

Installation Instructions

07-18 Jeep Wrangler JK &
JK Unlimited



IS-SR-866
Part Number
86623 &
86624

Sport Rack

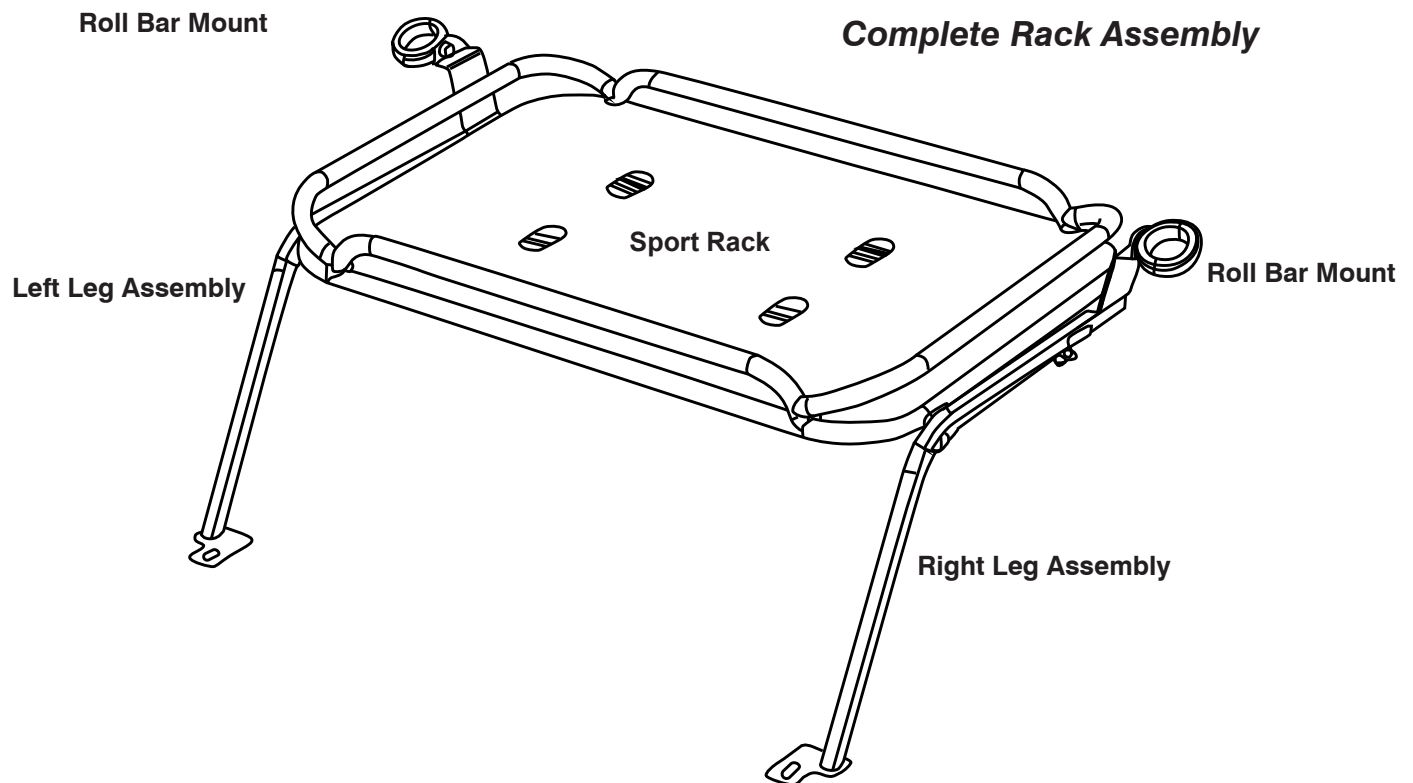
Important Safety Information



- To be used with Lund branded products only.
- Periodically check all components for tightness.
- The Sport Rack is rated for 75 lbs max and should not be used for carrying passengers.
- Always tie in items carried in the rack to ensure safety.

Contents

1	Sport Rack	2	Nylock Hex nut
1	Left leg assembly	6	Large Flat Washer
1	Right leg assembly	2	Small Hex bolt/washer/lock/washer
1	Left roll bar mount	2	Roll bar clamps
1	Right roll bar mount	4	Allen head bolts
1	Gas strut	4	Allen Wrench (1 large, 1 small)
2	Hex Bolt		

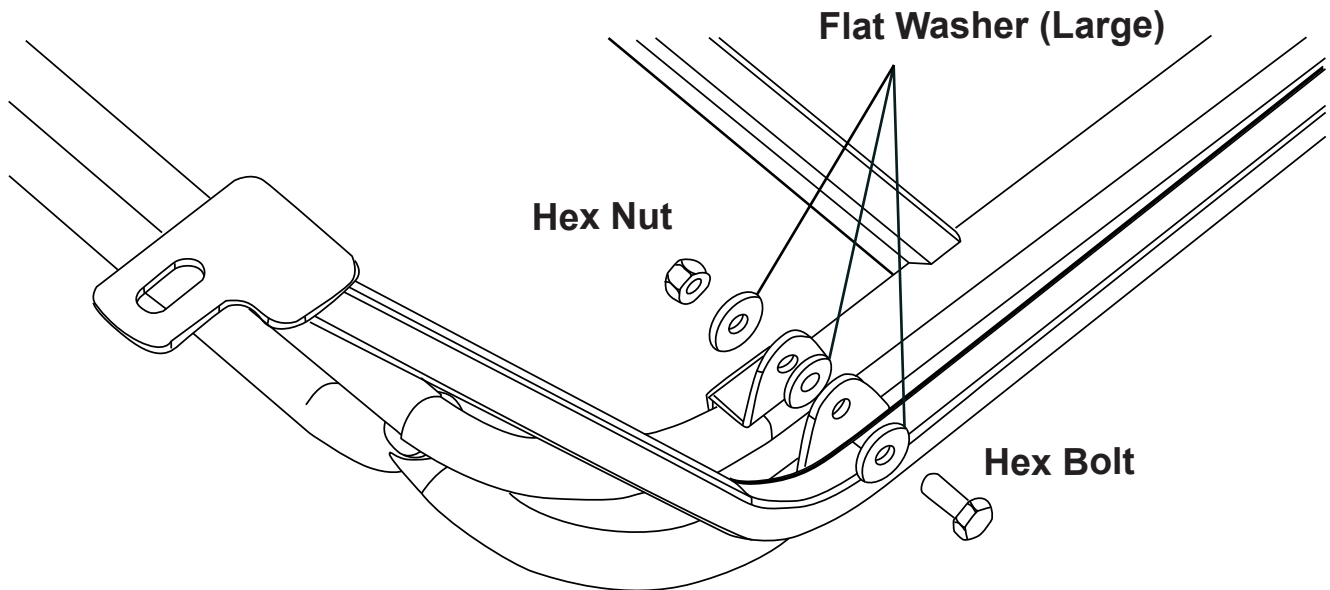
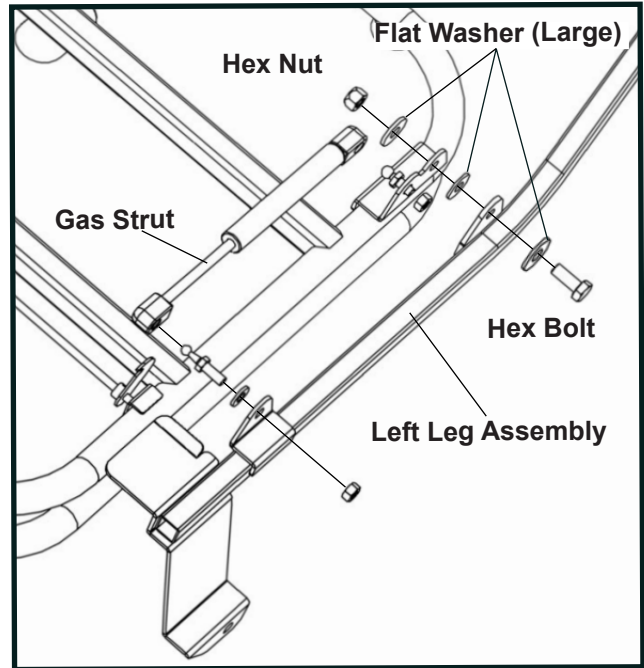


Description and Operation:

The Rampage Sport Rack is intended to provide useful storage and tie down points for carrying light loads in the rear of the vehicle. It provides a folding function to allow carrying tall items as needed. The folding mechanism is assisted by a gas strut that holds the rack in the up position and a spring loaded handle to release the dual latch assembly.

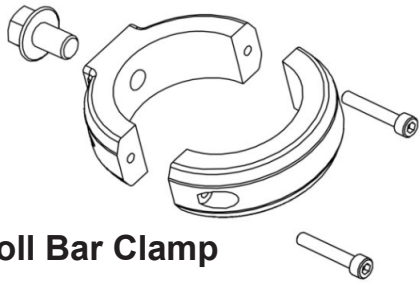
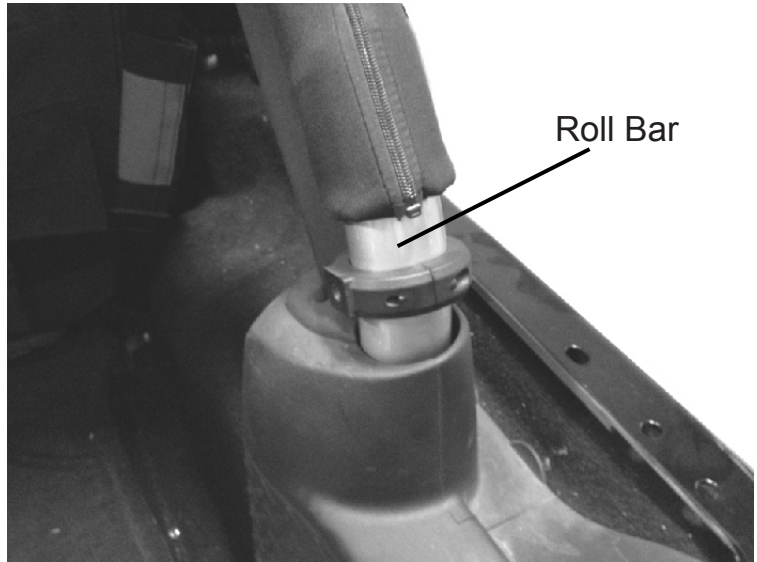
Installation Instructions

Begin by installing the leg assemblies onto the rack body. Be sure to use the three large flat washers as shown in the diagrams. These will help to eliminate rattles after the installation is complete. Do not over tighten the hex nut/bolt. Leave loose enough to allow the leg to pivot but tight enough to keep the legs in position on the latch assembly. Install the gas strut as shown.



Installation Instructions

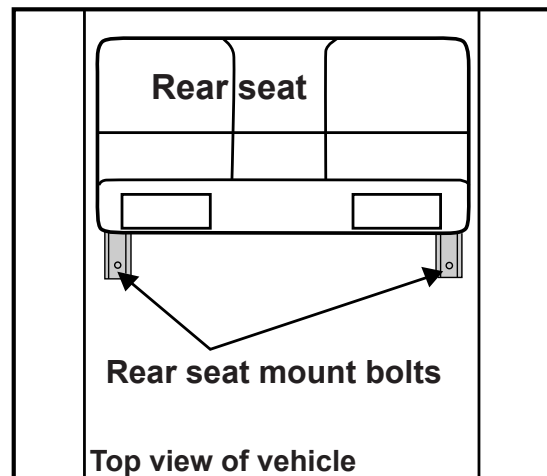
Install the roll bar mounts onto the left and right side roll bar as shown to the right. Use the included Allen wrench to tighten the bolts. Leave the bolts loose enough to adjust the height of the rack once installed.



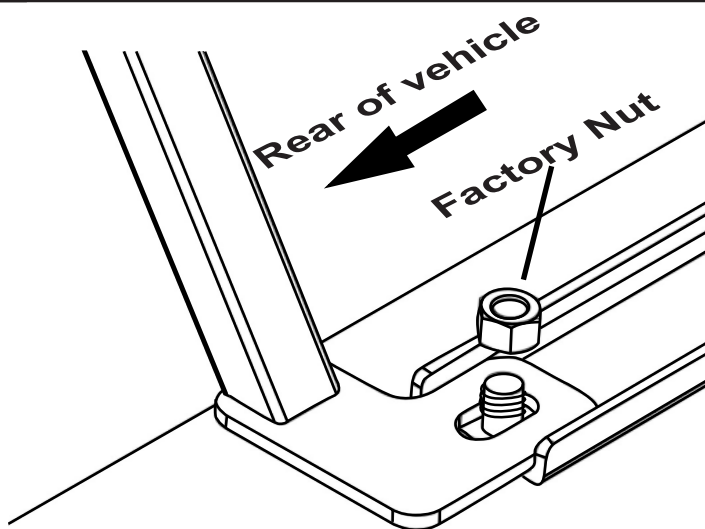
Roll Bar Clamp

2

Locate and remove the nuts from the studs on the rear seat mounts as shown to the right.



3



4

Open the rear door and fold down the rear seats. With a helper, insert the assembled rack through the tailgate door and onto the studs in the floor as shown to the left. Re-install the factory nuts to secure.

NOTE: It may be necessary to adjust the feet to get a correct fit for the latches on the roll bar mounts in the next steps.

Installation Instructions



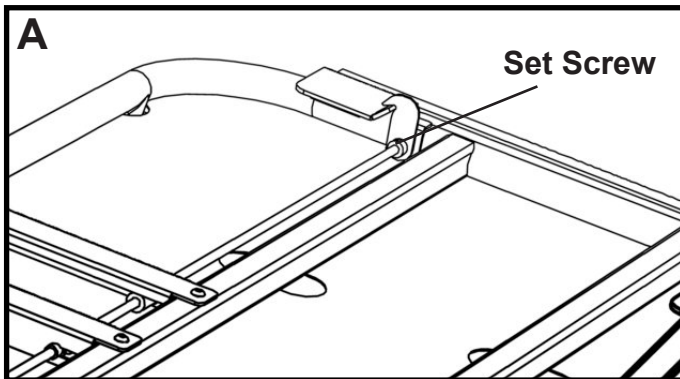
Now install the leg assemblies to the roll bar clamps with the small hex nut/lock washer/flat washer as shown. Once installed tighten the factory rear seat nuts.

NOTE: Use the clamps to adjust the height of both legs assemblies so the rack sits flat on both padded platforms of the leg assemblies. Tighten the clamps.

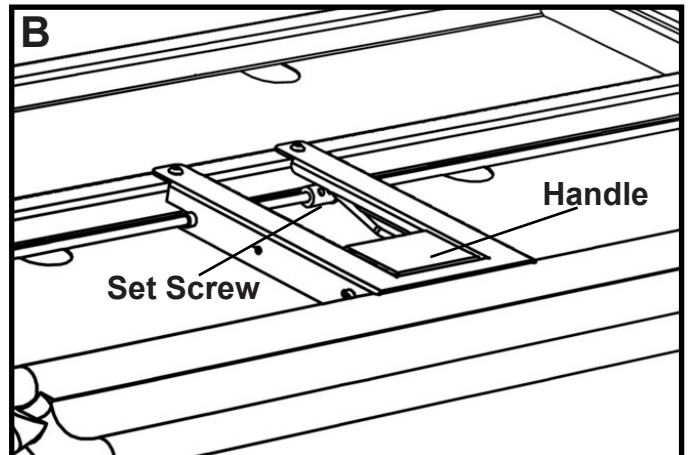
5

Adjust of latch and handle

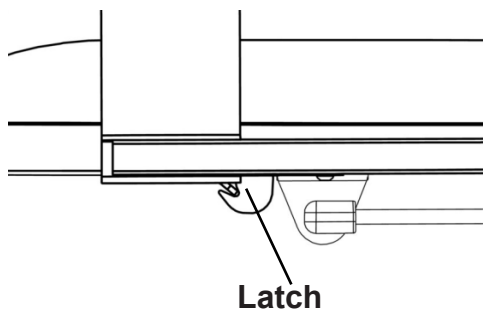
Adjust the latch as needed to achieve the fit shown in the illustrations below (A). Use the included Allen wrench to tighten the set screws.



If the handle assembly loosens up, use the included Allen wrench to adjust and tighten the set screws on the collars securing the latch rods as shown in the illustration below (B).



Side View



6



****Shown with available Freedom Top Storage Bag.**

Congratulations!

You have purchased one of the many quality Rampage branded products offered by Lund International, Inc. We take the utmost pride on our products and want you to enjoy years of satisfaction from your investment. We have made every effort to ensure that your products is top quality in terms of fit, durability, finish and ease of installation.

