

Installation Instructions



Rock Rail Short Steps

Important Safety Information



- To be used with Rampage branded products only.
- Do not stand on running board or bracket while vehicle is in motion.
- Do not use the brackets as a jacking point for the vehicle.
- Do not use the bracket system or running boards to fasten cargo.
- Periodically check all components for tightness.
- Be sure to wear safety glasses while installing brackets.
- When using power tools, read and understand all operating instructions.

Contents- 2 Piece Set **NOTE:** Actual product may vary from illustration.



(2) Rock Rail Short Steps



(8) M8 flat washer



(4) Nut Plate



(8) M8x30 Hex Bolt



(8) M8 lock washer

Contents- 4 Piece Set **NOTE:** Actual product may vary from illustration.



(4) Rock Rail Short Steps



(16) M8 flat washer



(8) Nut Plate

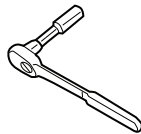


(16) M8x30 Hex Bolt



(16) M8 lock washer

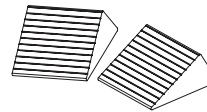
Tools Required



Ratchet and Extension



Socket Set



Wheel Chocks



Safety Glasses

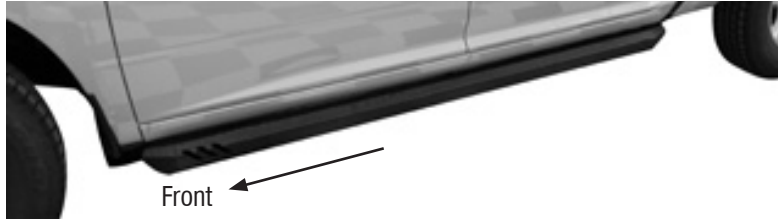
Preparation Before Installation

- Park your vehicle in a clean, level location. Check to make sure the vehicle is in park, or for manual drive models, place the transmission in first gear. Engage the parking brake. Chock wheels.
- Unpack the kit and identify the parts according to the content descriptions.
- An assistant is recommended to help position the running board properly during the installation.

Installation Steps **NOTE: Actual application may vary slightly from illustrations.**

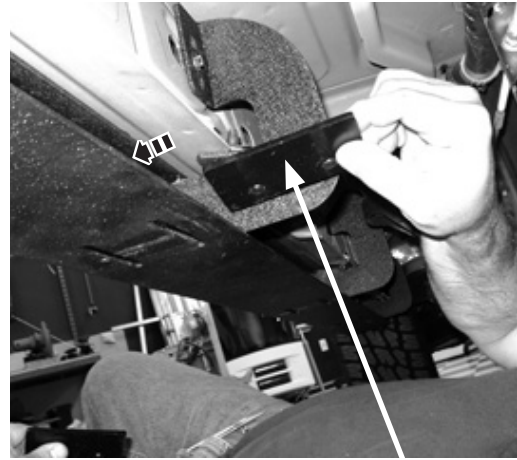
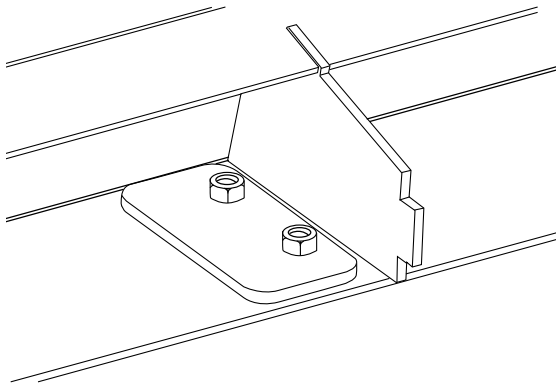
Identify the mounting locations for each bracket by looking under the driver side of the vehicle and finding the slots in the previously installed primary running board. Note which holes correspond with the slots in the running boards.

1



Beginning at the driver side rear, slide a nut plate in place with the nuts facing upward. Align the holes in the nut plate with the slots in the running board.

If nut plate is contacting mounting bracket or gusset flip so short side is adjacent to bracket or gusset to maximize adjustability. (See Picture)



2

Align holes in nut plate with slots in board.

Insure holes in the nut plate are visible through slots in running board



Align slots in step with nut plate behind running board. Insert bolt with washers to secure in place. (4) Fasteners per step. Do not tighten at this point.



3

4

Auxillary running board aligned with previously installed primary running board and bolt plate.

Installation Steps

NOTE: Actual application may vary slightly from illustrations.

Repeat **Steps 1 thru 4** for remaining short steps.



5

Adjust steps to desired position and tighten fasteners to 18-20 lb-ft.



6

Inspection After Installation

- Inspect all bolts and nuts for proper tightness.

Care and Cleaning

- Wash only with mild soap & dry with a clean cloth.
- Do not use cleaning solvents of any kind.

Congratulations!

You have purchased one of the many quality Rampage branded products offered by Lund International, Inc. We take the utmost pride in our products and want you to enjoy years of satisfaction from your investment. We have made every effort to ensure that your product is top quality in terms of fit, durability, finish and ease of installation.