

# IMF85-ST



## 2021+ Ford Bronco Installation Instructions Also online [www.rallyarmor.com](http://www.rallyarmor.com)

Does Not Fit Bronco Raptor or Sport













Manufacturer warranty covers material defects on new, never installed parts. Once installed, all mud flap replacement part costs are the responsibility of the vehicle owner. Caution against blind spots during parking. Avoid curbs and excessive compression to the flaps. Check stock and aftermarket wheel/suspension clearances.

**INSTALLATION QUESTION? FOR REPLACEMENT PART QUOTES, SEND FLAP RECEIPT OR PHOTO → [www.rallyarmor.com/support](http://www.rallyarmor.com/support)**

**Recommended Tools** Low-profile offset, ratcheting, flat & Phillips screwdrivers, 10mm & 11mm wrenches, pick.

**ONLY install on even surface using hand tools, not powered tools. AVOID OVERTIGHTENING HARDWARE.**

**ABOUT OUR STANDARD IN MUD FLAPS** Polyurethane is a high grade plastic that may feature minor surface layer marks. These are visual variations that don't affect flap construction or performance. Most matte away as the material ages over time.




<b>MF85 KIT CONTENTS CONFIRM ALL PARTS AND QUANTITIES BEFORE INSTALLATION</b>				
MUD FLAP KIT PN:	MF85	SEE PAGE 7 DRAWINGS	PART DESCRIPTION	QUANTITY
	MF85-LF-TOP		LEFT FRONT TOP	1
	MF85-LF-BOT		LEFT FRONT BOTTOM	1
	MF85-RF-TOP		RIGHT FRONT TOP	1
	MF85-RF-BOT		RIGHT FRONT BOTTOM	1
	MF85-LR-TOP		LEFT REAR TOP	1
	MF85-LR-BOT		LEFT REAR BOTTOM	1
	MF85-RR-TOP		RIGHT REAR TOP	1
	MF85-RR-BOT		RIGHT REAR BOTTOM	1
BRACKET KIT PN:	BMF85	SEE PG 6		
	BMF85-FRT		BRACKET FRONT	2
	BMF85-LR		BRACKET LEFT REAR	1
	BMF85-RR		BRACKET RIGHT REAR	1
HARDWARE KIT PN:	HMF85-ST	SEE PG 6		
	.75SP		SPACER	4
	1SS		SCREW	4
	2SS		LONG SCREW	4
	632.5SS		MACHINE SCREW	4
	BLKNUT		NUT	20
	HXBLT		BOLT	20
	POLCLP		CLIP	8

# IMF85-ST

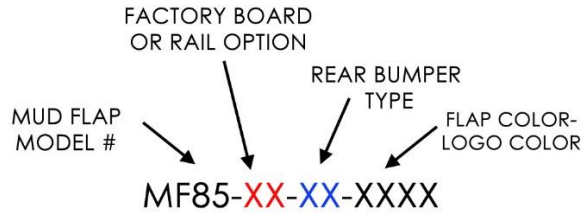


## 2021+ Ford Bronco Installation Instructions Also online [www.rallyarmor.com](http://www.rallyarmor.com)

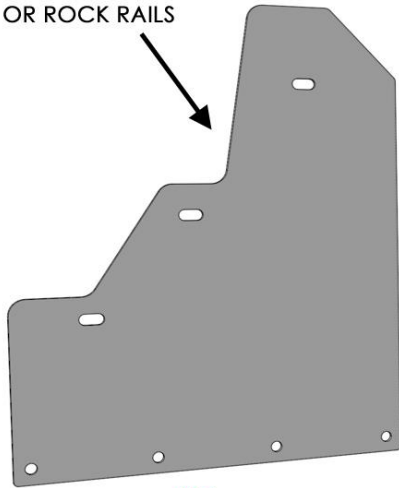
Does Not Fit Bronco Raptor or Sport

SMF29-3		FOAM SPACER	2
SMWASH		WASHER	54
SSLNUT		LOCK NUT	6

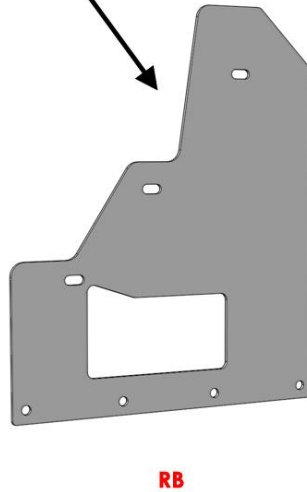
Rally Armor mud flap kits are specific to Bronco factory equipped options and rear bumper types. Factory equipped running boards, rock rails, not equipped with boards or rails and whether plastic or steel rear bumper is as shown in the part #.



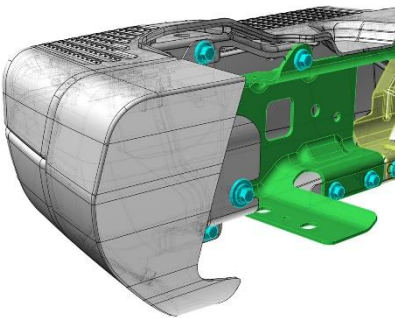
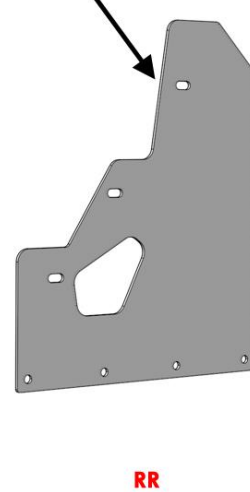
NO RUNNING BOARDS OR ROCK RAILS



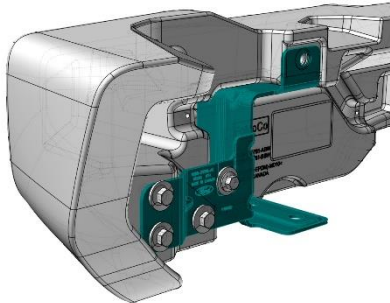
FACTORY RUNNING BOARDS



FACTORY ROCK RAILS

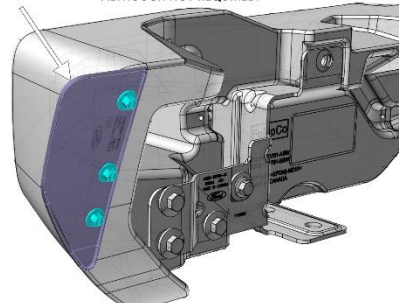


STEEL BUMPER = **ST**



PLASTIC BUMPER = **PL**

BUMPER END CAP CAN BE REMOVED & INSTALLED THROUGH MUD FLAP ALTHOUGH NOT REQUIRED.



PLASTIC BUMPER = **PL**

# IMF85-ST



## 2021+ Ford Bronco Installation Instructions Also online [www.rallyarmor.com](http://www.rallyarmor.com)

Does Not Fit Bronco Raptor or Sport

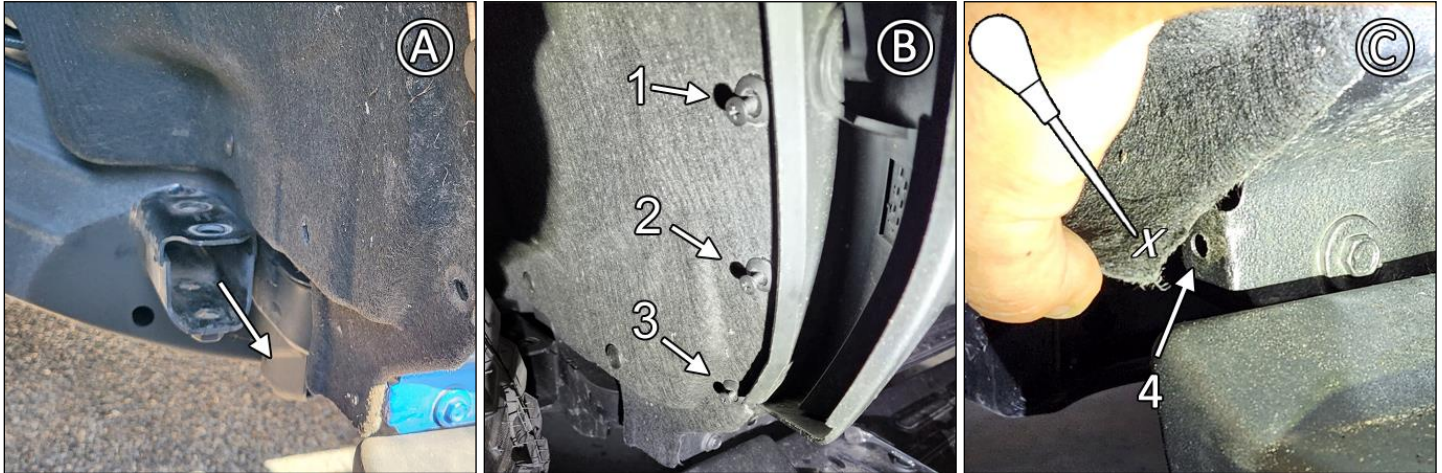
### FRONT MUD FLAP Access interior wheel well by turning steering wheel towards the installation side.

**Bracket/Hardware 1 FLAP → 1 x BMF85-FRT; 2 x .75SP; 2 x 1SS; 2 x 2SS; 5 x BLKNUT; 5 x HXBLT; 4 x POLCLP; 1 x SMF29-3; 14 x SMWASH**

**IMAGE A** If equipped with crash bar, temporarily uninstall to access wheel well.

**IMAGE B** Remove liner fasteners 1 - 3.

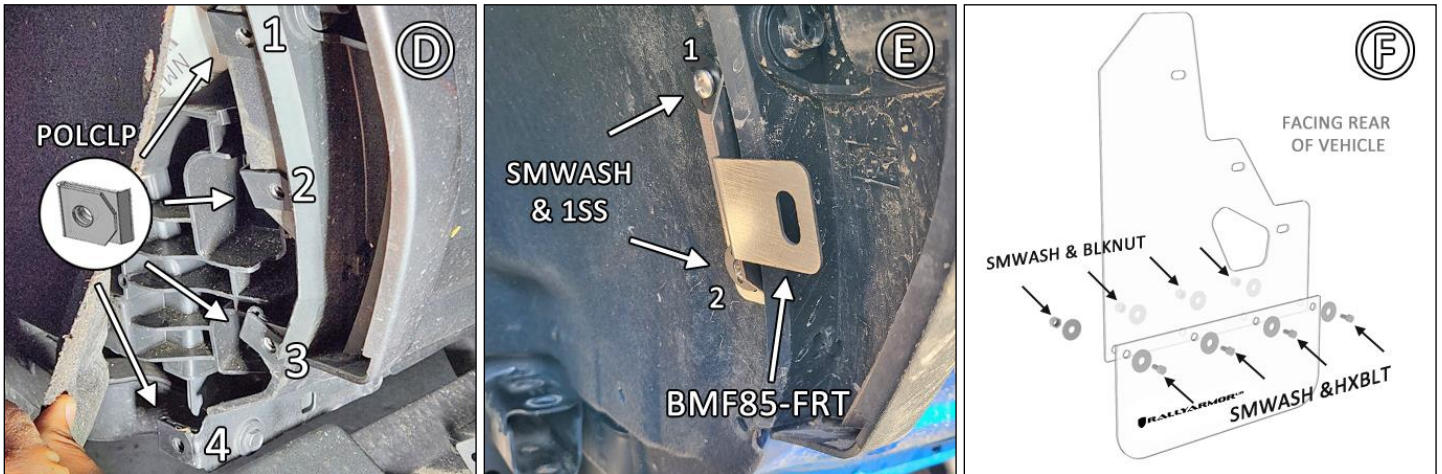
**IMAGE C** To access mount 4 located behind liner cover, create hole in liner with an awl or pick.



**IMAGE D** Install POLCLP onto mounts 1 – 4, then reinstall liner.

**IMAGE E** Mount SMWASH and 1SS into BMF85-FRT mounts 1 and 2.

**IMAGE F** Position bottom flap MF85-LF/RF-BOT over top MF85-LF/RF-TOP mounting holes. Assemble using SMWASH and HXBLT on logo-side and SMWASH and BLKNUT on tire-side.



# IMF85-ST



## 2021+ Ford Bronco Installation Instructions Also online [www.rallyarmor.com](http://www.rallyarmor.com)

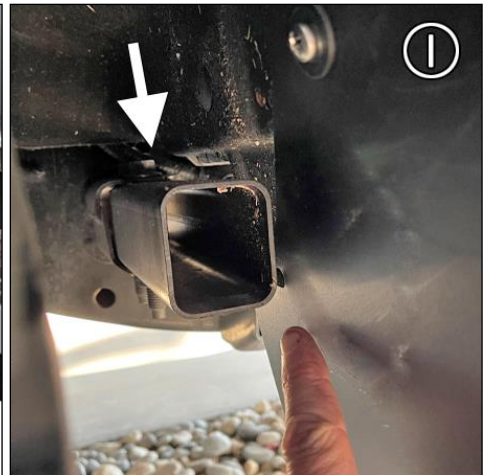
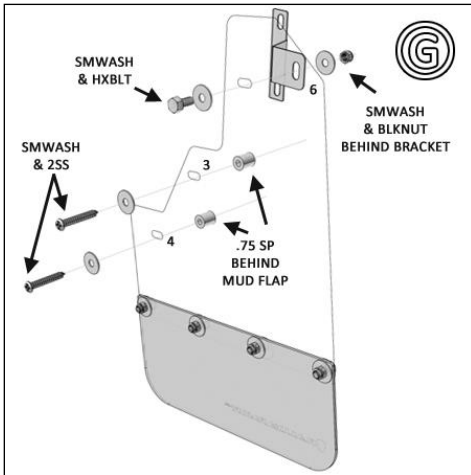
Does Not Fit Bronco Raptor or Sport

**IMAGE G** Install SMWASH and HXBLT through logo-side of flap and bracket mount 6. Use SMWASH and HXBLT on tire-side mount 6. Place .75SP BEHIND mud flap mounts 3 and 4. SMWASH and 2SS mounts logo-side into 3 and 4.

**IMAGE H** Ensure flap is parallel. Adjust preferred width before tightening washers flush against flap.

Do not overtighten. **Optional** - Adhere SMF29-3 onto flap contact points to factory rock rail or running board.

**IMAGE I** If removed, reinstall crash bar.



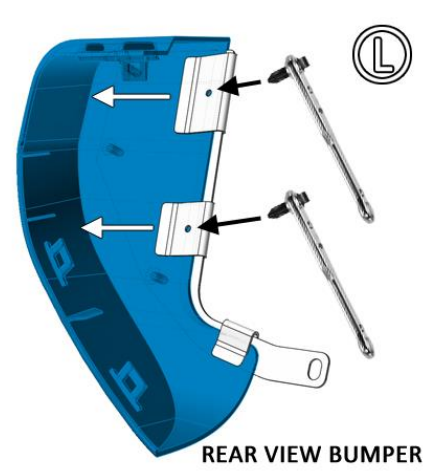
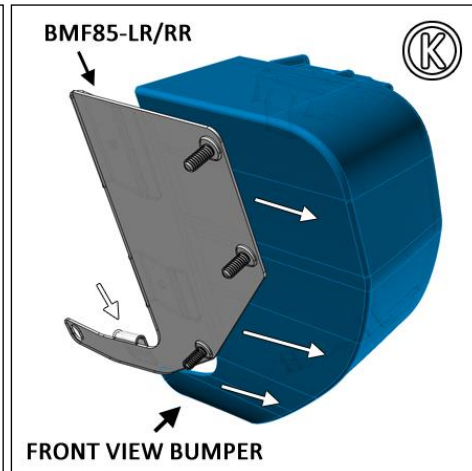
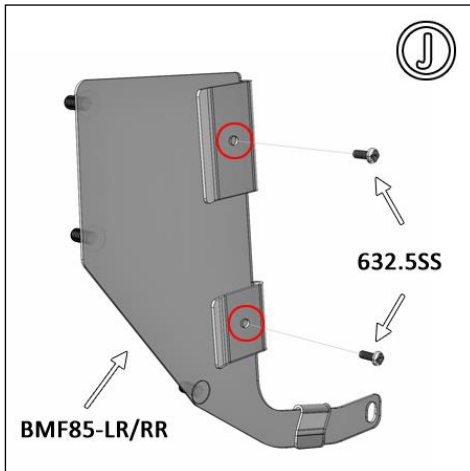
## REAR MUD FLAP

**Bracket/Hardware 1 FLAP → 1 x BMF85-LR/RR; 2 x 632.5SS; 5 x BLKNUT; 5 x HXBLT; 13 x SMWASH; 3 x SSLNUT**

**IMAGE J** Thread two 632.5SS screws into bracket tabs.

**IMAGE K** Install BMF85 bracket by sliding over bumper cap until both tabs are flush.

**IMAGE L** Use a low-profile ratcheting screwdriver to tighten 632.5SS screws just until tip meets bumper cap. Do not fully tighten.



# IMF85-ST



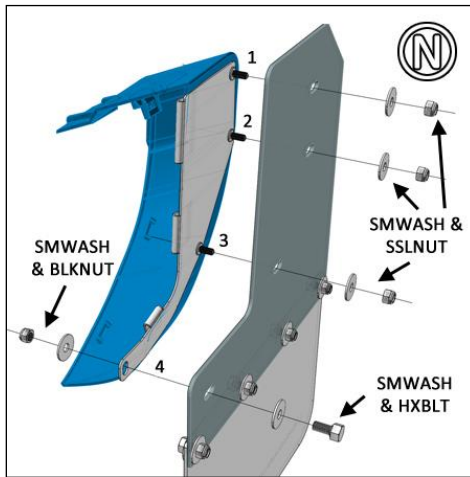
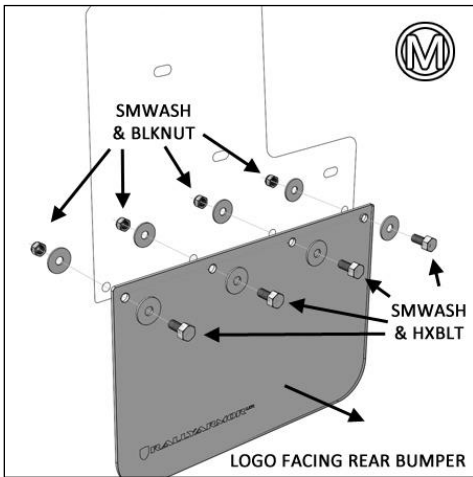
## 2021+ Ford Bronco Installation Instructions Also online [www.rallyarmor.com](http://www.rallyarmor.com)

Does Not Fit Bronco Raptor or Sport

**IMAGE M** Position bottom flap MF85-LR/RR-BOT over top MF85-LR/RR-TOP mounting holes. Assemble using SMWASH and HXBLT on logo-side and SMWASH and BLKNUT on tire-side.

**IMAGE N** Logo-side of mud flap facing rear bumper, install SMWASH and SSLNUT onto mounts 1 - 3. Use SMWASH and HXBLT for mount 4. Secure tire-side of flap with SMWASH and BLKNUT.

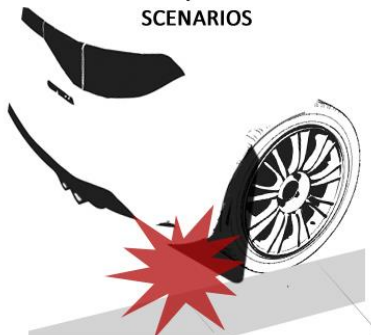
**IMAGE O** Ensure flap is parallel to ground. Adjust preferred width before tightening washers flush against flap and 632.5SS screws.



**ALWAYS TEST COMPATIBILITY WITH YOUR SPECIFIC WHEEL, TIRE AND SUSPENSION COMBINATION**



**ALWAYS USE CAUTION DURING PARKING/REVERSAL SCENARIOS**



**CLEANING INSTRUCTIONS: USE WATER AND SOFT CLOTH TO CLEAN FLAPS. AVOID SOLVENT BASED CLEANERS**



# IMF85-ST



## 2021+ Ford Bronco Installation Instructions Also online [www.rallyarmor.com](http://www.rallyarmor.com)

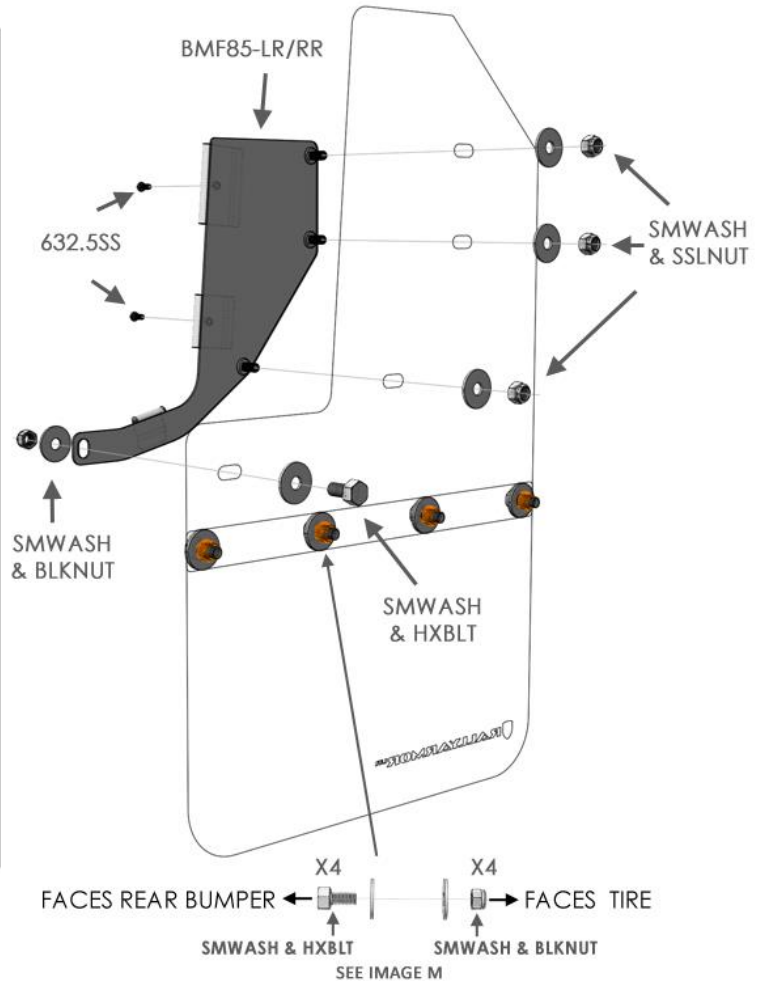
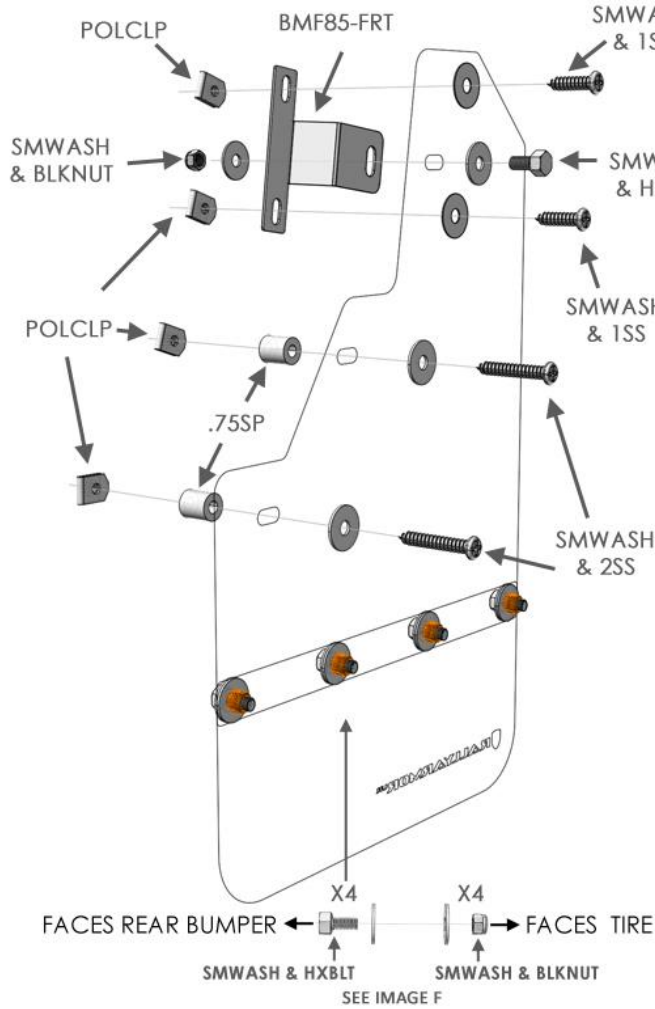
Does Not Fit Bronco Raptor or Sport

### MOUNTING DIAGRAM

- MF85-NO-ST
- MF85-RB-ST
- MF85-RR-ST

FRONT

REAR



# IMF85-ST



## 2021+ Ford Bronco Installation Instructions Also online [www.rallyarmor.com](http://www.rallyarmor.com)

Does Not Fit Bronco Raptor or Sport

