



2017+ HONDA CIVIC LX, EX, EX-L HATCHBACK MUD FLAP INSTALLATION INSTRUCTIONS

View instructions and photos online www.rallyarmor.com

CARE AFTER INSTALLATION Once installed, the vehicle owner is responsible for the condition of the mud flaps and all costs associated with replacing damaged or lost parts. Warranty covers manufacturer defect on new, never installed parts.

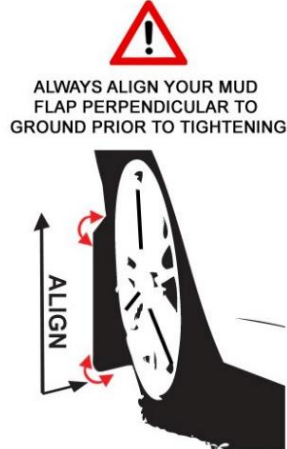
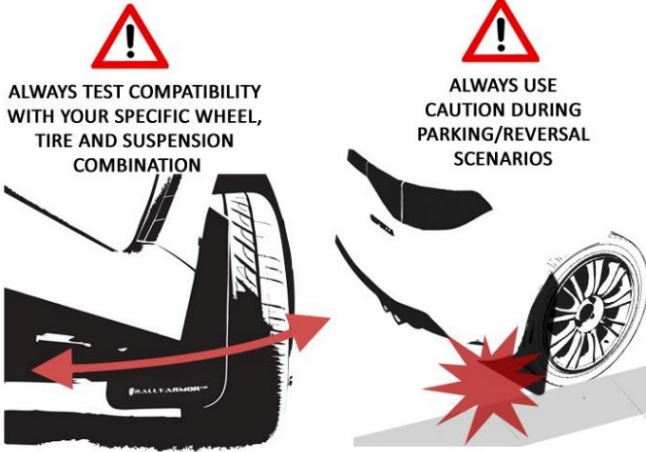
⚠ Watch for blind spots when parking ⚠ Avoid contact with curbs, bumps and objects that can compress the flaps with excessive force. Be sure to check wheel clearances, especially on vehicles equipped with aftermarket wheels and suspensions.

QUESTION ON INSTALLATION? CONTACT US ONLINE www.rallyarmor.com/support

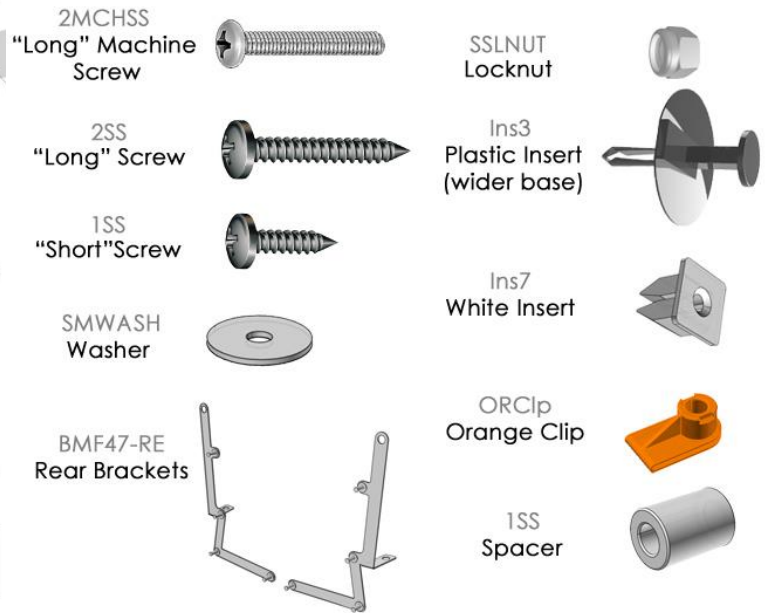
NEED TO PURCHASE REPLACEMENT PARTS? SEND RECEIPT OR PHOTO OF RALLY ARMOR LOGO ON FLAPS TO US www.rallyarmor.com/support

IMPORTANT NOTES

INSTALLATION KIT CONTENTS



QUANTITY	PART	ITEM ID
10	Stainless Steel Locknut	SSLNUT
2	"Long" Stainless Steel Screw	2SS
2	"Short" Stainless Steel Screw	1SS
28	Washer	SmWash
2	Black Insert (Wider Base)	Ins3
2	White Insert	Ins7
4	Orange Clip	OrClip
2	Rear Bracket	BMF47-RE
4	Plastic Spacer	1SP
2	Long Stainless Steel Machine Screw	2MCHSS



Recommended Tools Low-profile, ratcheting offset or stubby Phillips screwdriver, small flathead screwdriver, pick, 7/16" wrench, panel removal tool. **Important Tips** Installation should be done on an even surface. The hardware self-threads so avoid overtightening.

RALLY ARMOR - A BIT ABOUT OUR STANDARD IN MUD FLAPS

Rally Armor mud flaps are fabricated from a high grade polyurethane plastic that is rigorously reviewed for quality and consistency. As with all manufacturing processes, controlled conditions and multiple QC checkpoints minimize major irregularities, however certain very minor surface layer marks appear periodically. These are visual variations that do not affect construction nor do they impede the performance of the flaps. Most matte away as the material ages naturally with continued exposure to the outdoors. Each flap is unique in appearance yet all are equally structurally sound.

2017+ HONDA CIVIC LX, EX, EX-L HATCHBACK MUD FLAP INSTALLATION INSTRUCTIONS

FRONT MUD FLAP INSTALLATION

Original Factory Fasteners → Hardware for 1 Front Flap: 4 x SMWASH; 1 X 1SS; 1 x 2SS; 1 x 1SP; 1 x INS3

Turn the steering wheel towards the side you are working on to gain access to the inner wheel well area.

FIGURE A A-1 Use a pick to press inner pin of the retainer. Remove the outer retainer with panel removal tool. **A-4** Remove inner fender liner fastener. **A-2-3** Unscrew, remove and set aside OEM retainer screws 2 and 3 for later. You will re-use them to complete installation.

FIGURE B Pull liner away. Install White Insert INS7 fastener in the upper square mounting hole. Remove existing mounting clip. Install Orange Clip (OrClip) over the lower mounting point #3. Re-install liner making sure the clip does not shift in the process.

FIGURE C Remove and discard the inner portion from the base of Insert INS3. Place Long Screw (2SS) into Washer (SmWash) through innermost mounting point of mud flap into a Spacer (1SP) then thread into INS3 Insert.



FIGURE D INS3 Insert assembly goes into mounting point 4. It should be firmly seated against the liner. Hold female base portion of insert securely against liner to prevent it from spinning. Continue threading the Long Screw (2SS), keeping the Insert seated against liner during this process. Tighten until washer is *almost* seated against the flap. Do not fully tighten so you can adjust later.

FIGURE E Position the mud flap against the corresponding mounting points on the liner. Place factory or OEM screws through washers (SmWash) for mounting points 1,2. Place a Short Screw (1SS) into a Washer (SmWash) then thread into bottom mounting point 3.

FIGURE F Align the outer edge of the flap by making slight angle adjustments. Walk away from the vehicle to observe the position. After the flap is even with the ground, tighten all mounting screws until just seated against the mud flap. **Avoid overtightening.**



2017+ HONDA CIVIC LX, EX, EX-L HATCHBACK MUD FLAP INSTALLATION INSTRUCTIONS

REAR MUD FLAP INSTALLATION

Prepare 1 x BMF47 left or right side. Hardware for 1 rear flap → 1 x INS5; 4 x SSLNUT; 9 x SMWASH, 1 x 1SP, 1x 2MCHSS, 1 x SSLNUT

FIGURE G. From the side you are installing on, remove OEM retainer (1) and underbody fastener (2), push away factory fabric liner retainer (3). Separate female from male portion of the fasteners first, then remove the entire assemblies. Set them aside for reinstallation later.

FIGURE H Remove the front most rear valance-to-bumper retainer clip.

FIGURE I Per Figure I, create a slight curve into Rear Bracket (BMF47-RE). Avoid overarching it beyond the bumper's side profile.



FIGURE J As shown in J, gently create a curve by pressing the bracket's innermost rear section close to the liner after it's installed. Do this gradually so you don't extend the curve beyond the liner. The intent is to fill the gap by bringing the part close to the liner.

FIGURE K Install bracket over the bumper valance with a Machine screw (2MCHSS) through Washer (SMWASH) into bracket mount then fill gap with 2 Small Washers and 1 Spacer (1SP). Fasten the assembly using a lock nut (SSLNUT) and Small Washer (SMWASH) under the valance, tightening fully only after all adjustments are made.

FIGURE L The bracket needs to clear the liner so mark the point where it touches the liner then cut the fabric about ½" lengthwise.

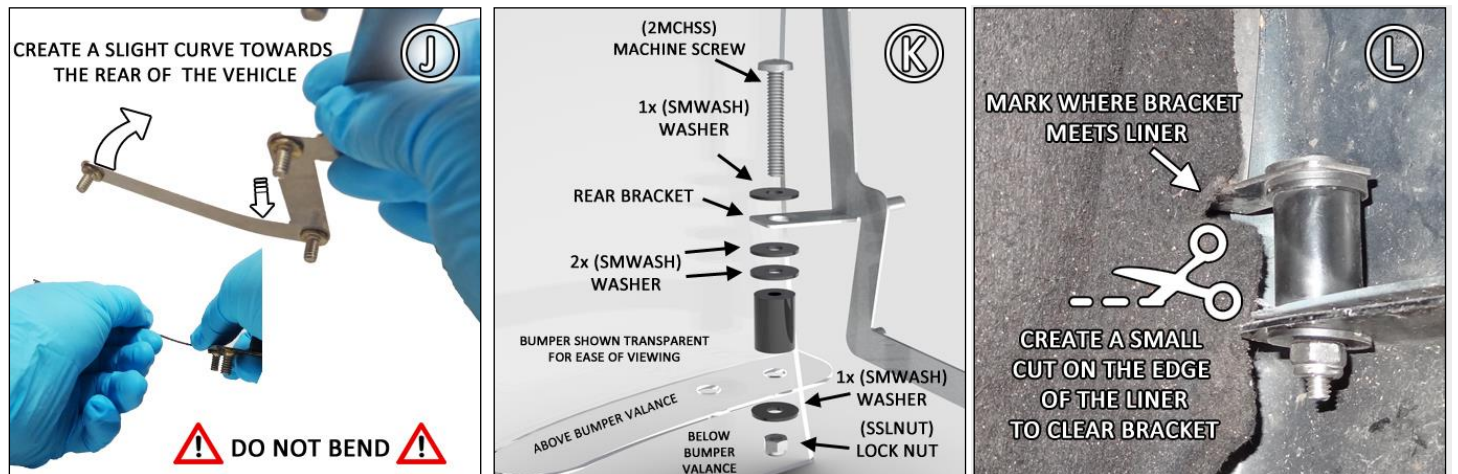
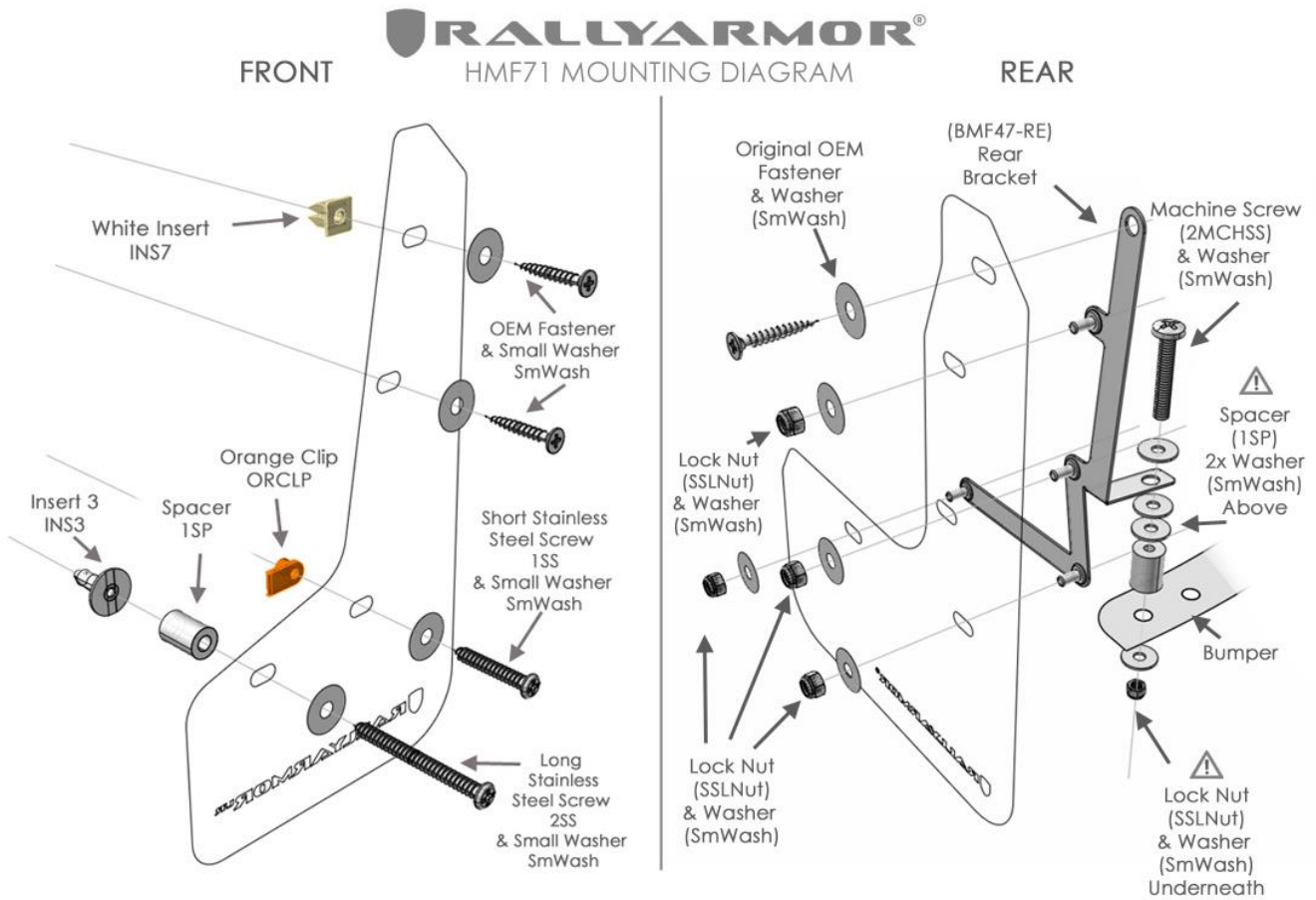


FIGURE M The upper portion of the bracket installs between bumper and liner. The lower bracket area requires adjustment by carefully curving the lower mount forward then backward until it seats and nests flap properly. Avoid overextending the bend.

FIGURE N Position the mud flap with the logo facing the rear of the vehicle against corresponding mounting points on the bracket. Place factory OEM screw through Small Washer (SmWash) and fasten the topmost mount, as shown in Figure N. The remaining mounts use Locknuts (SSLnut) to secure the flap to the Bracket. Loosely hand thread Locknuts over Small Washers.

2017+ HONDA CIVIC LX, EX, EX-L HATCHBACK MUD FLAP INSTALLATION INSTRUCTIONS

FIGURE O Align outer edge of the flap by making small angle adjustments to the flap then walk away to make sure it's even with the ground. Tighten all hardware only until seated against mud flap.



Content and images are copyright of Rally Armor® LLC