

## 2019+ Hyundai Veloster 2.0, Premium, Turbo, R-Spec Mud Flap Installation Instructions

View instructions and photos online [www.rallyarmor.com](http://www.rallyarmor.com) – WILL NOT FIT VELOSTER N EQUIVALENT.

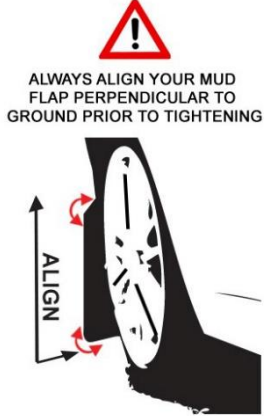
**CARE AFTER INSTALLATION** Once installed, the vehicle owner is responsible for the condition of the mud flaps and all costs associated with replacing damaged or lost parts. Warranty covers manufacturer defect on new, never installed parts.

⚠ Watch for blind spots when parking ⚠ Avoid contact with curbs, bumps and objects that can compress the flaps with excessive force. Be sure to check wheel clearances, especially on vehicles equipped with aftermarket wheels and suspensions.

QUESTION ON INSTALLATION? CONTACT US ONLINE [www.rallyarmor.com/support](http://www.rallyarmor.com/support)

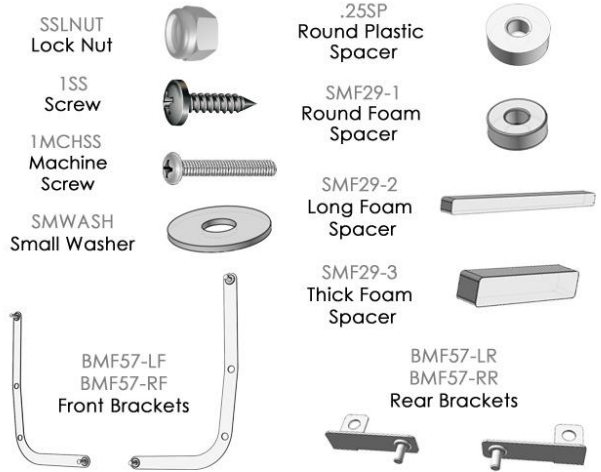
NEED TO PURCHASE REPLACEMENT PARTS? SEND RECEIPT OR PHOTO OF RALLY ARMOR LOGO ON FLAPS TO US [www.rallyarmor.com/support](http://www.rallyarmor.com/support)

### IMPORTANT NOTES



### INSTALLATION KIT CONTENTS

QUANTITY	PART	ITEM ID
6	Stainless Steel Lock Nut	SSLNUT
4	Stainless Steel Screw	1SS
18	Small Washer	SMWASH
2	Machine Screw	1MCHSS
4	Round Plastic Spacer	.25SP
4	Round Foam Spacer	SMF29-1
6	Long Foam Spacer	SMF29-2
2	Thick Foam Spacer	SMF29-3
2	Front Bracket Left Front & Right Front	BMF57-RF BMF57-LF
2	Rear Bracket Left Rear & Right Rear	BMF57-LR BMF57-RR



**Recommended Tools** offset or ratcheting screw driver, 7/16<sup>th</sup> Wrench.

**Important Tips** Installation should be done on an even surface. Do not use power tools to tighten hardware. Hand tools only. Avoid overtightening.

### RALLY ARMOR - A BIT ABOUT OUR STANDARD IN MUD FLAPS

Rally Armor mud flaps are fabricated from a high grade polyurethane plastic that is rigorously reviewed for quality and consistency. As with all manufacturing processes, controlled conditions and multiple QC checkpoints minimize major irregularities, however certain very minor surface layer marks appear periodically. These are visual variations that do not affect construction nor do they impede the performance of the flaps. Most matte away as the material ages naturally with continued exposure to the outdoors. Each flap is unique in appearance yet all are equally structurally sound.

## 2019+ Hyundai Veloster 2.0, Premium, Turbo, R-Spec Mud Flap Installation Instructions

### FRONT MUD FLAP INSTALLATION

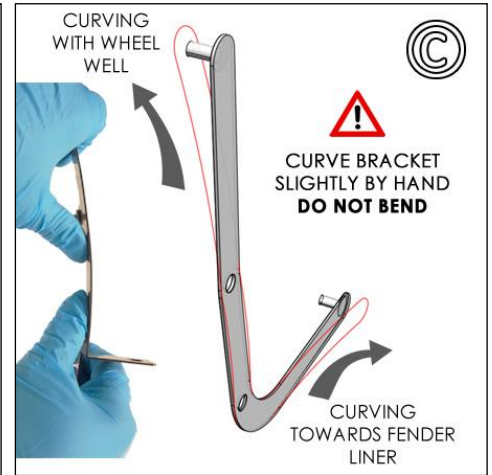
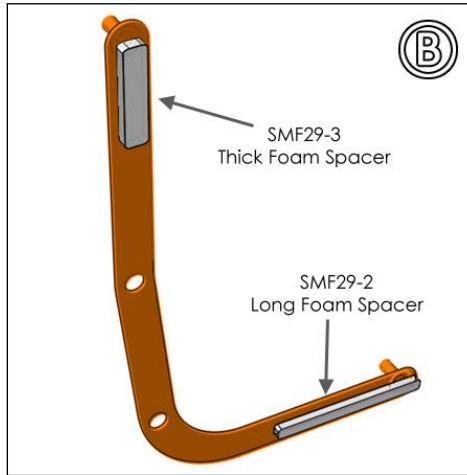
**Bracket & Hardware 1 x Front Flap → OEM Fasteners; 1 x BMF57-LF (RF); 3 x SMF29-2; 1 x SMF29-3; 4 x SMWASH; 2 x SSLNUT**

Turn the steering wheel towards the side you are working on to gain access to the inner wheel well area.

**FIGURE A** Remove and retain the 2 existing side skirt and wheel liner fasteners for re-installation later. Clean wheel well area.

**FIGURE B** Place a Long Foam Spacer SMF29-2 on the side of the lower bracket without the weld stud. Affix a Thick Foam Spacer SMF29-3 on the upper section bracket, again the side without the weld stud.

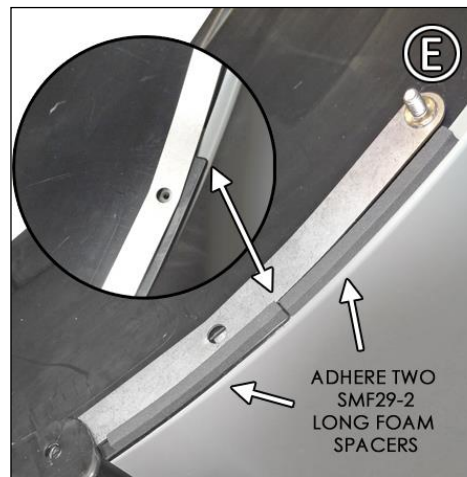
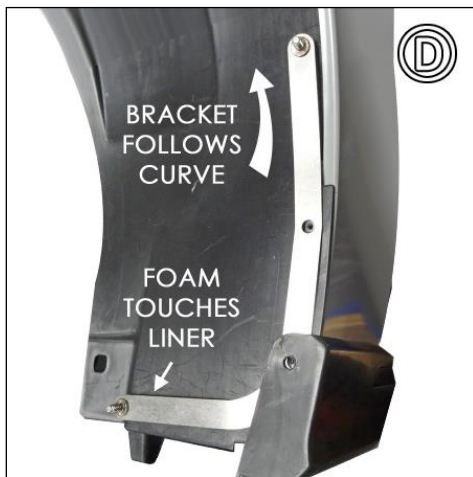
**FIGURE C** Subtly curve, do not bend aggressively, both ends of the bracket so the lower portion seats against the liner and the upper section follows the wheel well area curvature when mounted.



**FIGURE D** Place bracket against wheel well area with the lower portion placed underneath the side skirt as shown. Adjust until the mounting hole is visible through the side skirt mounting hole. Ensure that the foam spacer on the lower portion of the bracket is against the wheel well liner, and uppermost portion of the bracket contours the fender well as shown. Repeat Step C as needed. Upper bracket foam area does not need to touch wheel well.

**FIGURE E** For side skirt equipped vehicles, place 2 x Long Foam Spacer SMF29-2 against the wheel well and fender areas matching the outer perimeter of the fender and liner.

**FIGURE F** Place the mud flap with logo facing the rear of the vehicle against the corresponding mounting points on the bracket and fender. Re-install existing screws with washer on their respective mounting points. Install upper and lower lock nuts and washers through the mounting points on the mud flaps. Do not fully tighten. Adjust mud flap and tighten only until seated by hand.



**2019+ Hyundai Veloster 2.0, Premium, Turbo, R-Spec Mud Flap Installation Instructions**

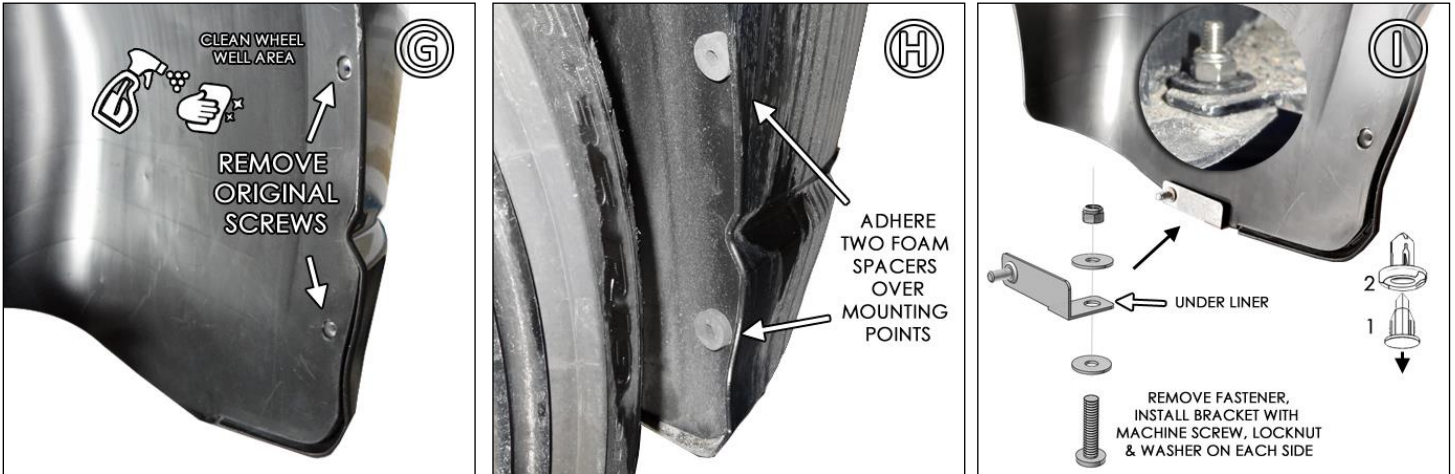
**REAR MUD FLAP INSTALLATION**

**Bracket & Hardware 1 x Rear Flap → OEM Fasteners: 1 x BMF57-LR or (RR); 2 x SSLNUT; 1 x 1MCHSS; 5 x SMWASH; 2 x 1SS; 2 x SMF29-1; 2 x .25SP**

**FIGURE G** Clean inner wheel well. Remove and retain the 2 rear factory screw fasteners.

**FIGURE H** Affix a Round Foam Spacer SMF29-1 over the 2 mounting points.

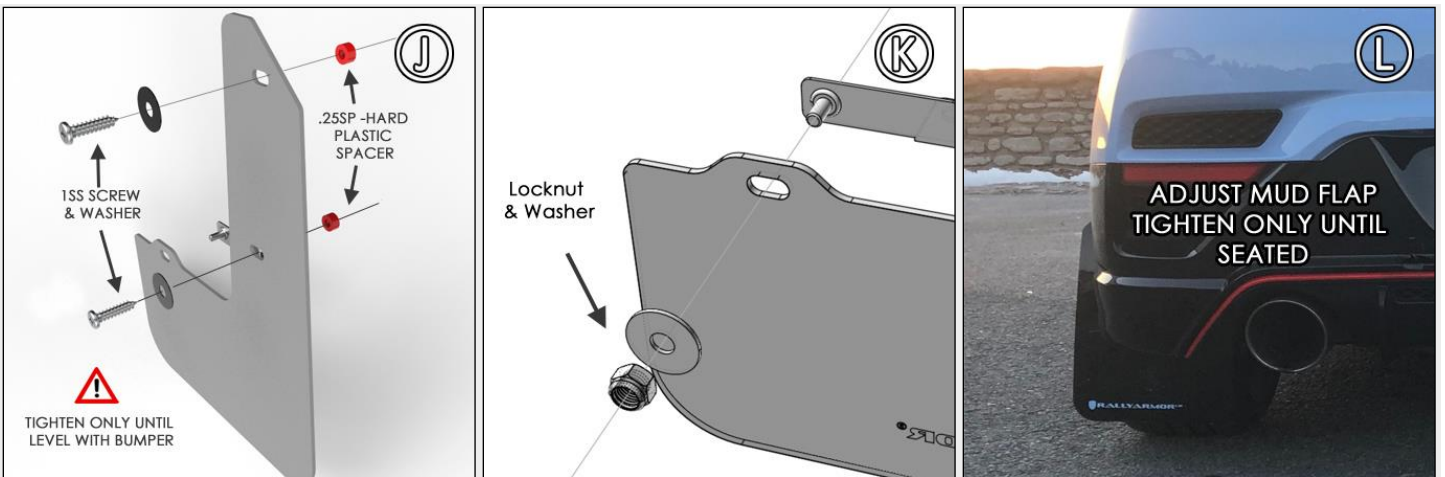
**FIGURE I** Remove lower wheel well liner fastener. Install Rear Bracket with Lock Nut, Small Washer and Machine Screw.



**FIGURE J** Install Stainless Steel Screw 1SS and Small Washer SMWASH through mud flap then through a Round Plastic Spacer .25SP and Foam Spacer for top 2 mounting points. **TIGHTEN ONLY UNTIL MUD FLAP IS LEVEL WITH BUMPER. Do not fully tighten.**

**FIGURE K** Working from the rear of the vehicle, secure inner portion of mud flap with a Lock Nut SSLNUT and Small Washer.

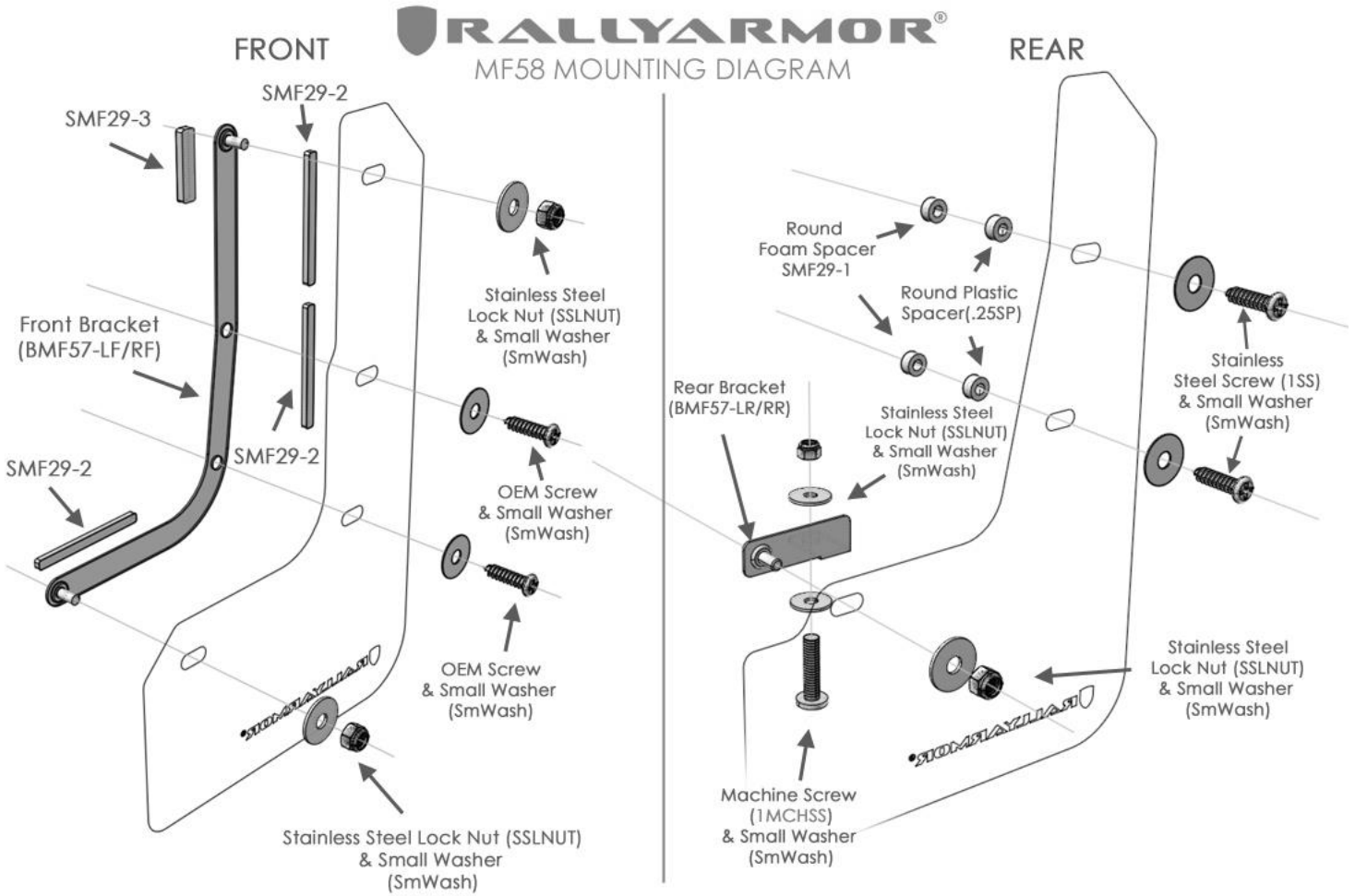
**FIGURE L** Align flaps by walking behind the vehicle and observing the angles then make slight adjustments before tightening all mounting screws by hand until fully seated.



# IMF58



## 2019+ Hyundai Veloster 2.0, Premium, Turbo, R-Spec Mud Flap Installation Instructions



Content and images are copyright of Rally Armor® LLC