

CAUTION

Only a qualified technician following applicable safety procedures should perform the installation of this product. One must have knowledge in repair and modification of fuel systems and general vehicle modifications to install this product.

Gasoline and other fuels are flammable and can be explosive.

Only install in a well-ventilated location to minimize buildup of fuel vapors.

No sparks, open flames, smoking or other ignition sources are to be present. Draining and removal of all fuel from the fuel system is recommended.

Proper eye and personal protection is required at all times during installation.

WARNING

The fuel system is under pressure! Do not loosen any connections until relieving the fuel system pressure.

Consult a service manual for instructions on relieving fuel pressure safely. This product is designed for off-highway and racing use only.

Fuel system components may not be legal for sale or use on emissions controlled motor vehicles. Consult local, state, and federal laws.

1. Disconnect the battery negative terminal. Allow the engine to cool before working with the fuel system. Place a rag on top of the firewall mounted fuel filter. Using a 12mm wrench, slowly loosen the banjo bolt one complete turn or until all fuel pressure is relieved.

Disconnect the 4 fuel injectors. Note that the wiring harness is specific to the firing order. If the wiring harness is removed, it must be reinstalled back onto the correct injectors.

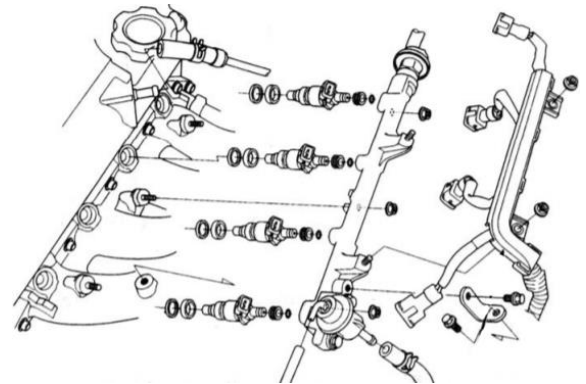
Disconnect any wiring, vacuum lines, and throttle body components interfering with the installation process.



2. Disconnect the feed hose and fuel pressure regulator (FPR) return hose. Catch all spilled fuel. Using a 10mm socket wrench, remove the 2 FPR bolts. These will not be reused. Carefully remove the FPR and do not lose the sealing O-ring.

Use a 10mm socket wrench to remove 5 OEM nuts securing the wiring harness and the fuel rail in place. Only the 3 fuel rail nuts will be reused.

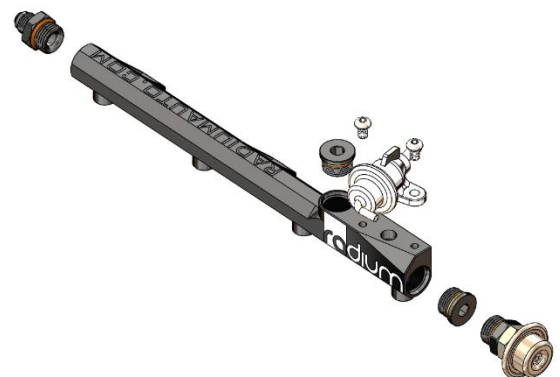
Remove the fuel rail and place onto a workbench. Cautiously pull and twist to remove the injectors. Note: Drain excess fuel into a safe container for disposal. Inspect the injector seals and clean out any dirt or debris found in the intake manifold injector seat bores.



3. The 20-0370-02 fuel rail does not include adapters, fittings, hoses, etc. However, 20-0370-PK can be purchased separately.

For 20-0370-00 and 20-0370-PK, install the 6AN male adapter into the inlet port and the plugs into the remaining 8AN ORB ports. If installing the OEM fuel pulse damper, use the provided adapter fitting instead of a plug. NOTE: It is good practice to use new crush washers when reinstalling (HONDA P/N: 16705-PD1-003). To avoid damage, **lubricate all O-rings with oil prior to installing.**

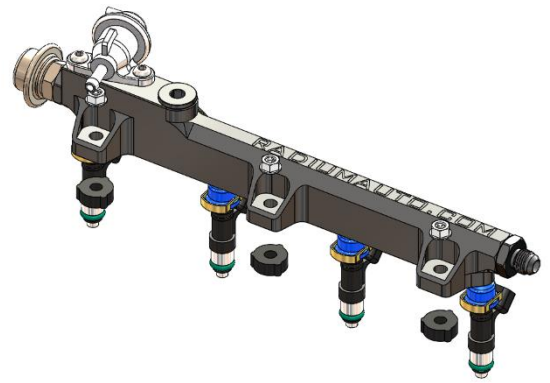
Install the OEM FPR using the supplied stainless steel button head bolts. Tighten using a 4mm Allen hex wrench. Do not forget to use the OEM FPR O-ring.



4. For ease of installation, **apply a light coat of oil to the injector O-rings, intake manifold injector seats, and fuel rail injector bores.** Fully insert the injectors into the fuel rail bores, as shown.

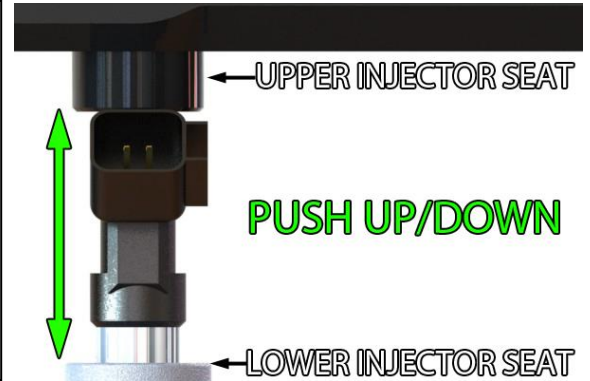
Place the OEM thermal insulating spacers onto the intake manifold studs. Line-up and place the fuel rail assembly onto the intake manifold. Once everything is positioned correctly, push the rail downwards to fully seat the injectors. Confirm all injector O-rings have been installed properly.

Tighten the three OEM M6 nuts using a 10mm socket wrench.



5. As a test, push the fuel injectors downward until they bottom out. Now inspect the injectors' upper O-rings and confirm they are still inserted into the fuel rail injector bores. Do not pressurize the fuel system until the proper height is achieved.

Orientate the fuel injectors such that the electrical connectors do not experience any interference with the surrounding area. Plug in each of the injector connectors.



6. If installing the 20-0370-00 or 20-0370-PK, install the included metric adapter fitting with crush washer in the fuel filter outlet top port. Tighten to 25 ftlbs using a 16mm (or 5/8") wrench.

Apply light oil to one of the PushLok hose end barbs and fully seat the included hose, as pictured. Do not install the second PushLok hose end yet.

Next, temporarily install the partially assembled hose to the filter's 6AN fitting and the other PushLok hose end to the fuel rail's 6AN fitting. Route the hose and cut to length. Assemble the other PushLok hose end the same as before. Permanently install the fuel feed hose using an 11/16" wrench.



7. Reinstall all components previously removed.

Cycle the ignition switch a few times (without starting engine). This purges the system of air and allows the fuel pump to prime the system. **CHECK FOR LEAKS!** If no leaks are found, start the engine and check again while the engine is running.

NOTE: OEM Honda fuel pressure is 3 bar (43.5psi).

Installation complete.

