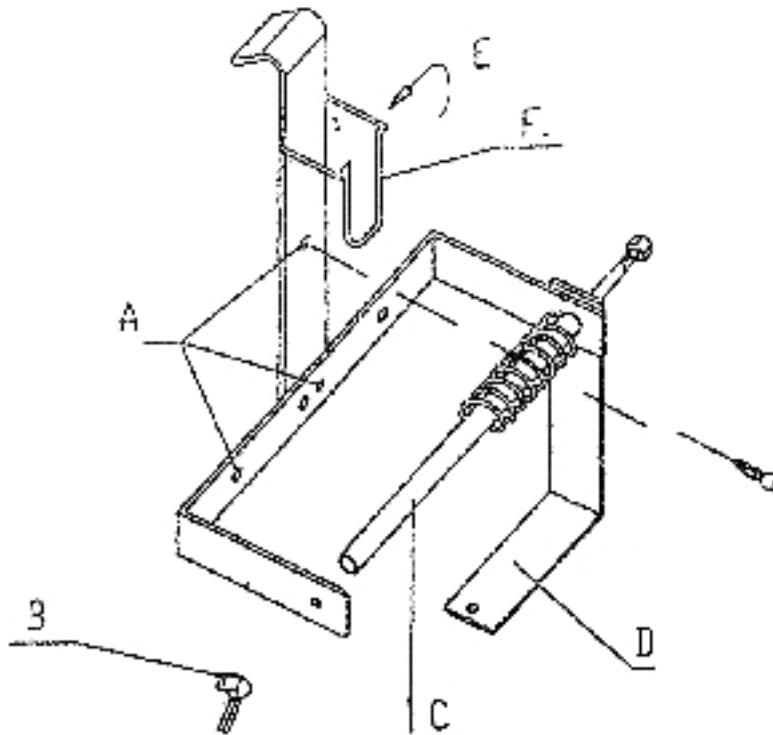


## RA-9 Trim Line Rack & Spool Holder



1. Fold out hook section (E) and hang rack on top rail of the inside wall of trailer in desired location.
2. Using the pre-drilled holes (A), screw rack to trailer inside wall.
3. Using the thumb screw (B), remove the dowel (C) and install either a 3 or 5 pound spool of trim line.
4. Feed trim line end through hole on line retainer arm (D).
5. Store extra trimmer head spool in rack (F) by sliding spool downward.

Due to the many different ways trailers are built, the hardware required to attach the rack is not included and must be supplied by the user.

**NOTE: It is the buyer's sole responsibility to make sure that the rack is installed safely and securely to a component that will adequately support the equipment.**