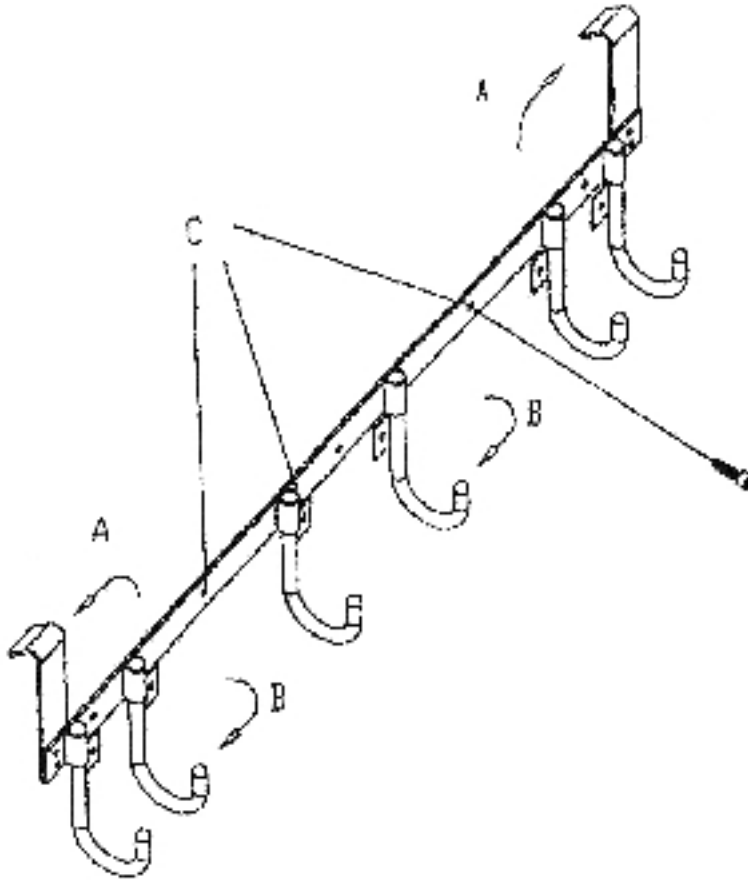


## RA-7 6 Hook Multi Tool Rack



1. Fold out top hook sections (A).
2. Fold out utility hooks (B).
3. Hang Rack on top rail of trailer inside wall in desired location.
4. Using the pre-drilled holes (C), screw rack to trailer inside wall.
5. Use hooks to store misc. equipment.

Due to the many different ways trailers are built, the hardware required to attach the rack is not included and must be supplied by the user.

**NOTE: It is the buyer's sole responsibility to make sure that the rack is installed safely and securely to a component that will adequately support the equipment.**