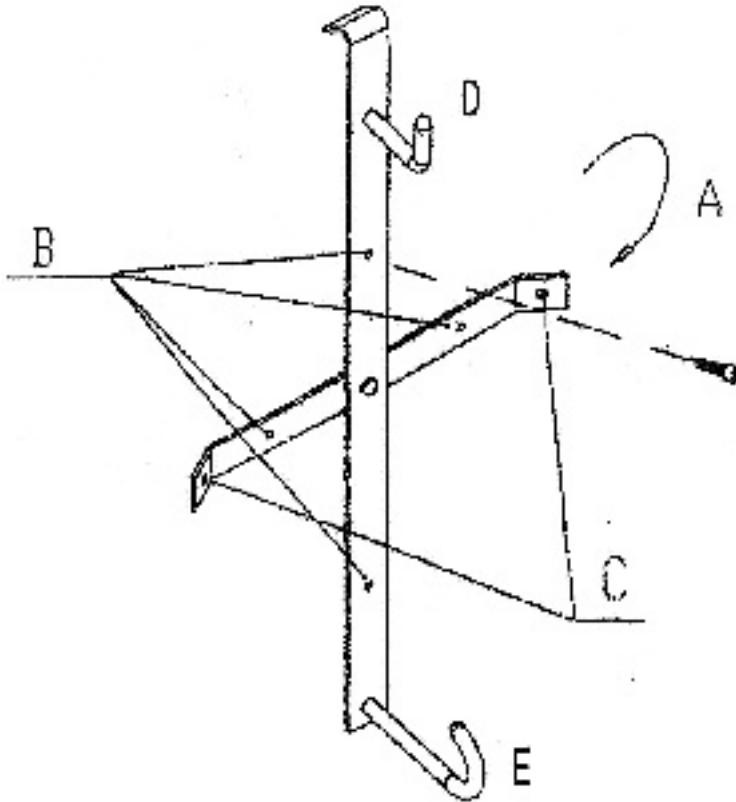


RA-4 Back Pack Blower Rack



1. Hang Rack on top rail of trailer inside wall in desired location.
2. Rotate sway bar to horizontal position (A).
3. Using the predrilled holes (B), screw rack to trailer inside wall.
4. Use hood to hang Back Pack Blower for storage. Use a bungee cord around the Back Pack Blower to prevent sway using the sway bar holes (C).
5. Use hook (E) to store blower tube or to hang a hand held blower.

Due to the many different ways trailers are built, the hardware required to attach the rack is not included and must be supplied by the user.

NOTE: It is the buyer's sole responsibility to make sure that the rack is installed safely and securely to a component that will adequately support the equipment.