

# PK-28B Roof Rack Bracket Kit

(use with 2" x 4" lumber)

1. Place one 2" x 4" into section "A" of Fig. 1. Drill holes (using "B" as template) in the 2" x 4" and bolt it to the bracket using holes "B".  
Note: 2" x 4" must be as long or longer than the trailer width.
2. Rest the 2" x 4" on the trailer roof and place mount "C" into the trailer's rain gutter.
3. Using the other bracket on the opposite side, place it in the rain gutter. Lift the 2" x 4" to a level position and mark and cut the 2" x 4". Drill and bolt this side of the 2" x 4" into holes "B", then bolt both brackets to the trailer using holes "D".

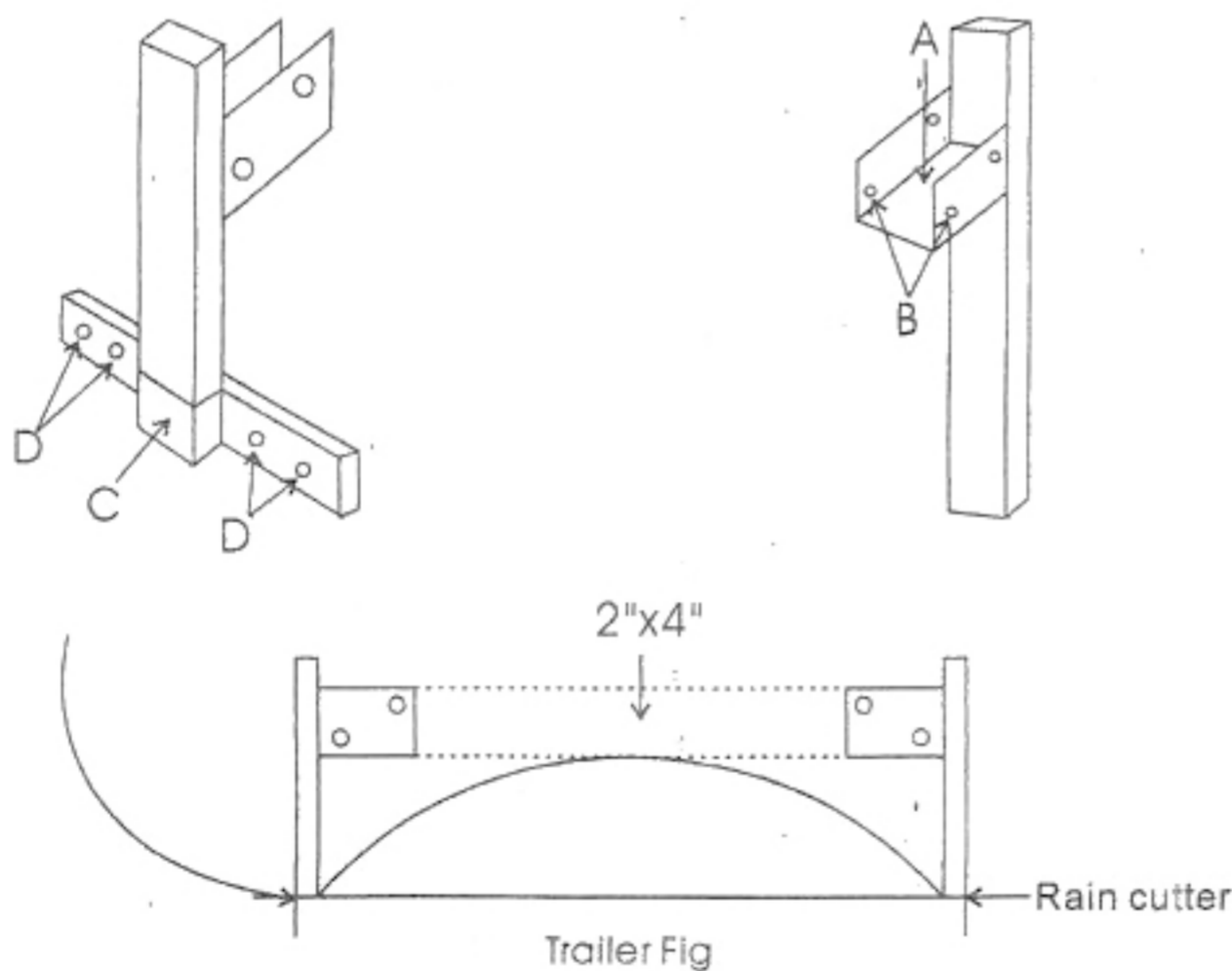
Comes with:

4 - Small screws with washers

16 - Large screws with washers

8 – Bolts with 2 washers and 1 locking nut each.

Fig 1



**NOTE:** It is the buyer's sole responsibility to make sure that the rack is installed safely and securely to a component that will adequately support the equipment.

Version – 04/16