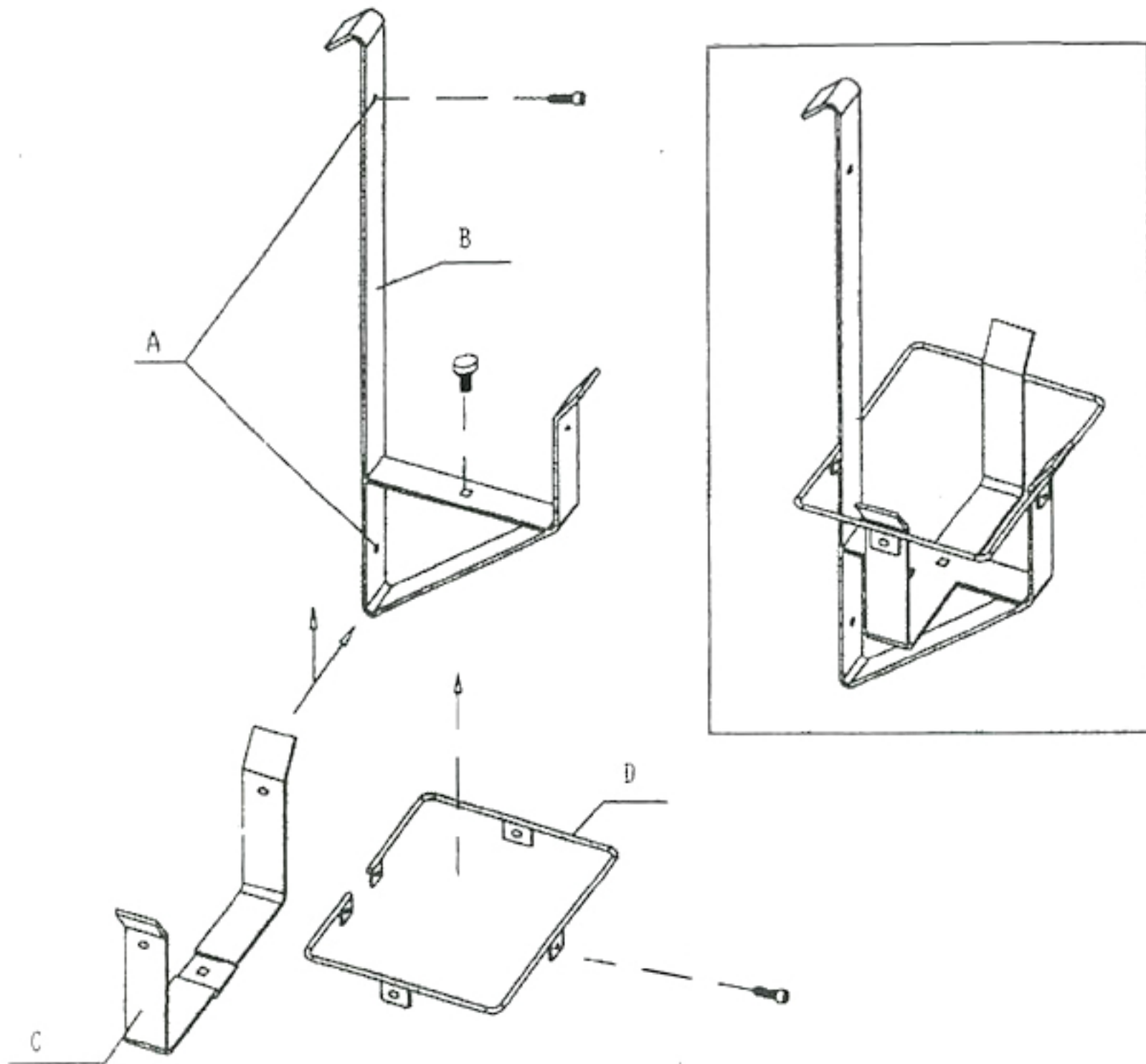


# RA-1S 2.5 Gallon Gas Can or Cooler Rack



1. Bolt cross section (C) to main frame section (B) using carriagebolt.
2. Bolt top ring section (D) to cross section and main frame section using the pre-drilled holes.
3. Hang rack on top rail of the inside wall of trailer in desired location.
4. Using the pre-drilled holes (A), screw rack to trailer inside wall.
5. Place Gas Can\* or Cooler in rack for storage.

\* Check your local ordinance

Due to the many different ways trailers are built, the hardware required to attach the rack is not included and must be supplied by the user.

**NOTE:** It is the buyer's sole responsibility to make sure that the rack is installed safely and securely to a component that will adequately support the equipment.