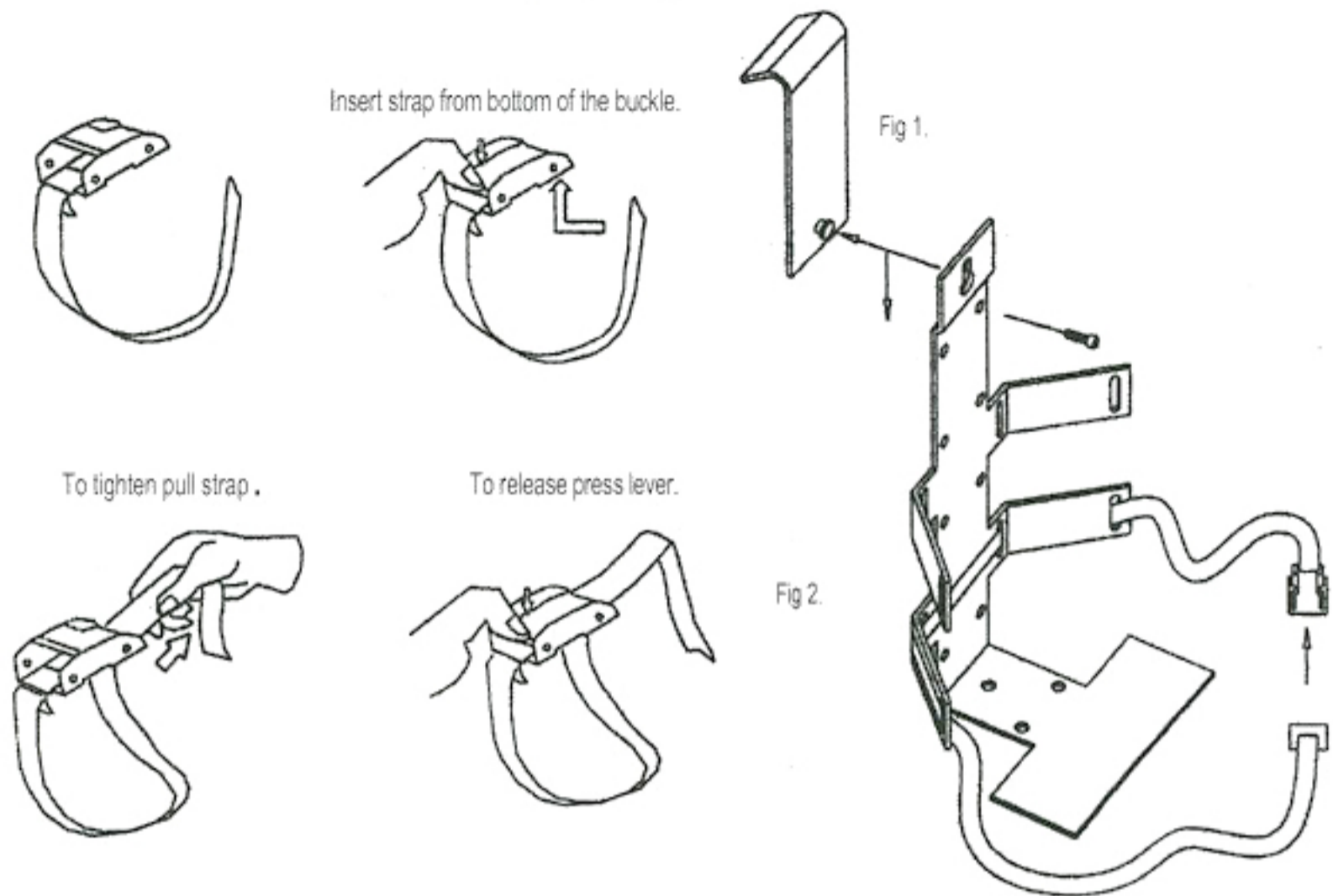


## RA-18 Water Cooler/Sprayer Open/Enclosed Rack



1. This rack will hold a 3 or 5 gallon round water cooler in either an enclosed or open trailer or it can also hold a round hand held sprayer of similar size.
2. To install in an enclosed trailer hang the hook piece on the top of the rail of the trailer inside wall in desired location. See Fig. 1.
3. Hang Cooler/sprayer rack on hook pin and slide down on pin.
4. Using the pre-drilled holes, screw rack to inside wall of trailer.
5. Secure the cooler/sprayer to the rack using the straps provided. If using with a sprayer the loops (Fig. 2) holds the wand. This step is the same for an open trailer.
6. To install on an open trailer discard the hook piece (Fig. 1). Place rack on angle iron top rail of trailer on the curb side. Mark and drill holes.
7. Using the pre-drilled square holes, bolt to rail of trailer using grade 8 carriage bolts.

Due to the many different ways trailers are built, the hardware required to attach the rack is not included and must be supplied by the user.

**NOTE: It is the buyer's sole responsibility to make sure that the rack is installed safely and securely to a component that will adequately support the equipment**