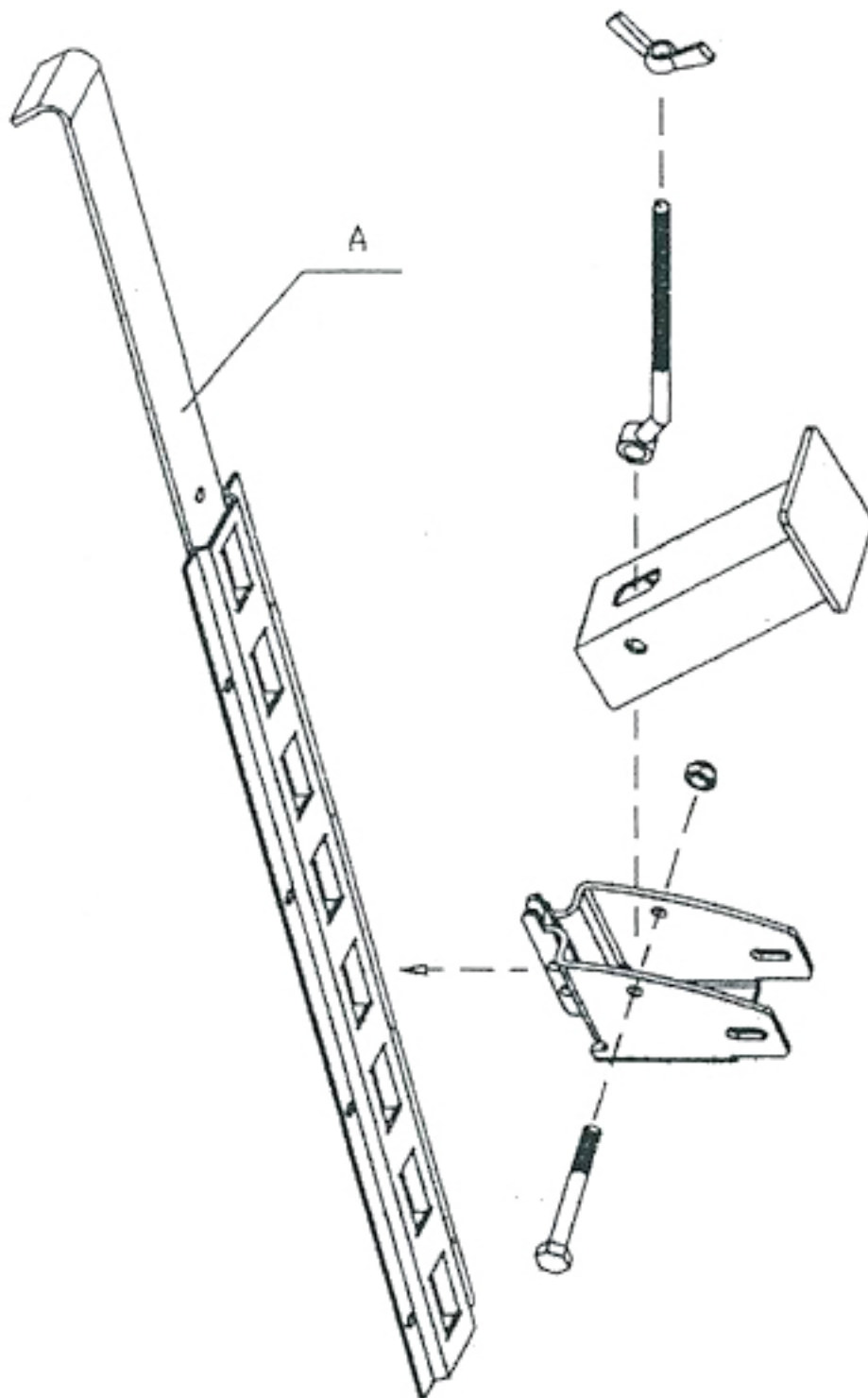


RA-16 SPARE TIRE CARRIER RACK



1. Hang rack (A) on top rail of trailer inside wall in desired location.
2. Using the pre-drilled holes, screw rack to trailer inside wall.
3. Place the spring loaded tire hook on "e" track rack in an appropriate position for the size of your spare tire.
4. Place wheel center hole on hook and secure with lug nut hole thumb screw.

Due to the many different ways trailers are built, the hardware required to attach the rack is not included and must be supplied by the user.

NOTE: It is the buyer's sole responsibility to make sure that the rack is installed safely and securely to a component that will adequately support the equipment.

VERSION 04/16