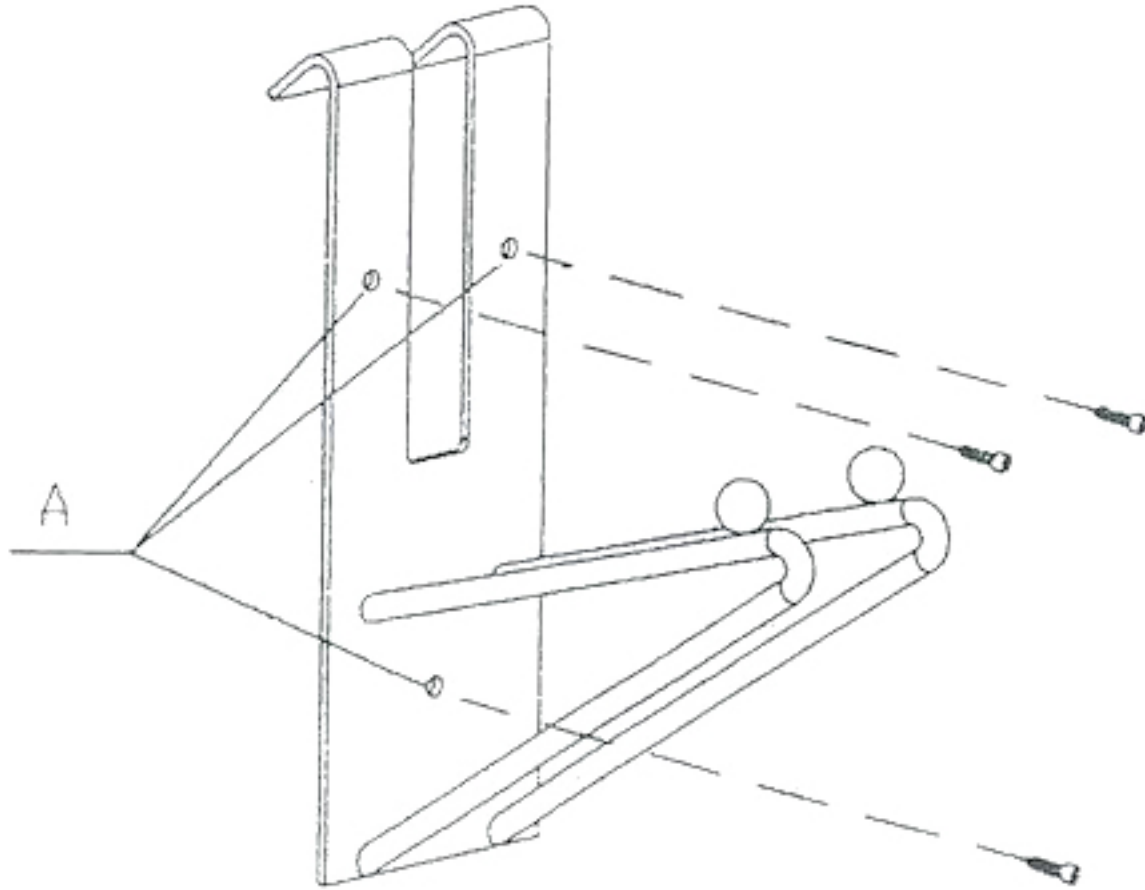


RA-15 SHOVEL HOLDER RACK



- Hang rack on top rail of trailer inside wall in desired location.
- Using the pre-drilled holes (A) screw rack to inside trailer wall.
- Place shovels in rack vertically, this rack will store up to six (6) shovels.

Due to the many different ways trailers are built, the hardware required to attach the rack is not included and must be supplied by the user.

NOTE: It is the buyer's sole responsibility to make sure that the rack is installed safely and securely to a component that will adequately support the equipment.