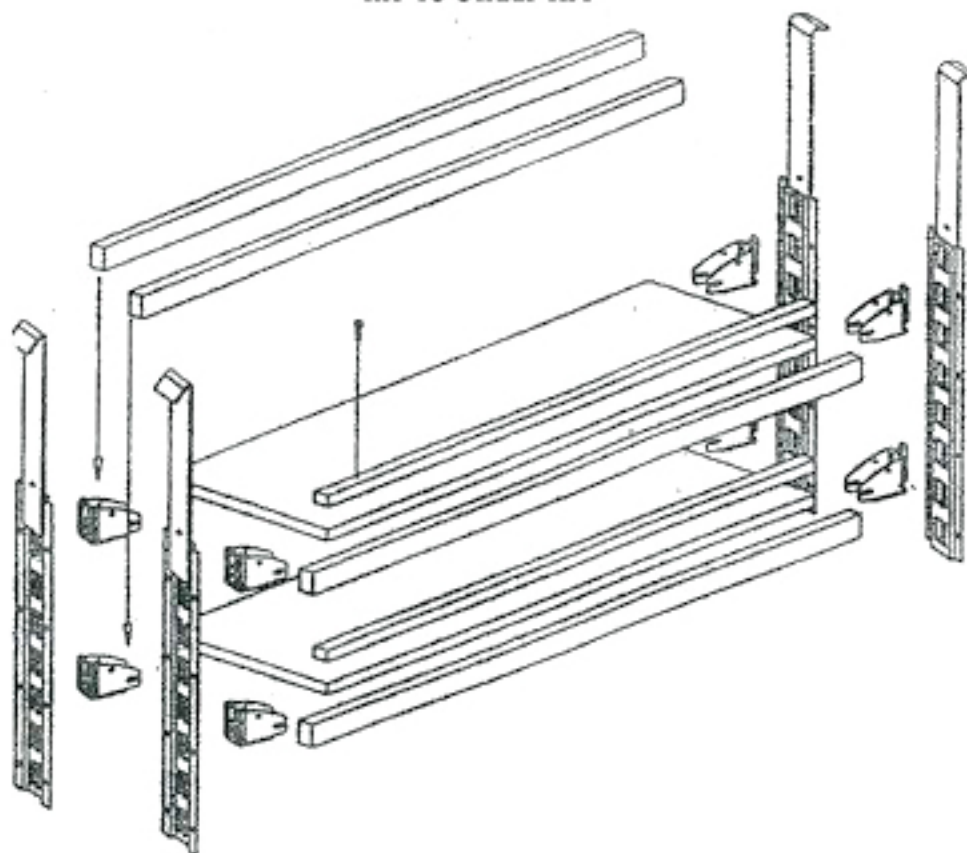


## RA-13 SHELF KIT



Wood Needed for two (2) two foot (2') wide shelves.  
4-2"x4"  
1-4'x8' sheet of plywood  
2-1"x4" pine board

1. Hang 2 racks on the top rail of the trailer inside wall, the first as close as possible to the front of the trailer, second approximately 2 feet away from front of trailer. Repeat this with the remaining 2 racks on opposite wall.
2. Clip 4 spring loaded E-track 2"x4" pockets across from each other on the same slot to make the 1st shelf. Repeat this with the remaining 4 pockets lower on the rack depending on how wide you want your shelves.
3. Use 2"x4"s for the beams (not supplied) cut to length which is appropriate to the width of your trailer. Place the shelf beams in the pockets. Repeat this for the second shelf. 4 beams are used.
4. Using a piece of scrap cardboard (not supplied) cut a curvature in the cardboard, which matches the curvature of the front of your trailer. Make several cuts if necessary to get an exact fit. This is to be used as a template to cut the plywood shelves and get an exact fit.
5. Cut 2 3/4" plywood shelves to size. Measure the width and length the shelves should be (each trailer is different). Using your template from step 4. draw and cut the curvature into the shelves for a tight fit in the front.
6. Using the pre-drilled holes in the racks, screw into the trailer walls. Using the pre-drilled holes in the pockets screw 2"x4"s to pockets. Using wood screws, screw the plywood shelves to the 2"x4" beams. A shelf lip can be added by screwing a board cut to length to the front of each shelf to prevent stored items from falling off the shelf.

Due to the many different ways trailers are built, the hardware required to attach the rack is not included and must be supplied by the user.

**NOTE: It is the buyer's sole responsibility to make sure that the rack is installed safely and securely to a component that will adequately support the equipment.**