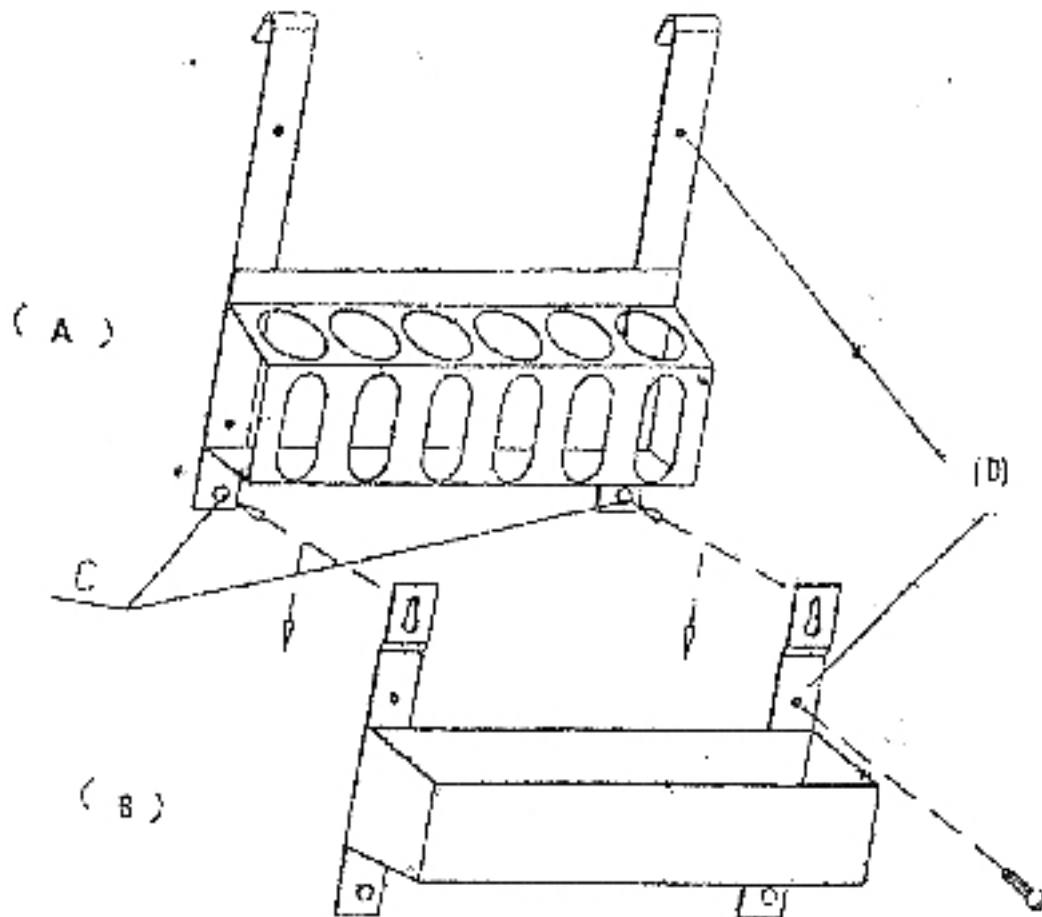


RA-10AB Lubrication Rack



1. Hang rack on top rail of the inside wall of the trailer in desired location.
2. Hang the expansion lubrication bin (B) on the lubrication rack by sliding down on pins (C) of the already installed rack.
3. Using the pre-drilled holes (D), screw rack to inside wall.
4. Use the lubrication rack for oil or other miscellaneous tools or equipment.

Due to the many different ways trailers are built, the hardware required to attach the rack is not included and must be supplied by the user.

NOTE: It is the buyer's sole responsibility to make sure that the rack is installed safely and securely to a component that will adequately support the equipment.