



# 2018+ JEEP JL 7" X 8" 25W LED TAILLIGHTS



BLACKOUT  
QTE558



REDOUT  
QTE845

VER: 20-1

## INTRODUCTION:

Thank you for purchasing our Plug-in-Play Jeep JL LED Tail Lights. Carefully remove all the components and examine for any missing parts or visible damage caused by shipping and report any damage to the carrier and keep the shipping package. Take a good look at all the components so you are familiar with them before digging into this.



### REQUIRED TOOLS :

- T40 Torx or 10mm Socket
- Socket Wrench
- Screwdriver or Nylon Panel Removal Tool

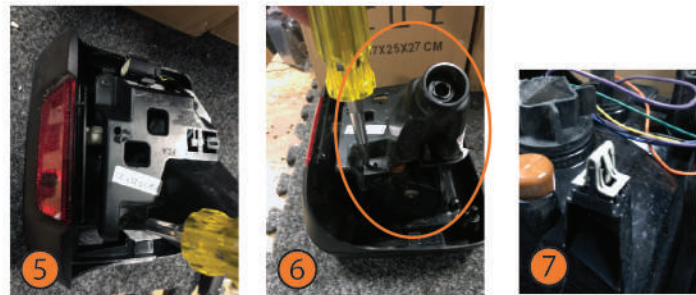
### PARTS LIST:

- 1. DRIVERS SIDE TAIL LIGHT
- 2. PASSENGER SIDE TAIL LIGHT
- 3. TWO L-BRACKETS
- 4. FOUR M3 LOCK NUTS
- 5. FOUR M3 BOLTS
- 6. FOUR RETAINING CLIPS



## INSTALLATION

1. Open tailgate.
2. On the back wheel well, you will see small 2"x2" plastic access covers.
3. Use a flathead screwdriver to remove the plastic covers.
4. Use a 10 mm socket to loosen and remove white plastic retaining bolt. This is the only thing holding the tail light to the vehicle, so you may want to keep a hand on the tail light while removing.
5. Lay the tail lights face down on a cloth as not to scratch the lenses. Use a Philips screwdriver to move the three (3) Philips screws on the back of the tail lights. Save these as they will be reused on the new tail lights.
6. Remove the tail light back half that was held on with the three (3) Philips screws. Remove the silver metal retaining clip under this cover as these must be put on new tail lights.
7. Install retaining clips on new tail lights. Install plastic back half onto the new tail lights with the three (3) Philips bolts saved.
8. Bolt the gold resistor to the gold L-bracket with supplied nuts and bolts. Slide retaining clips onto the gold L-bracket opposite of the resistor. These will securely hold the resistor to the body.



-Wire Diagram is for Illustration Only.  
 -Actual wire harness lengths and wire gauge are not to scale.  
 -Actual wire harness components and lights are not to scale.



— LIGHT UP THE DARKNESS —





# 2018+ JEEP JL 7" X 8" 25W LED TAILLIGHTS



BLACKOUT  
QTE558



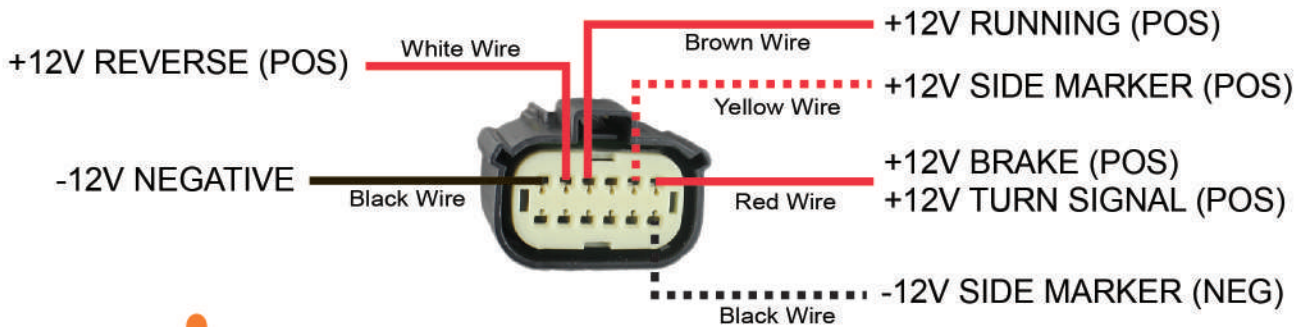
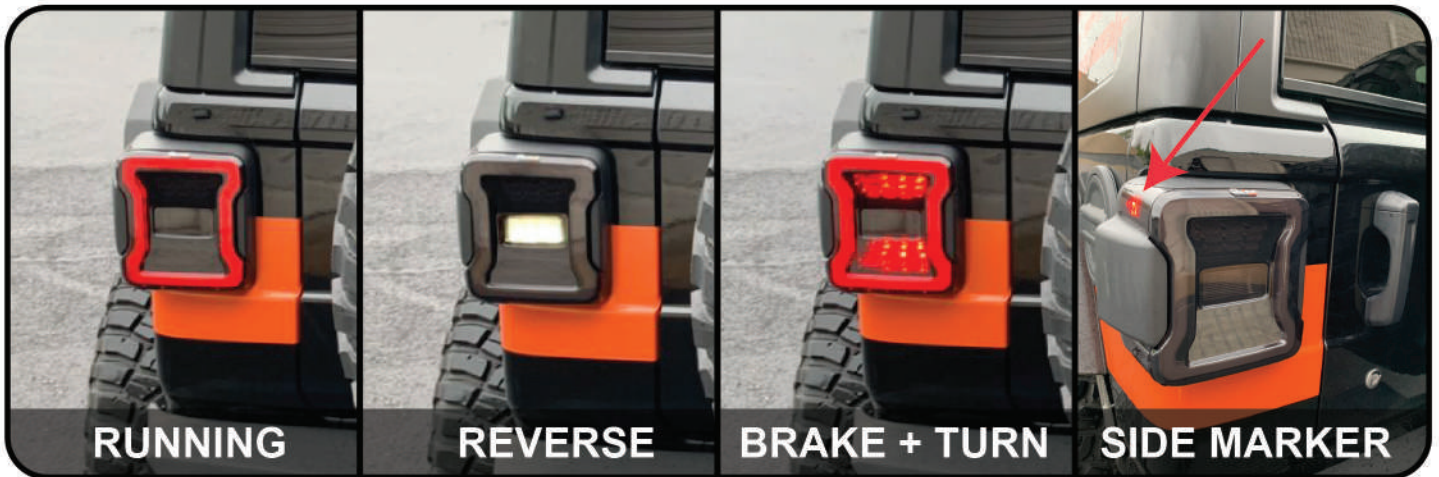
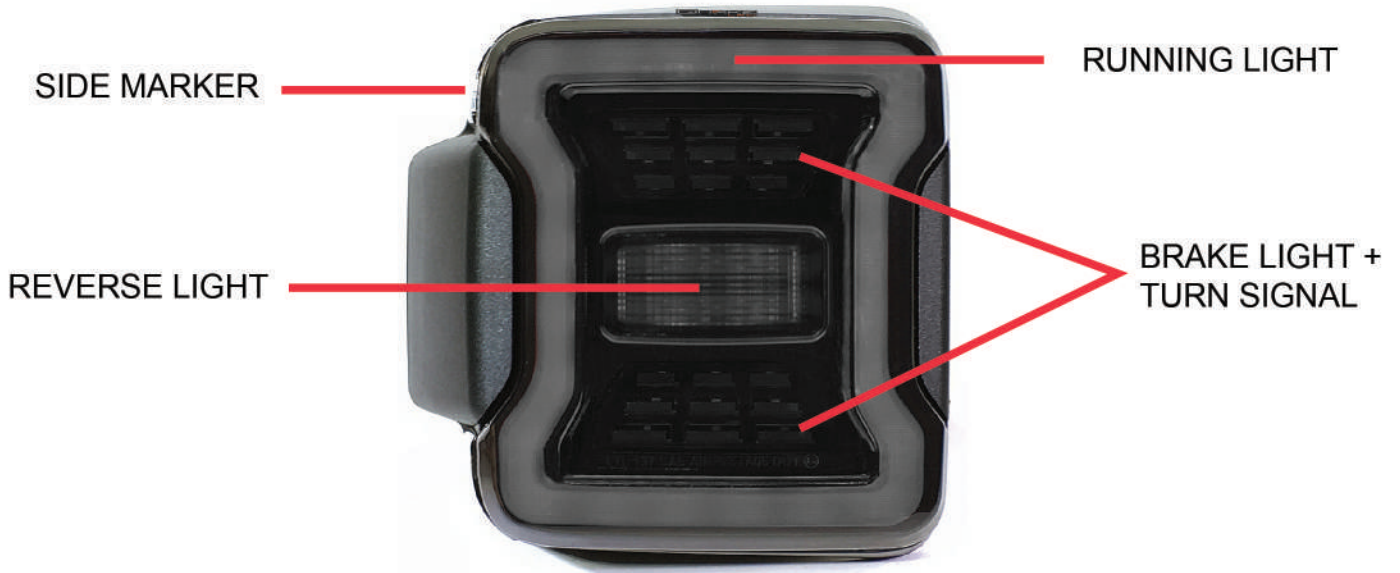
REDOUT  
QTE845

VER: 20-1



9. After these have been installed on the pinchweld you can now install the tail lights. Make sure to insert the the tail light back up into its retainer and insert the white plastic bolt into the the retainer and tighten with 10mm socket until snug.

10. Reinstall plastic covers and enjoy your new high-quality Quake LED tail lights!



-Wire Diagram is for Illustration Only.  
-Actual wire harness lengths and wire gauge are not to scale.  
-Actual wire harness components and lights are not to scale.



LIGHT UP THE DARKNESS