



Related Products

Industrial Ball Joints

NEW

Staked Design Ball Joint with Rubber Grommet Specifications

BALL STUD

- Carbon Steel
- Protective Coated for Corrosion Resistance

BODY

- Carbon Steel
- Protective Coated for Corrosion Resistance

SPRING

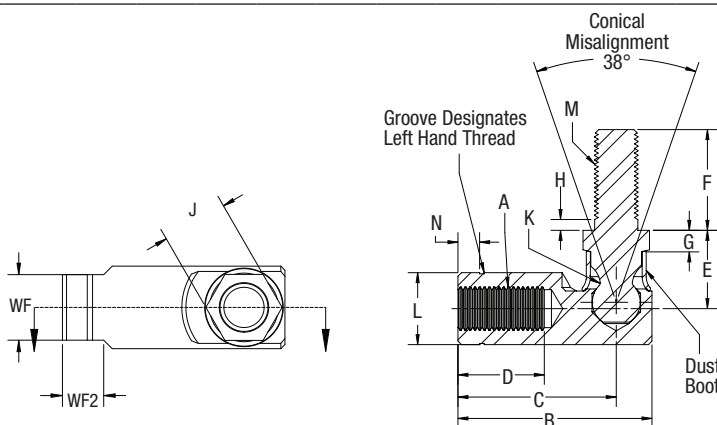
- Stainless Steel

PART NUMBER

DIMENSIONS IN INCHES

Staked Design Ball Joints with Rubber Grommet

Right Hand	Left Hand	A Thread UNF-2B	B ± .020	C ± .020	D Min.	E ± .020	F ± .020	G Ref.	H Ref.	J + .002 - .010	K Ref.	L Ref.	M UNF-2A	N Ref.	WF + .002 - .010	WF2 ± .020	Tensile & Shear Strength	Force to Remove (Lbs.)
BJGR3	BJGL3	10-32	1.156	.875	.469	.359	.438	.094	.062	.312	.177	.375	10-32	.125	.312	.250	295	690
BJGR4	BJGL4	1/4-28	1.219	.969	.500	.469	.562	.125	.094	.375	.193	.437	1/4-28	.125	.375	.281	862	1,005
BJGR5	BJGL5	5/16-24	1.406	1.125	.562	.531	.687	.156	.094	.437	.232	.500	5/16-24	.188	.437	.281	1,587	1,282
BJGR6	BJGL6	3/8-24	1.687	1.375	.750	.687	.875	.187	.094	.500	.287	.625	3/8-24	.188	.500	.312	2,437	1,700
BJGR7	BJGL7	7/16-20	2.375	1.937	1.125	.875	1.125	.250	.125	.625	.412	.750	7/16-20	.25	.625	.375	3,390	2,700
BJGR8	BJGL8	1/2-20	2.375	1.937	1.125	.875	1.125	.250	.125	.625	.412	.750	1/2-20	.25	.625	.375	3,390	2,700



Related Products

NEW

Quick Disconnect Ball Joint Specifications

BALL STUD

- Carbon Steel
- Protective Coated for Corrosion Resistance

BODY

- Carbon Steel
- Protective Coated for Corrosion Resistance

SLEEVE

- Carbon Steel
- Protective Coated for Corrosion Resistance

SPRING

- Stainless Steel

PART NUMBER

DIMENSIONS IN INCHES

Quick Disconnect Ball Joints

Right Hand	Left Hand	A Thread UNF-2B	B ± .020	C ± .020	D Min.	E ± .020	F ± .020	G Min.	H Max.	J + .002 - .010	K Ref.	L ± .010	M Ref.	Tensile & Shear Strength	Force to Remove (Lbs.)
BJDR3	BJDL3	10-32	1.094	.906	.437	.437	.437	.125	.062	.312	.171	.312	.500	450	650
BJDR4	BJDL4	1/4-28	1.094	.906	.531	.469	.562	.125	.062	.312	.171	.312	.500	500	650
BJDR5	BJDL5	5/16-24	1.563	1.125	.563	.594	.689	.156	.094	.437	.232	.438	.680	1,000	1,000
BJDR6	BJDL6	3/8-24	1.940	1.563	.750	.719	.875	.188	.094	.500	.287	.562	.820	1,250	1,250

