



INSTALLATION INSTRUCTIONS

QA1 P/N 5282 *Adjustable Torque Arm*
1984-2002 Camaro/Firebird

READ ALL INSTRUCTIONS CAREFULLY AND THOROUGHLY PRIOR TO STARTING INSTALLATION. PRODUCTS THAT HAVE BEEN INSTALLED ARE NOT ELIGIBLE FOR RETURN. USE THE PROPER JACKING LOCATIONS. DEATH OR SERIOUS INJURY CAN RESULT IF INSTRUCTIONS ARE NOT CORRECTLY FOLLOWED. A GOOD CHASSIS MANUAL, AVAILABLE AT YOUR LOCAL PARTS STORE, MAY ALSO AID IN YOUR INSTALLATION.

• DISCLAIMER / WARRANTY •

QA1 WARRANTS THAT THE PRODUCTS WILL BE FREE FROM DEFECTS IN MATERIAL AND WORKMANSHIP FOR ONE YEAR FROM DATE OF SALE TO THE ORIGINAL PURCHASER. QA1 MAKES NO OTHER WARRANTY OF ANY KIND, EXPRESS OR IMPLIED. QA1 SHALL HAVE NO OBLIGATION UNDER THE FOREGOING WARRANTY WHERE THE DEFECT IS THE RESULT OF IMPROPER OR ABNORMAL USE, YOUR NEGLIGENCE, VEHICLE ACCIDENT, IMPROPER OR INCORRECT INSTALLATION OR MAINTENANCE, NOR WHEN THE PRODUCT HAS BEEN REPAIRED OR ALTERED IN ANY WAY. QA1'S LIABILITY IN THE CASE OF DEFECTIVE PRODUCTS SUBJECT TO THE FOREGOING WARRANTY SHALL BE LIMITED TO THE REPAIR OR REPLACEMENT, AT QA1'S OPTION, OF THE DEFECTIVE PRODUCTS.

THE USER UNDERSTANDS AND RECOGNIZES THAT RACING PARTS, SPECIALIZED STREET ROD EQUIPMENT, AND ALL PARTS AND SERVICES SOLD BY QA1 ARE EXPOSED TO MANY AND VARIED CONDITIONS DUE TO THE MANNER IN WHICH THEY ARE INSTALLED AND USED. QA1 SHALL BEAR NO LIABILITY FOR ANY LOSS, DAMAGE OR INJURY, EITHER TO A PERSON OR TO PROPERTY, RESULTING FROM THE INSTALLATION, DIRECT OR INDIRECT USE OF ANY QA1 PRODUCTS OR INABILITY BY THE BUYER TO DETERMINE PROPER USE OR APPLICATION OF QA1 PRODUCTS. WITH THE EXCEPTION OF THE LIMITED LIABILITY WARRANTY SET FORTH ABOVE, QA1 SHALL NOT BE LIABLE FOR ANY CLAIMS, DEMANDS, INJURIES, DAMAGES, ACTIONS, OR CAUSES OF ACTION WHATSOEVER TO BUYER ARISING OUT OF OR CONNECTED WITH THE USE OF ANY QA1 PRODUCTS. MOTORSPORTS ARE DANGEROUS; AS SUCH, NO WARRANTY OR REPRESENTATION IS MADE AS TO THE PRODUCT'S ABILITY TO PROTECT THE USER FROM INJURY OR DEATH. THE USER ASSUMES THAT RISK!

TOOLS AND SUPPLIES REQUIRED

- Drive on lift (recommended) or floor jack and jack stands (4 required)
- SAE and Metric sockets and ratchets.
- Magnetic angle finder
- Blue Loctite™
- 1-1/8" crows foot wrench
- Torque wrench
- Grinder

Note: This torque arm is designed to fit 1984-2002 Camaro and Firebird with 1) US built GM corporate 10 bolt rear ends that have 7 1/2" or 7 5/8" ring gear and, 2) with front torque arm locator lips facing away from driveshaft (See **Figure. 1**).

BEFORE YOU GET STARTED

Before you begin the installation of your new adjustable torque arm, it is very important that you inspect several components on your vehicle for safety reasons, to eliminate potential problems and to ensure your new torque arm will work properly for a long time to come:

1. Inspect the motor mounts and the transmission mount.
Worn, weak or broken mounts will cause the torque arm to not function properly and can cause damage to your vehicle. If you have a broken or weak transmission mount, it will cause the torque arm to actually lift the tail end of the transmission up. This could cause severe wheel hop, driveline misalignment and possible damage to the transmission, drive shaft, u-joints, rear axle, torque arm, and/or floor pan of vehicle. We highly recommend using a good polyurethane transmission mount. This will ensure your transmission will stay solid and the torque arm will work to its full potential.

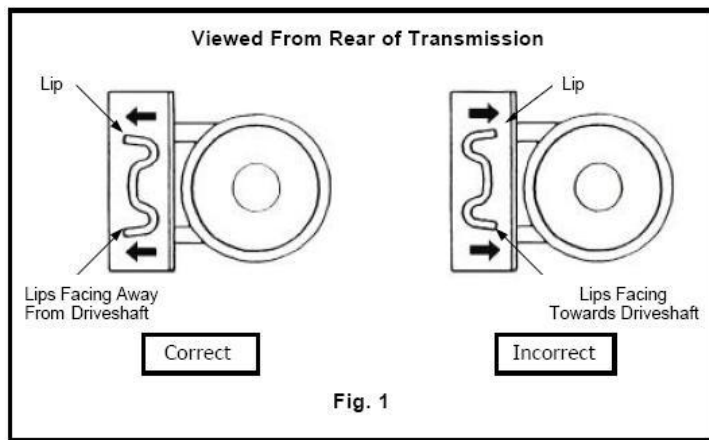


Fig. 1

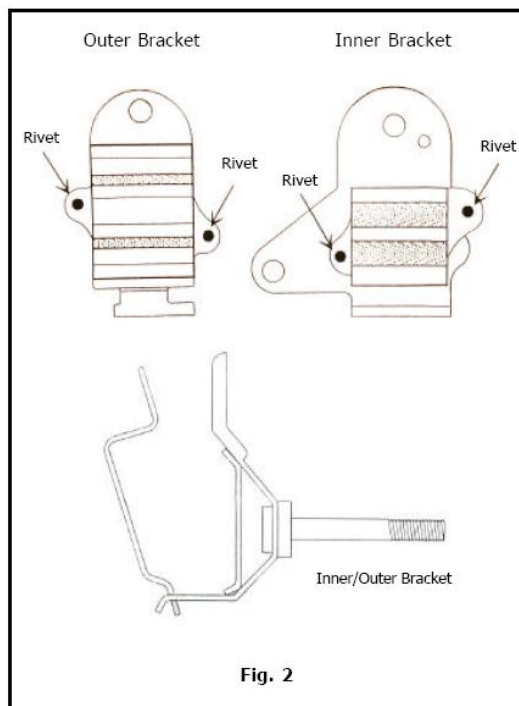
Note: Do not make any adjustments to your new torque arm prior to installation. Your new torque arm comes adjusted to stock configuration. Pinion angle adjustments are very tricky and should only be done by someone with a good understanding and knowledge of how to make proper adjustments. If adjustments are made to pinion angle, it is very important the rod end sits straight up and down and not angled between the differential brackets and that you have a minimum of 1" of thread engagement. In the adjuster sleeve and rod ends or it could cause the part to fail. Improper adjustment, defective, worn, or inadequate suspension components as mentioned above could cause torque arm to fail causing damage or injury.

A drive on vehicle lift is recommended for proper and easy installation.

Before starting, check and record current pinion angle. Vehicle should be on level surface and in correct ride position to obtain correct information.

INSTALLATION

1. If a drive on lift is unavailable, raise and support the vehicle under the frame rails so the rear end can be raised and lowered, as needed.
2. Remove the two large bolts that attach the stock torque arm to the differential and remove the stock torque arm. Inspect the bolts and replace, if necessary. (Use only OE bolts and OE style lock nuts)
3. Unbolt and remove the front bushing bracket assembly from the transmission.
4. Drill or grind off the rivet heads (See **Figure 2**) and disassemble the mounting bracket assembly. Discard the factory rubber bushings.
5. Reinstall the inner bracket onto the transmission with only the lower bolt and stud at this time using thread locking compound.
6. Install the QA1 torque arm onto the rear axle with the OE bolts using thread locking compound. Do not torque the bolts at this time. Due to tolerances, it may be necessary to file or grind the lower rear corner of the differential casting to allow the differential bracket to sit flush against the housing.
7. Apply the supplied grease to the inside of the new polyurethane front bushing and slip the bushing onto the torque arm with the part number on the bushing facing the rear of the vehicle.
8. Position the polyurethane bushing in the inner bracket and install the outer bracket, then (using thread locking compound) install the upper bolt and tighten both bolts and stud to the factory torque specifications.
9. At this time, torque the rear differential attaching bolts to 97 lb. ft.
10. After driving the vehicle 10-20 miles, it is very important to re-torque all hardware; OE differential bolts (97 lb. ft.). Rod end jam nuts (90 lb. ft. using a 1-1/8" crows foot socket on torque wrench).



To further upgrade your suspension, use other QA1 suspension products such as coil-overs, shocks, struts, springs, K-members, torque arms, panhard rods, sub-frame connectors, strut tower braces, rod ends, sway bars, tubular control arms, spherical bearings, carbon fiber driveshafts and more.