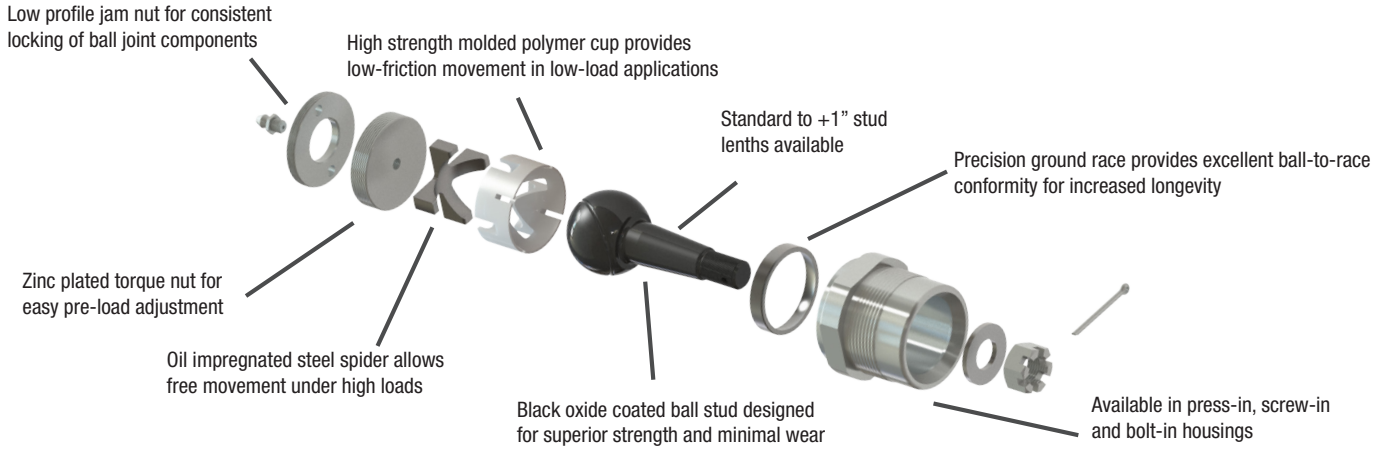


Ball Joints

QA1's Ultimate Ball Joint has a unique patented design that is strong and extremely wear resistant. Our patented design is available in three different housings (bolt-in, press-in, and screw-in styles) so that you can find a ball joint for any need. The diagram below highlights the main features of this product.

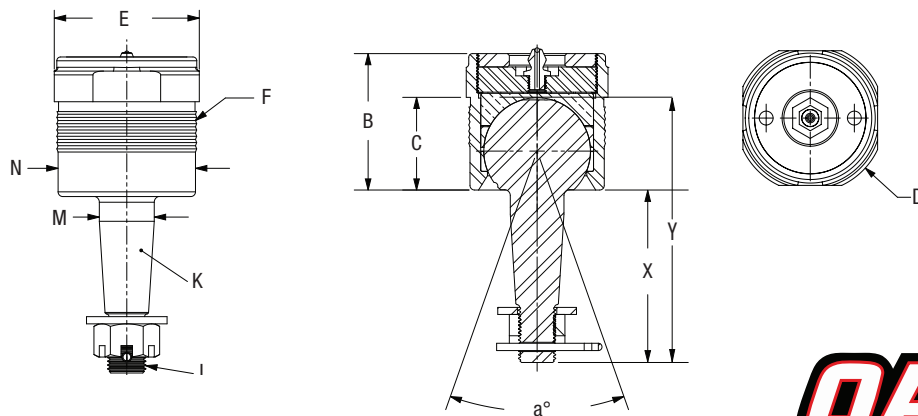


DIMENSIONS IN INCHES

Screw-In Style

Part Number	Misalign. Angle a°	Under Shoulder Length C	Housing Depth B	Stud Length X	Stud Length Y	Shoulder OD D	Wrench Flat E	Thread Major Dia. F	Stud Taper K	Stud Thread L	Taper Major Dia. M	Housing OD N	Moog® Interchange
1210-105	64	1.25	1.840	2.33	3.542	2.110	1.912	1.837	1.5:12	1/2-20	0.724	1.811	K772
1210-200S	64	1.25	1.840	2.43	3.642	2.110	1.912	1.837	1.5:12	1/2-20	0.724	1.811	K772
1210-201S	64	1.25	1.840	2.83	4.042	2.110	1.912	1.837	1.5:12	1/2-20	0.724	1.811	K772
1210-238S	64	1.25	1.840	3.33	4.542	2.110	1.912	1.837	1.5:12	1/2-20	0.724	1.811	K772
1210-102	42	1.39	2.047	2.41	3.848	2.308	1.953	2.012	2:12	5/8-18	0.830	1.953	K6141T
1210-214S	42	1.39	2.047	2.51	3.948	2.308	1.953	2.012	2:12	5/8-18	0.830	1.953	K6141T
1210-215S	42	1.39	2.047	2.91	4.348	2.308	1.953	2.012	2:12	5/8-18	0.830	1.953	K6141T
1210-106	40	1.39	2.047	2.71	4.143	2.308	1.953	2.012	1.5:12	5/8-18	0.892	1.953	K727, MP1003
1210-216S	40	1.39	2.047	2.81	4.243	2.308	1.953	2.012	1.5:12	5/8-18	0.892	1.953	K727, MP1003
1210-217S	40	1.39	2.047	3.21	4.643	2.308	1.953	2.012	1.5:12	5/8-18	0.892	1.953	K727, MP1003
1210-107	64	1.25	1.840	2.66	3.871	2.110	1.912	1.837	1.5:12	5/8-18	0.780	1.811	K719
1210-206S	64	1.25	1.840	2.76	3.971	2.110	1.912	1.837	1.5:12	5/8-18	0.780	1.811	K719
1210-207S	64	1.25	1.840	3.16	4.371	2.110	1.912	1.837	1.5:12	5/8-18	0.780	1.811	K719
1210-111	68	1.25	1.840	2.59	3.803	2.110	1.912	1.837	1.5:12	9/16-18	0.711	1.811	MP1002
1210-212S	68	1.25	1.840	2.69	3.903	2.110	1.912	1.837	1.5:12	9/16-18	0.711	1.811	MP1002
1210-213S	68	1.25	1.840	3.09	4.303	2.110	1.912	1.837	1.5:12	9/16-18	0.711	1.811	MP1002

HARD CORE RACING ONLY!
NOT FOR STREET USE.



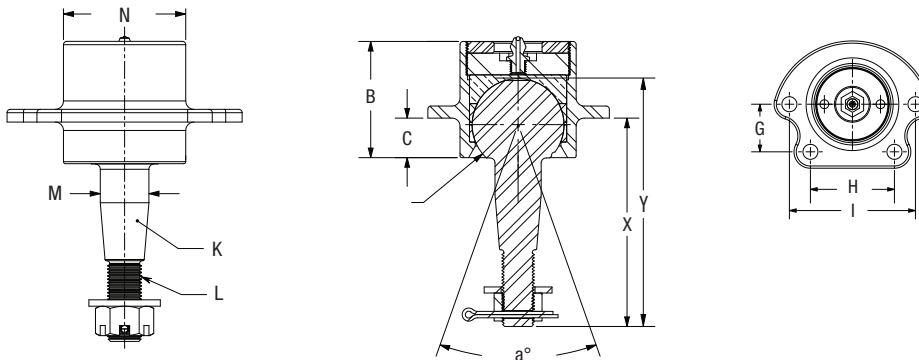
Ball Joints

DIMENSIONS IN INCHES

Bolt-In Style

Part Number	Misalign. Angle a°	Under Shoulder Length C	Housing Depth B	Stud Length X	Stud Length Y	Bolt Pattern Y Dim. G	Bolt Pattern X1 Dim. H	Bolt Pattern X2 Dim. I	Stud Taper K	Stud Thread L	Taper Major Dia. M	Housing OD N	Moog® Interchange
1210-101	65	0.619	1.819	2.330	3.542	1.062	1.875	2.813	1.5:12	1/2-20	0.724	1.818	K6024
1210-200B	65	0.619	1.819	2.430	3.642	1.062	1.875	2.813	1.5:12	1/2-20	0.724	1.818	K6024
1210-201B	65	0.619	1.819	2.830	4.042	1.062	1.875	2.813	1.5:12	1/2-20	0.724	1.818	K6024
1210-238B	65	0.619	1.819	3.330	4.542	1.062	1.875	2.813	1.5:12	1/2-20	0.724	1.818	K6024
1210-103	65	0.619	1.819	2.641	3.850	1.062	1.875	2.813	2:12	1/2-20	0.723	1.818	K6136
1210-202B	65	0.619	1.819	2.741	3.950	1.062	1.875	2.813	2:12	1/2-20	0.723	1.818	K6136
1210-203B	65	0.619	1.819	3.141	4.350	1.062	1.875	2.813	2:12	1/2-20	0.723	1.818	K6136
1210-104	73	1.110	1.820	2.380	3.593	0.911	1.750	2.500	2:12	1/2-20	0.635	1.816	K5208
1210-204B	73	1.110	1.820	2.480	3.693	0.911	1.750	2.500	2:12	1/2-20	0.635	1.816	K5208
1210-205B	73	1.110	1.820	2.880	4.093	0.911	1.750	2.500	2:12	1/2-20	0.635	1.816	K5208
1210-285B	73	1.110	1.820	3.380	4.593	0.911	1.750	2.500	2:12	1/2-20	0.724	1.816	K5208
1210-113	73	1.110	1.820	2.270	3.486	0.807	1.770	2.402	1.5:12	1/2-20	0.635	1.816	K5108

HARD CORE RACING ONLY!
NOT FOR STREET USE.



DIMENSIONS IN INCHES

Press-In Style

Part Number	Misalign. Angle a°	Under Shoulder Length C	Housing Depth B	Stud Length X	Stud Length Y	Shoulder OD D	Press-In Major Dia. J	Stud Taper K	Stud Thread L	Taper Major Dia. M	Housing OD N	Moog® Interchange
1210-108	44	1.060	2.000	3.230	4.625	2.250	1.976	2:12	5/8-18	0.872	2.000	K6117T
1210-218P	44	1.060	2.000	3.330	4.725	2.250	1.976	2:12	5/8-18	0.872	2.000	K6117T
1210-219P	44	1.060	2.000	3.730	5.125	2.250	1.976	2:12	5/8-18	0.872	2.000	K6117T
1210-109	64	1.060	1.830	2.440	3.641	2.250	2.092	2:12	1/2-20	0.784	2.000	K6145T
1210-208P	64	1.060	1.830	2.540	3.741	2.250	2.092	2:12	1/2-20	0.784	2.000	K6145T
1210-209P	64	1.060	1.830	2.940	4.141	2.250	2.092	2:12	1/2-20	0.784	2.000	K6145T
1210-110	64	1.125	1.830	2.190	3.396	2.300	2.008	1.5:12	1/2-20	0.785	2.000	K5103
1210-210P	64	1.125	1.830	2.290	3.496	2.300	2.008	1.5:12	1/2-20	0.785	2.000	K5103
1210-211P	64	1.125	1.830	2.690	3.896	2.300	2.008	1.5:12	1/2-20	0.785	2.000	K5103
1210-112	42	1.130	2.047	2.410	3.848	2.375	2.185	2:12	5/8-18	0.830	1.811	K6141
1210-214P	42	1.130	2.047	2.510	3.948	2.375	2.185	2:12	5/8-18	0.830	1.811	K6141
1210-215P	42	1.130	2.047	2.910	4.348	2.375	2.185	2:12	5/8-18	0.830	1.811	K6141

HARD CORE RACING ONLY!
NOT FOR STREET USE.

