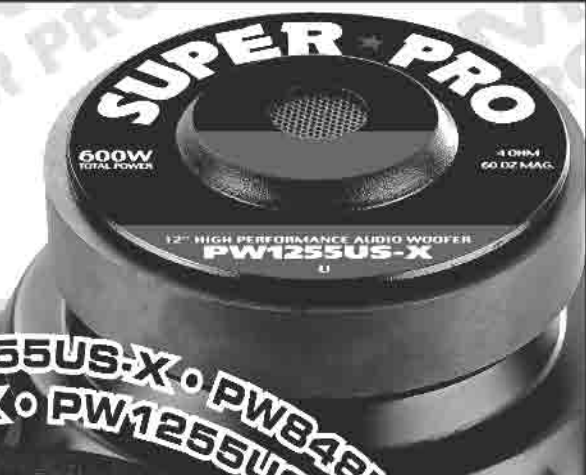


# PYRAMID SUPER PRO

## SPECIFICATIONS



PW1055US-X • PW655US-X • PW855US-X • PW848US-X • PW1255US-X • PW1248US-X  
PW1048US-X • PW1248US-X

PYRAMID  
SUPER PRO

## **About Pyramid Super Pro Series Woofer**

**Congratulations!**

**You have just purchased one of our high power Pyramid woofer. Pyramid Super Pro Series Woofer is the high quality woofer which could provide consistent and high performance. We do confident that Super Pro Series Woofer will bring you many hours of enjoyment over the years.**

### **BASIC FEATURES**

**Black strong non-pressed paper cone**

**Non-fatiguing rubber suspension**

**Stamped steel basket**

**Bumped & vented motor structure**

**High temperature kapton voice coil**

**Heavy magnet structure**

**4 ohm or 8 ohm impedance**

## About This Booklet

In this booklet, you could find the **SPECIFICATIONS** and **TEMPLATE** of the woofer. With this information, you could achieve the best performance of woofer conveniently.

Below is the meaning of the rating abbreviations.

**Fs**: "**Free Air Resonance**", this value is the lowest audible frequency (in Hz) of the woofer.

**Q** : This value describes the degree of control ("damping") which the speaker exhibits. Speaker damping is due to both **MECHANICAL** characteristics (**Q<sub>ms</sub>**) and **ELECTRICAL** characteristics (**Q<sub>es</sub>**).

A speaker's **TOTAL DAMPLING VALUE** is referring as **Q<sub>ts</sub>**.

**SPL** : This value means the sensitivity of the speaker.

**VAS**: This value describes (in cubic feet) the maximum amount of air which is displaced by the speaker cone in a single excursion.

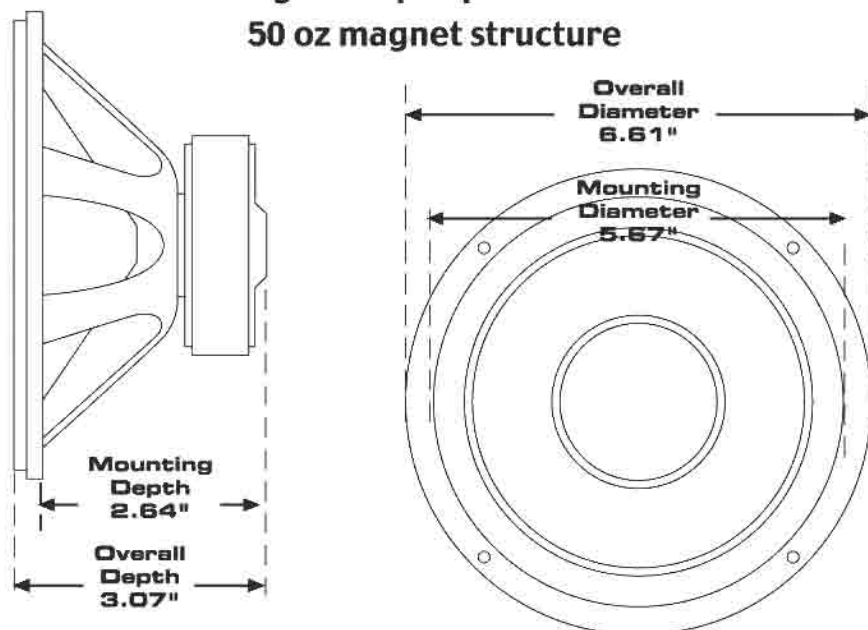
# PW655US-X

## Basic Features

6.5" Black strong non-pressed paper cone

1.5" high-temp kapton voice coil

50 oz magnet structure



Performance Parameters	PW655US-X
Power (Watts Peak)	300
Nom. Impedance	4
Fs (Hz)	71.7
Qms	7.65
Qes	0.62
Qts	0.57
SPL (dB)	87.8
Vas (cu ft)	0.237

SUPER PRO continually strives to improve the performance and value of its products – all specifications are subject to change.

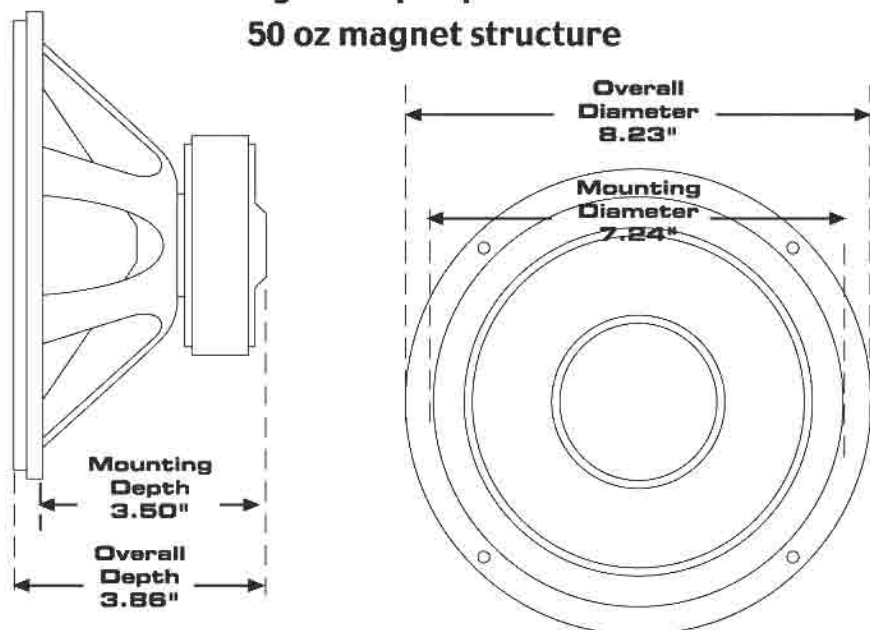
# PW855US-X / PW848US-X

## Basic Features

8" Black strong non-pressed paper cone

1.5" high-temp kapton voice coil

50 oz magnet structure



Performance Parameters	PW855US-X	PW848US-X
Power (Watts Peak)	350	350
Nom. Impedance	4	8
Fs (Hz)	46.4	48.1
Qms	8.63	2.15
Qes	0.60	0.79
Qts	0.56	0.58
SPL (dB)	88.3	87.8
Vas (cu ft)	0.943	1.003

SUPER PRO continually strives to improve the performance and value of its products – all specifications are subject to change.

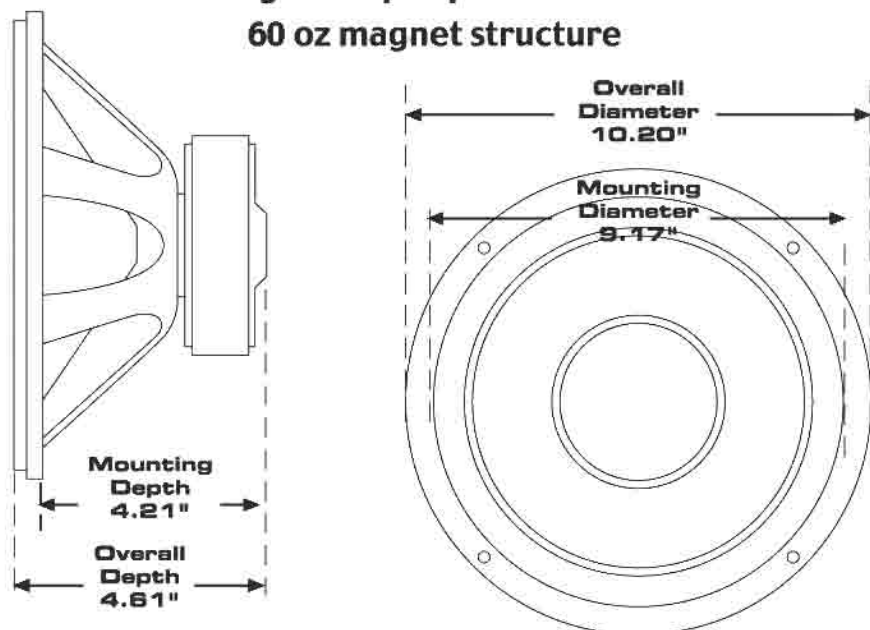
# PW1055US-X / PW1048US-X

## Basic Features

10" Black strong non-pressed paper cone

2" high-temp kapton voice coil

60 oz magnet structure



Performance Parameters	PW1055US-X	PW1048US-X
Power (Watts Peak)	500	500
Nom. Impedance	4	8
Fs (Hz)	29.2	29.8
Qms	4.82	6.32
Qes	0.53	0.63
Qts	0.47	0.57
SPL (dB)	86.3	86.5
Vas (cu ft)	2.062	2.504

SUPER PRO continually strives to improve the performance and value of its products – all specifications are subject to change.

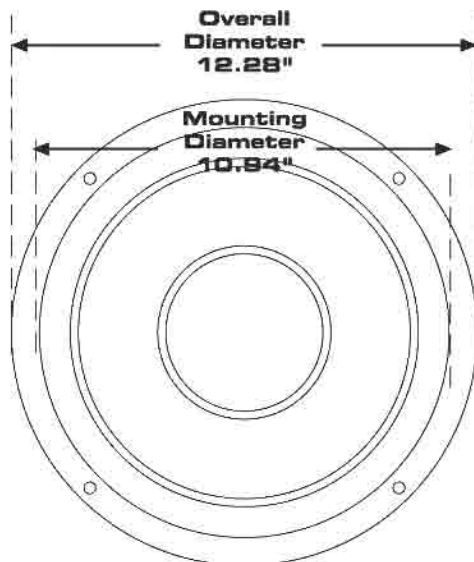
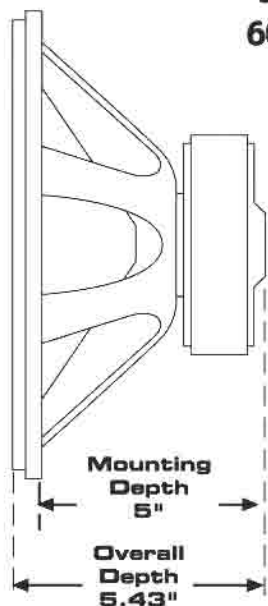
# PW1255US-X / PW1248US-X

## Basic Features

12" Black strong non-pressed paper cone

2" high-temp kapton voice coil

60 oz magnet structure



Performance Parameters	PW1255US-X	PW1248US-X
Power (Watts Peak)	600	600
Nom. Impedance	4	8
Fs (Hz)	29.8	29.1
Qms	4.83	3.85
Qes	0.65	0.68
Qts	0.57	0.58
SPL (dB)	89.2	89.5
Vas (cu ft)	4.785	4.895

**SUPER PRO continually strives to improve the performance and value of its products – all specifications are subject to change.**