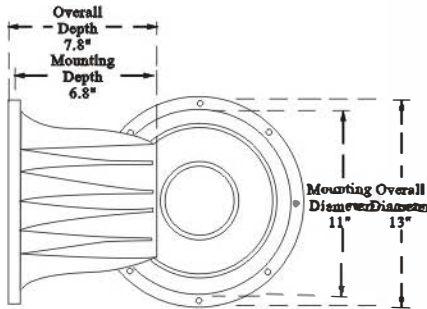


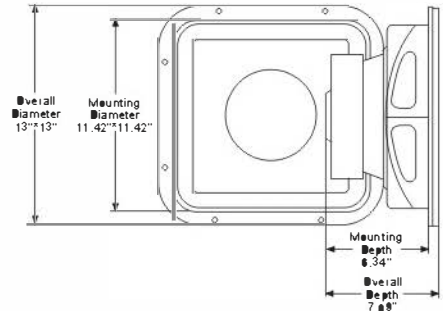
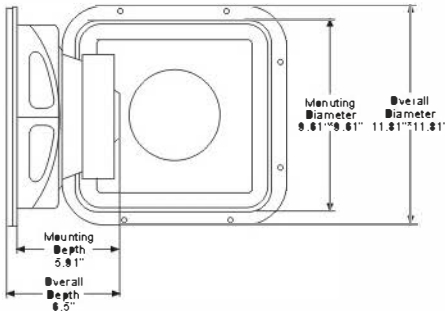
# PYLE



PLW12DREN

PLSQ10D

PLSQ12D



| Specification        | PLSQ10D     | PLSQ12D     | PLW12DREN |
|----------------------|-------------|-------------|-----------|
| Steel Frame          | BLACK       | BLACK       | RED       |
| Cone                 | SILVER P.P  | SILVER P.P  | RED. PP   |
| Surround             | Wide Rubber | Wide Rubber | Foam      |
| Power (Watts Peak)   | 1200        | 1400        | 2000      |
| Nom. Impedance (Ohm) | 4           | 4           | 4         |
| Voice Coil           | 2.5" KSV    | 3" KSV      | 2.5" KSV  |
| Magnet Structure     | 70+70 oz    | 70+70 oz    | 80+80 oz  |
| Fs (Hz)              | 35          | 26          | 28        |
| Qms                  | 5.72        | 5.81        | 5.6       |
| Qes                  | 0.83        | 0.90        | 0.78      |
| Qts                  | 0.73        | 0.7         | 0.75      |
| SPL (dB)             | 88          | 90          | 91        |
| Vas (cuft)           | 1.932       | 4.146       | 3.678     |

Pyle - Red Label - Series continually strives to improve the performance and value of its products - all specifications are subject to change.

Learn more about subwoofers and boxes we have.