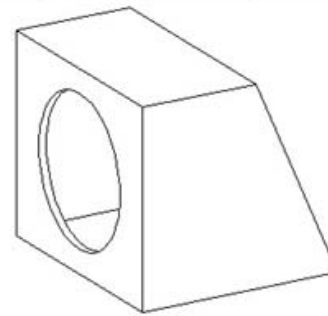
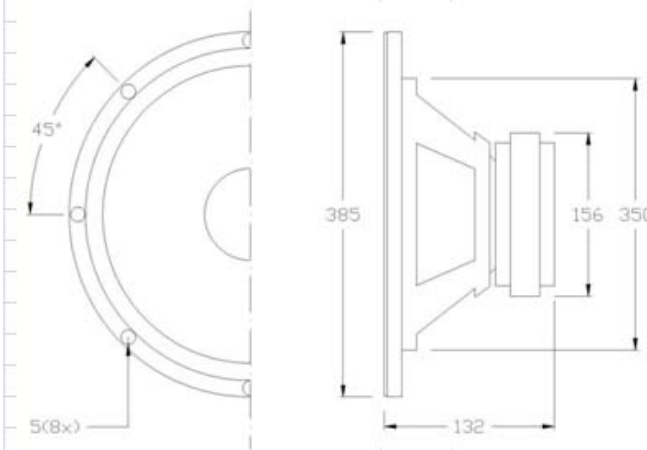
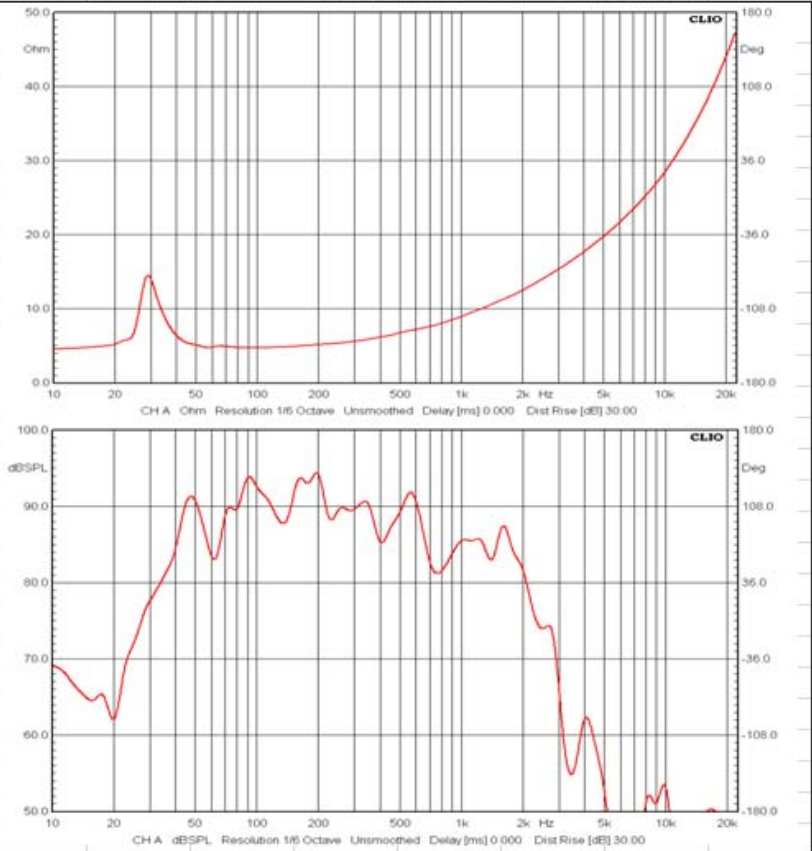
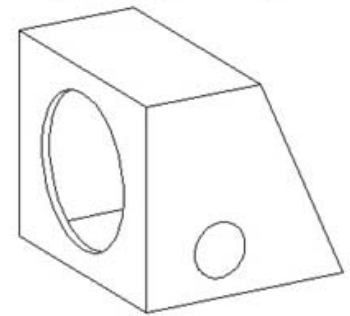


SPEAKER SPECIFICATIONS

Model Number:	PLPW15D		
GENERAL SPECIFICATIONS			
Nominal Diameter:	15 inch		
Rated Impedance:	4 ohms+4 ohms		
Operating Bandwidth:	40-1.5k hz (-6dB)		
Power Handling Capacity:	1000 Watts		
Sensitivity (1W/M):	90 dB (+-3dB)		
Voice Coil Diameter:	2.5 inch		
THIELE-SMALL PARAMETERS			
Resonance Frequency	Fs:	29.02 HZ	
DC Resistance	Re:	3.4ohm+3.4ohm	
Mechanical Q Factor	Qms:	3.94	
Electrical Q Factor	Qes:	0.5199	
Total Q Factor	Qts:	0.4593	
Equivalent Cas air load	Vas:	195.68 L	
Surface Area of Cone	Sd:	0.082 m ²	
Efficiency Bandwidth Product	EBP	55.8	
Voice Coil Over Hang	X-max	8 mm	
PHYSICAL INFORMATION			
Basket:	Black Stamp Steel		
Magnet Type:	50 OZ		
Cone Material:	Non-press Cone		
Surround:	Foam		
Dust Cap:	PP		
Damper:	cloth		



Sealed Box



Vented Box

Suggested enclosure parameters	Sealed		Vented	
	Small	Large	Small	Large
Enclosure volume, cu. ft.	2.1	NA	2.1	NA
Vent length, inches	-	-	9.0	-
Vent diameter, inches	-	-	6.0	-
Enclosure Frequency, Hz	59.7	-	-	-
Fb Tuning Frequency of Vented Enclosure, Hz	NA	-	44	-
F3 Systems 3dB Down Point (Sealed), Hz	42	-	-	-