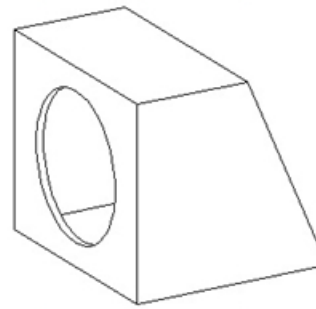
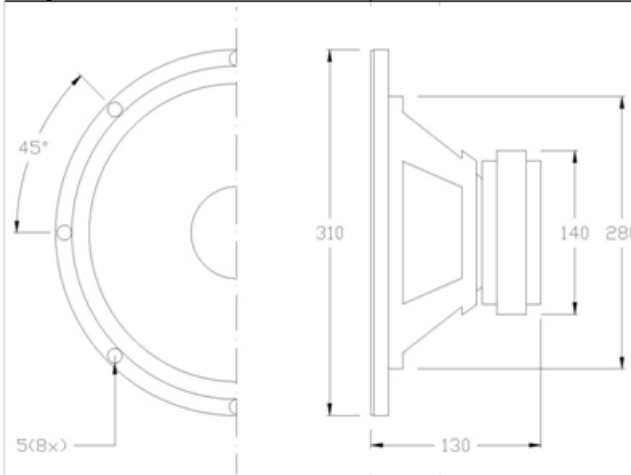
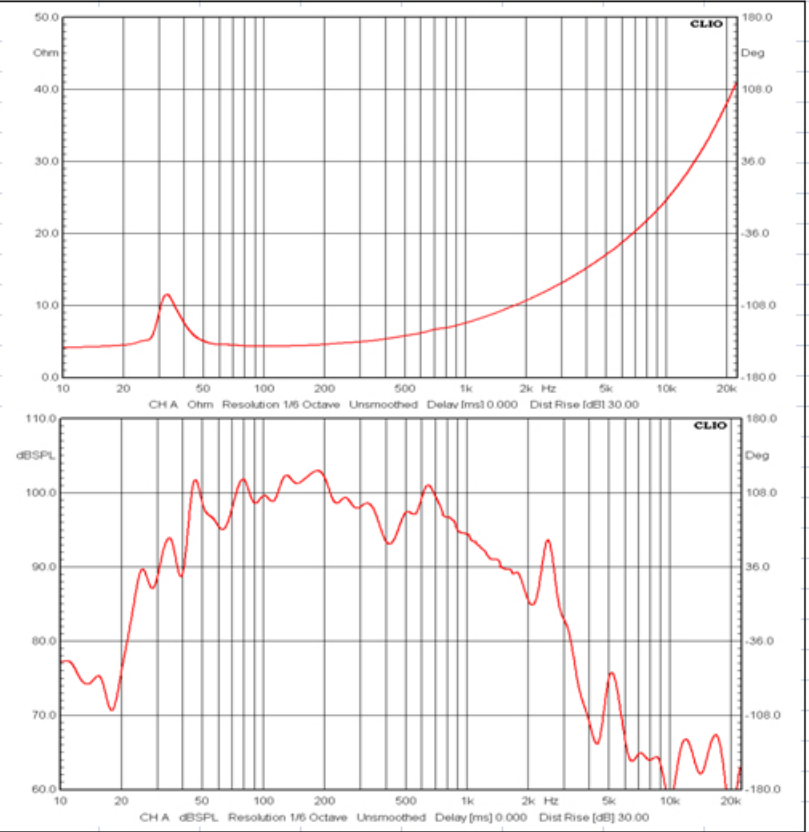


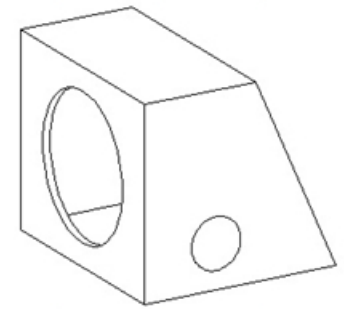


SPEAKER SPECIFICATIONS

| | | |
|--------------------------------|-------------------|-----------------------|
| Model Number: | PLPW12D | |
| GENERAL SPECIFICATIONS | | |
| Nominal Diameter: | 12 inch | |
| Rated Impedance: | 4 ohms+4 ohms | |
| Operating Bandwidth: | 40-2k hz (-6dB) | |
| Power Handling Capacity: | 1600 Watts | |
| Sensitivity (1W/M): | 90 dB(+3dB) | |
| Voice Coil Diameter: | 2 inch | |
| THIELE-SMALL PARAMETERS | | |
| Resonance Frequency | Fs: | 32.859 HZ |
| DC Resistance | Re: | 3.4ohm+3.4ohm |
| Mechanical Q Factor | Qms: | 3.48 |
| Electrical Q Factor | Qes: | 0.6311 |
| Total Q Factor | Qts: | 0.5342 |
| Equivalent Cas air load | Vas: | 84.08 L |
| Surface Area of Cone | Sd: | 0.0511 m ² |
| Efficiency Bandwidth Product | EBP | 52 |
| Voice Coil Over Hang | X-max | 6 mm |
| PHYSICAL INFORMATION | | |
| Basket: | Black Stamp Steel | |
| Magnet Type: | 40 OZ | |
| Cone Material: | Non-press Cone | |
| Surround: | Foam | |
| Dust Cap: | PP | |
| Damper: | cloth | |



Sealed Box



Vented Box

| Suggested enclosure parameters | Sealed | | Vented | |
|---|--------|-------|--------|-------|
| | Small | Large | Small | Large |
| Enclosure volume, cu. ft. | 1.5 | NA | 1.5 | NA |
| Vent length, inches | - | - | 9.0 | - |
| Vent diameter, inches | - | - | 3.0 | - |
| Enclosure Frequency, Hz | 56 | - | - | - |
| Fb Tuning Frequency of Vented Enclosure, Hz | NA | - | 44 | - |
| F3 Systems 3dB Down Piont(Sealed), Hz | 42 | - | - | - |