

PYLE®



PLCMTR104

Commercial Grade Safety Camera & Video System

USER MANUAL

PLCMTR - Commercial Grade Camera System

Please read instructions carefully before installation and use. Installation should be performed by a professional installer.

To ensure your safety, the driver should not watch videos or operate features on the monitor while driving. There are no serviceable parts in this unit, do not disassemble or try to repair this unit. If the unit malfunctions please return to your vendor or send to a Pyle repair facility. Please observe and obey the local laws and regulations when installing the unit. Upon Installation, please make sure as to not to interfere with any of the vehicle's safety features, wiring, components, etc. We are not responsible for any damages, injury, malfunctions or otherwise noted due to faulty or non-professional installation.

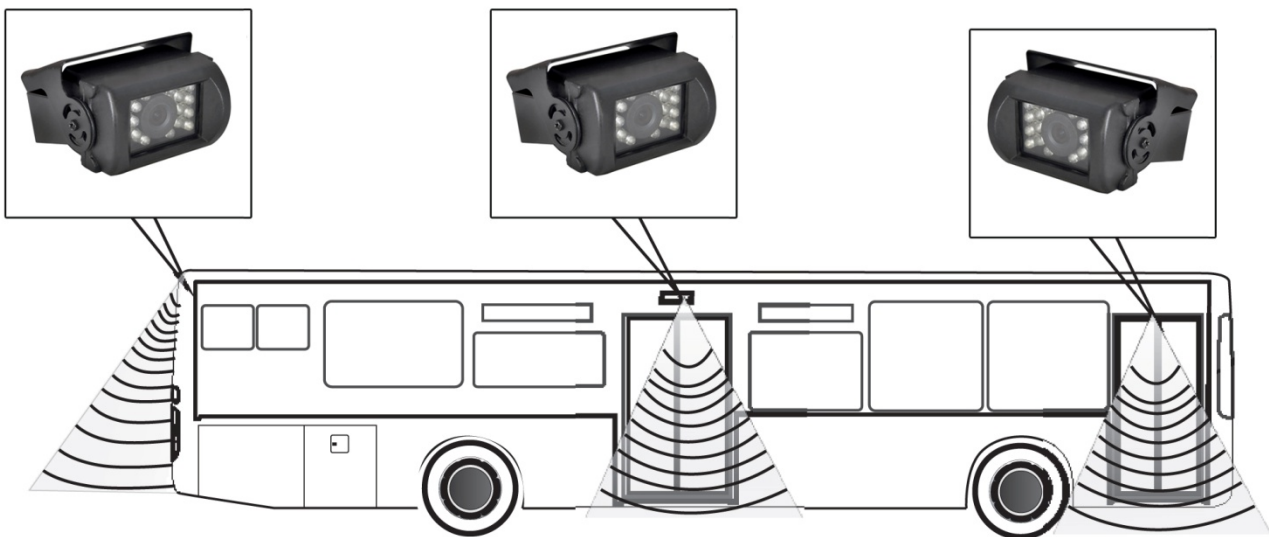
Connection

Connect the camera's threaded locking 4-pin cable connectors into the female receiving connection of the included 4-pin extension cables. The extension cables then connect to your compatible video monitors with 4-pin receiving connectors. The threaded locking cable connectors of the camera serve to provide power and video for all cameras.

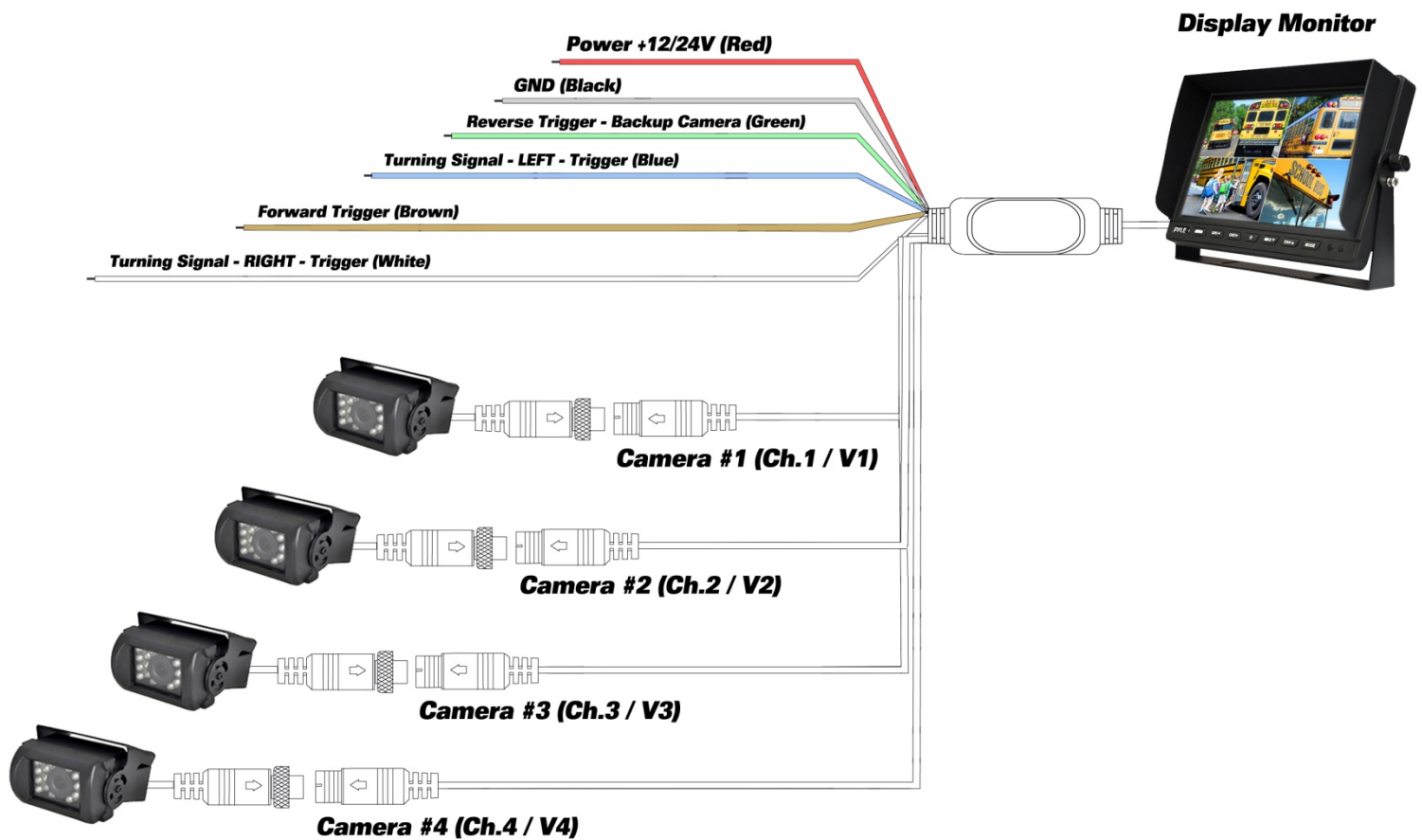
(camera 1 - channel 1, camera 2 - channel 2, camera 3 - channel 3, camera 4 - channel 4)

Please remember to disconnect your vehicle's battery prior to any connection / installation. Use the included wiring harness to provide power and video signals to your monitor. There are colored wires to assist in the video camera system setup. See the wiring diagram for connections between cameras, monitor and your vehicle

Versatile Mounting Installation



Wiring & Connection



Ch.2 / V2 is used as the rearview cameras as the backup camera input

Red: Power 12/24V

Black: GND

Green: Reverse Trigger (Backup Camera)

Blue: Turning Signal - Left - Trigger

White: Turning Signal - Right - Trigger

Brown: Forward Trigger

When the Reverse Trigger (Green) wire is connected and powered through the vehicle, the display monitor will automatically switch to Ch.2 / V2 when placing your vehicle into reverse gear

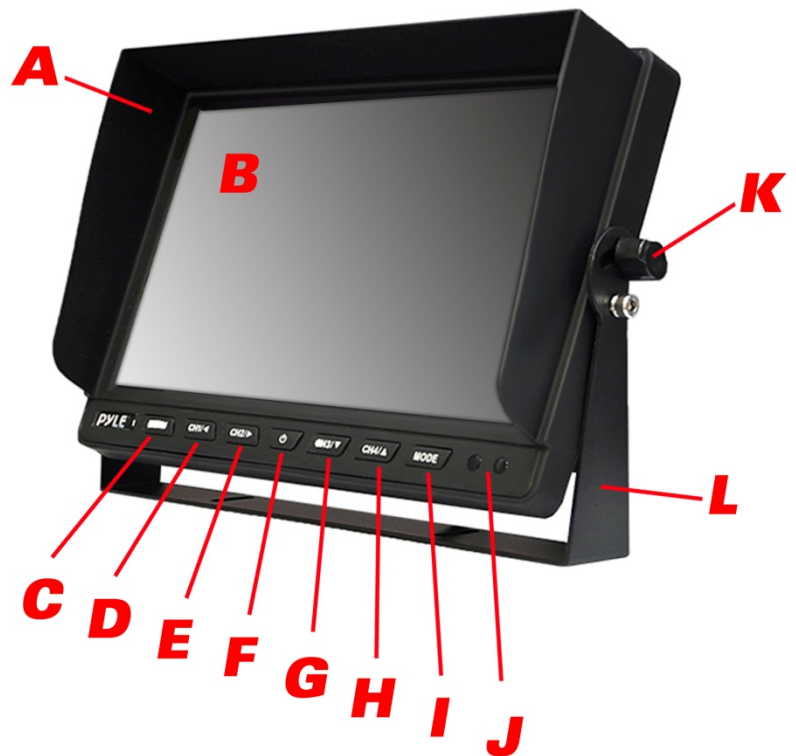
PLCMTR - Commercial Grade Camera System

The video monitor is provided power and camera video signals via the video and power wiring harness. From the monitor, you will be able to control Ch. 1, Ch. 2, Ch.3 and Ch.4, input video cameras (V1, V2, V3, V4).

The monitor also features the ability to rotate the input camera image (Left / Right) to accommodate for camera placement in the rear of the vehicle (Rear view camera compatibility).

7" Display Monitor

A	Sun Shade
B	LCD Display
C	Menu
D	Ch.1 - Camera 1
E	Ch.2 - Camera 2
F	Power
G	Ch.3 - Camera 3
H	Ch.4 - Camera 4
I	Mode View Switch
J	R/C Window
K	Angle / Tilt Screen Adjustment Knob
L	Mounting Stand Bracket



Please note, in cold weather and temperatures, the display monitor may require some time to 'warm up' to clearly display a picture on the display.

Quad-View Control

Single Full View / Split Dual Video View / Quad Four Source View

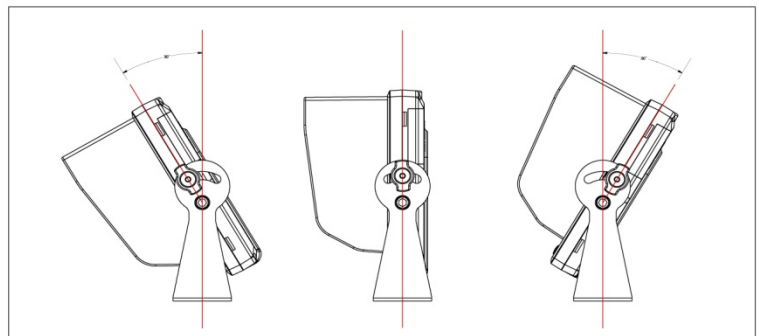
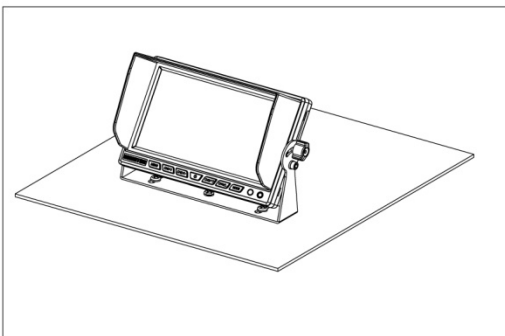
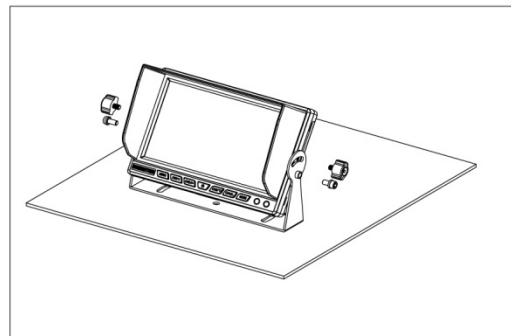
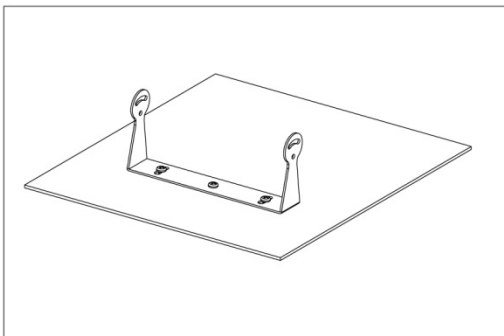
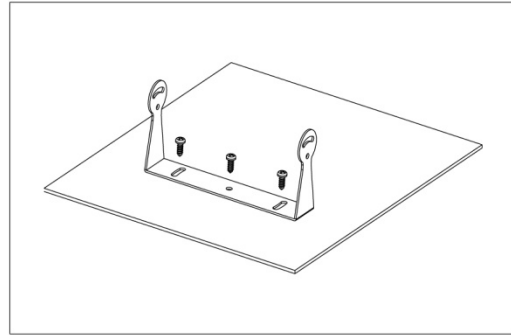
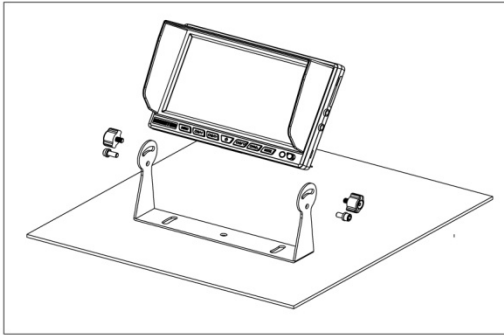
The monitor button controls feature selectable viewing modes. The operator can choose to set to:

Single full view (1 picture - from one camera input source)

Split dual view (2 picture - from two camera input sources)

Split quad four source view (4 picture - from four camera input sources)

Monitor Stand Mounting



The U-shaped mount stand bracket separates from the LCD display housing for attachment / fixture. The U-shaped bracket attached to the desired location via 3 screw holes located at the base of the bracket. Please remove the LCD display monitor from the bracket before attempting to secure the bracket to your desired location.

Once screwed into the desired location, attach the LCD display monitor housing and tighten with the tightening knob to the side of the housing. Adjust the angle / tilt of the LCD display before tightening the side knob.

PLCMTR - Commercial Grade Camera System

Model: PLCMTR104

Weatherproof Rearview Backup Camera & Monitor Video System, 10" Display Screen, (4) Night Vision Cameras, Commercial Grade, Dual DC Voltage 12-24 for Bus, Truck, Trailer, Van

Camera & Monitor Video System

View All (4) Cameras On-Screen at the Same Time

Includes All Necessary Cables & Wiring

Monitor:

10.1" TFT/LCD Active Matrix Video Monitor

Built-in Quad Control Box Screen Function

Supports up to (4) Video Camera Inputs (V1/V2/V3/V4)

Selectable Viewing Modes: Single Full View / Split Dual Video View / Quad Four Source View

Reverse Image (Backup Camera) Ability

Aspect Ratio: 16:9 Widescreen Format

PAL/NTSC Video Format Compatible

Signal Sense: Auto Power-On Reversing

High Resolution: 1024 x 800 Pixels

Universal Stand & Anti-Glare Sun Visor

4-Pin Video Connectors

Power Requirement: DC 12-24V

Operating Temperature: -20 to +145 F

Dimensions (W x H x D): 11.22" x 7.20" x 2.91"

Camera:

Includes (4) Mountable Cameras

Weatherproof Rearview Camera System

LED IR Night Vision Illumination

Marine Grade IP68 Rating

Min Illumination: 0.2Lux

Image Sensor: Color CMD

Video System: PAL/NTSC Auto Switching

Effective Pixels: 580 x 540

Resolution: 420 Lines

Lens Angle: 170 Degree

Auto Image Adjustment

Video Output 1.0V pp-75 Ohm

Designed for Car/Truck use 12-24 Volt Systems

Camera Dimensions (W x H x D): 3.18" x 2.95" x 2.17" -Each

Includes (4) 4-pin 50' Foot (15 Meter) Communication Cables x 4