

PYLE®



PLCM44

Backup Camera & Monitor System

USER MANUAL

Please read all of the installation instructions carefully before installing the product. Improper installation will void manufacturer's warranty. The installation instructions do not apply to all types of vehicles, and are written as guidelines to assist in installing the system. Please consult an experienced technician if you are not comfortable installing the product. Prior to using and installing the Backup Camera System, please read the safety information provided in this user manual. Be sure to use the product as outlined in this user manual. Altercation or modifications carried out without appropriate authorization may invalidate the user's right to operate the equipment.

WARNING: Failure to read and follow these warnings and instructions may result in serious injury, including damaged property, so please pay close attention and exhibit the utmost care.

- The Digital Backup Camera is designed as an aid to the driver in detecting potentially hazardous driving conditions, obstructions, and large stationary objects. You, the driver, must also remember to drive safely and properly. Use of the Digital Backup Camera is not a substitute for safe, proper and legal driving practices.
- Never back up while looking only at the screen. You should always check behind and around the vehicle when backing up just as you would if the vehicle did not have the Digital Backup Camera. Always make sure your driving area is clear. Always back up slowly and with caution.
- Never depend on the Backup Camera entirely when backing up. The image on the screen is different from actual and real-time conditions. Objects viewed in the rear view monitor differ from actual distances because a wide-angle lens is used. So use the camera as an aid and always follow intended driving practices to properly judge distances from objects.
- The Backup Camera's assisted low lux lighting performance feature is also an aid to a driver. Always use your own eyes to confirm the vehicle's surroundings, as the displayed image may be not well lit or not entirely visible. Always proceed with caution and perform double-checks before proceeding.
- The area displayed by the Backup Camera is limited. It does not display objects that are close to or just below the bumper, underneath the vehicle, or objects out of the camera's view. The camera's view can change according to your vehicle's orientation on the road or changing road conditions.
- Be sure to always check the camera is properly functioning, is properly positioned and securely mounted.
- Make sure your trunk or hatch operates correctly, as intended, before and after installation.
- Proceed with caution when cleaning your vehicle around the camera. Avoid excess water exposure around the camera especially with spraying or a power washer.
- Please make sure to keep the camera clean and unobstructed from any debris
- Follow all traffic laws and motor vehicle regulations.
- Consult local laws and regulations for any restrictions on installation or use.
- Using a Backup Camera System is not adequate enough to completely eliminate a vehicle's blind spot. Always remember to drive with caution, following all traffic laws.

System Installation and Wiring

Camera System installation on diesel vehicles **may** require a slightly different wiring install. These installation instructions do not apply to all types of vehicles. They are meant only as a general guide due to the large number of vehicle makes and models. Consult your local motor vehicle laws on the use of this product to be sure it is permitted. Through installation of this backup camera system, you should be sure as to not degrade, damage or compromise the safety of any system or device on your vehicle. Improper installation and wiring of the vehicle back-up camera system may damage the vehicle's electrical system, including vital vehicle computer and operating systems. That could lead to an accident or fire, causing property damage and /or serious personal injury. It is highly recommended to seek professional installation advice from a qualified auto electrician or, in the alternative, to have the installation performed by a qualified auto electrician.

Please ensure that your monitor is secured and mounted where it would NOT obstruct any OEM vehicle safety features. In an event of an accident, manufacturer is not responsible for bodily injury caused by the monitor being a projectile. Select location for mounting the monitor in desired location. Ensure monitor location will not obstruct your vision while driving. The manufacturer assumes no liability for damage caused to your vehicle due to improper installation or use.

Caution: This unit is designed to operate on a 12V/24V DC NEGATIVE GROUND electrical systems. Connecting to other types of electrical systems will cause damage to your vehicle. Please contact the manufacturer if you are unaware of the system type in your vehicle.

Quick Installation:

The backup camera system is compatible with a wide range of vehicles and video display monitors.

This kit includes necessary wiring and cable connector accessories sufficient for typical connections. However, additional accessory cables and installation materials may be necessary for a completely secure and operational backup camera performance.

Connect the camera, using the red cable, of the DC 12V power cable, to the positive 12V reverse tail light in the rear of your car. You may need to temporarily remove an interior panel or other cover. Then, connect the black wire, of the DC 12V power cable, and ground properly. This connected power and ground cable connects to the camera, and will supply power to the camera directly. *(Red wire is positive, black wire is negative)*

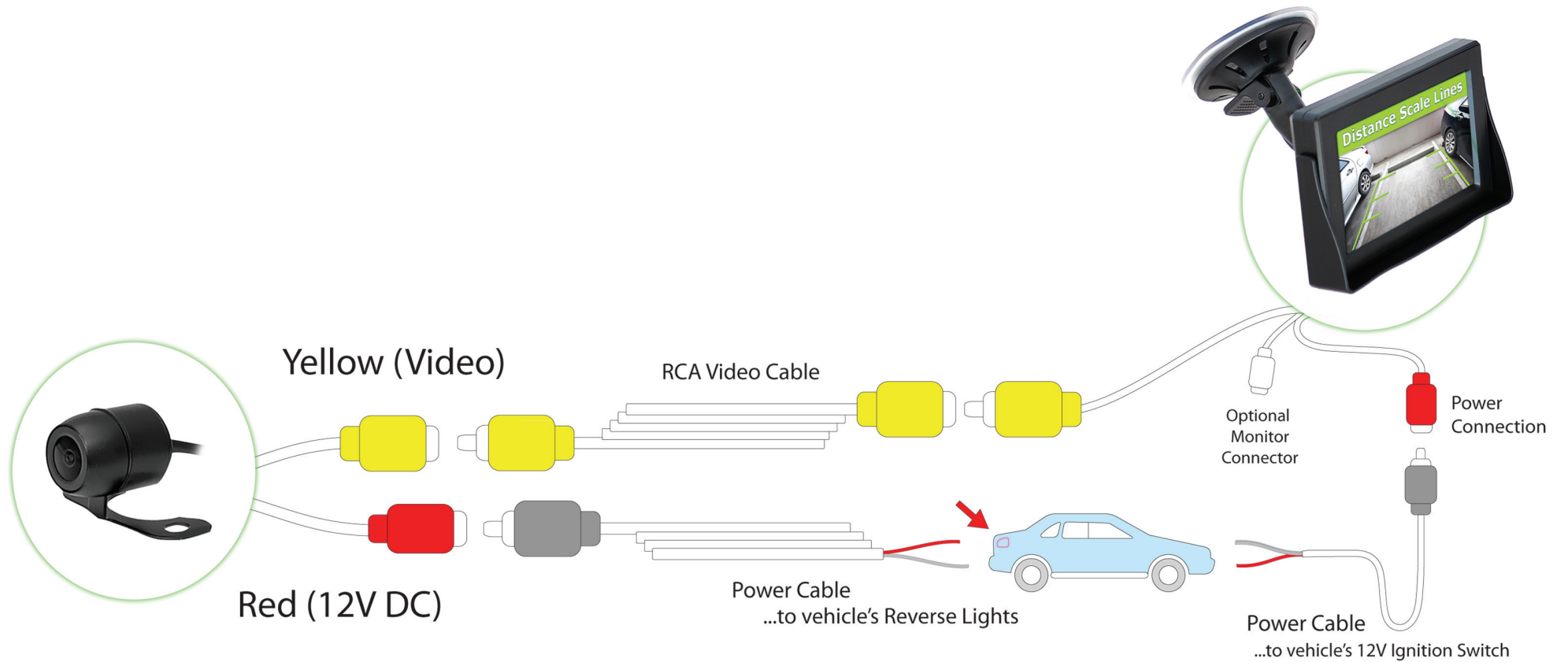
Then use the included yellow RCA video connector cable, and run that cable to the yellow RCA video connector jack of the camera, to the RCA video connector of a compatible video display monitor.

Connect the monitor, using the red cable, of the DC 12V power cable to your vehicle's fuse panel (preferably to the 12V ignition switch) - which will only be powered when your vehicle is on, or activated by key. Then connect the black wire, of the DC 12V input, and ground properly. This connection will supply power to the monitor directly.

- Determine the best location for the camera (The camera is preferably mounted just above the license plate).
- Be sure when running the connection cables to leave a small amount of slack so you can still move the camera around the license plate, if you decide to slightly adjust the camera's positioning at a later time.
- After installation test the camera before use. Placing your vehicle in reverse should provide a picture in the monitor within the rearview mirror assembly.

Mount the camera in the desired location, then connect the included RCA video cable, from the camera, and run the cable through to your video display's RCA connection. Make sure to route all cables and wiring in the least obtrusive route possible as to avoid conflict with other vehicle circuitry and to ensure a safe and stable installation/connection.

Model:
PLCM44



PYLE®