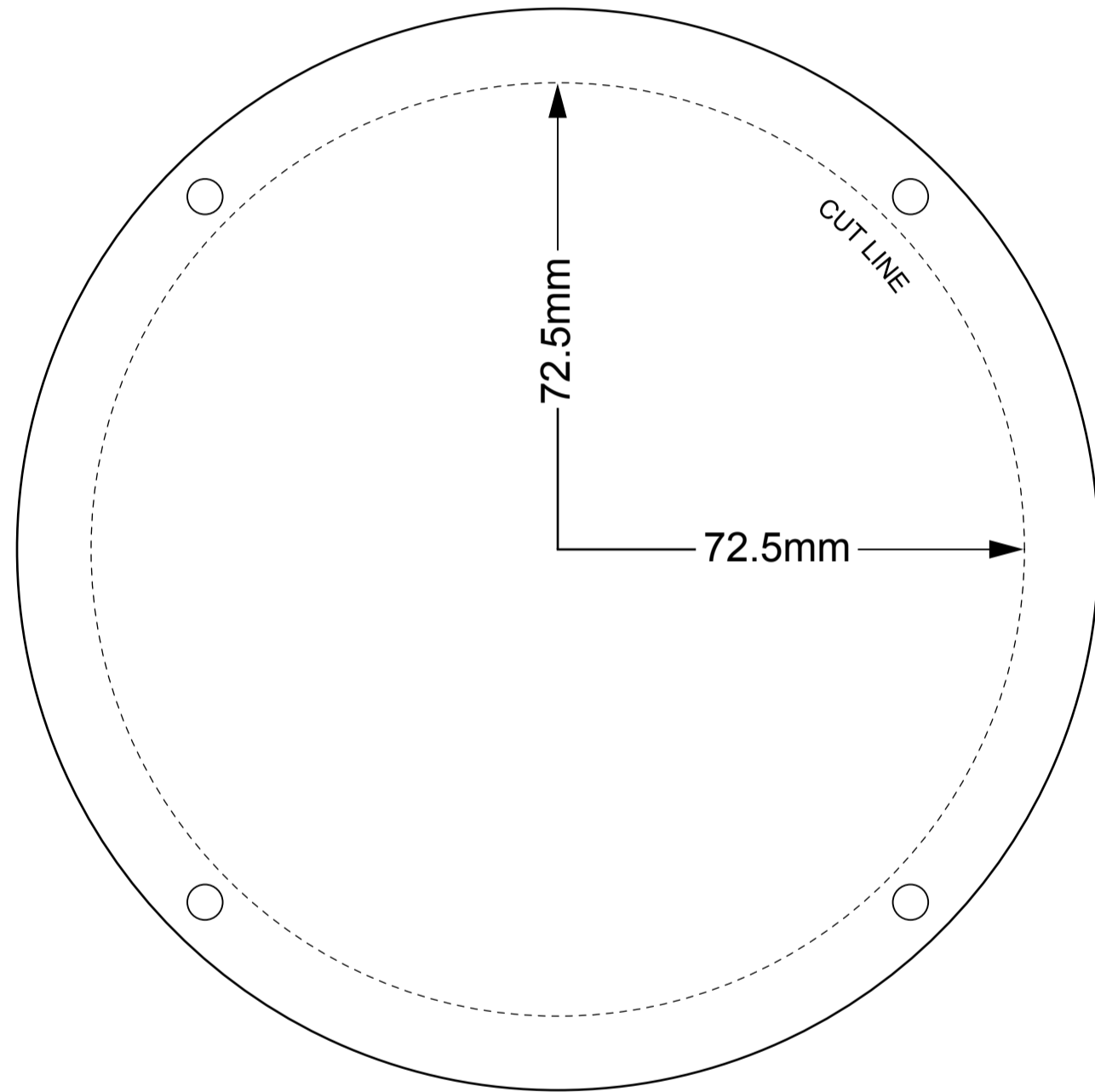


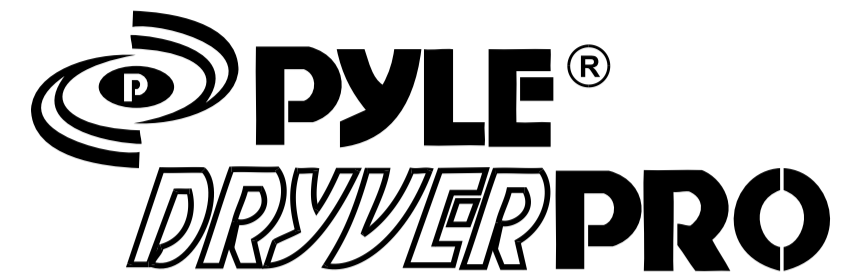


TEMPLATE FOR PMW6A

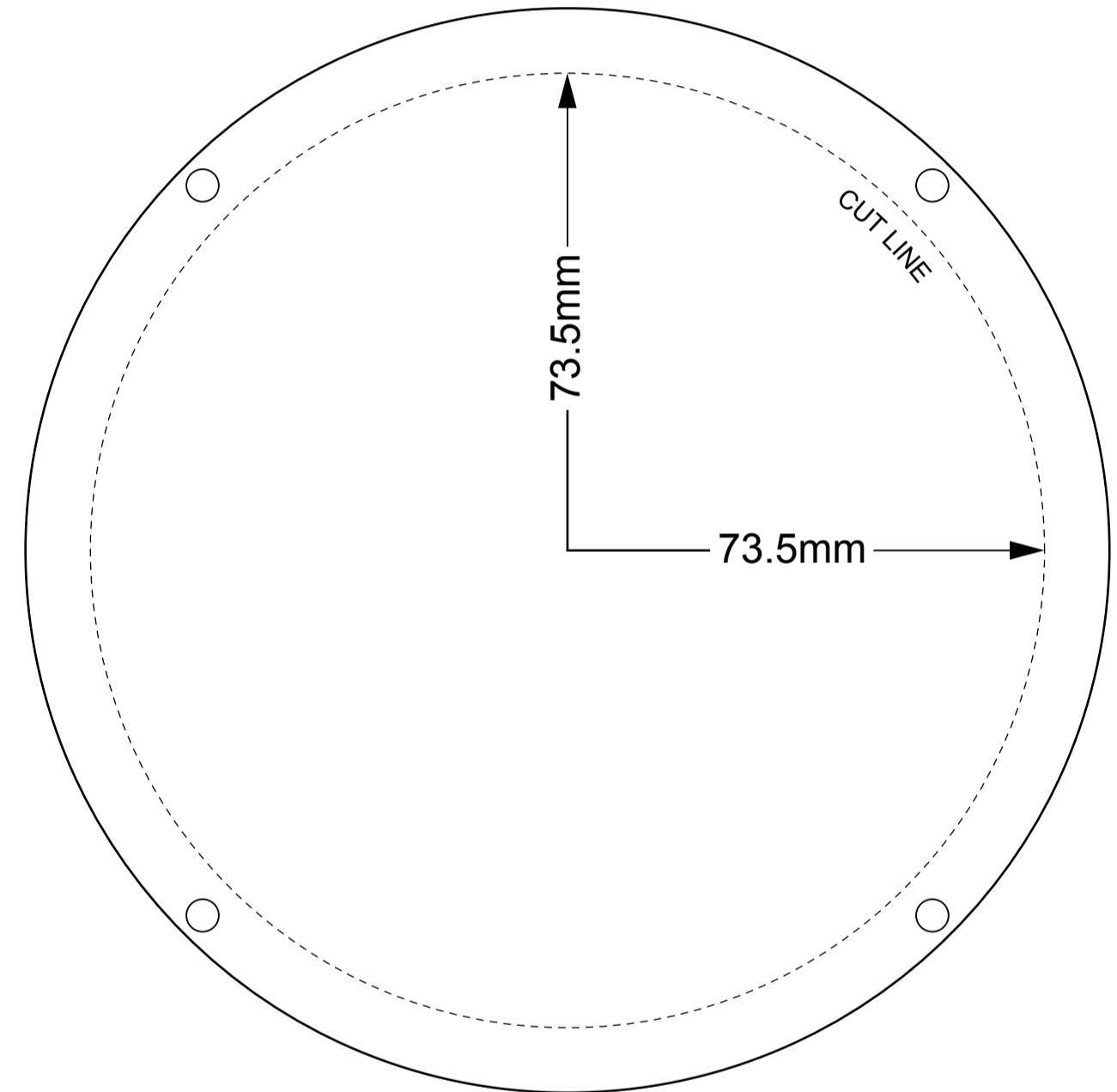


SPEAKER PARAMETER

MODEL	Fo (Hz)	Qms	Qes	Qts	Vas (CuFt)	SPL (dB)	MAX POWER (W)
PMW6A	122	11.52	1.21	1.09	170.714m	97	400



TEMPLATE FOR PDMR6



SPEAKER PARAMETER

MODEL	Fo (Hz)	Qms	Qes	Qts	Vas (CuFt)	SPL (dB)	MAX POWER (W)
PDMR6	321	7.55	5.48	3.18	17.083m	93	300

Looking for dependable car audio and electronics? Rely on Pyle for quality and long-lasting products.