

USER'S MANUAL

PYLE®

Chopper Series

HIGH PERFORMANCE CAR AUDIO AMPLIFIER



PLA-2200
PLA-2210
PLA-2220
PLA-4200

PYLE

congratulations...

Chopper Series

on your purchase of a Pyle Chopper Series amplifier. This amplifier extends the Pyle tradition into a totally new series of amps, designed from the ground up to deliver the power, performance and flexibility the modern car audio enthusiast demands.

When you check the list of features offered by the PLA-2200, PLA-2210, PLA-2220, and PLA-4200 you'll know you made the right choice with a Pyle Chopper amplifier.

PYLE

table of contents

Chopper Series

general features	2-3	2/4 channel input connections	14
features and specifications		PLA-4200	
PLA-2200/PLA-2210	4-5	high level input connections	15
PLA-2220	6-7	PLA-4200	
PLA-4200	8-9	mono input connections	16
electrical connections		PLA-4200	
PLA-2200/2210/2220	10	system wiring speaker connections	17
PLA-4200	11	PLA-2200/PLA-2210/PLA-2220	
stereo input connections	12	speaker connections	18-19
PLA-2200/PLA-2210/PLA-2220		PLA-4200	
mono input connections	13	mounting and installation	20
PLA-2200/PLA-2210/PLA-2220		protection circuitry and troubleshooting	21
		precautions	22

PYLE

general features

Chopper Series

PLA-2200

**High Performance 1400 Watt 2 Channel
High Power MOSFET Amplifier**

- 700 Watts x 2 Output
- 1400 Watts x 1 Bridged Output
- Variable Hi/Lo Electronic Crossover Network
- Variable Input Level (Gain) Control
- Switchable Bass Boost
- Thermal / Overload / Short Circuit Protection
- MOSFET PWM Power Supply
- Power & Protection LED Indicators
- Low Level Inputs
- Gold Plated RCA Inputs & Outputs
- Slim Size Amplifier Design For Easy Installation
- Remote Turn On/Off
- Soft Turn-On Circuit
- Anti-Thump Turn-On
- S/N Ratio: >95dB
- T.H.D: <0.04%
- FREQ. RESPONSE: 15Hz- 30kHz

PLA-2210

**High Performance 1800 Watt 2 Channel
High Power MOSFET Amplifier**

- 900 Watts x 2 Output
- 1800 Watts x 1 Bridged Output
- Variable Hi/Lo Electronic Crossover Network
- Variable Input Level (Gain) Control
- Switchable Bass Boost
- Thermal / Overload / Short Circuit Protection
- MOSFET PWM Power Supply
- Power & Protection LED Indicators
- Low Level Inputs
- Gold Plated RCA Inputs & Outputs
- Slim Size Amplifier Design For Easy Installation
- Remote Turn On/Off
- Soft Turn-On Circuit
- Anti-Thump Turn-On
- S/N Ratio: >95dB
- T.H.D: <0.04%
- FREQ. RESPONSE: 15Hz- 30kHz

PYLE

general features

Chopper Series

PLA-2220

**High Performance 2400 Watt 2 Channel
High Power MOSFET Amplifier**

- 1200 Watts x 2 Output
- 2400 Watts x 1 Bridged Output
- Variable Hi/Lo Electronic Crossover Network
- Variable Input Level (Gain) Control
- Variable Bass Boost
- Sub Sonic Filter
- Thermal / Overload / Short Circuit Protection
- MOSFET PWM Power Supply
- Power & Protection LED Indicators
- Low Level Inputs
- Gold Plated RCA Inputs & Outputs
- Slim Size Amplifier Design For Easy Installation
- Remote Turn On/Off
- Soft Turn-On Circuit
- Anti-Thump Turn-On
- S/N Ratio >95dB
- T.H.D: <0.04%
- *FREQ. RESPONSE: 15Hz- 30kHz*

PLA-4200

**High Performance 2000 Watt 4 Channel
High Power MOSFET Amplifier**

- 500 Watts x 4 Output
- 1000 Watts x 2 Bridged Output (500W x 2 + 1000W x 1)
- Dual Variable Hi/Lo Electronic Crossover Network
- Dual Switchable Bass Boost
- Dual MOSFET PWM Power Supplies
- Variable Input Level (Gain) Control
- Thermal / Overload / Short Circuit Protection
- Power & Protection LED Indicators
- Low Level Inputs
- Gold Plated RCA Inputs & Outputs
- Slim Size Amplifier Design For Easy Installation
- Remote Turn On/Off
- Soft Turn-On Circuit
- Anti-Thump Turn-On
- Tri-Mode Configurable
- S/N Ratio >95dB
- T.H.D: <0.04%
- *FREQ. RESPONSE: 15Hz- 30kHz*

PYLE

features and specifications

Chopper Series

2 ch amp PLA-2200 • PLA-2210

crossover mode selector	When used with normal, full range system, set this switch to "FULL". If you wish to use the internal crossover to power a driver or specific frequency range, use the "LPF" or "HPF" FOR the "LOWPASS" OR HIGHPASS" settings.
input level controls	Enables the matching of input levels to the output levels from head unit (or other signal source). The input sensitivity of adjustment ranges from 6V to 200mV.
crossover frequency control	When crossover mode selector is in HIGHPASS mode, this control sets the lower frequency limit for audio program sent to the speakers. When crossover mode selector is in LOWPASS mode, this control sets the upper frequency limit for audio program sent to the speakers. The crossover is continuously variable adjustment from 40 to 250 Hz.
bass boost level selector	This selector switch permits the bass level an increase of 18dB. (PLA-2200/2210/4200)
bass boost level control	This control permits adjustment of the bass level up to an increase of approximately up to 18dB. (PLA-2220)
sub sonic control	When the sub sonic selector switch is in "ON" mode, this filter control permits continuously variable adjustment from 10 to 100Hz. (PLA-2220)
low level input	This amp features gold-plated RCA type jacks for high impedance input. Use these with car stereo output which uses RCA type connector cables.
high level input	If your car stereo jacks RCA type output, use this adaptor to connect the high-low level input adaptor to connect the speaker output leads of car stereo and the RCA input jacks of amp.
AUX line outputs	This amp features gold-plated RCA jacks for AUX line outputs. Use these outputs. Use these for unlimited system expansion to the next CHOPPER.
power LED	This indicator is illuminated in GREEN when power is applied.
protection LED	This indicator is illuminated in RED when the built-in protection circuitry is activated.
power fuse	The fuse protects the amplifier and your car's electrical system from short circuit conditions.
power terminals	Use these connectors to deliver power, ground, and remote turn-on control to the amplifier.
speaker connectors	These terminals are 14K gold plated to guarantee high conductivity and minimum signal loss.

output power @ 14.4v DC, 1KHz	PLA-2200	PLA-2210
RMS Power @ 4 Ohms	80 Watts x 2	120 Watts x 2
THD @ 4 Ohms	140 Watts x 2	200 Watts x 2
RMS Power @ 2 Ohms	140 Watts x 2	200 Watts x 2
THD @ 2 Ohms	220 Watts x 2	320 Watts x 2
Maximum Power Output	700 Watts x 2	900 Watts x 2
bridged Power at 4 Output	160 Watts x 1	240 Watts x 1
frequency response	15 Hz-30 KHz	
input impedance		
low level inputs	10K Ohms	
input sensitivity		
low level inputs	250mV	
S/N ration	>95dB	
channel separation	>65dB	
crossover filters		
low Pass	40 Hz-250 Hz	
high Pass	40 Hz-250 Hz	
bass boost	0~ +18dB	
matching speaker impedance		
stereo mode	2-4 Ohms	
bridged mode	4-8 Ohms	
maximum current draw	10Ax2	15Ax2
power supply voltage	14.4V DC Neg. Ground (10.5-16V)	
dimensions (W x H x L)		
mm	270 x 36 x 220	270 x 36 x 305
inches	10.63 x 1.42 x 8.75	10.63 x 1.42 x 12

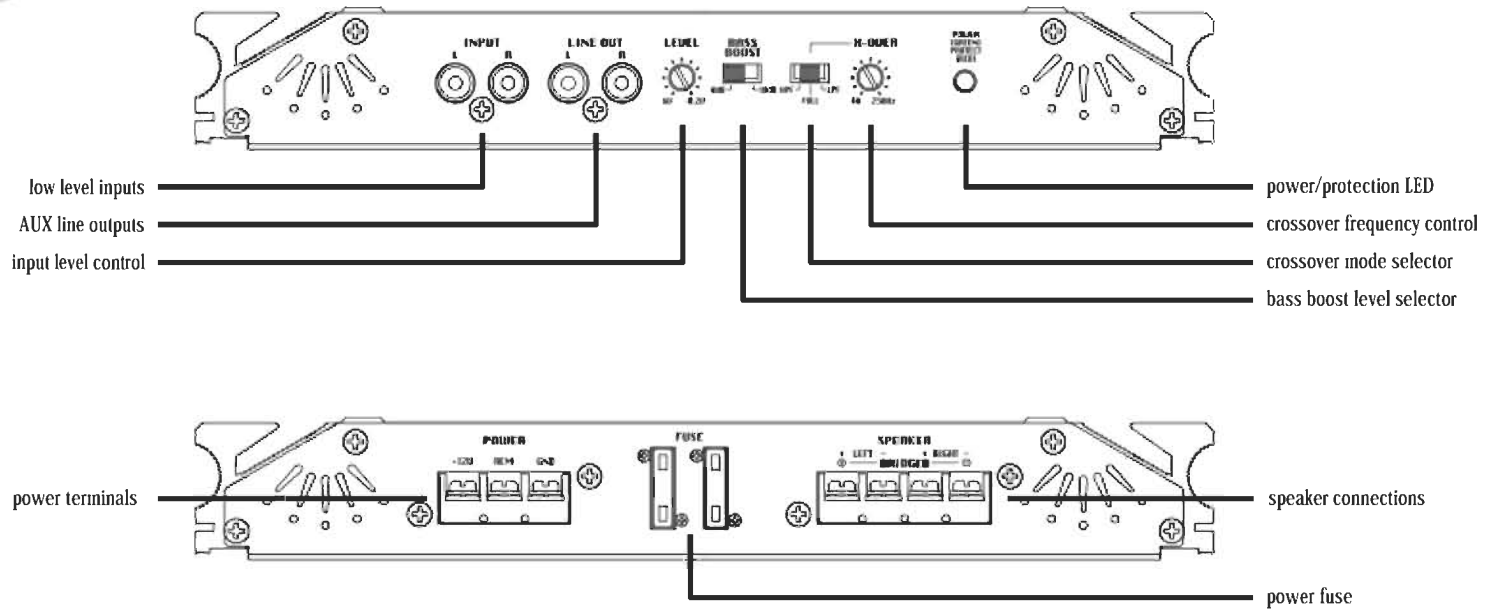
PYLE

features and controls

Chopper Series

2 ch amp PLA-2200 • PLA-2210

PLA-2200
PLA-2210



PYLE

limited warranty policy

Chopper Series a m p l i f i e r s

All Pyle products are carefully constructed and thoroughly tested before shipment. Products purchased in the USA are **warranted** to be free of defects in material and workmanship for **two (2) years from the date** of purchase. This warranty is limited to the original retail purchase.

Should the product fail due to factory defects in material or workmanship, your unit will be repaired or replaced at the sole discretion of Pyle.

To obtain warranty service you must first call our Consumer Return Hotline number at (718) 236-6948 to obtain a Return Authorization number. This R.A.# must appear on the outside of your package and on all paperwork relating to your return.

When returning a product to us for warranty service it must be carefully packed and shipped prepaid to:

R.A.#
Pyle Service Center
1600 63rd Street
Brooklyn, NY 11204

You must also include the following items:

- A copy of your sales receipt or other proof of purchase
- A brief letter indicating the problem you are experiencing
- include in your letter your return address, daytime phone number, and R.A. number
- also include a check or money order for \$18.00 for return shipping, handling, and insurance, or provide your Visa/MC number with expiration date.

Our obligation under this warranty is limited to the repair or replacement of the defective unit when it is returned to us prepaid. This warranty will be considered void if the unit was tampered with, improperly serviced, or subject to misuse, neglect, or accidental damage.

www.pyleaudio.com

PYLE

features and specifications

Chopper Series

2 ch amp PLA-2220

crossover mode selector	When used with normal, full range system, set this switch to "FULL". If you wish to use the internal crossover to power a driver or specific frequency range, use the "LPF" or "HPF" FOR the "LOWPASS" OR "HIGHPASS" settings.
input level controls	Enables the matching of input levels to the output levels from head unit (or other signal source). The input sensitivity of adjustment ranges from 6V to 200mV.
crossover frequency control	When crossover mode selector is in HIGHPASS mode, this control sets the lower frequency limit for audio program sent to the speakers. When crossover mode selector is in LOWPASS mode, this control sets the upper frequency limit for audio program sent to the speakers. The crossover is continuously variable adjustment from 40 to 250 Hz.
bass boost level selector	This selector switch permits the bass level an increase of 18dB. (PLA-2200/2210/4200)
bass boost level control	This control permits adjustment of the bass level up to an increase of approximately up to 18dB. (PLA-2220)
sub sonic control	When the sub sonic selector switch is in "ON" mode, this filter control permits continuously variable adjustment from 10 to 100Hz. (PLA-2220)
low level input	This amp features gold-plated RCA type jacks for high impedance input. Use these with car stereo output which uses RCA type connector cables.
high level input	If your car stereo jacks RCA type output, use this adaptor to connect the high-low level input adaptor to connect the speaker output leads of car stereo and the RCA input jacks of amp.
AUX line outputs	This amp features gold-plated RCA jacks for AUX line outputs. Use these outputs. Use these for unlimited system expansion to the next CHOPPER.
power LED	This indicator is illuminated in GREEN when power is applied.
protection LED	This indicator is illuminated in RED when the built-in protection circuitry is activated.
power fuse	The fuse protects the amplifier and your car's electrical system from short circuit conditions.
power terminals	Use these connectors to deliver power, ground, and remote turn-on control to the amplifier.
speaker connectors	These terminals are 14K gold plated to guarantee high conductivity and minimum signal loss.

output power @ 14.4v DC, 1KHz	PLA-2220
RMS Power @ 4 Ohms	150 Watts x 2
THD @ 4 Ohms	250 Watts x 2
RMS Power @ 2 Ohms	250 Watts x 2
THD @ 2 Ohms	250 Watts x 2
Maximum Power Output	1200 Watts x 2
bridged Power at 4 Output	300 Watts x 2
frequency response	15 Hz-30 KHz
input impedance	
low level inputs	10K Ohms
input sensitivity	
low level inputs	250mV
S/N ration	>90dB
channel separation	>65dB
crossover filters	
low Pass	40 Hz-250K Hz
high Pass	40 Hz-250K Hz
bass boost	0~ +18dB
sub sonic filter	10-100 Hz
matching speaker impedance	
stereo mode	2-4 Ohms
bridged mode	4-8 Ohms
maximum current draw	20Ax2
power supply voltage	14.4V DC Neg. Ground (10.5-16V)
dimensions (W x H x L)	
mm	270 x 36 x 400
inches	10.63 x 1.42 x 15.75

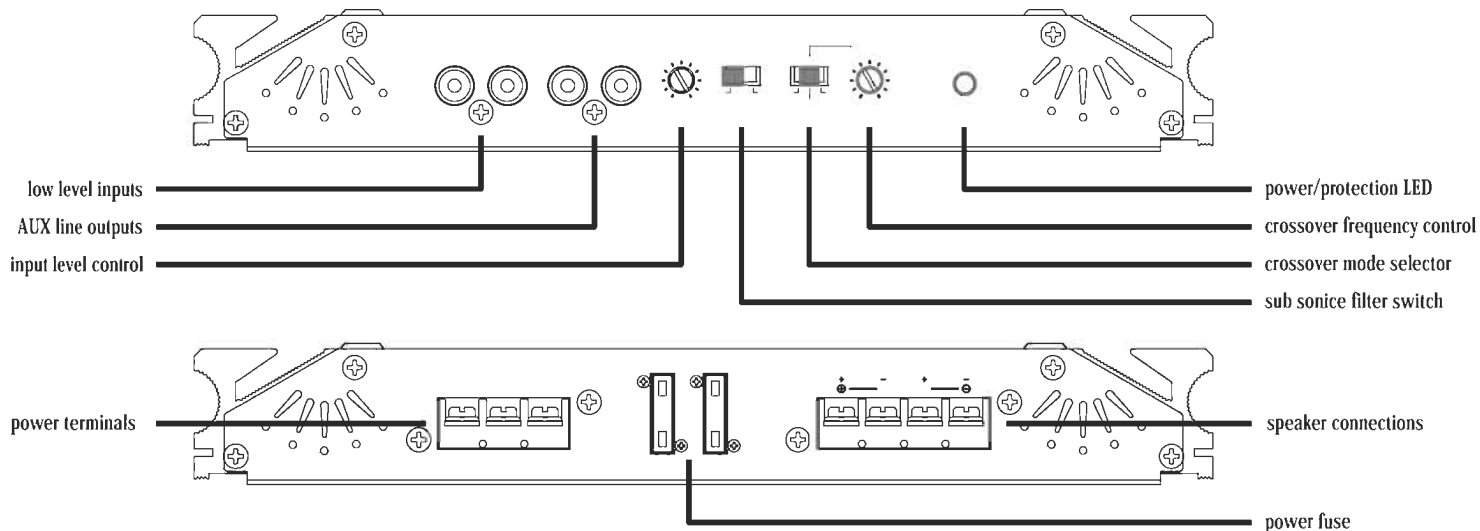
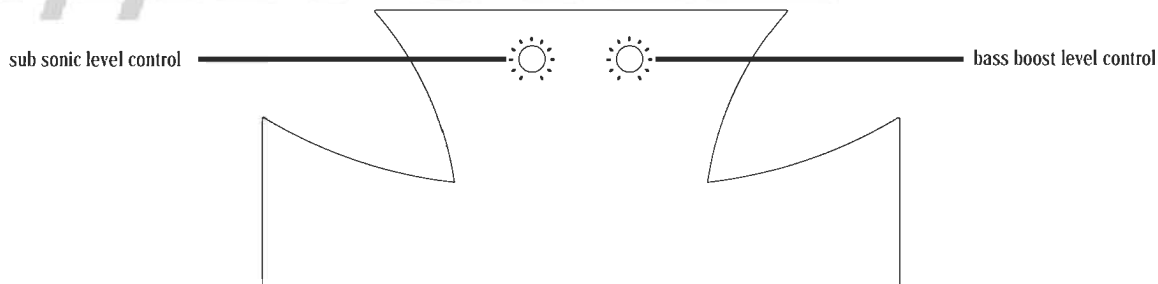
PYLE

Chopper Series

features and controls

2 ch amp PLA-2220

PLA-2220



PYLE

features and specifications

Chopper Series

4 ch amp PLA-4200

- crossover mode selector** When used with normal, full range system, set this switch to "FULL". If you wish to use the internal crossover to power a driver or specific frequency range, use the "LPF" or "HPF" FOR the "LOWPASS" OR "HIGHPASS" settings.
- input level controls** Enables the matching of input levels to the output levels from head unit (or other signal source). The input sensitivity of adjustment ranges from 6V to 200mV.
- crossover frequency control** When crossover mode selector is in HIGHPASS mode, this control sets the lower frequency limit for audio program sent to the speakers. When crossover mode selector is in LOWPASS mode, this control sets the upper frequency limit for audio program sent to the speakers. The crossover is continuously variable adjustment from 40 to 250 Hz.
- bass boost level selector** This selector switch permits the bass level an increase of 18dB. (PLA-2200/2210/4200)
- bass boost level control** This control permits adjustment of the bass level up to an increase of approximately up to 18dB. (PLA-2220)
- sub sonic control** When the sub sonic selector switch is in "ON" mode, this filter control permits continuously variable adjustment from 10 to 100Hz. (PLA-2220)
- low level input** This amp features gold-plated RCA type jacks for high impedance input. Use these with car stereo output which uses RCA type connector cables.
- high level input** If your car stereo jacks RCA type output, use this adaptor to connect the high-low level input adaptor to connect the speaker output leads of car stereo and the RCA input jacks of amp.
- AUX line outputs** This amp features gold-plated RCA jacks for AUX line outputs. Use these outputs. Use these for unlimited system expansion to the next CHOPPER.
- power LED** This indicator is illuminated in GREEN when power is applied.
- protection LED** This indicator is illuminated in RED when the built-in protection circuitry is activated.
- power fuse** The fuse protects the amplifier and your car's electrical system from short circuit conditions.
- power terminals** Use these connectors to deliver power, ground, and remote turn-on control to the amplifier.
- speaker connectors** These terminals are 14K gold plated to guarantee high conductivity and minimum signal loss.

output power @ 14.4v DC, 1KHz	PLA-4200
RMS Power @ 4 Ohms	80 Watts x 4
THD @ 4 Ohms	140 Watts x 4
RMS Power @ 2 Ohms	140 Watts x 4
THD @ 2 Ohms	220 Watts x 4
Maximum Power Output	500 Watts x 4
bridged Power at 4 Output	160 Watts x 2
frequency response	15 Hz-30 KHz
input impedance	
low level inputs	10K Ohms
input sensitivity	
low level inputs	250mV
S/N ration	>95dB
channel separation	>65dB
crossover filters	
low Pass	40 Hz-250 Hz
high Pass	40 Hz-250 Hz
bass boost	0~ +18dB
matching speaker impedance	
stereo mode	2-4 Ohms
bridged mode	4-8 Ohms
maximum current draw	20Ax2
power supply voltage	14.4V DC Neg. Ground (10.5-16V)
dimensions (W x H x L)	
mm	270 x 36 x 360
inches	10.63 x 1.42 x 14.25

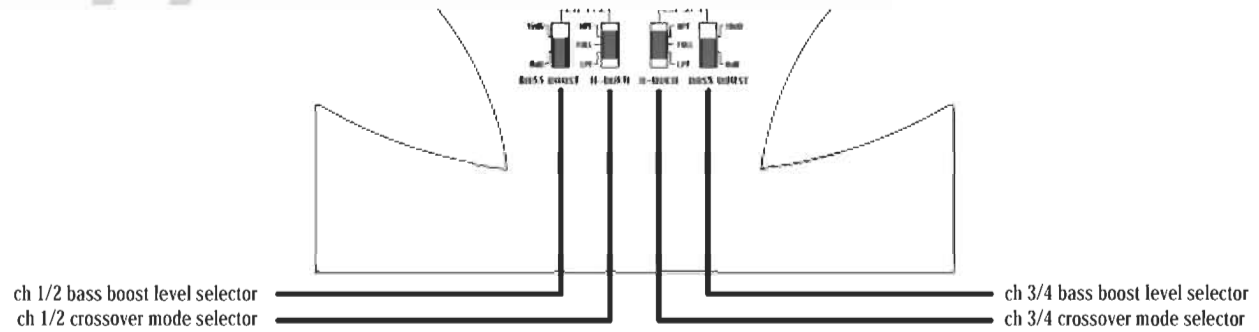
PYLE

features and controls

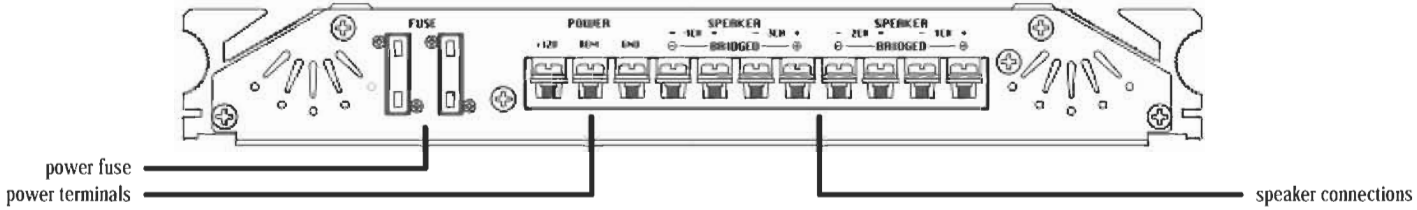
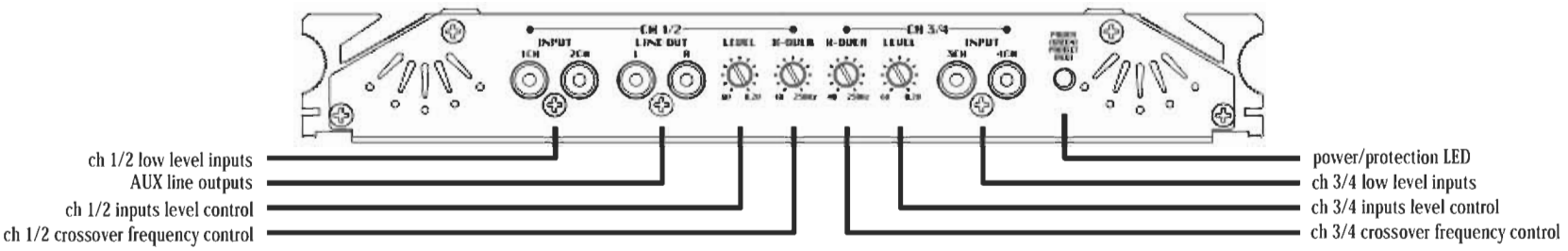
Chopper Series

4 ch amp PLA-4200

PLA-4200



9



PYLE

electrical connections

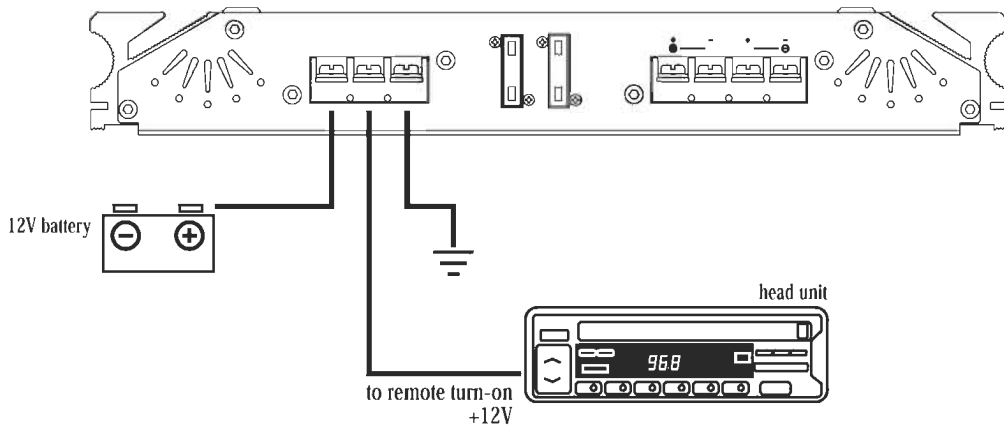
2 ch amp PLA-2200 • PLA-2210 • PLA-2220

Chopper Series

PLA-2200

PLA-2210

PLA-2220



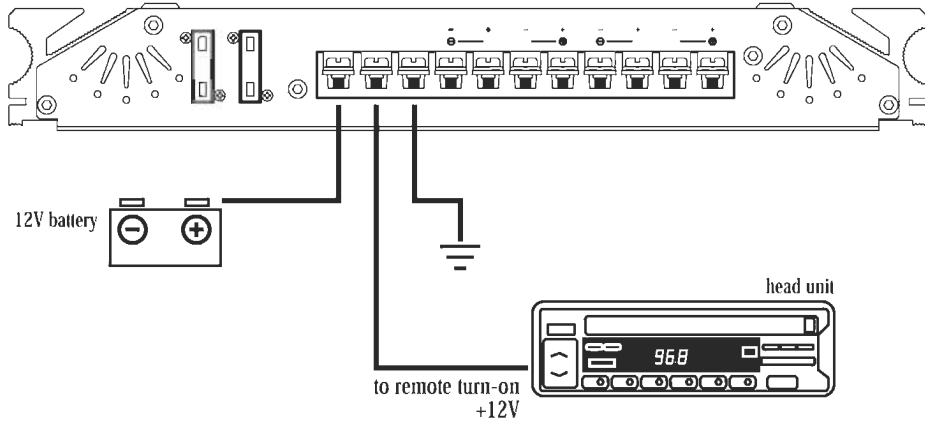
PYLE

Chopper Series

electrical connections

4 ch amp PLA-4200

PLA-4200



PYLE

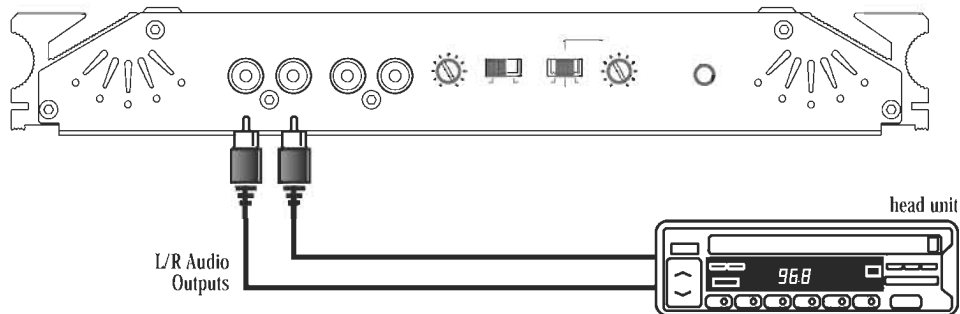
stereo input connections

2 ch amp • PLA-2200 • PLA-2210 • PLA-2220

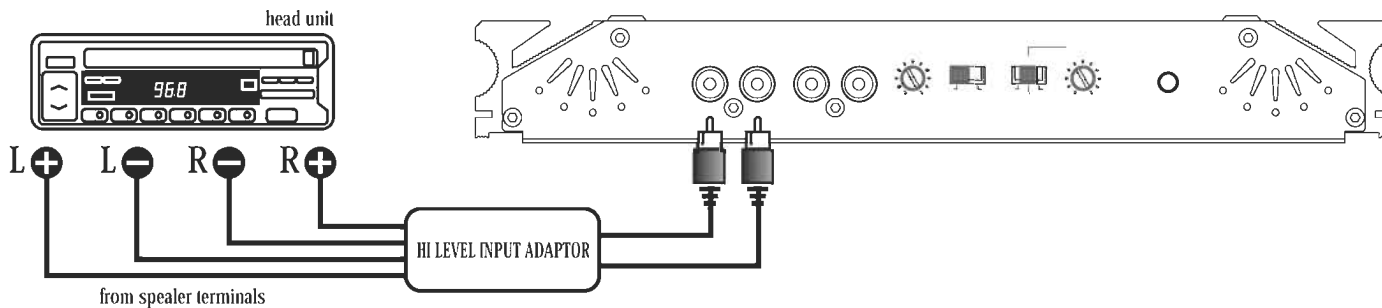
Chopper Series

PLA-2200
PLA-2210
PLA-2220

using low level inputs



using high level inputs



PYLE

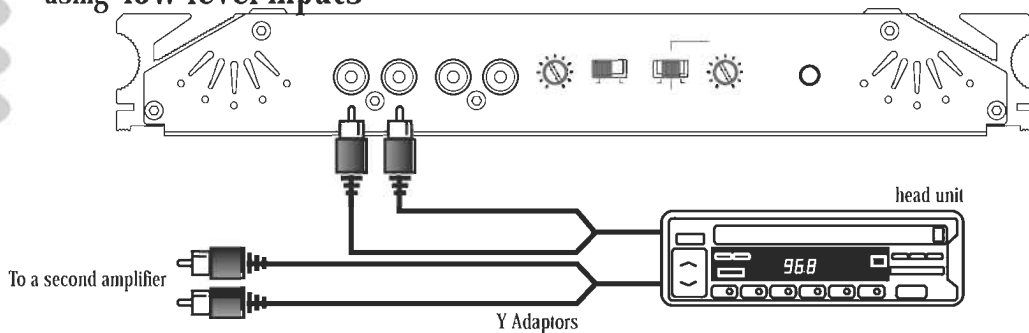
mono input connections

2 ch amp • PLA-2200 • PLA-2210 • PLA-2220

Chopper Series

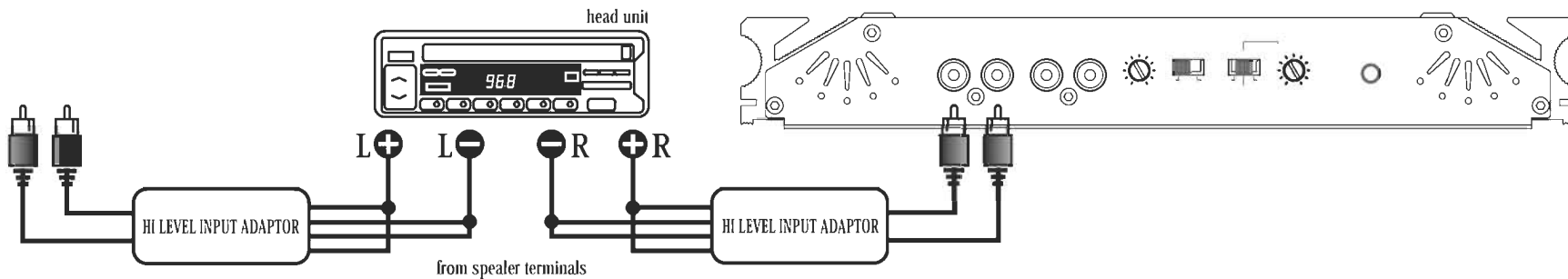
PLA-2200
PLA-2210
PLA-2220

using **low level inputs**



13

using **high level inputs**



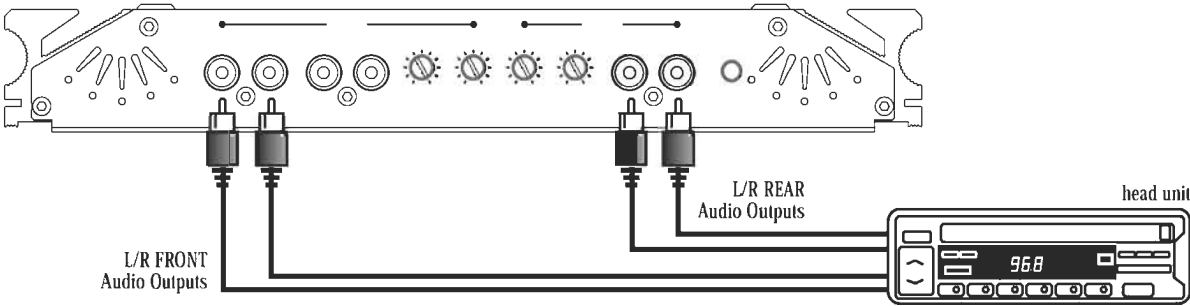
PYLE

2/4 channel input connections

Chopper Series

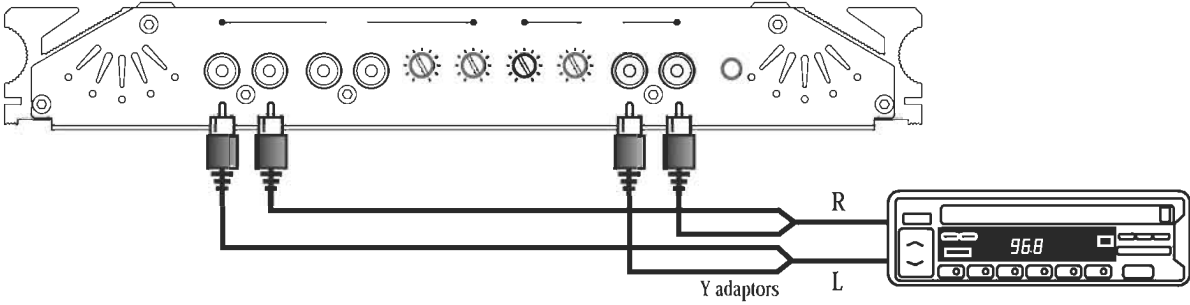
4 ch amp PLA-4200

PLA-4200



14

2 CH input connections using low level inputs



PYLE

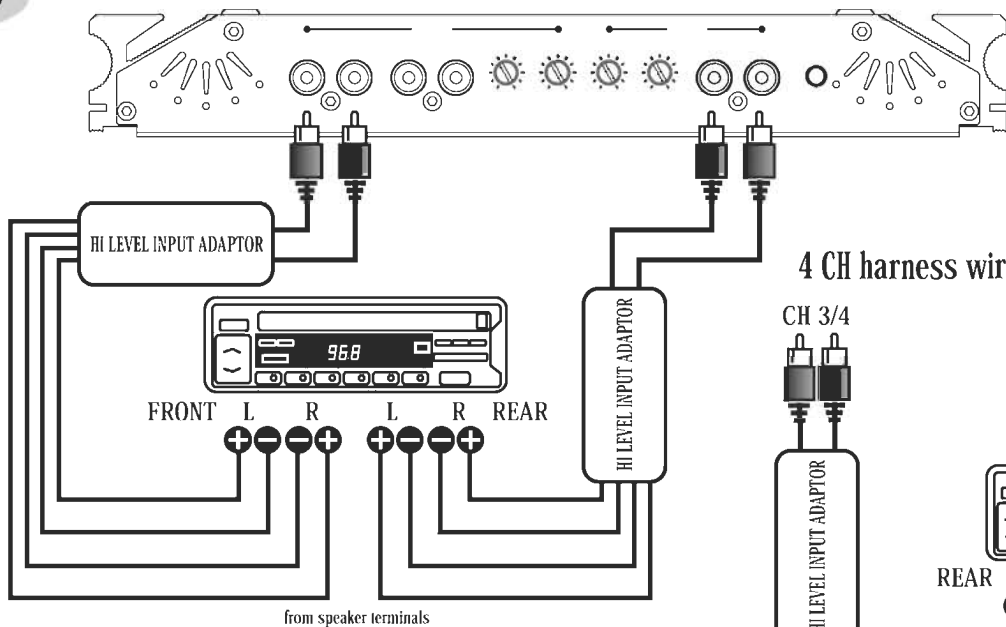
high level input connections

Chopper Series

4 ch amp PLA-4200

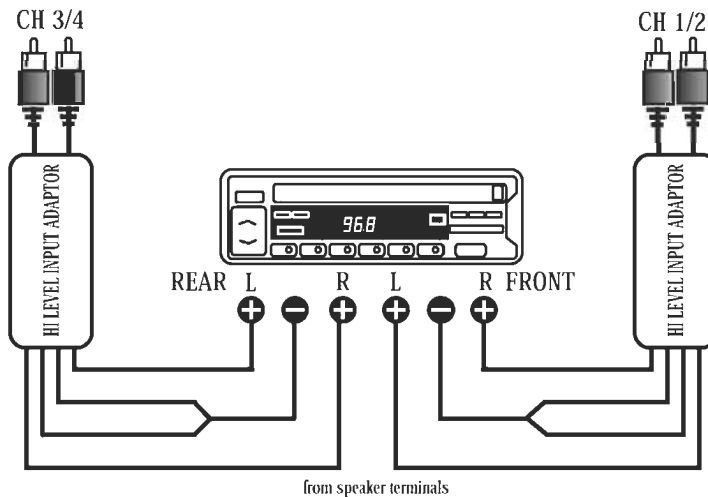
PLA-4200

4 CH floating ground connections



from speaker terminals

4 CH harness wiring for common ground connections



from speaker terminals

PYLE

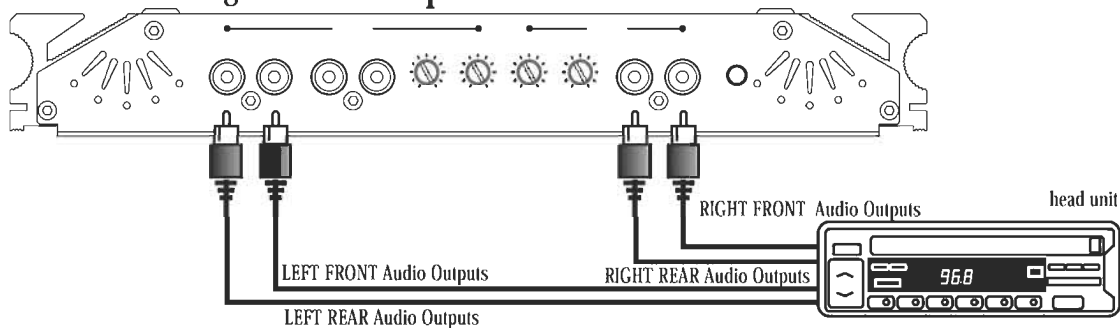
mono input connections

Chopper Series

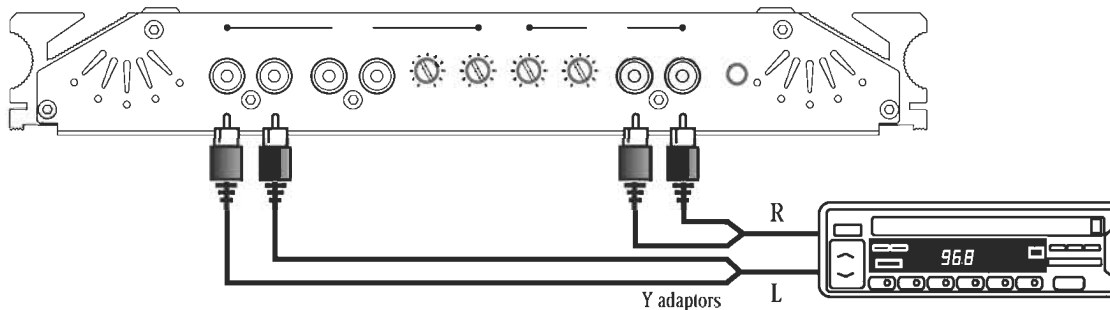
4 ch amp PLA-4200

PLA-4200

4 CH mono input connections using low level inputs



2 CH mono input connections using low level inputs



PYLE

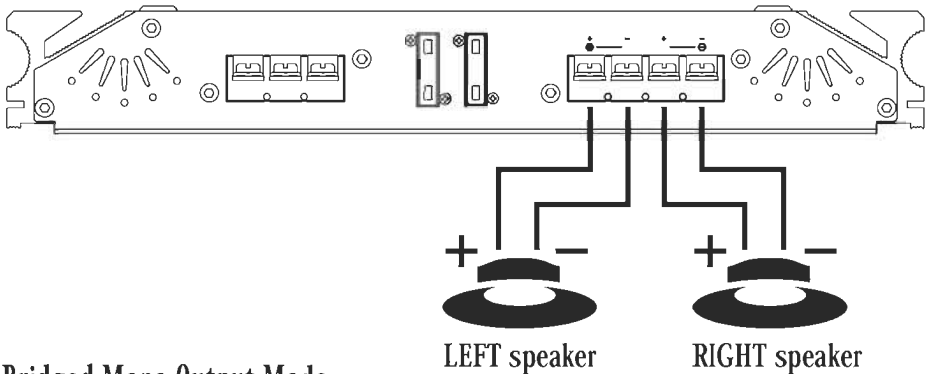
Chopper Series

speaker connections

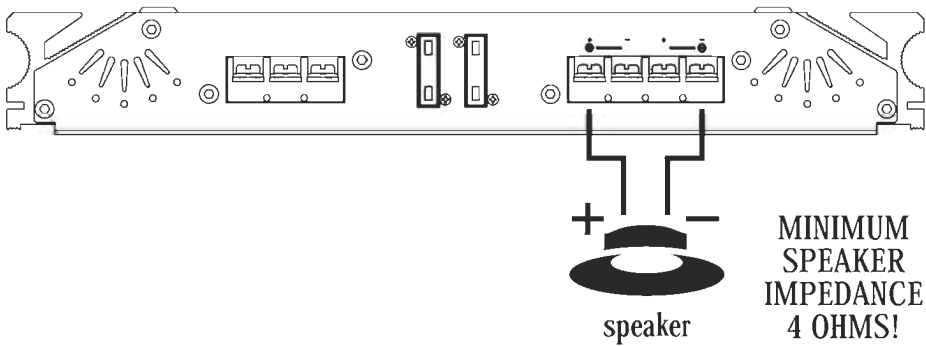
2 ch amp PLA-2200 • PLA-2210 • PLA-2220

- PLA-2200
- PLA-2210
- PLA-2220

Stereo Output Mode



Bridged Mono Output Mode



PYLE

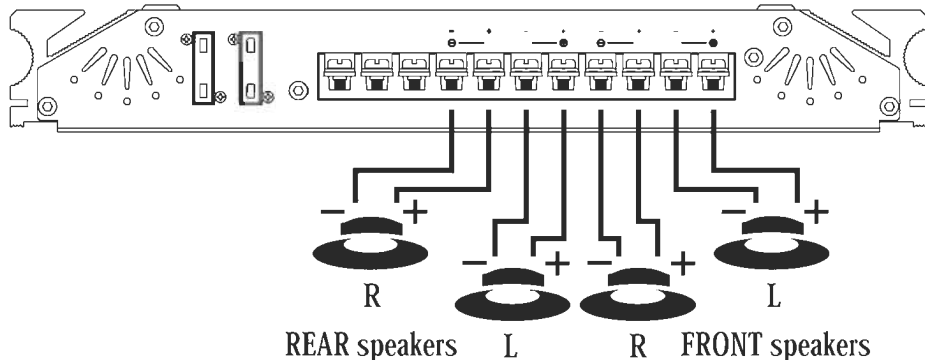
speaker connections

4 ch amp PLA-4200

Chopper Series

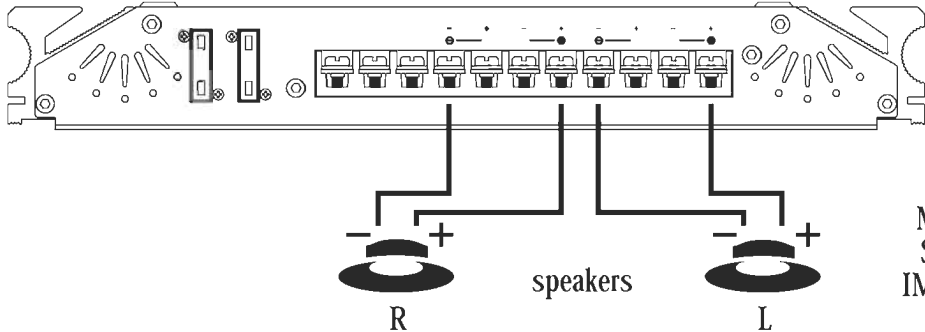
PLA-4200

4 CH Output Mode



18

Bridged Dual Mono Output Mode



MINIMUM
SPEAKER
IMPEDANCE
4 OHMS!

PYLE

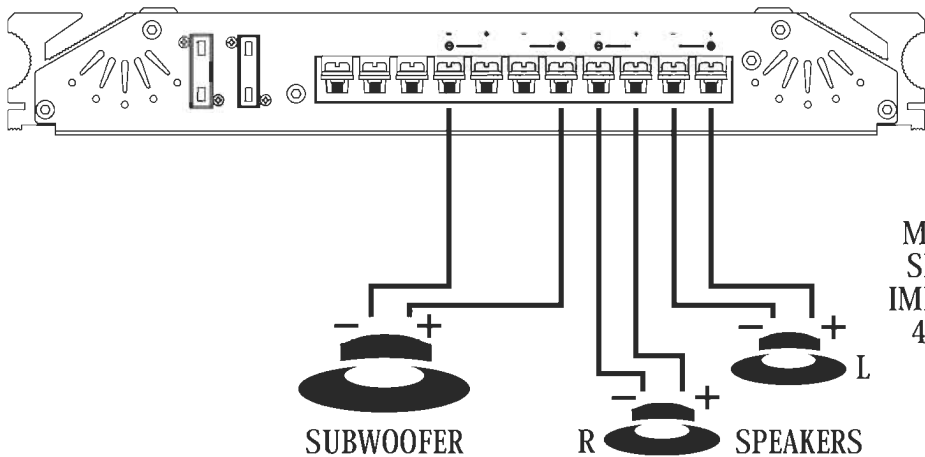
speaker connections

Chopper Series

4 ch amp PLA-4200

PLA-4200

2 CH Stereo Output Mode with Mono Bridged Subwoofer Output



PYLE

mounting and installation

Chopper Series

mounting

Your new Pyle Chopper Series amplifier comes complete with all required mounting hardware. When determining a suitable location in your vehicle for the amp, please remember that it is a high-power electronic device capable of generating high heat.

For this reason, always choose a location in your vehicle which has low vibration, adequate ventilation, a minimum of dust, and no moisture. Be sure to mount the amp in such a manner as to allow reasonable airflow over the cooling fins.

Mark the location for the mounting screw holes by positioning the amp where you wish to install it and use a scribe (or one of the mounting screws) inserted in each of the mounting holes to mark the mounting surface. If the mounting surface is carpeted, measure the hole centers and mark with a felt tip pen.

Before attempting to drill the mounting holes, take note of any wires, lines or other devices in your vehicle which may be located behind the mounting surface! Then drill pilot holes in the mounting surface for the mounting screws and insert them. Tighten the screws securely.

20

wiring tips

When making electrical connections to your amplifier, please observe the following:

Use at least 8 gauge wire for power and ground connections.

Wire the amplifier directly to the car battery.

For the ground connection, use the shortest possible wire to a good chassis ground point.

Wire the Remote connection to the auto start lead of your head unit, equalizer or power antenna.

fuses

About power fuses:

Pyle Chopper Series amplifiers feature built-in fuse systems. These fuses protect both the amplifier and the electrical system in your vehicle from fault conditions. If you ever need to replace the fuse in your Pyle Chopper Series amp, use a fuse of exactly the same type and rating. A different type or rating of fuse may result in damage or fire.

PYLE

Chopper Series

troubleshooting

protection circuitry

The built-in protection circuitry in the Pyle Chopper Series amplifiers will disable the amplifier if it senses an input overload, a speaker short circuit, or extreme temperature conditions.

When the protection circuit is activated by any of these conditions, the Protection LED will be illuminated.

If this occurs, carefully inspect the system to determine the source of the problem.

- If the shutdown was a result of a thermal overload condition, allow the amplifier to cool down before attempting to restart it.
- If the shutdown was a result of an input overload, or speaker short circuit, be sure to correct the condition before restarting.

The amplifier can be restarted by turning the remote power OFF and then ON again.

No output.

Confirm that all terminal strip connections are secure and tight.

Check both in-line and built-in fuses. Both the +12V and the Remote terminals must have +12v referenced to chassis ground.

Confirm that the audio signal source (car radio, equalizer, etc.) is connected and is supplying output signal. To check if the amp is supplying signal, unplug the cables from the signal source (but leave them plugged into the amp). Briefly tap the center pin of each of the disconnected RCA plugs with your finger. This should produce a noise (feedback) in your speakers.

Only one channel works.

Confirm that all terminal strip connections are secure and tight.

Check the Balance control on the head unit (or other source) to verify that it is set to its midpoint.

If you are using the Low Level RCA input, reverse the input plugs at the amplifier (i.e., switch the L with the R). If the channels which is silent switches to the other side, the problem is either in the head unit/other source or the connecting cables.

Weak output.

Readjust the Input Level Control(s) to better suit the input signal.

Noise in the audio.

If the noise is a "whine" whose pitch follows the engine speed, confirm that the amplifier and any other signal sources (head unit, etc.) are properly grounded.

If the noise is a "clicking" or "popping" noise whose rate follows the engine speed, this usually means that the vehicle is equipped with resistor spark plugs and wires, or that the ignition is in need of service.

Check the routing of the speaker and input wires to make sure they are not adjacent to wires which interconnect lights and other accessories.

If the above steps fail to improve or clear noise interference, the system should be checked by a professional mobile audio installer.

PYLE

Chopper Series

notes

precautions

Do not operate the amplifier when it is unmounted. Attach all audio system components securely within the automobile to prevent damage, especially in an accident.

Do not mount this amplifier so that the wire connections are unprotected, or in a pinched condition, or likely to be damaged by nearby objects.

Before making or breaking power connections in your system, disconnect the vehicle battery. Confirm that your head unit or other equipment is turned off while connecting the input jacks and speaker terminals.

If you need to replace the power fuse, do so only with a fuse identical to that supplied with the amplifier. Using a fuse of a different type or rating may result in damage that isn't covered in the manufacturer's warranty.

