

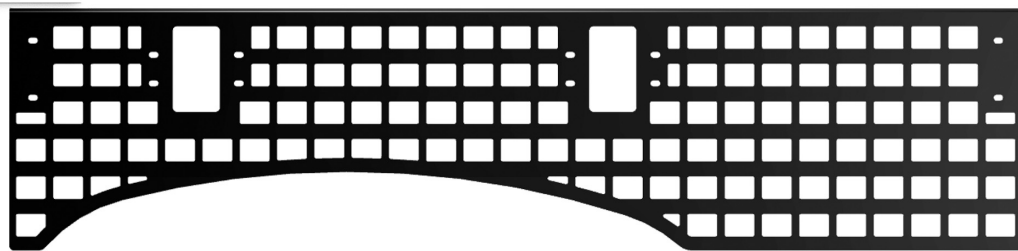
PUTCO®

# MOLLE PANELS

- MODULAR LIGHTWEIGHT LOAD CARRYING EQUIPMENT -

## INSTRUCTION GUIDE

### RAM 1500



SIDE PANEL



**PLEASE READ ALL INSTRUCTIONS BEFORE INSTALLATION  
AND CHECK TO SEE THAT ALL PARTS ARE INCLUDED**

#### REQUIRED TOOLS

PHILLIPS SCREWDRIVER



T30 TORX DRIVER



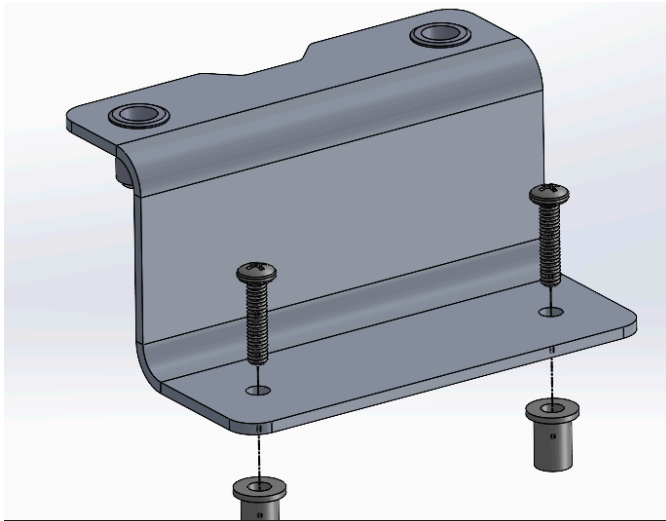
#### CONTENT LIST

DESCRIPTION	QTY
Molle Side Plate	1
Single-Flange Side Mounting Brackets	2
Double-Flange Side Mounting Brackets	2
M6 Torx-Head Bolt	12
5/16" Well Nut	8
8-32 X 3/4" Philip's Head Screw	8

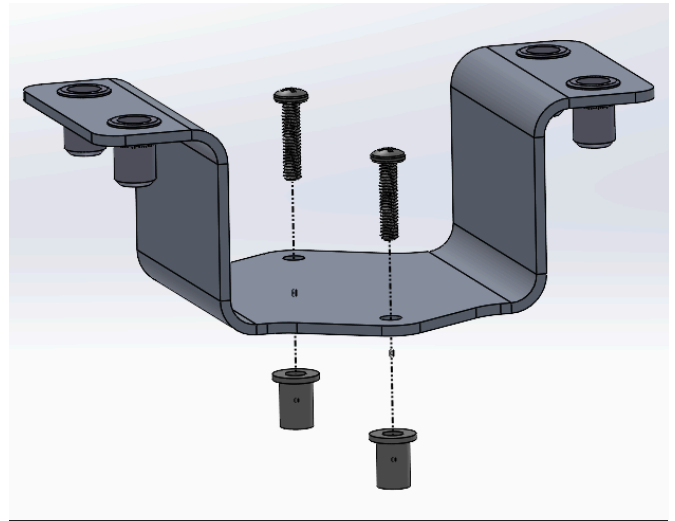


## INSTALLATION INSTRUCTIONS

- 1** Begin by gathering all four of the Single-Flange Side Mounting Brackets and all four of the Double-Flange Side Mounting Brackets.
- 2** Loosely assemble two 5/16" Well Nuts and two Philip's Head Screws onto each of these brackets as shown.



Single-Flange Bracket



Double-Flange Bracket

- 3** Your Light-Duty Ram has hex-shaped holes in the bedsides that will be used to mount the Molle Side Plates. The Double-Flange Brackets mount to the middle sets of holes, and the Single-Flange Brackets mount to the outer sets of holes, as shown. Fasten the brackets to the bed by inserting the Well Nuts into the hex-shaped holes, then tighten the Philip's Head Screws until the Well Nuts are snug in the hex-shaped holes, but do not overtighten.



Light Duty Ram with All Brackets Installed



- 4** Fasten the side plate to its brackets using the provided M6 Torx-head screws and a T30 Torx driver.
- 5** Now that everything is installed, ensure that all fasteners have been tightened until snug, but do not overtighten.

