

## 2015+ GMC Sierra HD Bumper Grille Installation Instructions

**Please read all instructions before installation and to check to see that all parts are included.**

KIT CONTENTS:	
Description	Qty.
Bumper Grille	1
<b>Hardware Kit</b>	
J Brackets	2
#8-32 Bolts	2
<b>Only for Lighted Grille (below)</b>	
Light Bar (Installed)	1
Wiring Harness	1
Switch	1
Light Bar Installation Instructions	1

### Bumper Grille Installation

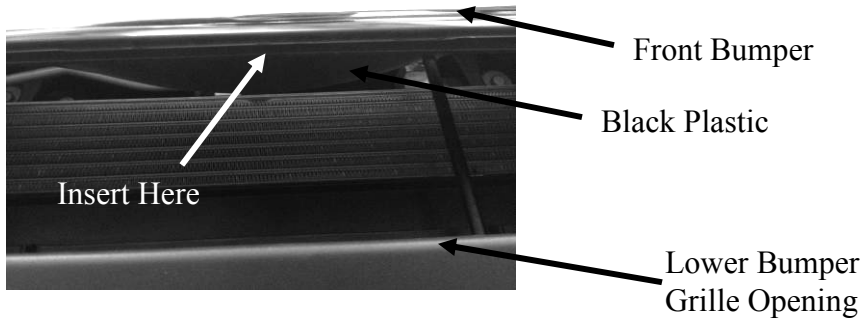
1. Remove bumper grille from packaging. Check to see if all parts from above table are included.
2. Place bolts and brackets into grille on both sides as shown in Figure 1



Figure 1

3. Tilt grille into bumper opening, top first, verifying that tabs on the top of the grille slide in-between the chrome bumper and black plastic, location shown in Figure 2

Figure 2



- Slide J brackets around back edge on the black plastic in bumper grille opening. Figure 3 shows how that brackets should look when they are tightened down.

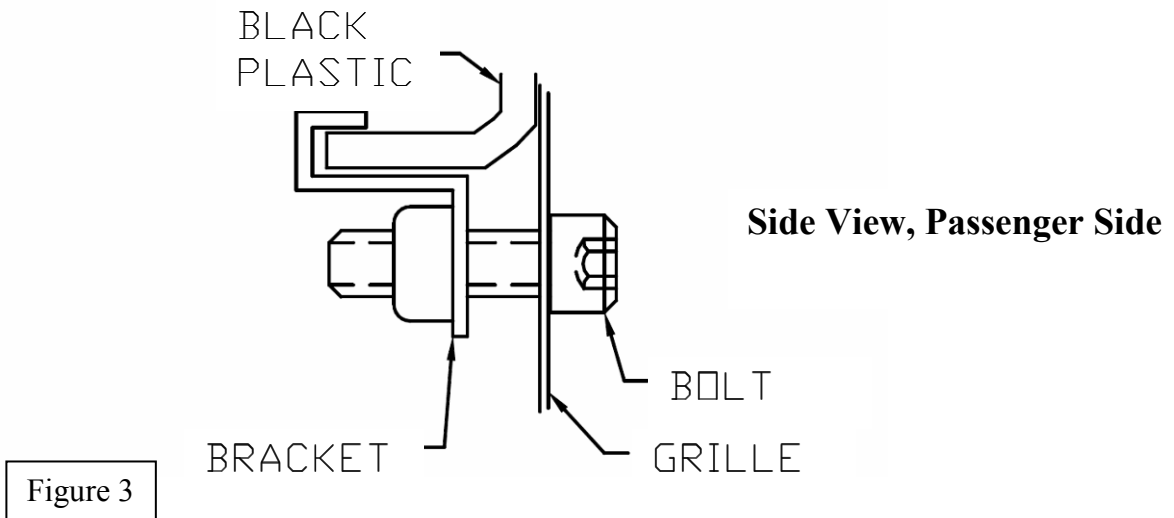


Figure 3

- Tighten bolts through grille in locations shown in Figure 4. Use included hex wrench to tighten bolts. Tighten both bolts until grille is tight to bumper. ENJOY!

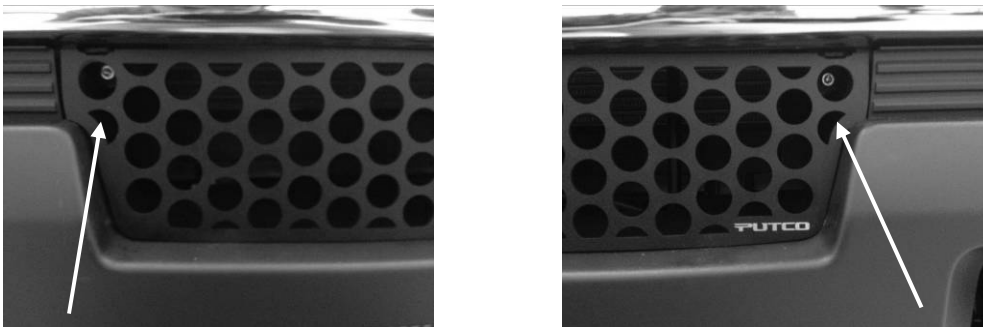


Figure 4

- Continue onto wiring instructions if you purchased the lighted grille.