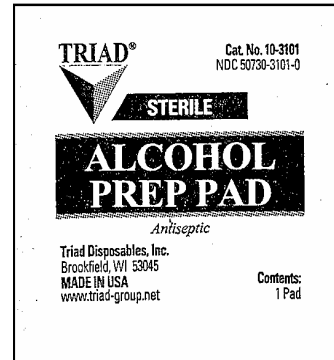
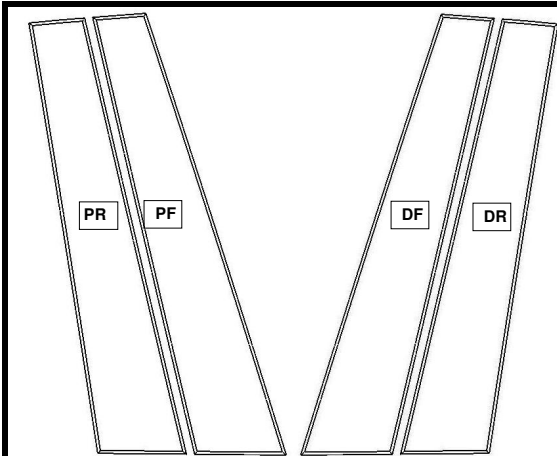
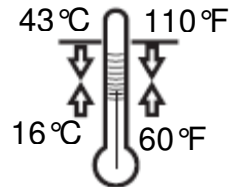


# PUTCO

## B-Pillar Instructions

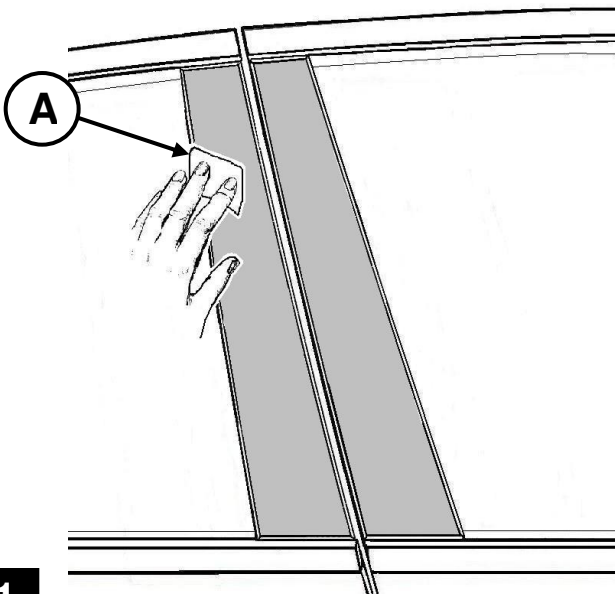


**A**



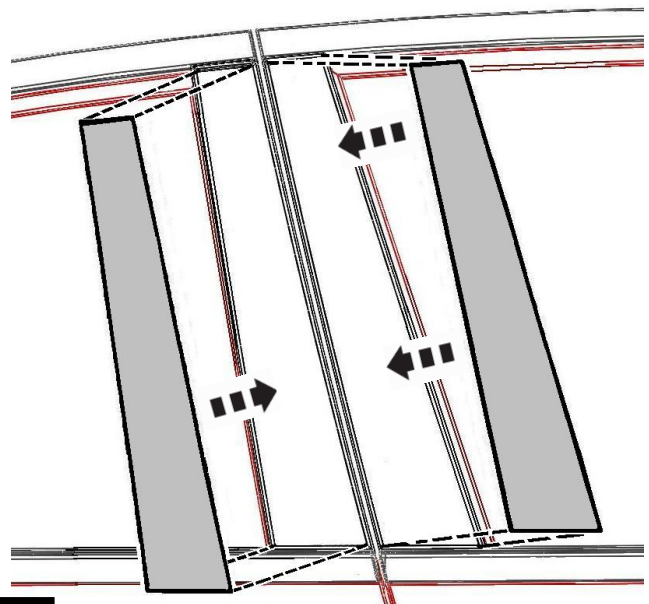
Do not wash vehicle for 24 hours after installation

- Insure that the surface which the trim is to be applied is clean, dry, and free of all oil, grease and wax.



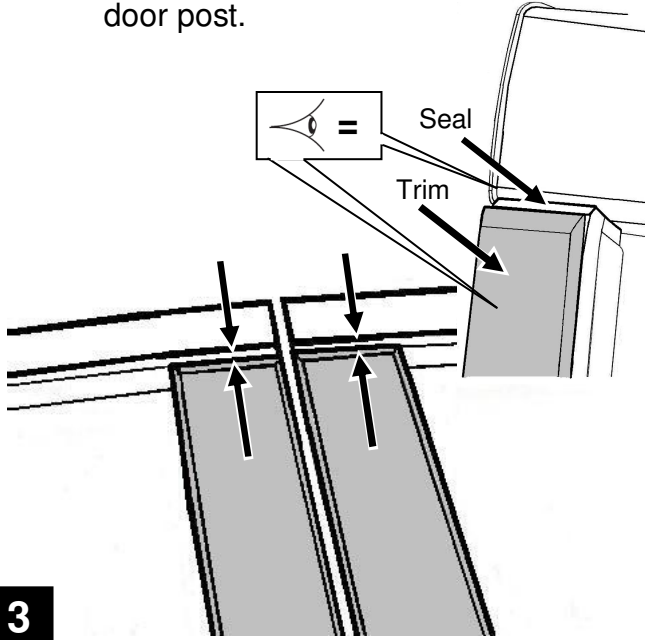
**1**

- Prior to removing tape backing on trim piece place the front and rear pillar on the vehicle.



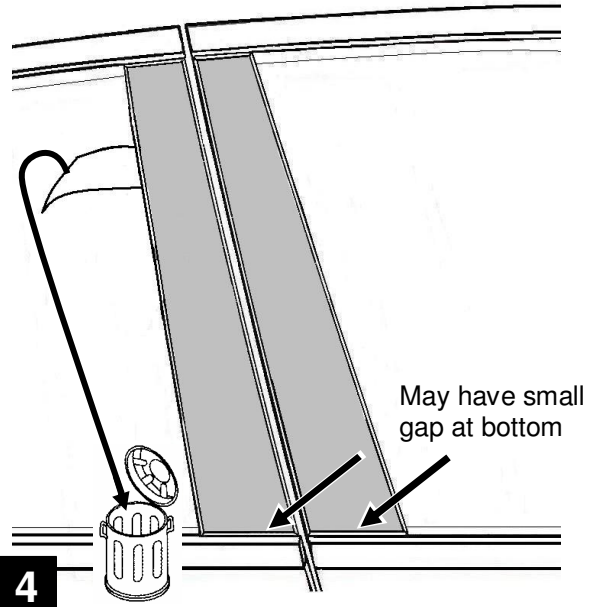
**2**

- Align trim pieces so that front and rear doors are equally aligned at the top of door post.



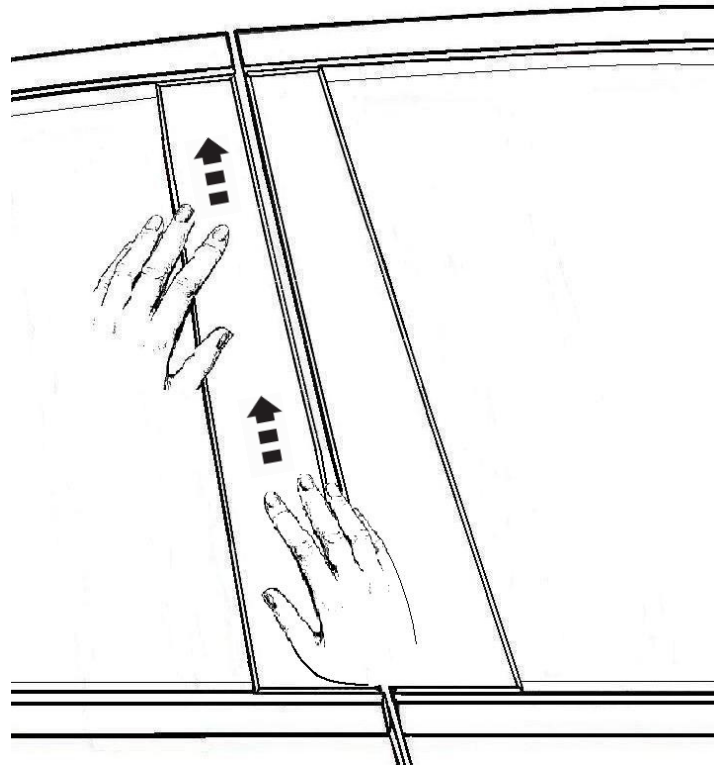
3

- With trim pieces aligned at the top remove tape backing from trim pieces and discard.



4

- Apply even firm pressure for a minimum of 30 seconds



5