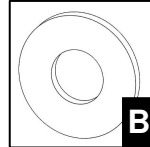
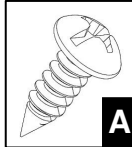


HOOD SHIELD INSTALLATION INSTRUCTIONS

Please read all instructions before installation and to check to see that all parts are included.

Kit Contents:

<u>Description</u>	<u>Qty.</u>
Hood Shield	1
#12 Sheet Metal Screws (A)	4
#12 Flat Washer (B)	4
Rubber Bump-on	4



Note: Rubber Bump-on is required for this application to prevent damage to the hood.

- **Installation Temperature:**
60° - 110° F (16° - 43° C)

1. Clean and open the hood. Make sure that the hood is free of any dirt or debris.
2. Trial fit the Hood Shield by partially peeling the 3M tape backing 2" on each side. Center the Hood Shield on the hood and temporarily attach. **(Figure 2)** Use the Hood Shield mounting holes for pre-drill referencing and mark the slots with a marker.
3. Remove Putco Hood Shield from hood and drill holes using a 5/32 drill bit. **(Figure 1)** Use the marks from step 2 as a guide for the drilling.
4. Clean grille area where the 3M tape will be applied to using Isopropyl Alcohol. Re-fit Hood Shield to the factory hood by aligning the Hood Shield up with the drilled holes. **(Figure 1)** Attach Hood Shield to the hood by placing a washer (B) on each of the mounting screws (A) and inserting the screw through the Hood Shield slots and into the predrilled hole. **Tighten screws just enough to hold hood shield in place.**
5. Center Hood Shield on the hood and tighten screws using a Phillips screw driver until snug. Close hood carefully to check the fitment. If the Hood Shield is not centered loosen the screws and adjust until it is centered and re-tighten the screws. Once the Hood Shield is centered remove the 3M tape backing and apply even pressure for 30 seconds.
6. Attach rubber bump-on to the factory hood where the corners of the Hood Shield are closest to the hood. **(Figure 3)** **Clean area first with isopropyl alcohol and remove adhesive backing from bump-on and apply to hood.**

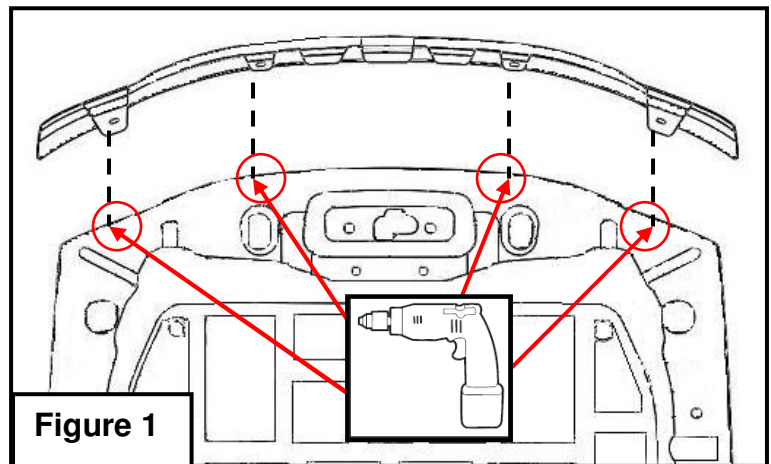


Figure 1

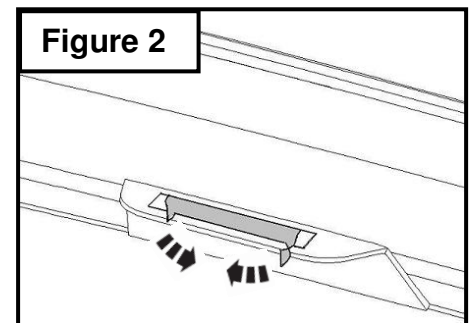


Figure 2

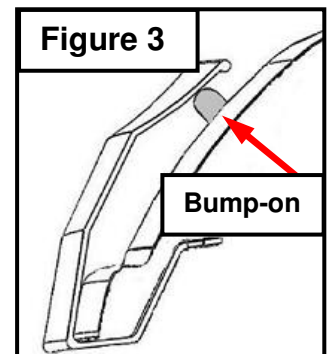


Figure 3

Bump-on