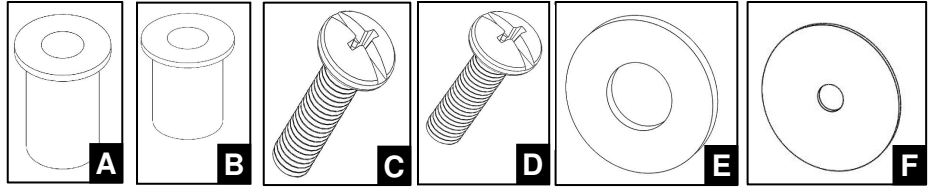


## HOOD SHIELD INSTALLATION INSTRUCTIONS

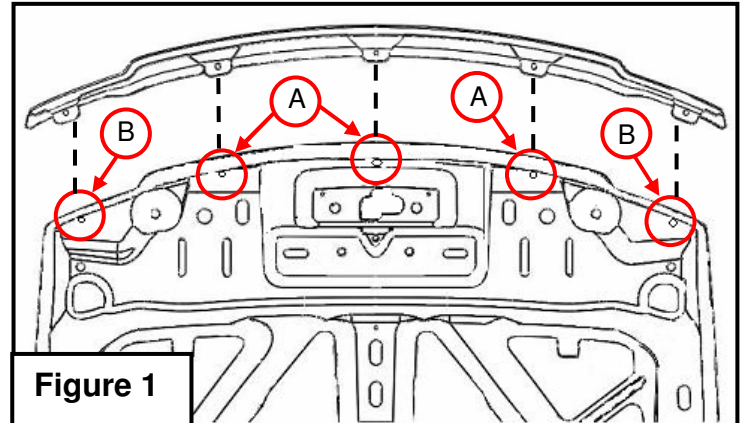
**Please read all instructions before installation and to check to see that all parts are included.**

<b>Kit Contents:</b>	
<b>Description</b>	<b>Qty.</b>
Hood Shield	1
10-32 Well Nut "Long" (A)	3
10-32 Well Nut "Short" (B)	2
10-32 x 3/4" Philips Bolt (C)	3
10-32 x 1/2" Philips Bolt (D)	2
3/16 Flat Washer (E)	3
#12 Flat Washer (F)	2



**Note: Rubber Bump-on is required for this application to prevent damage to the hood.**

- **Installation Temperature:**  
60° - 110° F (16° - 43° C)



1. Clean and open the hood. Make sure that the hood is free of any dirt or debris.
2. Trial fit Hood Shield by aligning the mounting holes of the Hood Shield with the matching holes in the hood. Use figure 1 and 2 as a guide for proper hardware placement.
3. Attach supplied hardware to hood shield. **(Figure 2)**
4. Re-fit Hood Shield to the factory hood by aligning the rubber well nuts up with the factory slots. **(Figure 1)** Attach Hood Shield to the vehicle by installing the center mounting point first and working outwards. Tighten screws just enough to hold hood shield in place.
5. Center Hood Shield on the hood and tighten screws using a Philips screw driver until snug. Close hood carefully to check the fitment. If the Hood Shield is not centered loosen the screws and adjust until it is centered and re-tighten the screws.
6. Attach rubber bump-on to the factory hood where the corners of the Hood Shield are closest to the hood. **(Figure 3)** **Clean area first with isopropyl alcohol and remove adhesive backing from bump-on and apply to hood.**

