

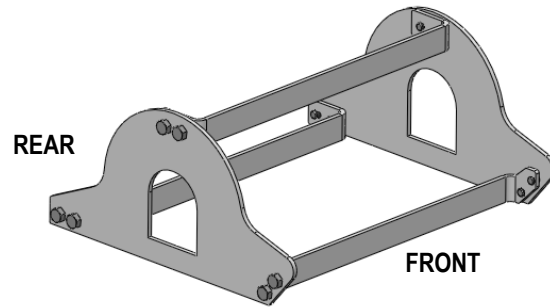


#4447 PINBOX RUBBER ISOLATOR KIT

For use with PullRite model hitches #2400 and #2600 on a Rota-Flex pinbox to restrict movement of the rubber block.

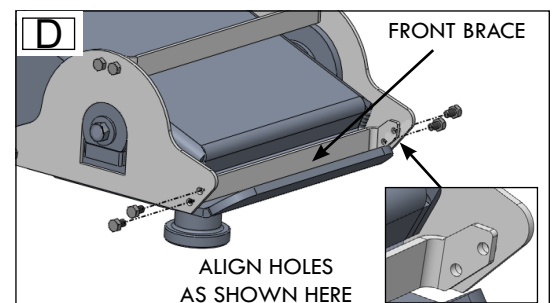
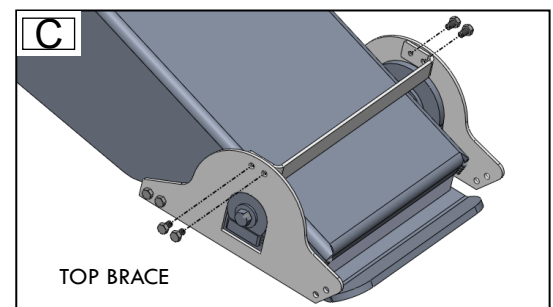
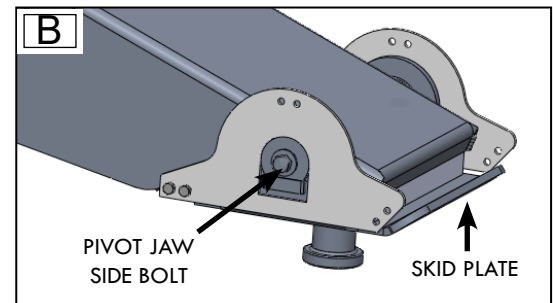
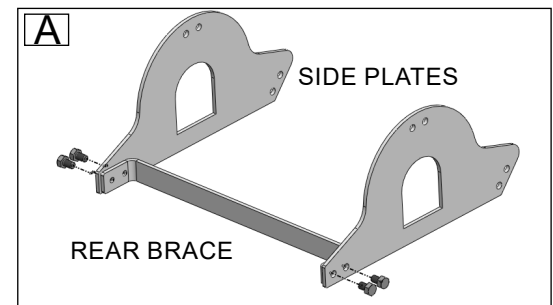
#4447 PINBOX RUBBER ISOLATOR KIT INCLUDES:

- 1 - FRONT BRACE
- 2 - REAR / TOP BRACE
- 2 - SIDE PLATES
- 12 - 5/16-18 X 1/2 INCH BOLTS
- 12 - 5/16-18 SERRATED FLANGE NUTS



#4447 KIT INSTRUCTIONS

1. Bolt the REAR BRACE to the inside of both SIDE PLATES as shown {fig. A}, and fasten using (4) 5/16-18 X 1/2 inch bolts and (4) 5/16-18 serrated flange nuts.
2. Take the assembled parts from line 1 {fig.A}, and hook the unit under the pinbox and on top of the skid plate behind pivot jaw. Pull unit in toward the front of the Rota-Flex until the SIDE PLATE cutouts are over the side bolts and fixtures of the pivot jaw {fig.B}.
4. Line up the holes on the TOP BRACE with those of the SIDE PLATES and fasten using (4) 5/8-18 X 1/2 inch bolts and (4) 5/16-18 serrated flange nuts. {fig.C}.
5. Fasten the FRONT BRACE to both SIDE PLATES using (4) 5/16-18 X 1/2 inch bolts and (4) 5/16-18 serrated flange nuts. {fig.D}. Pliers or vice grips are useful to help line up the holes to the SIDE PLATES.
6. Torque all 5/16 inch bolts to 15 foot lbs.



A properly fitted kit will look like fig. E below.

