



2010-2015 Ford F250-F450

20K OE Series Industry Standard Adapter

#4442



Industry Standard Super 5th

#1900

Gross Trailer Weight (Maximum) 16,000 lbs.
Vertical Load Weight (Max. Pin Weight) 4,000 lbs.

#2100

Gross Trailer Weight (Maximum) 20,000 lbs.
Vertical Load Weight (Max. Pin Weight) 5,000 lbs.

#2200

Gross Trailer Weight (Maximum) 24,000 lbs.
Vertical Load Weight (Max. Pin Weight) 6,000 lbs



Industry Standard SuperGlide

#2700

Gross Trailer Weight (Maximum) 16,000 lbs.
Vertical Load Weight (Max. Pin Weight) 4,000 lbs.

#2900

Gross Trailer Weight (Maximum) 18,000 lbs.
Vertical Load Weight (Max. Pin Weight) 4,500 lbs.

#2300

Gross Trailer Weight (Maximum) 24,000 lbs.
Vertical Load Weight (Max. Pin Weight) 6,000 lbs

Installation Instructions

SPECIFICATIONS

- Fits 2010 – 2015 Ford F250 - F450 with 5th wheel /gooseneck prep kit
 - Adapter is located center of the rear axle

TABLE OF CONTENTS

PLATE ASSEMBLY.....

MOUNTING KIT PARTS LIST.....

MOUNTING KIT EXPLODED VIEW.....

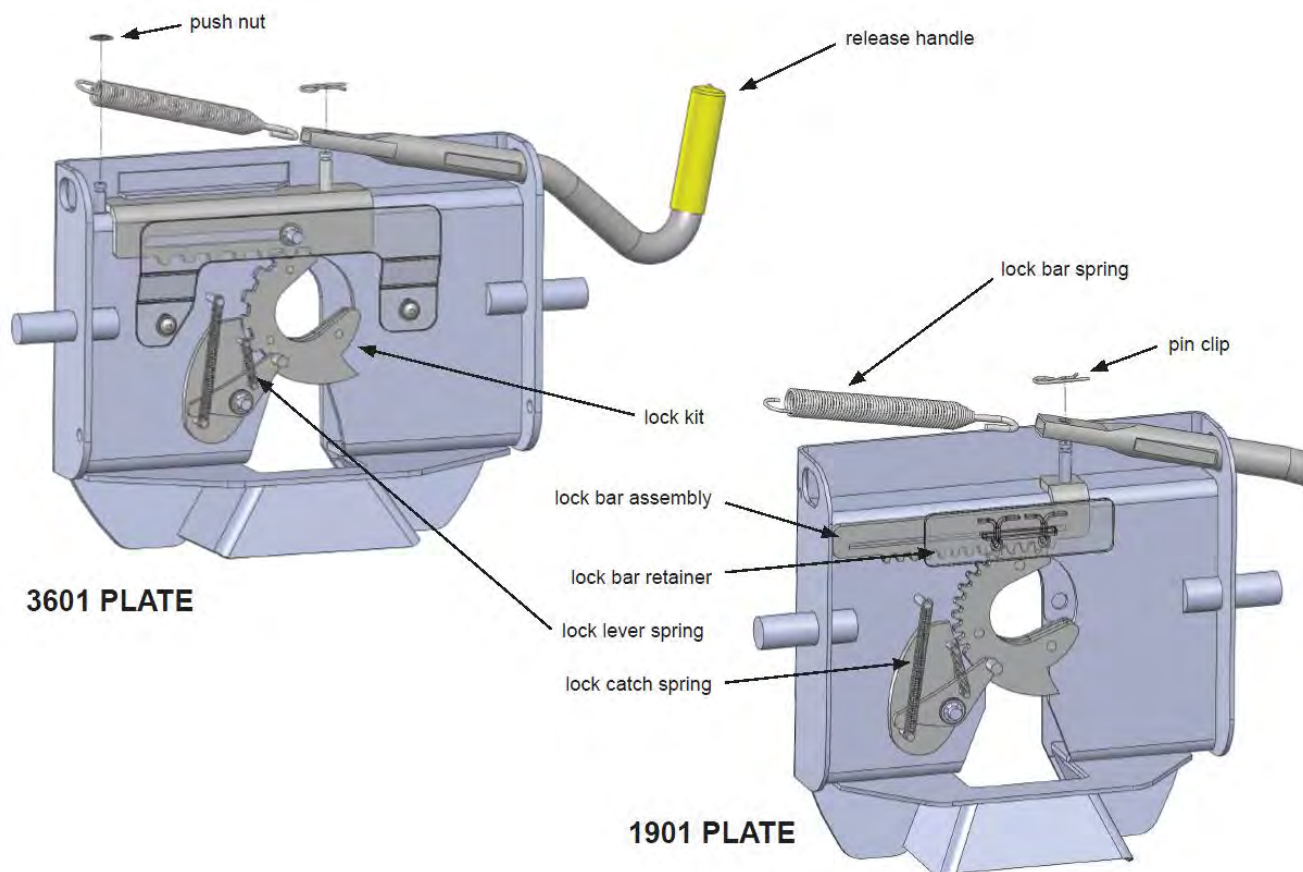
INSTALLATION.....

5 YEAR LIMITED WARRANTY.....

PRODUCT WARRANTY REGISTRATION.....



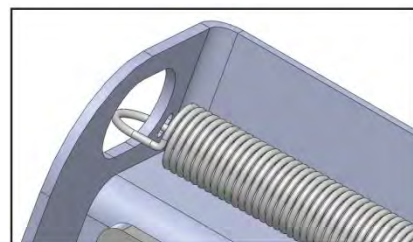
PLATE ASSEMBLY



1. Remove the Fifth Wheel Plate from the Rocker arm and place it upside down on a smooth, clean surface.
2. Insert the Release Handle into the obround hole of the plate as seen above.
3. The Lock Bar Spring must be placed inside the handle prior to placing the handle down over the pin of the Lock Bar assembly, "catching" the hook inside the handle around the pin.
4. Push the handle and spring assembly down past the groove in the pin of the Lock Bar assembly, and place one of the Pin Clips in the groove of the pin to fasten.
5. Grip the body of the spring and stretch it far enough over the opposite pin (welded to the plate) and push it down past the groove.
6. Install the Push nut to secure the Lock Bar Spring onto the welded pin.

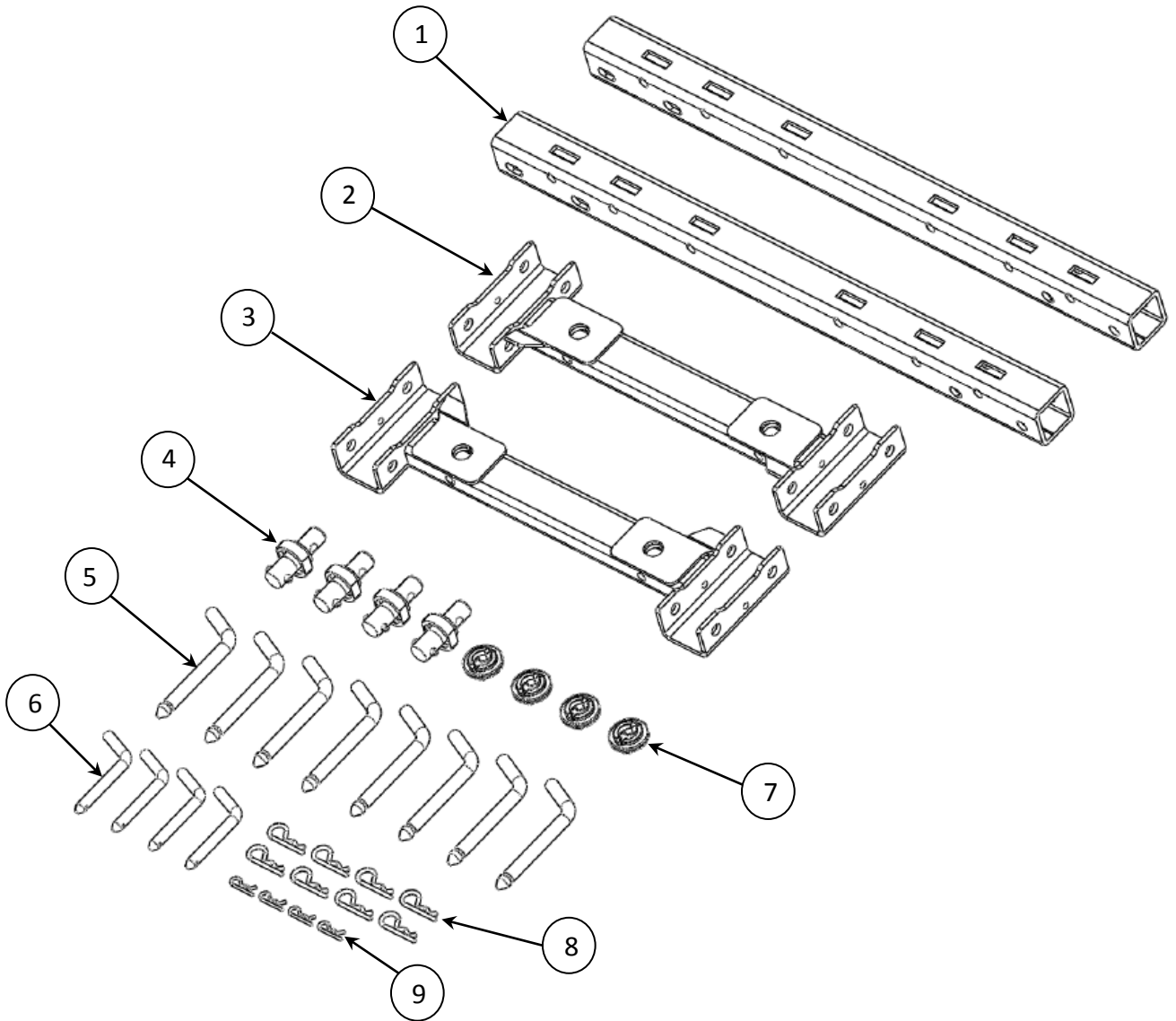
NOTE: The 1901 plate for the #1900 Super 5th does not use a push nut to attach the end of the spring, but rather a slot in the side of the fifth wheel plate located above the obround hole. See illustration to the right.

As a PullRite fifth wheel hitch owner, it is important for you to study and manually operate the Fifth Wheel Plate and Release Handle to better understand the locking action. A better working knowledge of the plate will help prevent accidental dropping of your trailer due to incorrect hitching.



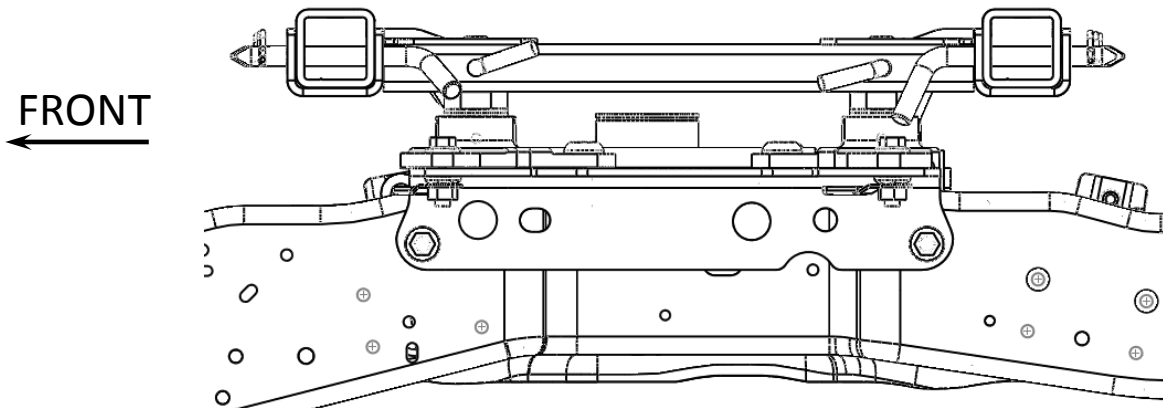
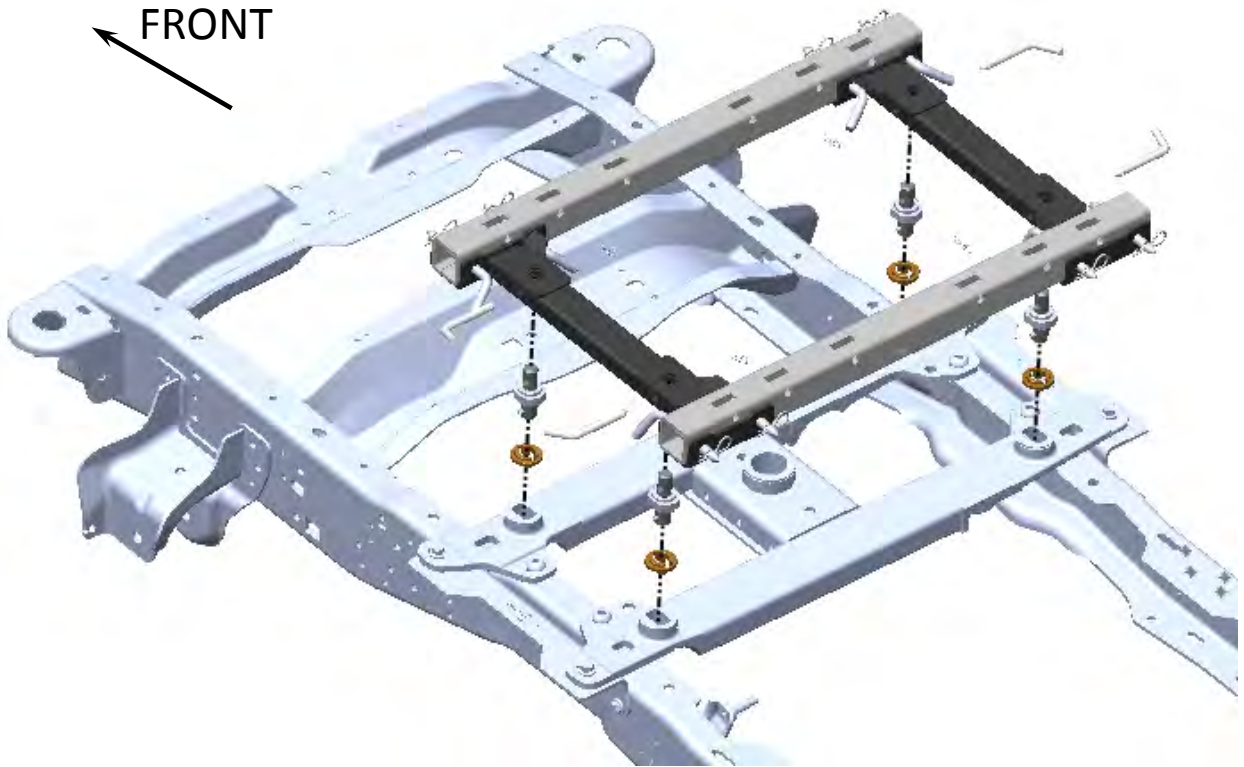
Also, it is imperative that you study and adhere to the Maintenance procedures provided in the Owners Manual.

MOUNTING KIT PARTS LIST



ITEM NO.	PART NUMBER	DESCRIPTION	QTY.
1	444203	MOUNTING RAIL – Ford	1
2	444201	LH SIDE SUPPORT	1
3	444202	RH SIDE SUPPORT	1
4	444204	MOUNTING POST ASSEMBLY	4
5	010019	STANDARD SHACK PIN	8
6	08060001	BASE RAIL RELEASE PIN	4
7	13070001	MOUNTING WASHER	4
8	98410143	HITCH PIN CLIP	8
9	98410127	HITCH PIN CLIP	4

MOUNTING KIT EXPLODED VIEW



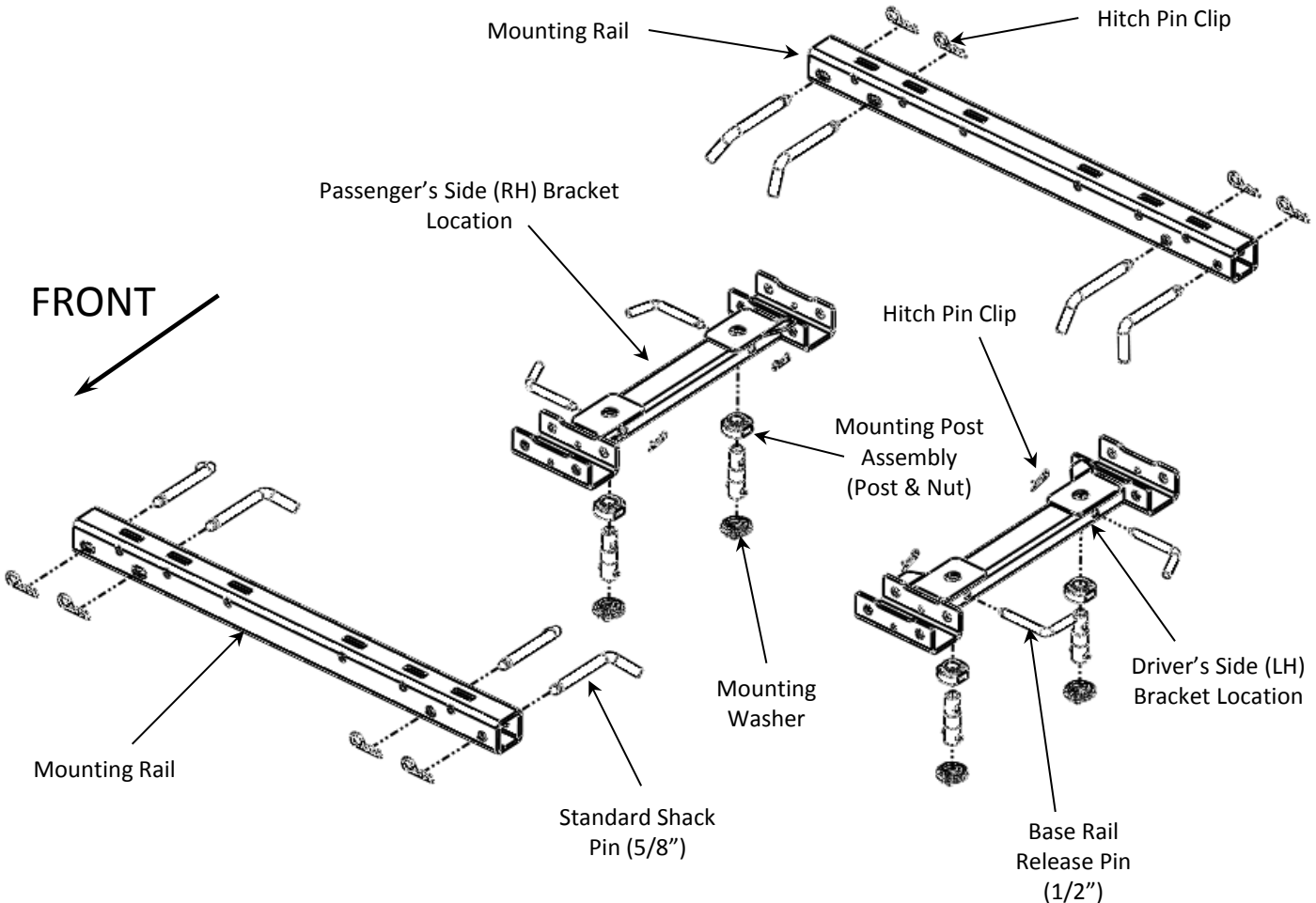
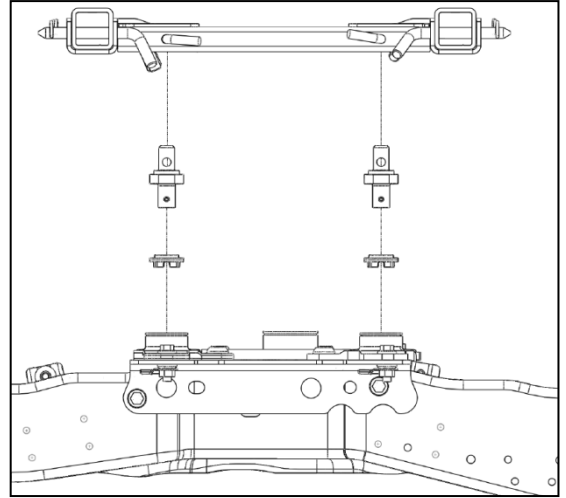
INSTALLATION

BRACKET PLACEMENT LOCATION

Since most truck beds are not square to the frame or are the same distance from the back of the cab, the installer will need explain this to the vehicle owner. The factory installed 5th wheel/gooseneck prep kit can not be easily adjusted. The Pullrite adapter has been created with more than generous tolerance to ease installation but may not be perfectly centered in vehicle.

The basic steps in this section are as follows:

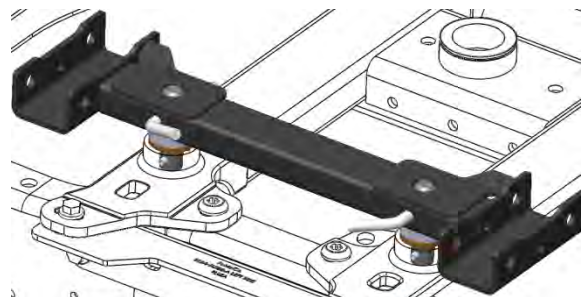
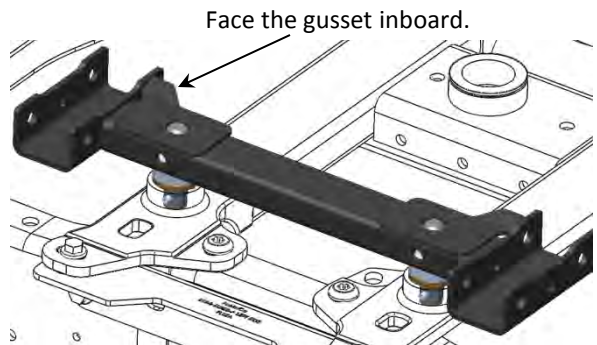
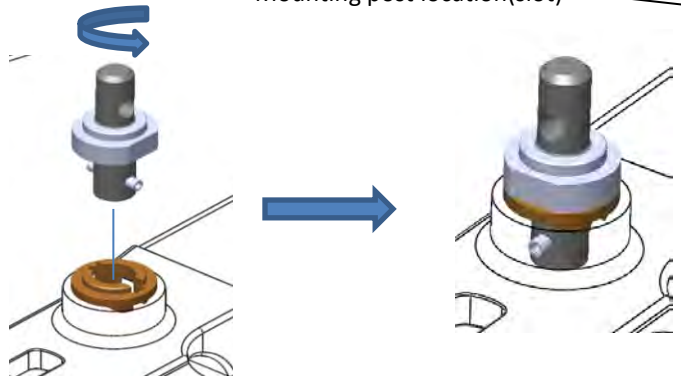
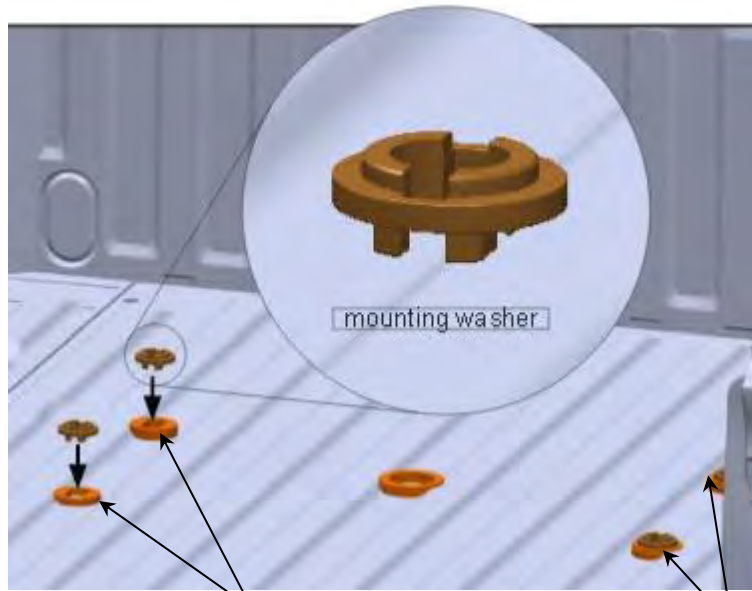
- Place bronze washers in slots
- Install mounting posts and nuts
- Mount side supports onto posts and pin
- Pin mounting rail to side supports
- Install your Pullrite 5th wheel hitch



INSTALLATION

Check parts in box against parts list to insure all components are present.

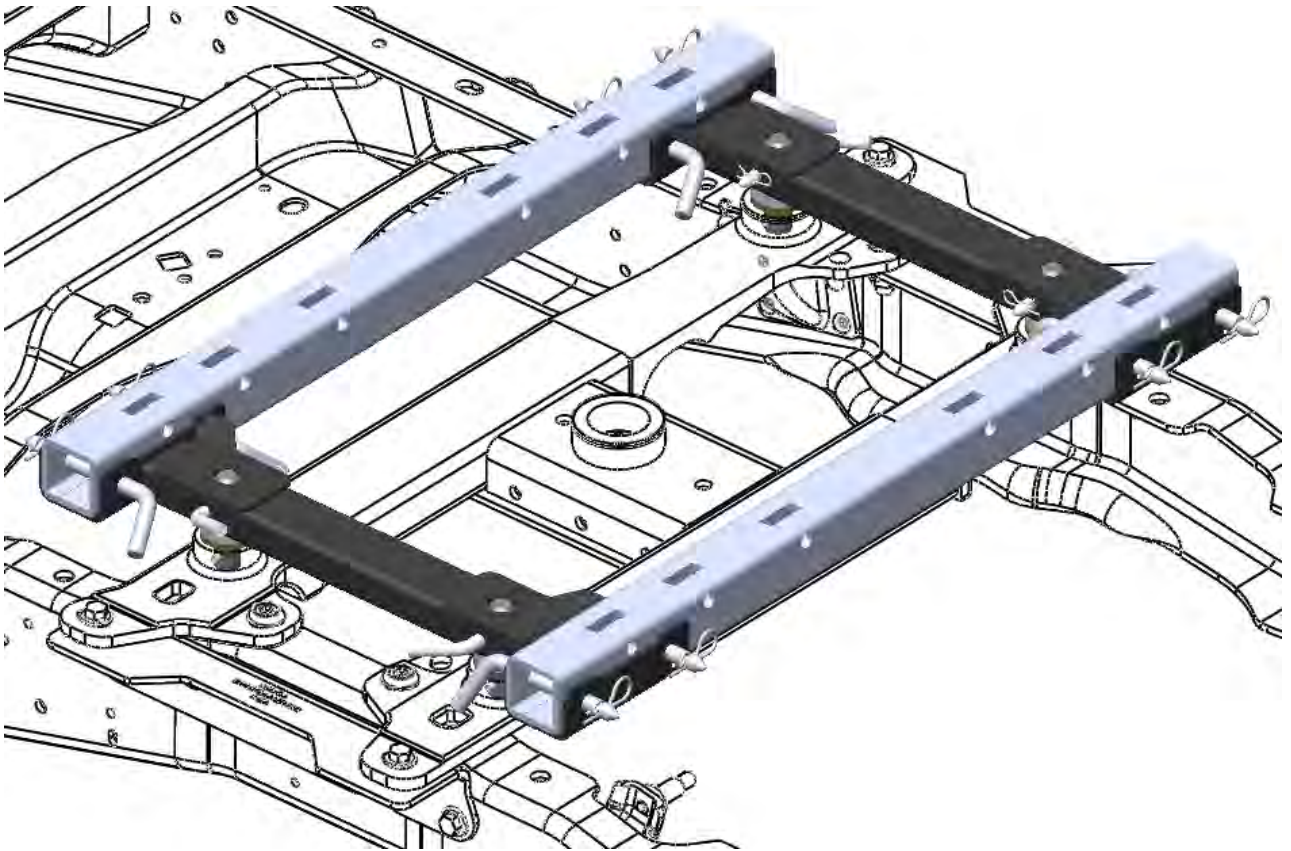
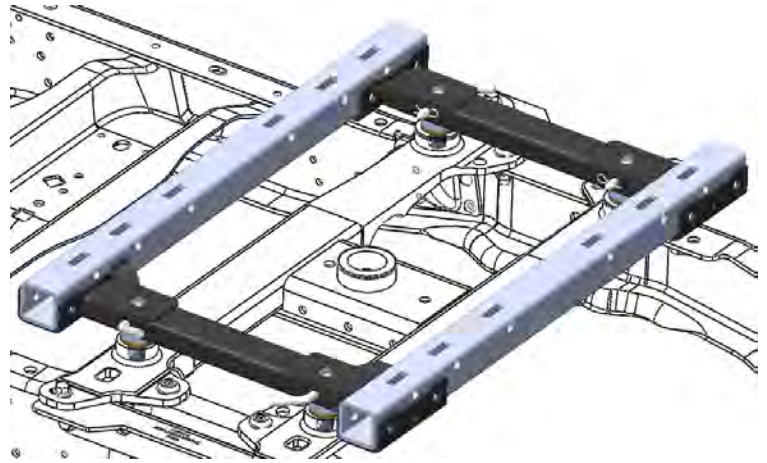
1. Position the mounting washer (7) on the mounting post location, four places. (Due to manufacturing tolerances of the mounting post location(slot), one may need to remove excessive paint or casting burr.) Make sure bronze washer is fully seated on Mounting Post Location. (Tap bronze washer into slot if needed, after slot has been cleaned.)
2. Insert mounting posts (4) through the mounting washers (7) and into mounting post locations. Rotate mounting post 90° or ¼ of a turn and tighten the post nut by hand, securing the post in position.
3. Place the passenger side supporting rail weldment (3) onto the mounting posts(4). Place the 1/2" pin (6) through weldments and lock into place with pin clip (9). Repeat step for driver side. Note: Adjust the post nut so that the supporting rail weldments rest on the nut and not the hitch pin.



INSTALLATION

4. Place the Mounting Rails (ISR) (1) into the support rail weldments. Lock the base rails into place with the hitch pin (5) and secure with the pin clip (8).

5. Once hitch pins and clips are secured, set your fifth wheel in the corresponding mounting locations and secure with 1/2" hitch pins (not included).



5 YEAR LIMITED WARRANTY

PULLIAM ENTERPRISES, INC. hereinafter referred to as "PULLIAM", warrants to the first retail owner only, this PullRite towing system to be free from defects in materials and workmanship for a period of five (5) years or 31,068 miles (50,000 km) after the installation on purchaser's vehicle, whichever occurs first.

To validate this warranty, the first retail owner must mail the provided warranty card to PULLIAM, within ten (10) days after installation of said towing system on his vehicle.

The owner is responsible for all normal and preventative maintenance described in the Owner's Manual. If any defect occurs which the owner believes is covered by this warranty within said five (5) year period, the owner shall contact PULLIAM immediately, either in writing or by telephone call, Attention Customer Service Department. The owner will be instructed to return the hitch at his expense either to an authorized PullRite dealer or to PULLIAM to repair or replace any parts necessary to correct defects in material or workmanship.

Repair or replacement shall be at the sole option of PULLIAM and shall be completed by or on behalf of PULLIAM free of charge for materials and labor.

This warranty gives you specific legal rights, and you may also have other right's which vary from state to state.

THIS WARRANTY SPECIFICALLY EXCLUDES EACH OF THE FOLLOWING:

1. Defects in the product resulting from misuse, neglect, accident, loading beyond the vehicle's capacity, failure to comply with instructions contained in the Owner's Manual or unauthorized repairs, replacements, alterations or modifications. "Unauthorized repair, replacements, alterations" are those made without PULLIAM'S prior knowledge and consent.
2. Any incidental or consequential damage including, but not limited to, loss of use of the vehicle, towing charges, vehicle rental, loss of time, inconvenience, travel, gasoline, lodging and telephone expenses, loss of revenue and damages on account of personal injury and property damage. (Some states do not allow the exclusion or limitation of incidental or consequential damages, so these limitations may not apply to you).
3. Repairs or replacements of defects in any PullRite towing system, or part thereof, installed on any vehicle which has been rented, leased or used for any commercial purpose.
4. Any representation, warranty of undertaking made by any dealer or third party beyond the scope of the warranty herein expressed.
5. Any problem resulting in normal deterioration due to wear or exposure.

TO THE EXTENT PERMITTED BY LAW, IMPLIED WARRANTIES OF MERCHANTABILITY AND FITNESS FOR A PARTICULAR PURPOSE ARE LIMITED IN DURATION TO FIVE YEARS FROM THE DATE OF INSTALLATION ON THE FIRST OWNER'S VEHICLE. (SOME STATES, HOWEVER, DO NOT ALLOW LIMITATIONS AS TO DURATION OF IMPLIED WARRANTY, SO THOSE LIMITATIONS MAY NOT APPLY TO YOU.)



Product Warranty Registration

As an owner of a PullRite product, you must register your product to be considered for warranty coverage. See Owners Manual for further details.

Name: _____

Address: _____

City: _____ State: _____ Zip: _____

Email Address: _____

Phone(optional): _____

Purchase Price: _____ Date of Purchase: _____

Dealer's Name: _____

Dealer's Address: _____

Dealer's City: _____ Dealer's State: _____ Dealer's Zip: _____

Dealer's Phone: _____

Model Purchased: _____

Vehicle Make: _____ Vehicle Model: _____ Vehicle Year: _____

Vehicle Year: _____ Vehicle Cab Style: _____ Vehicle Bed Length: _____

Did you receive an Owners Manual from the Dealer? Yes / No

What influenced you to buy your hitch? _____

Comments