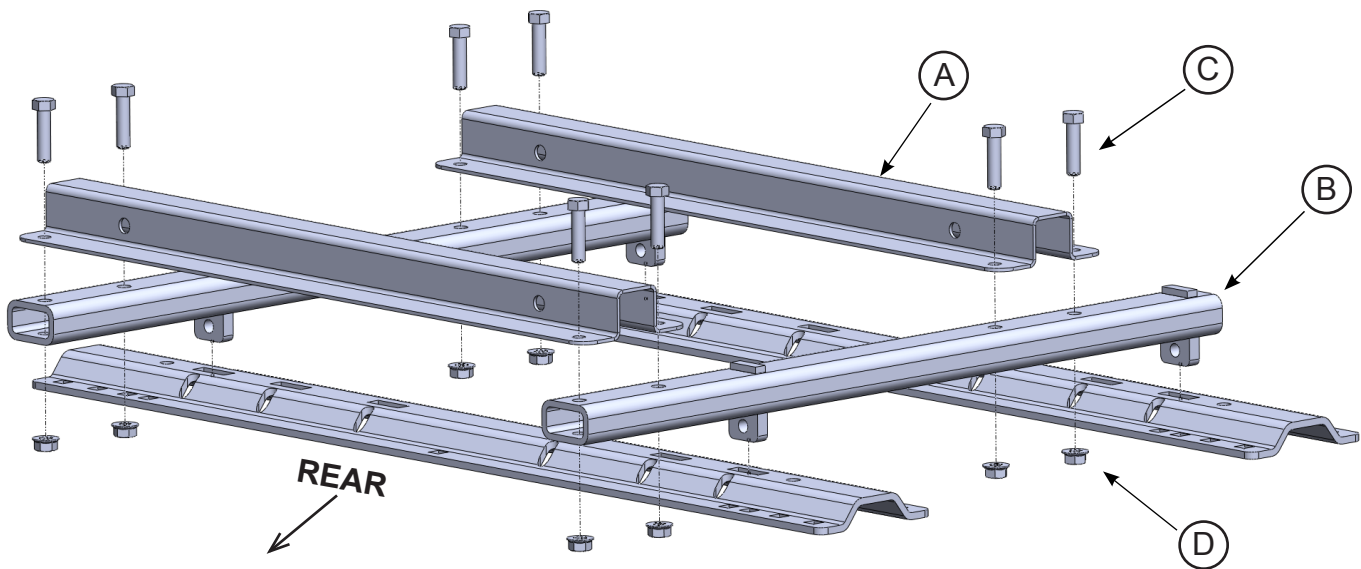




Industry Standard Rail Adapter

#4409

1. Check the Parts List quantities below before you begin.
2. Remove the existing hitch from the truck.
3. Bolt the SuperGlide Base Rails {A} loosely onto the SuperGlide Attaching Rail Assembly {B}.
4. Install the above assembly onto your existing base rails and secure by using the base rail pins that fit your current rails. The overhang on the SuperGlide Base Rail Assembly should extend toward the rear of the truck.
5. Install the SuperGlide hitch onto the Base Rails {A}, using the Base Rail Pins provided with your SuperGlide Hitch.
6. Tighten all bolts to 75 foot pounds.



PARTS LIST

Item	Description	Part No.	Qty.	Material
A	BASE RAIL	44090001	2	
B	ATTACHING RAIL ASSEMBLY	440901	2	
C	1/2" BASE RAIL BOLT	98010178	8	1/2" - 13 X 2-1/4" GRD #5
D	1/2" FLANGE NUT	98150201	8	1/2" - 13 FLANGE NUT