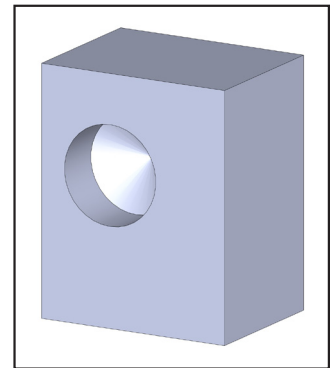




Quick Connect Capture Plates Dexter, Fabex, Lippert & Leland

(Part# 331704, 331705, 331706, 331710, 331711, 331720, 331730 and 331731)

1. Confirm the "A,B and C" measurements of your trailer's king pin plate listed in the Quick Connect Capture Plate Chart before proceeding.
2. Thread the Set Screw into the front of the Capture Plate.
3. Thread the Jam Nut onto the Set Screw from the backside of the Plate.
4. The purpose of the Adjustable Nylon Block is to prevent marring of your trailer's king pin box, and to serve as a tensioning device. As the Set Screw is tightened in the front, the back edge of the king pin opening on the Capture Plate is drawn forward against the trailer's king pin, securing the Capture Plate.
5. Prior to tightening the Set Screw, rotate the Nylon Block so that one side of the block rests on top of the upturned edge of the king pin plate, while the Capture Plate remains flush against the bottom of the king pin plate. The counter-sunk hole for the Set Screw, located in the Adjustable Nylon Block, is offset so that there are four different adjustment settings to accommodate various king pin plate designs.
6. Tighten the Set Screw to set it in place, and tighten the Jam Nut to the front plate. **NOTE:** Do not over-tighten the Set Screw or it will crack the Nylon Block.



**Adjustable
Nylon Block**

