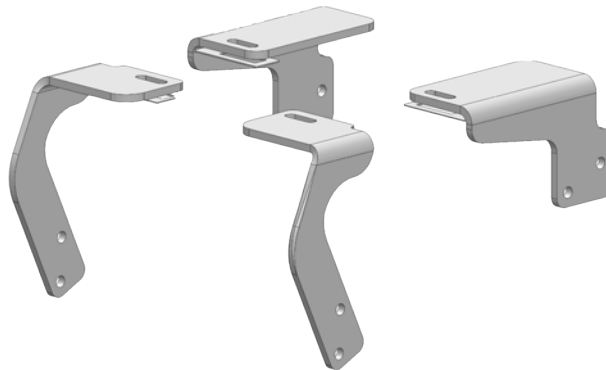




# DODGE

## 16K Industry Standard Rail Custom Mounting Kit

# #2728



Gross Trailer Weight (Maximum)..... 16,000 lbs.  
Vertical Load Weight (Max. Pin Weight)..... 4,000 lbs.

### SYSTEM TOW CAPACITY

Please note, in order to determine the **total tow capacity** of a system, you must consider the weight ratings of each component in that system. This includes, but may not be limited to, the capacity/rating of the **tow vehicle**, the **fifth wheel hitch**, and the hitch's **mounting system**. Actual tow capacity of the system will be equal to the lowest rated component.

---

# Installation Instructions

---

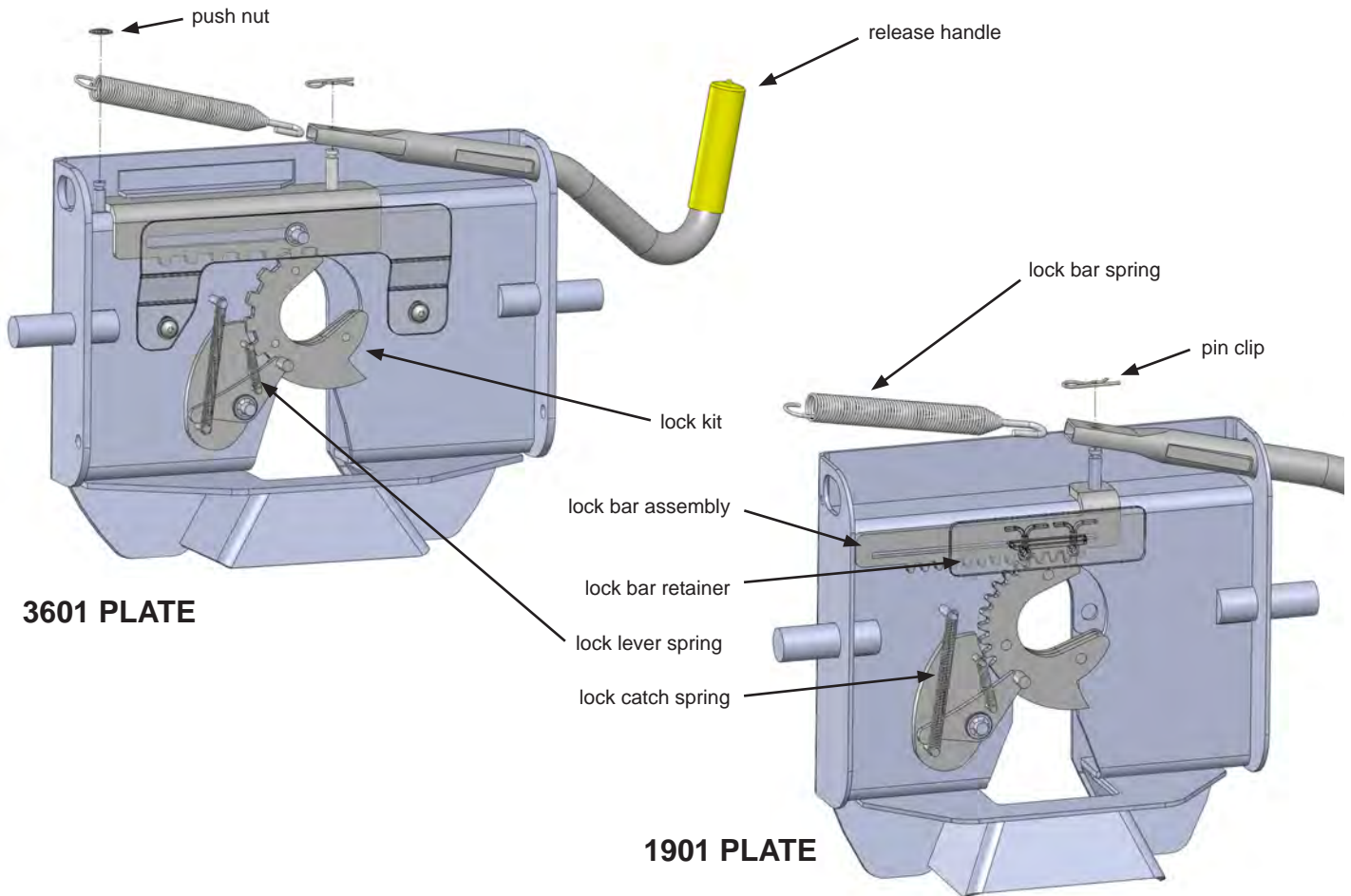
## SPECIFICATIONS

- Fits 2009-2016 Dodge 1500
- Hitch is located 1-1/2" ahead of the axle
- Custom Mounting Bracket Kit (*Bracket & Hardware*) #2729

# TABLE OF CONTENTS

|  |    |
|--|----|
| PLATE ASSEMBLY.....                                  | 3  |
| MOUNTING KIT EXPLODED VIEW.....                      | 4  |
| MOUNTING KIT PARTS LIST .....                        | 5  |
| TRUCK PREPARATION.....                               | 6  |
| MARKING THE TRUCK BED FOR DRILLING.....              | 6  |
| LAYOUT METHOD .....                                  | 6  |
| TEMPLATE METHOD .....                                | 7  |
| INSTALLATION .....                                   | 8  |
| PART 1 — BRACKET PLACEMENT & BED HOLE LOCATIONS..... | 8  |
| MOUNTING BRACKET INSTALLATION .....                  | 8  |
| PART 2 — FRONT MOUNTING BRACKET INSTALLATION.....    | 8  |
| MOUNTING BRACKETS.....                               | 8  |
| FRONT BASE RAIL.....                                 | 9  |
| PART 3 — REAR MOUNTING BRACKET INSTALLATION.....     | 10 |
| MOUNTING BRACKETS.....                               | 10 |
| REAR BASE RAIL .....                                 | 11 |
| PART 4 — FINAL INSTALLATION PROCEDURES .....         | 11 |

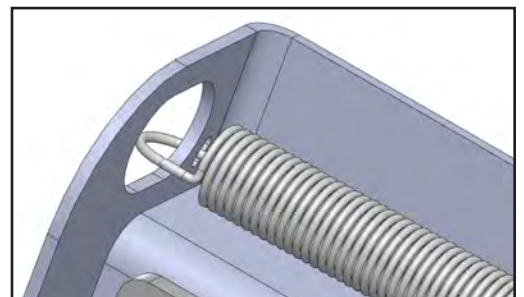
## PLATE ASSEMBLY



1. Remove the Fifth Wheel Plate from the Rocker Arm and place it upside down on a smooth, clean surface.
2. Insert the Release Handle into the obround hole of the plate as seen above.
3. The Lock Bar Spring must be placed inside the handle prior to placing the handle down over the pin of the Lock Bar Assembly, "catching" the hook inside the handle around the pin.
4. Push the handle and spring assembly down past the groove in the pin of the Lock Bar Assembly, and place one of the Pin Clips in the groove of the pin to fasten.
5. Grip the body of the spring and stretch it far enough over the opposite pin (welded to the plate) and push it down past the groove.
6. Install the Push Nut to secure the Lock Bar Spring onto the welded pin.

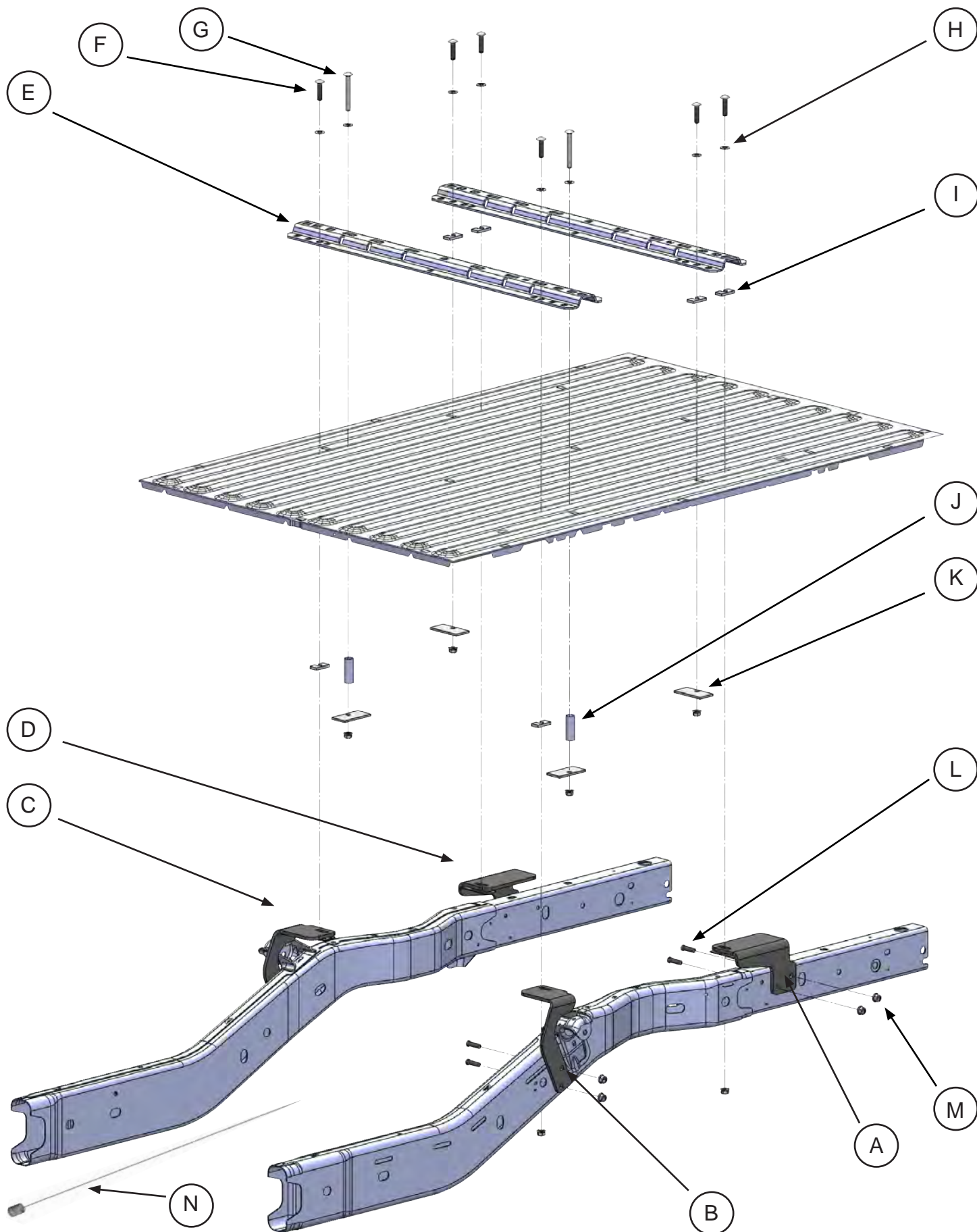
**NOTE:** The 1901 plate for the #1900 Super 5<sup>th</sup> does not use a push nut to attach the end of the spring, but rather a slot in the side of the fifth wheel plate located above the obround hole. See illustration to the right.

As a PullRite fifth wheel hitch owner, it is important for you to study and manually operate the Fifth Wheel Plate and Release Handle to better understand the locking action. A better working knowledge of the plate will help prevent accidental dropping of your trailer due to incorrect hitching.



Also, it is imperative that you study and adhere to the Maintenance procedures provided in the Owners Manual.

# MOUNTING KIT EXPLODED VIEW



# MOUNTING KIT PARTS LIST

## #2728 DODGE CUSTOM ISR BRACKET KIT

| description          | part no. | qty | material                        |
|----------------------|----------|-----|---------------------------------|
| MOUNTING BRACKET KIT | 2729     | 1   | (See kit contents listed below) |
| BASE RAIL KIT        | 2719     | 1   | (See kit contents listed below) |

## #2729 — MOUNTING BRACKET KIT

| item | description                           | part no. | qty. | material                        |
|------|---------------------------------------|----------|------|---------------------------------|
| A    | DRIVER SIDE REAR MOUNTING BRACKET     | 272903   | 1    |                                 |
| B    | DRIVER SIDE FRONT MOUNTING BRACKET    | 272901   | 1    |                                 |
| C    | PASSENGER SIDE FRONT MOUNTING BRACKET | 272902   | 1    |                                 |
| D    | PASSENGER SIDE REAR MOUNTING BRACKET  | 272904   | 1    |                                 |
|      | MOUNTING BRACKET HARDWARE KIT         | 272905   | 1    | (See kit contents listed below) |

## #272905 — MOUNTING BRACKET HARDWARE KIT

| item | description              | part no. | qty. | material                     |
|------|--------------------------|----------|------|------------------------------|
| F    | BASE RAIL BOLT           | 98010175 | 6    | 1/2"-13 X 2" HHCS GRD 5      |
| G    | 4-1/2" BASE RAIL BOLT    | 98010195 | 2    | 1/2"-13 X 4-1/2" HHCS GRD 5  |
| H    | 1/2" FLAT WASHER         | 98250145 | 8    | 1/2" FLAT WASHER             |
| I    | SINGLE SLOT BED SHIM     | 08070201 | 6    | 5/16" SINGLE SLOT BED SHIM   |
| J    | BED SPACER TUBE          | 27290103 | 2    |                              |
| K    | OFFSET HOLE BACKUP PLATE | 05070303 | 4    |                              |
| L    | 1/2" SPLINE BOLT         | 98410192 | 8    | 1/2"-13 X 1-1/2" SPLINE BOLT |
| M    | 1/2" SERRATED FLANGE NUT | 98150201 | 16   | 1/2"-13 SERRATED FLANGE NUT  |
| N    | BOLT LEADER              | 98340197 | 1    | 1/2"-13 BOLT LEADER          |

## #2719 — BASE RAIL KIT

| item | description | part no. | qty. | material |
|------|-------------|----------|------|----------|
| E    | BASE RAILS  | 27190001 | 2    |          |

## LAYOUT TEMPLATE

| description         | part no. | qty. | material             |
|---------------------|----------|------|----------------------|
| LAYOUT BED TEMPLATE | 27200000 | 1    | ITEM SOLD SEPARATELY |

# TRUCK PREPARATION

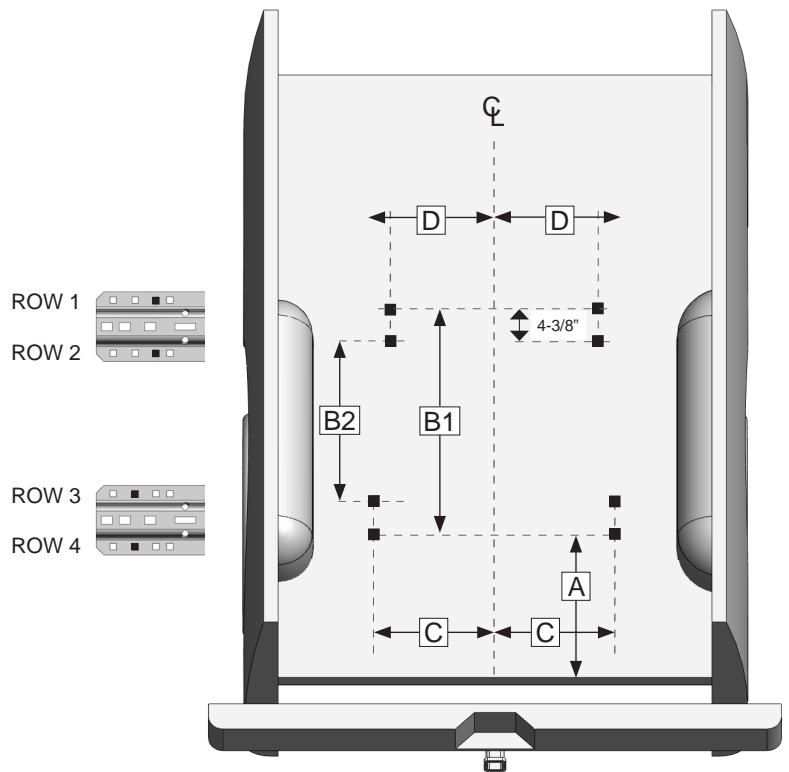
1. Block vehicle wheels. Some vehicles may require you to raise the rear of the truck to install the mounting brackets on the truck frame.
2. Remove the inner fender insert from both rear fender wells (not applicable to every model).
3. If necessary, the spare tire may be removed to gain additional clearance while working.

## MARKING THE TRUCK BED FOR DRILLING

### LAYOUT METHOD

If you purchased an installation template, please proceed to "TEMPLATE METHOD". *Templates are sold separately.*

1. Referencing "Truck Bed Dimension Table" below, measure and mark from the back of the bed forward, the values for "A." Do this at any point on both sides of the bed and draw a line across the bed from mark to mark.
2. Find the centerline of the bed.
3. Draw a line down the middle of the bed from front-to-rear.
4. Starting at "A," measure from the end of the bed back to the first bolt hole on the base rail (row 4) and mark the bed.
5. Measure the distance of "C" from the centerline of the bed in both directions. The center of the bolt location will be at the intersection of A & C
6. Continue working toward the cab, marking the center holes of each remaining bolt locations.

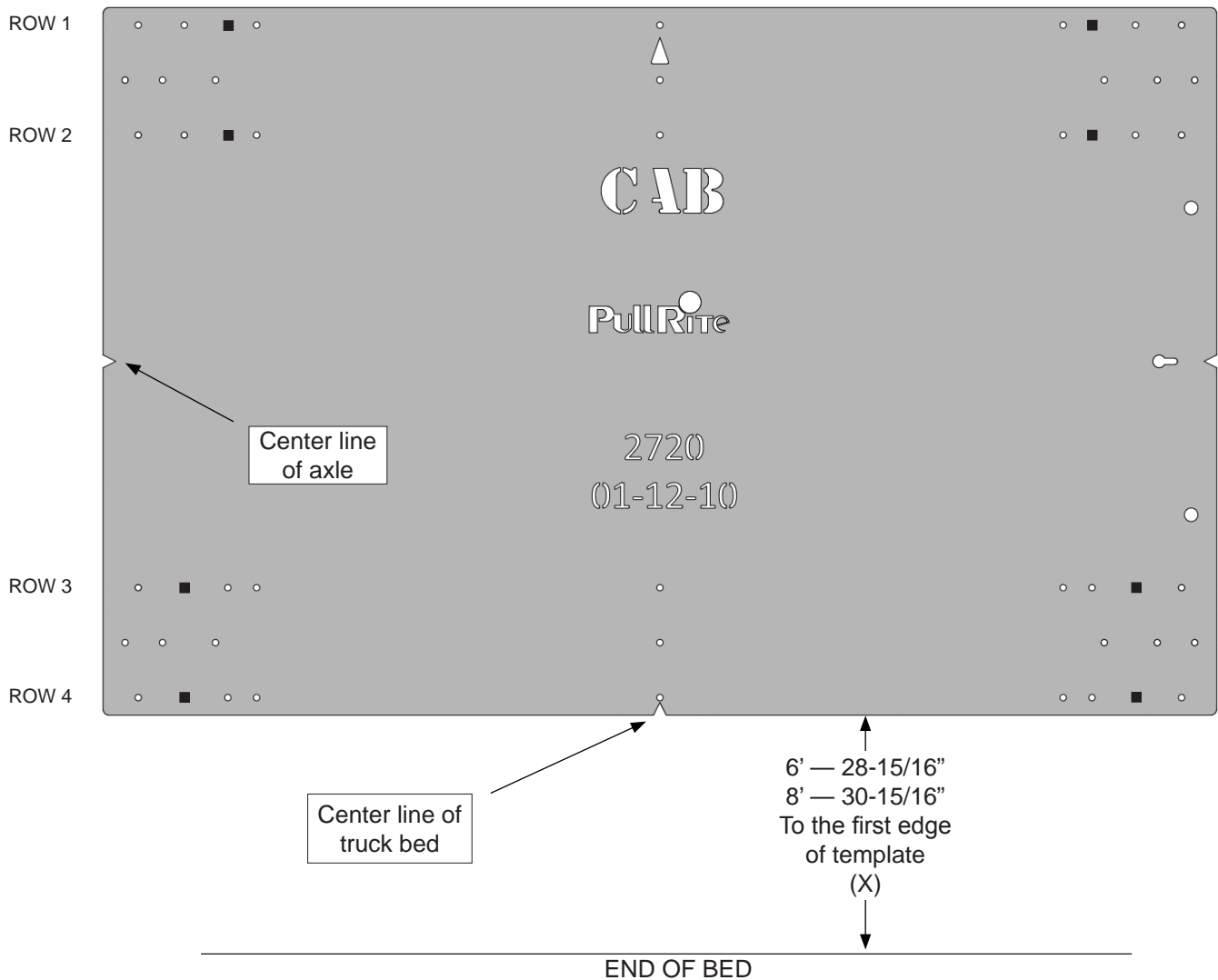


| TRUCK BED DIMENSION TABLE |               |         |         |          |         |                 |                |
|---------------------------|---------------|---------|---------|----------|---------|-----------------|----------------|
| BED LENGTH                | LAYOUT METHOD |         |         |          |         | TEMPLATE METHOD |                |
|                           | "A"           | "B1"    | "B2"    | "C"      | "D"     | "X"             | Template part# |
| 6 ft.                     | 29-11/16"     | 26-1/4" | 17-3/4" | 18-9/16" | 16-7/8" | 28-15/16"       | 27200000       |
| 8 ft.                     | 31-11/16"     | 26-1/4" | 17-3/4" | 18-9/16" | 16-7/8" | 30-15/16"       | 27200000       |

## TEMPLATE METHOD

1. Lay the template in the truck bed, centering it from side-to-side, and parallel to the end of the truck bed using the dimension "X" listed in "Truck Bed Dimension Table."
2. Mark the 8 holes, while making sure the template does not move.

**INSTALLATION TIPS:** The *TEMPLATE* should be orientated as shown in the drawing below. To avoid drilling holes in error from out of tolerance bed-to-frame dimensions, mark the hole locations as lightly as possible if a center or transfer punch is used. Then use a very small diameter drill bit to drill one location on either side of bed. Place the *Mounting Brackets* against the frame to determine the correctness of the bed hole locations relative to the pre-punched holes in the *Mounting Bracket* and existing frame holes. Adjust the template pattern relative to the end of the bed, as necessary, to move the bed holes nearer the center of the mounting bracket holes. Note also, the information etched into the template — the direction of the cab, the template number and the revision date. As one last measure, the template has a tendency to move when placed on the slick paint of new truck beds, and it may be helpful to place a small piece of *NON-SKID* matting, such as "SCOOT-GARD"™ or simply use duct tape on each corner to help keep the template from moving.





# INSTALLATION

## PART 1 — BRACKET PLACEMENT & BED HOLE LOCATIONS

Since most truck beds are not installed square to the frame or are the same distance from the back of the cab, the installer will need to make sure the bed holes line up properly with the obround hole in the top of the mounting bracket.

The basic steps in this section are as follows:

- Layout the bed holes
- Drill the first pilot hole in the bed
- Check centering
- Adjust the bed hole layout if necessary
- Drill the second pilot hole and check centering to ensure bed hole locations are square to the frame; adjust as needed
- Drill remaining pilot holes in the bed; check centering

## MOUNTING BRACKET INSTALLATION

1. It is critical that the *Driver Side Front Bracket* {B} is installed properly *before* drilling bed holes for the other brackets.

**WARNING:** The fuel fill hoses and some electrical wiring are located on the frame in this bracket mounting area. Some wire clips may need to be removed and repositioned to prevent interference. Wires must be re-secured after installing the bracket.

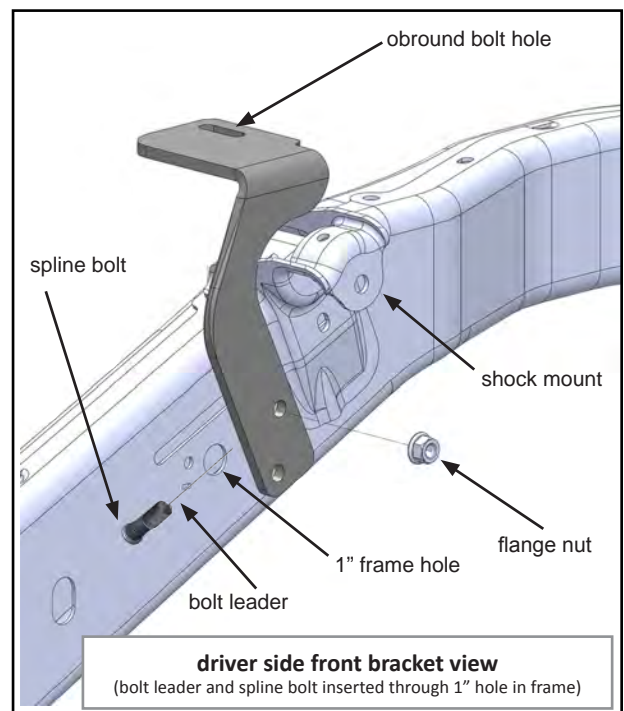
2. Use transparent tape to cover the obround bolt hole on the top of each Mounting Bracket (when the pilot hole is drilled through the bed, the tape will be pierced by the small drill; it should be positioned center of the obround bolt hole and should not interfere with fuel hoses or wiring).

## PART 2 — FRONT MOUNTING BRACKET INSTALLATION

### MOUNTING BRACKETS

1. Place the Mounting Bracket {B} in position against the truck frame, forward of the shock mount (below).
2. Lightly clamp the Mounting Bracket flush to the frame (some mounting brackets may have a slight warp due to the metal characteristics during the welding process).
3. Drill the first 1/16" pilot hole through the truck bed over the front driver side bracket where you made the mark during the "Marking Bed for Drilling." The bit should come down through the center, front to back, of the obround bolt hole in the Mounting Bracket, piercing the transparent tape.
4. If the pilot hole is off center, adjust *all* the pilot hole locations accordingly.

**NOTE:** Some truck beds are not installed square on their frame by the manufacturer. To ensure your pilot holes are aligned properly, it is important that you use the measurements provided only as a starting point and make adjustments as needed. Once you have the front driver side pilot hole centered, you will use this hole as a point of reference for all



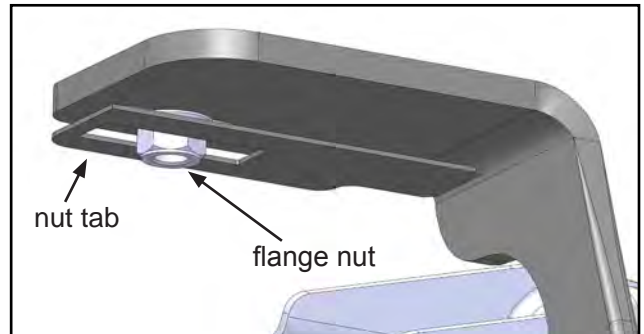


# INSTALLATION

remaining pilot hole adjustments. If you are using the Template Method, simply use the properly drilled hole as a pivot point to square the remaining holes to the frame. If you are using the Layout Method, you may accomplish the same thing by using a framing square and straight edge.

5. Once the pilot hole and Mounting Bracket are aligned, re-drill the pilot hole to 9/16".

6. Examine the Mounting Brackets and note that there is a tab located just below the slotted bolt hole in the top plate of the Mounting Bracket. The purpose of this tab is to assist you in holding the Flange Nut {M} in place. To install, pry the "tab" down far enough so that a Flange Nut can be inserted, then push the "tab" back up into position. The Flange Nut should be able to slide in and out while the "tab" holds the nut in place. When fastening the Base Rails to the Mounting Brackets, the Flange Nut can easily be positioned under the square hole in the Base Rail using a pen or other small tool. When tightening the Base Rail Bolts with an impact gun, start slowly as the "tab" may otherwise "strip out." You will follow this procedure for each Mounting Bracket.



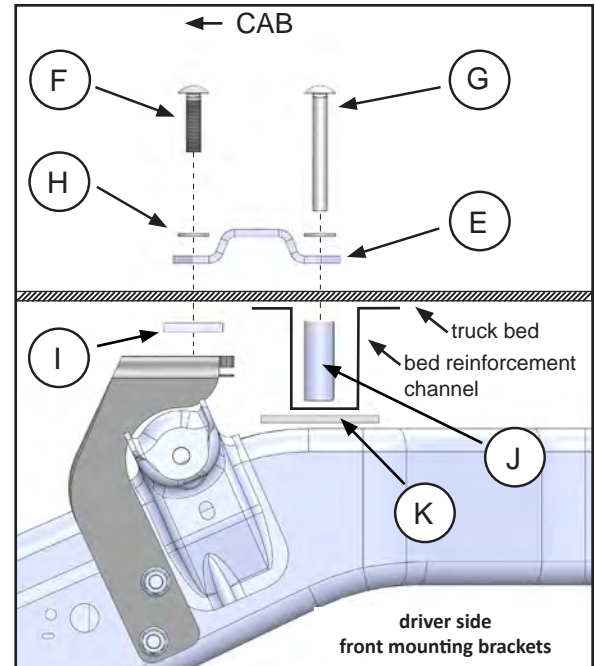
7. Clamp the Mounting Bracket, with the installed Flange Nut in the tab to the truck frame and verify that a Base Rail Bolt, {F} or {G}, will pass through the newly drilled hole.
8. Using the bracket as a template, drill a hole *only through the outside wall of the truck frame* with a 17/32" drill bit for bracket attachment. **To prevent damaging the fuel tank, do not drill through both sides of the frame.**
9. Thread a Spline Bolt {L} onto the supplied Bolt Leader {N}. Prior to installing the bolt through the frame, thread the nut on and off the bolt to ensure the nut will fit easily once the bolt is in place (opposite page).
10. With the bracket clamped in place, feed the Bolt Leader and Spline Bolt through the nearby 1" hole of the outer frame hole, and exiting out one of the holes in the bracket.
11. Hand-tighten the Spline Bolt in place with a Flange Nut {M} until it brings the Mounting Bracket flush against the frame.
12. Repeat Steps 8-11 for the remaining hole in the Mounting Bracket.
13. Repeat Steps 1-12 for the Passenger Side Front Mounting Bracket {C}, checking carefully for proper centering and square (see Step 4 and NOTE).

## FRONT BASE RAIL

1. Install a Base Rail {E} in the front position over the two previously drilled holes, and align the Flange Nut installed in the Mounting Bracket tab under the drilled holes.
2. Install the two Base Rail Bolts {F} and Flat Washers {H} with a slotted shim inserted above or below the bed as needed (see Step 9 on following page). Hand tighten only.
3. Verify that the Base Rail is centered right to left in the bed and installed square.
4. Mark the two pilot hole positions in the rear flange of the base rail. Refer to "Marking the Bed for Drilling" for bolt hole locations.
5. Drill both pilot holes with a 1/16" drill bit, through the bed and cross sill. The hole should be slightly offset to the front of the cross sill.

# INSTALLATION

6. Remove the base rail and re-drill the pilot holes with a 9/16" drill bit.
7. Using a step drill, enlarge the holes on the rearward side of the Base Rail to 1", but DO NOT drill through the bottom of cross sill again. We have provided Bed Channel Spacer Tubes {J} that will rest in the channel when installed.
8. Install the Bed Spacer Tubes and place Base Rail above the holes.
9. To prevent "crushing" of the corrugated truck bed, we provide Shims {I} to be installed above and/or below the truck bed where necessary. Not all truck beds are installed exactly the same when manufactured, so it is necessary for you to determine where to place your shims, relative to the bolt locations (see Layout Method).
10. Use the Offset Hole Backup Plate {K} as shown before attaching the nuts to the 4-1/2" Base Rail Bolts {G}.
11. Install hardware and shims as shown. Hand tighten only.



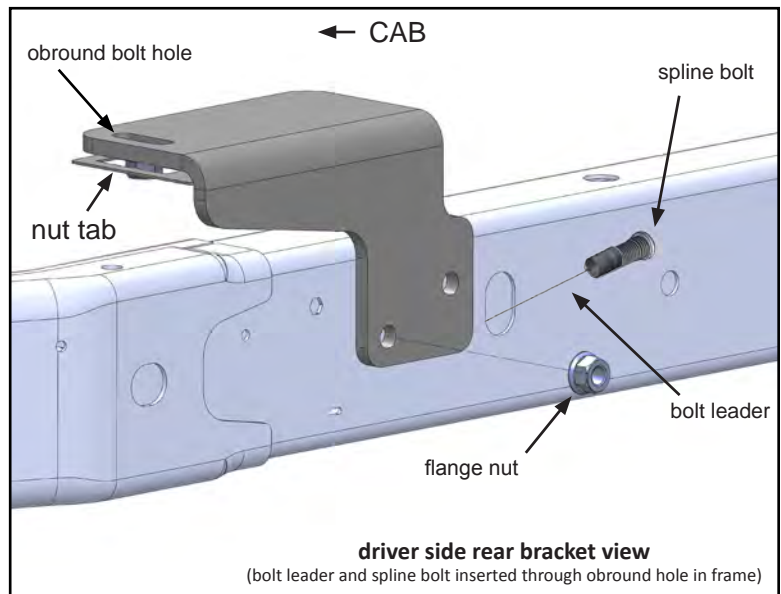
## PART 3 — REAR MOUNTING BRACKET INSTALLATION

### MOUNTING BRACKETS

1. Locate the pilot hole bed positions for the rear frame brackets. Refer to "Marking the Bed for Drilling" for the four holes.

**NOTE:** If the measurements used to locate the front rail were adjusted, remember to adjust these dimensions and all pilot hole locations the same amount for the rear bracket installation. The spacing between rail centers must be 22" or the hitch will not install properly.

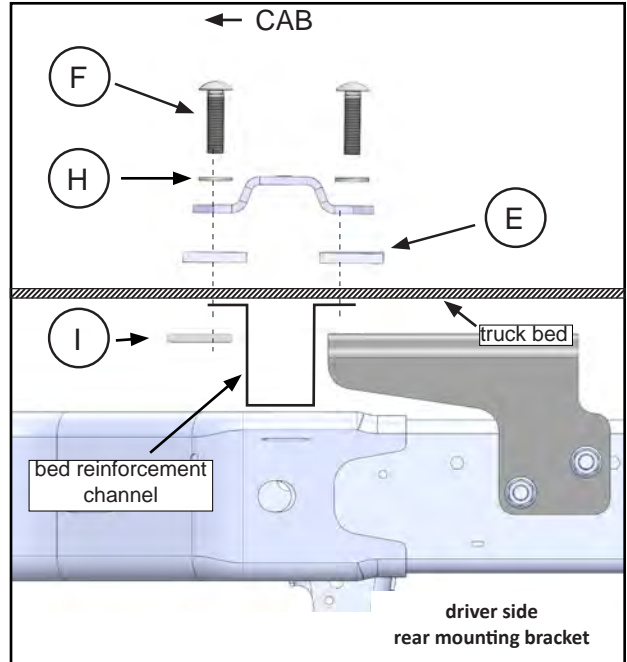
2. Lightly clamp the Driver Side Rear Mounting Bracket {A} into place.
3. Drill the driver side rear most pilot hole (Row 4 on the base rail, left) with a 1/16" drill bit, checking for centering in the obround bolt hole of the Mounting Bracket. Adjust for centering if necessary.
4. Once centered properly, remove bracket from the frame and re-drill the pilot hole with a 9/16" drill bit.
5. Repeat the steps above for the Passenger Side Rear Mounting Bracket {D}.
6. Clamp the Driver Side Mounting Bracket {A} back onto to the frame and verify that a 1/2" bolt will pass easily through the bed hole and Mounting Bracket's obround bolt hole.
7. Using the Mounting Bracket as a template, drill only through the outside wall of the truck frame with a 17/32" drill



# INSTALLATION

bit.

8. Thread a Spline Bolt {L} onto the supplied Bolt Leader {N}. Prior to installing the bolt through the frame, thread the nut on and off the bolt to ensure the nut will fit easily once the bolt is in place.
9. With the bracket clamped in place, feed the Bolt Leader and Spline Bolt through the nearby obround hole in the outer wall of the truck frame, and exit out one of the holes in the bracket.
10. Hand-tighten the Spline Bolt in place with a Flange Nut {M} to snug the Mounting Bracket flush against the frame (do not torque at this time).
11. Repeat Steps 8-10 for the remaining hole in the Mounting Bracket.
12. Repeat Steps 6-11 for the Passenger Side Rear Mounting Bracket {D}.



## REAR BASE RAIL

1. Place the Base Rail over the two previously drilled holes for the Rear Mounting Brackets. Adjust the Flange Nuts in the Mounting Bracket tab, under the holes.
2. Install the two Base Rail Bolts {F} and Flat Washers {H} as shown. Hand tighten only.
3. Verify that the Base Rail is centered right-to-left in the bed and installed square.
4. Mark the two pilot hole positions in the front flange of the rear rail. Refer to “Marking the Bed for Drilling” for bolt hole locations.
5. Drill both pilot holes with a 1/16” drill bit.
6. Remove the base rail and re-drill the pilot holes with a 9/16” drill bit.
7. Install hardware and shims as illustrated.

## PART 4 — FINAL INSTALLATION PROCEDURES

1. Set the Industry Standard hitch on the base rails and align the hitch assembly with the mounting holes.
2. Install the hitch pins and clips, to secure the hitch assembly to the base rails.
3. Make certain the hitch comes on and off without binding prior to completing final torques.
4. Tighten all bolts, including the base rail bolts, to 75 ft. lbs. or until the Mounting Bracket begins to bend snug to the frame.