



ITEM: 63120

TWO PLACE BIKE CARRIER,

DESCRIPTION: FOLDING, 1-1/4" MOUNT

WARNING:

DO NOT USE THIS BIKE CARRIER ON A TRAILER OR 5th WHEEL R.V.

ASSEMBLY INSTRUCTIONS:

1. Position the "Bike Cradles" onto the top plate of carrier as shown in Diagram 1. Attach "Bike Cradles" to top plate with the 1/4" x 1/2" Lg. Screws using the Allen Wrench supplied.
2. Assemble both tubular sections together as shown in Diagram 1 and fasten together with two 5/16" x 2-1/2" Lg. Carriage Bolts and Lock Nuts. Tighten 5/16-18 Gr5 bolts to 17 ft-lb.
3. With the bike carrier in the upright position as shown, install the "Bail Lock Pin" through hole in side plates and upright tube. Secure pin by hooking the bail wire over the end of the pin.
4. Place the bike rack receiver into your receiver hitch. Secure rack with 1/2" hitch pin and clip. (See Diagram 1)

LOADING BIKES ONTO CARRIER:

1. Load one bike onto the first "Bike Cradle" (closest to vehicle) so the horizontal seat tube of the bike rests on the rubber lined "Cradle". Adjust position of bike to find its center of gravity. Secure bike to "Cradle" using both Hook-N-Loop Straps on the "Cradle" as shown in Diagram 2. Velcro straps must be fully engaged and wrapped tight against bike tube.
2. Position the next bike onto "Cradle" so the handle bars face in opposite direction and secure using both Hook-N-Loop Straps (See Diagram 2)

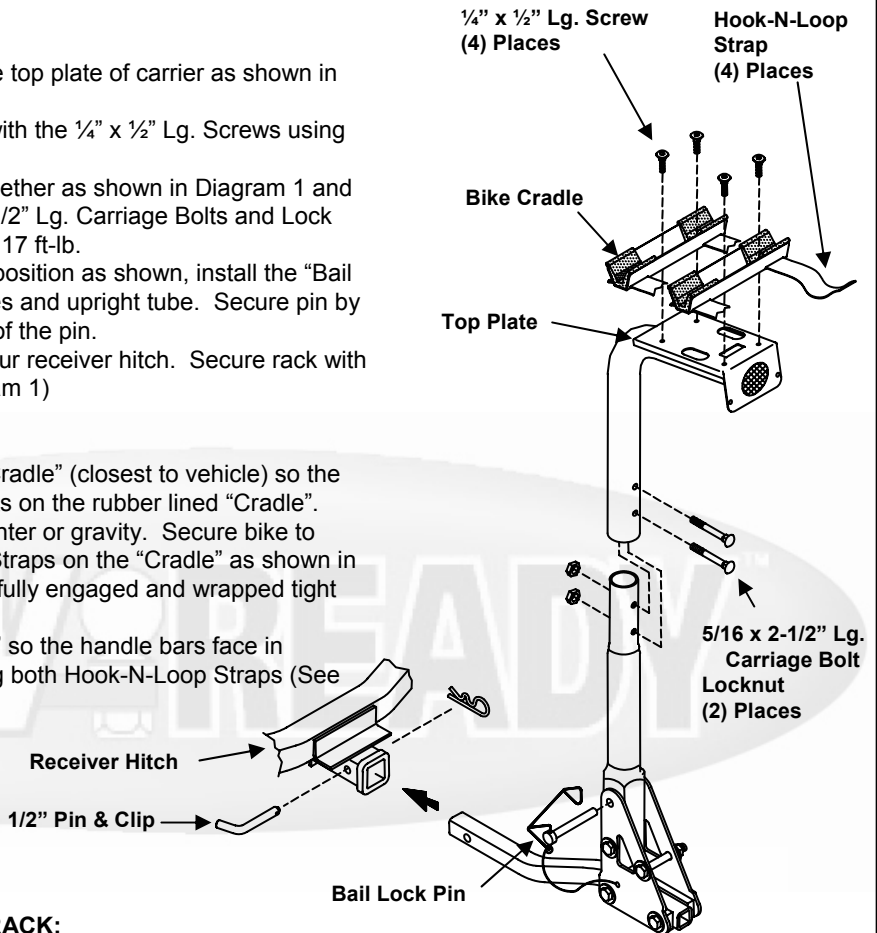


Diagram 1

INSTRUCTIONS FOR FOLDING THE RACK:

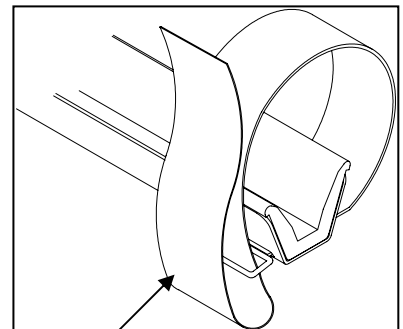
Remove the "Bail Lock Pin" from the bike carrier.

WARNING: Removal of this pin will allow the bike carrier to pivot rearward or forward. Be certain to hold the bike carrier securely when removing the locking pin to prevent the bike carrier from falling suddenly, Causing personal injury or vehicle damage.

To remove the "Bail Lock Pin" simply deflect the bail wire away from the small end of the pin and pull the pin free of the carrier.

NOTE: Do not drop or let the support tube fall freely. Make sure that your hands and fingers are clear of the hinging area during this operation. DO NOT attempt to move the vehicle unless the Bike Carrier is in the upright position and securely locked.

The series of slots in the Top Plate have been provided to allow use of a cable and padlock to protect bikes from theft. (sold separately)



Hook-N-Loop Strap

Diagram 2



ITEM: 63120

DESCRIPTION: TWO PLACE BIKE CARRIER,
FOLDING, 1-1/4" MOUNT

IMPORTANT NOTES:

- This bicycle rack has been designed to carry two (2) bikes, as long as the maximum weight on the rack does not exceed 30 kgs or 66 lb.
- This rack is designed for typical use and applications (on paved or smooth gravel roads). Do not use this rack on a vehicle that will be driven on rough roads or where the rack (and bikes) will be subjected to significant or constant jarring and/or shock, or any vehicle with very stiff springs that will transfer the load shocks directly to the rack and the bikes.
- Proper fitting and installation of this carrier to your specific vehicle is critical, and is the owner's sole responsibility.
- Improper use of this product may result in damage to your rack, your vehicle, your bicycles, or even other vehicles driving behind you (as a result of colliding with or trying to avoid fallen bicycles and/or the rack).
- TOW READY™ racks are powder coated to help prevent rust. As with any metal equipment it is recommended that you keep the rack clean and remove road salt and debris.
- When leaving them outside for extended periods of time the finish will lose its luster. It is recommended that when not in use the rack is stored indoors.
- The rack won't carry bikes with oblong frame tubes or unusually large frame sizes.
- Take care to add padding on any area of the bikes that touches another bike or any part of the vehicle. Damage can and will happen (to your bikes and/or to the vehicle) if care is not taken during the loading and transporting of your bikes, and padding used where necessary.
- Bicycle tires should be kept at least 6" away from the exhaust pipes of the vehicle. The high temperature exhaust exiting from the exhaust pipes is hot enough to melt or damage tires. Keep all bike tires totally away from the direct exhaust flow.
- Bikes fitted with large accessories (such as child carrying seat) will greatly increase the wind resistance and therefore the pressure on the rack and all vehicle-mounting points. Reducing vehicle speed will reduce the chance of any problems occurring because of this situation.
- After reading this manual, should you have any additional questions regarding the compatibility, fitting and/or use of this rack, please call your nearest TOW READY™ authorized retail dealer or Cequent Towing Products Customer Service.

WARNING:

- **DO NOT USE THIS BIKE CARRIER ON A TRAILER OR 5th WHEEL R.V.**
- Improper mounting will void the rack warranty.
- The recommended minimum ground clearance is 14". This may not be sufficient ground clearance depending on the application. Damage to bicycles or rack due to ground clearance problems are not covered by warranty.