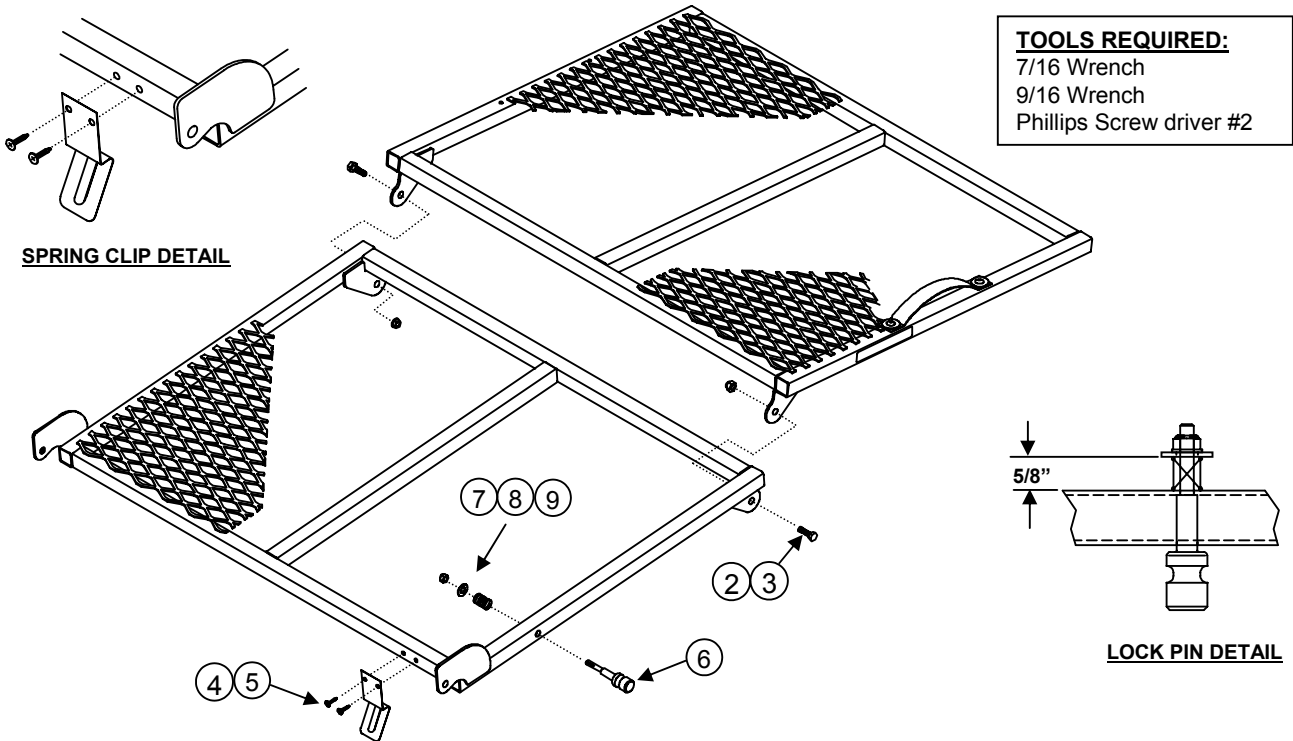


Please read all instructions carefully before assembly, installation and/or use of this product.

- WARNING:** The Maximum capacity is 400 pounds. DO NOT EXCEED lowest of: vehicle mfg's, hitch weight carry tongue weight, or cargo basket rating. Use with class 3 or higher 2" receiver hitch.
- WARNING:** Keep all body parts away from ramp sections when opening and closing ramp.
- WARNING:** Not for transport of people, animals, or flammable liquids.
- WARNING:** Do not ride equipment up ramp.
- WARNING:** Do not lubricate threads. Bolt failure may occur due to over tightening.
- WARNING:** Do not drill or weld to this product.



①	Qty. (1)	Latch Arm	⑥	Qty. (1)	Lock Pin
②	Qty. (5)	Hex Bolt, 3/8-16 x 1.00 Gr5	⑦	Qty. (1)	Coil Spring
③	Qty. (5)	Hex Locknut, 3/8-16	⑧	Qty. (1)	Flat Washer, 1/4
④	Qty. (1)	Spring Clip	⑨	Qty. (1)	Hex Locknut, 1/4-20
⑤	Qty. (2)	Screw, Self-Tapping #8			

NOTE: This ramp is designed for use with cargo basket 1040100.

ASSEMBLY INSTRUCTIONS:

1. Attach the two halves of ramp with the 3/8 hex bolts and locknuts as shown above.
2. Tighten 3/8 bolts until snug and ramp sections swing freely.
WARNING: DO NOT PLACE ANY BODY PARTS BETWEEN RAMP SECTIONS WHEN OPENING OR CLOSING RAMP.
3. Install the lock pin, coil spring, flat washer, and lock nut into hole on side of ramp as shown.
4. Tighten the 1/4-20 locknut until there is approximately 5/8" between the flat washer and ramp tube – see lock pin detail.
5. Attach the spring clip in orientation shown using two #8 self-tapping screws – see spring clip detail.

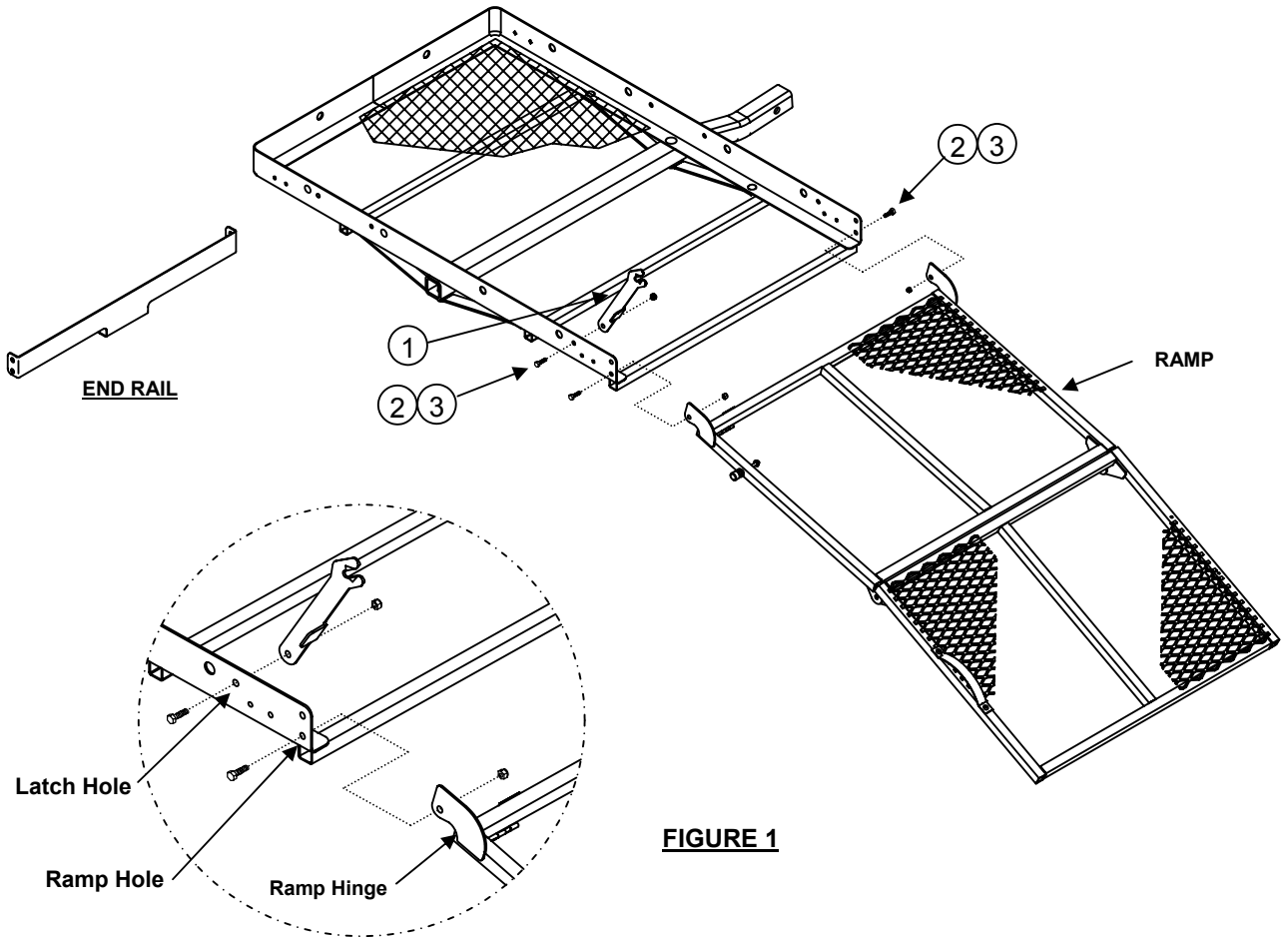


FIGURE 1

WARNING: DO NOT PLACE ANY BODY PARTS BETWEEN RAMP SECTIONS WHEN OPENING OR CLOSING RAMP.

ASSEMBLY INSTRUCTIONS:

6. Remove the end rail from cargo basket. Save end rail and bolts for use if ramp is removed.
7. To attach the ramp, align the holes in ramp hinges with the bottom holes near the end of basket as shown.
8. Install the 3/8 hex bolts and 3/8 lock nuts supplied with ramp and tighten until snug.
NOTE: The ramp hinges and latch arm are located to the inside surface of cargo basket.
9. Attach the latch arm to the cargo basket by installing the 3/8 hex bolt through the 3/8 diameter hole on basket as shown. Tighten 3/8 lock nut until snug and latch arm swings freely.

Please read all instructions carefully before assembly, installation and/or use of this product.

TIE EQUIPMENT DOWN TO CARGO BASKET

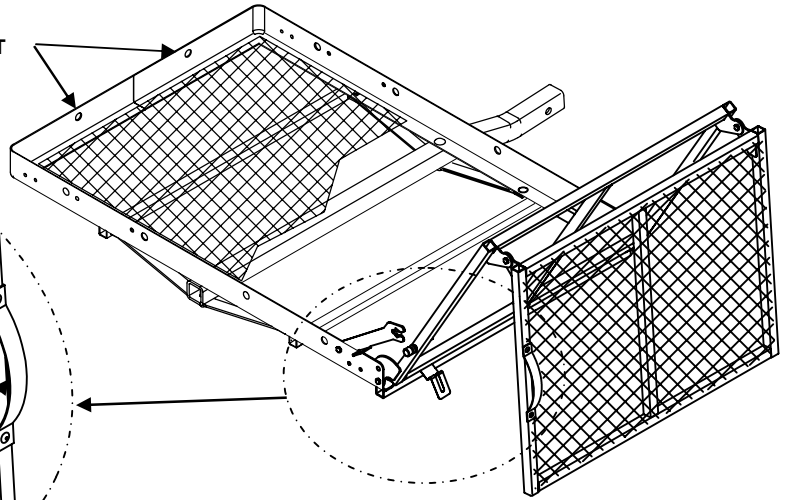
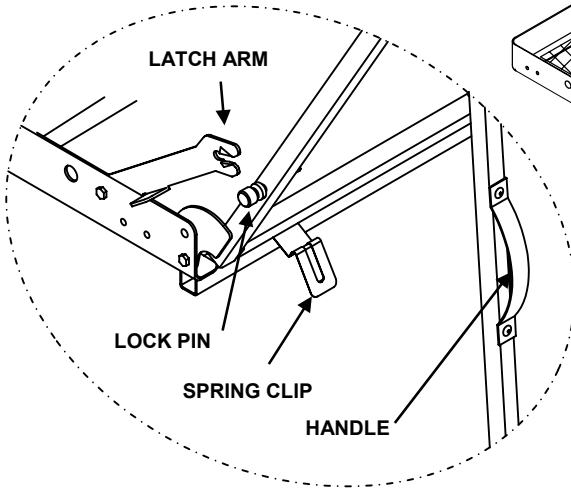


FIGURE 2

**WARNING: DO NOT PLACE ANY BODY PARTS BETWEEN RAMP SECTIONS WHEN OPENING OR CLOSING RAMP.
USE HANDLE TO LIFT RAMP.**

TO OPERATE RAMP:

To close ramp: Use handle to raise and fold up ramp aligning open end of latch arm on with lock pin. Once aligned, gently push on ramp until the lock pin engages the latch arm. Gently swing the lower section of ramp onto the spring clip – see figure 3.

To open ramp: Push down on spring clip so lower section of ramp is loose. Then place one hand on ramp handle and pull lock pin to release latch arm and gently lower the ramp.

IMPORTANT NOTES:

- Check security of lock pin, latch arm, and spring clip before every use.
- Do not secure ratchet straps to ramp or use ramp to hold equipment in cargo basket.
- Securely fasten load to cargo carrier.
- Check security of load, fasteners, pin, and clip at fuel and rest stops.

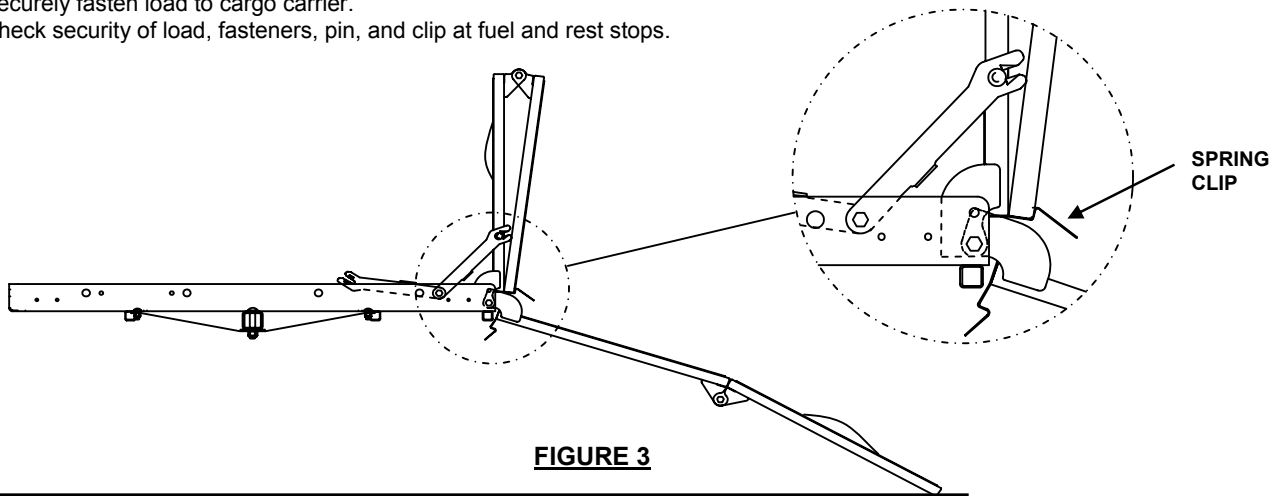


FIGURE 3