

Please read all instructions carefully before assembly, installation and/or use of this product.

**WARNING:** The Maximum capacity is **400 pounds**. **DO NOT EXCEED** lower of vehicle mfg's or hitch mfg's maximum tongue weight rating. Use with class 3 or higher 2" receiver hitch.

**WARNING:** Keep tip of vehicle exhaust pipe clear of obstructions. Use an additional exhaust tip to redirect exhaust if carrier or cargo is in-line with exhaust. A blocked exhaust tip can cause fire or carbon monoxide to back up into vehicle.

**WARNING: DO NOT** transport people, animals, or flammable liquids on the cargo carrier.

**WARNING: DO NOT** carry any loads wider than your vehicle.

**WARNING: DO NOT** use as a seat or step.

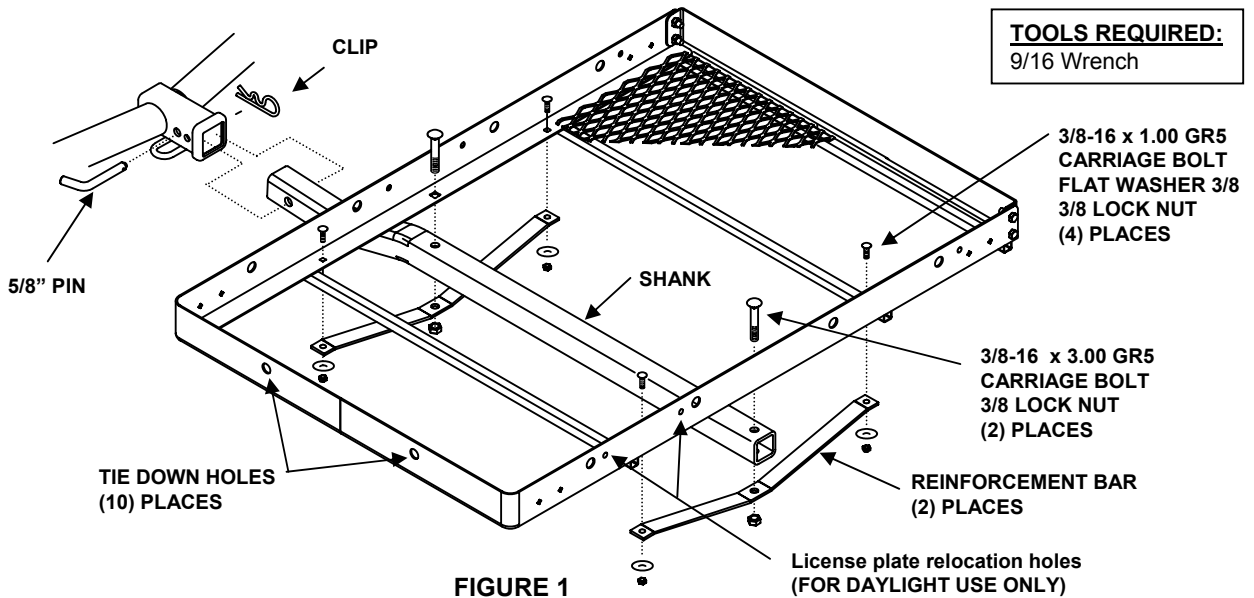
**WARNING:** Securely fasten load to cargo carrier.

**WARNING:** Use light kit #6504 if the load or cargo carrier blocks the taillights or turn signals.

**WARNING:** Relocate license plate if blocked by load or cargo carrier.

**WARNING:** Do not cut, drill, weld, or modify this product.

During Transport: Drive slowly on rough roads - Severe bumps can damage your tow vehicle, hitch, and cargo carrier. Stop and make a thorough inspection if your cargo carrier strikes the road and correct any problems before resuming travel. Check security of load, fasteners, pin, and clip at fuel and rest stops.

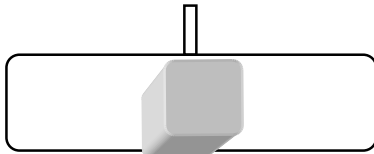


**FIGURE 1**

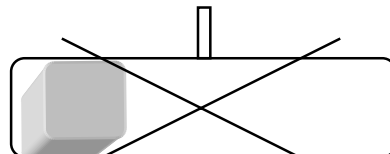
**ASSEMBLY INSTRUCTIONS:**

1. Insert shank into your vehicle's hitch receiver and secure with 5/8" pin and clip supplied.
2. Set the cargo basket on top of the shank lining up the two square holes in the center of the basket with the holes in the shank. Loosely install the 3/8" x 3.00" long carriage bolts through the basket and shank.
3. Install the reinforcement bars onto the 3/8" carriage bolts as shown and loosely install the 3/8" lock nuts.
4. Install the 3/8" x 1.00" long carriage bolts through basket and reinforcement bars and loosely install the 3/8" flat washers and 3/8" lock nuts.

Tighten all 3/8-16 GR5 fasteners with torque wrench to 30 Lb.-Ft. (40 N\*M)



**CORRECT**



**INCORRECT**

**LOADING**

Load the Cargo Basket so that most of the weight is in the center of the platform.