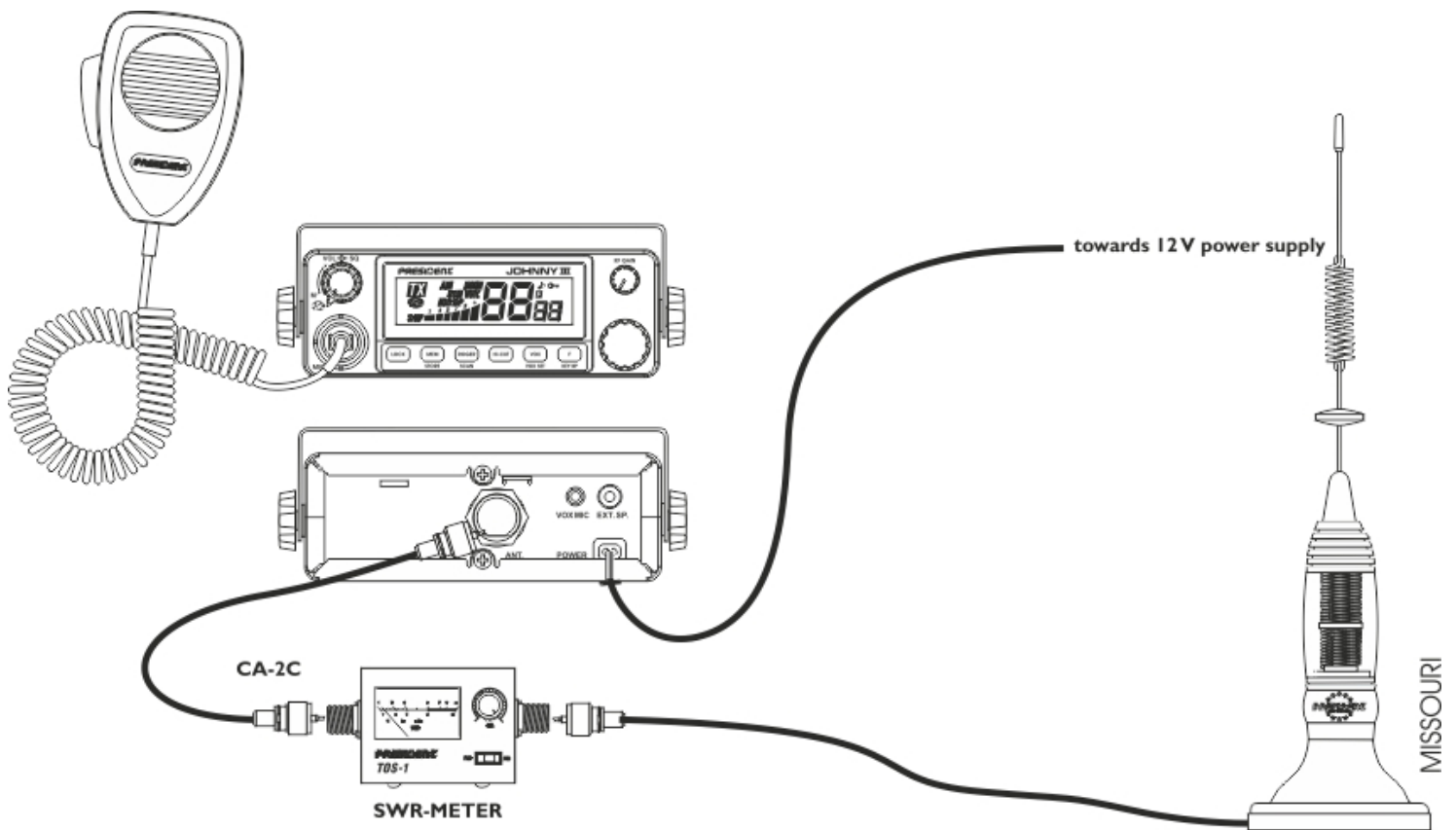


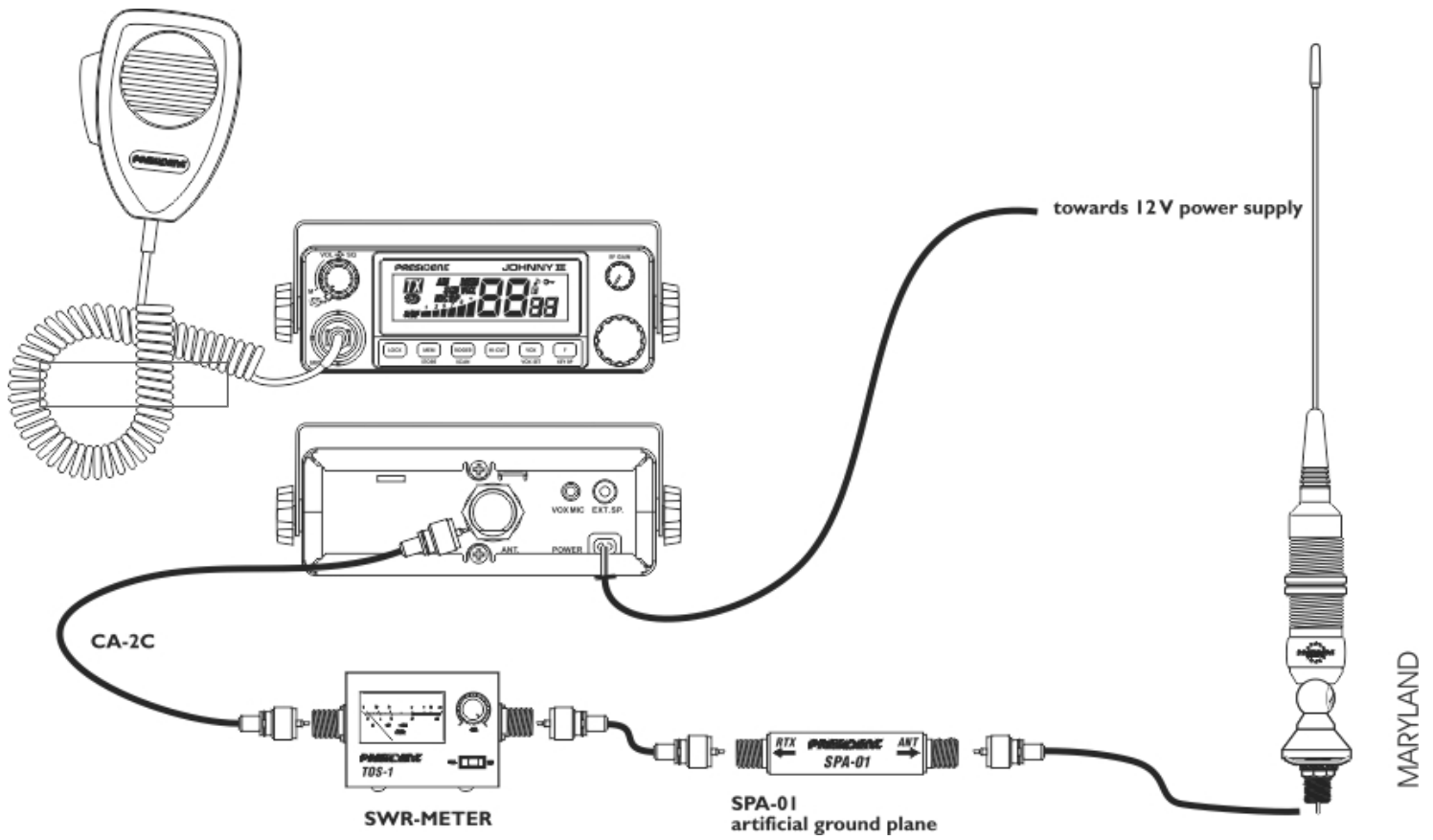
## TYPES OF INSTALLATION

### MOBILE RADIO 12V

- vehicle with metallic coachwork

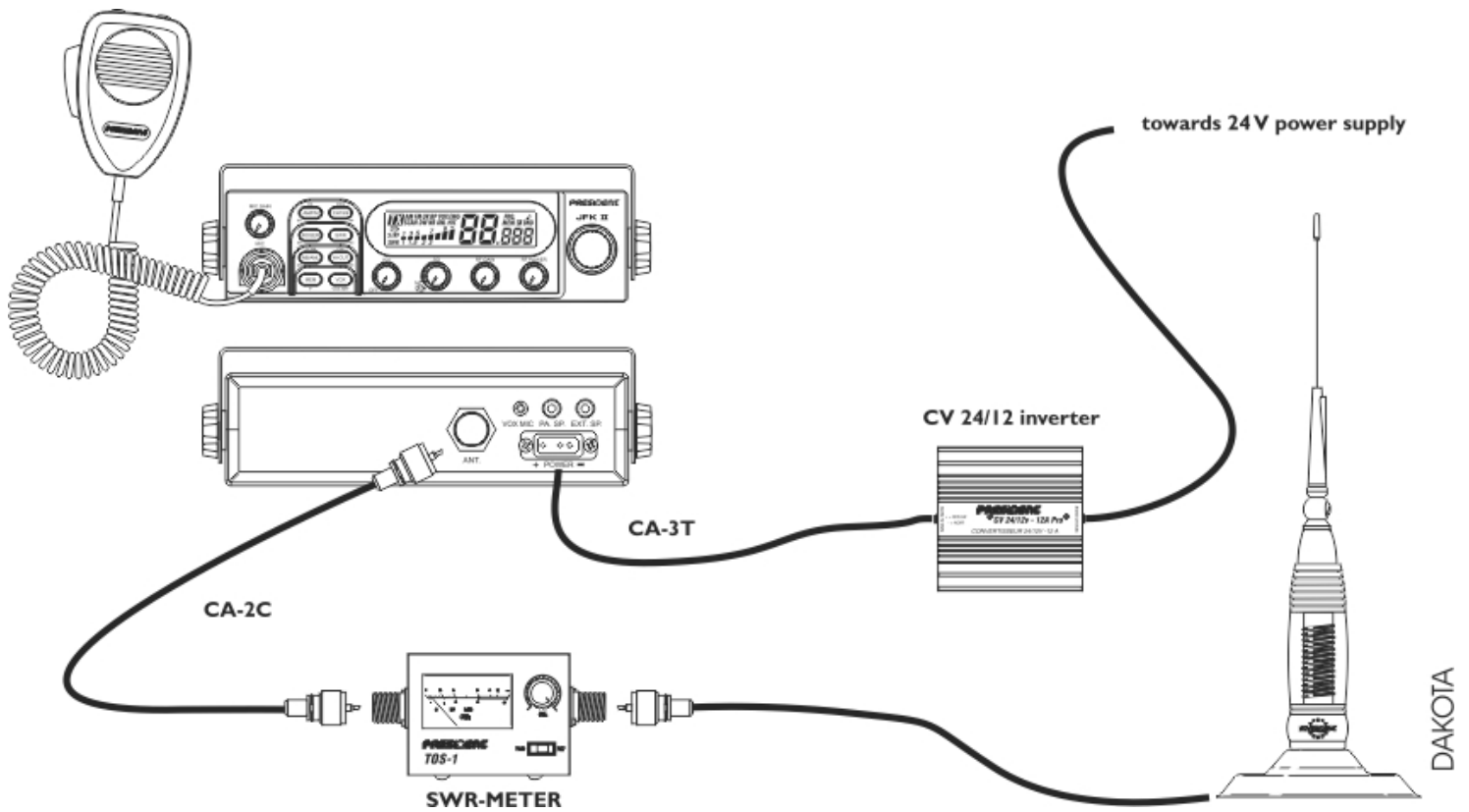


- vehicle with coachwork of composite material

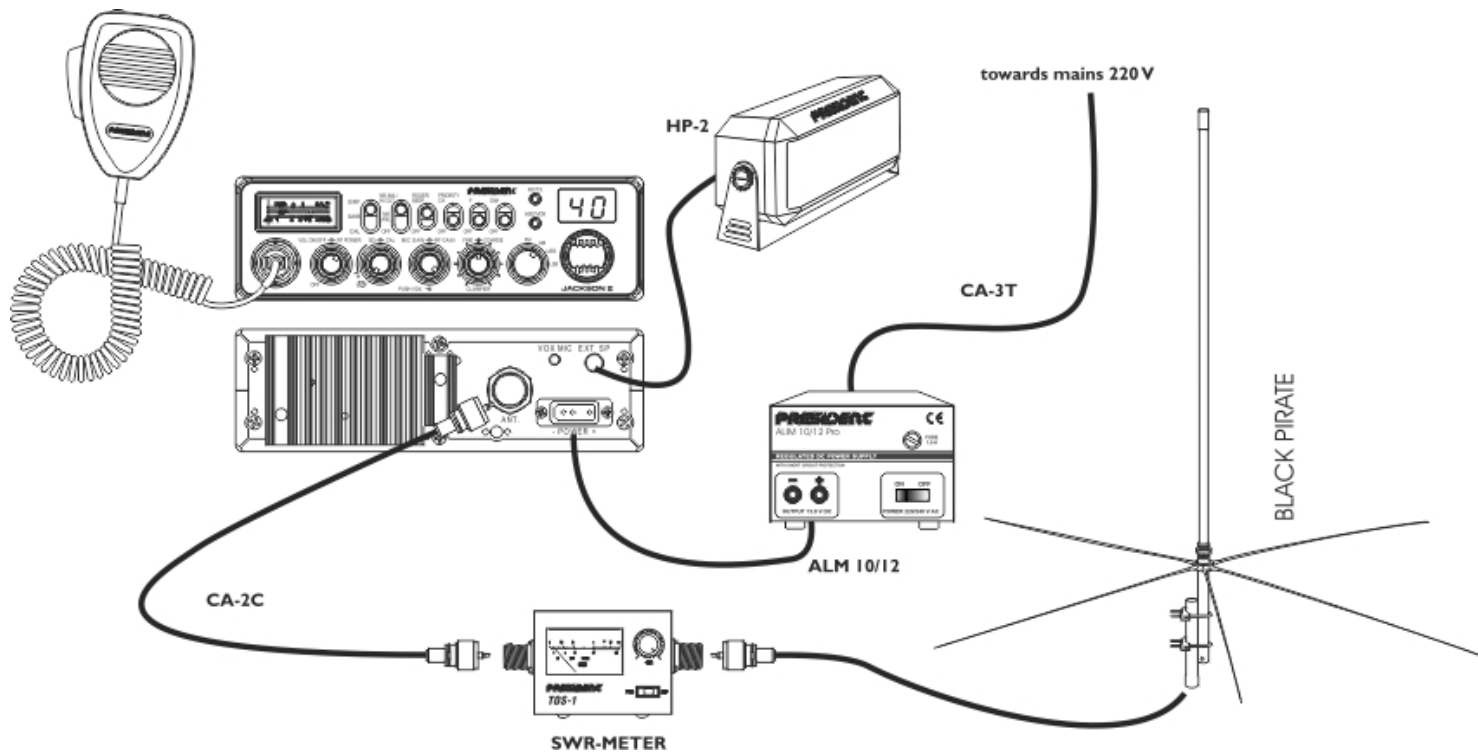


## MOBILE RADIO 24V

- vehicle with metallic coachwork



# FIXED RADIO





THOMAS ASC										■	■	■	
Tommy			■	■									■
Truman			■	■									■
Valery Classic*	■	■				■	■						■
Walker			■	■									■
WALKER II			■	■									■
WILLIAM ASC										■		■	
Wilson*	■	■				■	■						■
Réf.	ACFD124	ACFD126	ACFD521	ACFD520		ACDC004		ACFD200		ACDC200		ACFD093	TXMU000
	Micro DNC 518 6 broches	Micro DNC 518 U/D 6 broches	Micro DNC 520 6 broches	Micro DNC 520 U/D 6 broches	Micro DIN 5 broches	Micro 4 broches	Micro 6 broches	Micro Jimmy 4 broches	Micro Ninja 6 broches	Micro mains-libres	Micro RJ45	Micro/HP RJ45	Micro LIBERTY-MIC

\* check the number of micro pins in your version

■ Compatible but without the Up / Down function

■ Compatible

# FREQUENCY TABLE

## BAND EU / E / EC / U (CEPT)

N° canal	Frequency	N° canal	Frequency
1	26,965 MHz	21	27,215 MHz
2	26,975 MHz	22	27,225 MHz
3	26,985 MHz	23	27,255 MHz
4	27,005 MHz	24	27,235 MHz
5	27,015 MHz	25	27,245 MHz
6	27,025 MHz	26	27,265 MHz
7	27,035 MHz	27	27,275 MHz
8	27,055 MHz	28	27,285 MHz
9	27,065 MHz	29	27,295 MHz
10	27,075 MHz	30	27,305 MHz
11	27,085 MHz	31	27,315 MHz
12	27,105 MHz	32	27,325 MHz
13	27,115 MHz	33	27,335 MHz
14	27,125 MHz	34	27,345 MHz
15	27,135 MHz	35	27,355 MHz
16	27,155 MHz	36	27,365 MHz
17	27,165 MHz	37	27,375 MHz
18	27,175 MHz	38	27,385 MHz
19	27,185 MHz	39	27,395 MHz
20	27,205 MHz	40	27,405 MHz

## BAND U (ENG)

<b>N° canal</b>	<b>Frequency</b>	<b>N° canal</b>	<b>Frequency</b>
1	27,60125 MHz	21	27,80125 MHz
2	27,61125 MHz	22	27,81125 MHz
3	27,62125 MHz	23	27,82125 MHz
4	27,63125 MHz	24	27,83125 MHz
5	27,64125 MHz	25	27,84125 MHz
6	27,65125 MHz	26	27,85125 MHz
7	27,66125 MHz	27	27,86125 MHz
8	27,67125 MHz	28	27,87125 MHz
9	27,68125 MHz	29	27,88125 MHz
10	27,69125 MHz	30	27,89125 MHz
11	27,70125 MHz	31	27,90125 MHz
12	27,71125 MHz	32	27,91125 MHz
13	27,72125 MHz	33	27,92125 MHz
14	27,73125 MHz	34	27,93125 MHz
15	27,74125 MHz	35	27,94125 MHz
16	27,75125 MHz	36	27,95125 MHz
17	27,76125 MHz	37	27,96125 MHz
18	27,77125 MHz	38	27,97125 MHz
19	27,78125 MHz	39	27,98125 MHz
20	27,79125 MHz	40	27,99125 MHz

**BAND D**

<b>N° canal</b>	<b>Frequency</b>	<b>N° canal</b>	<b>Frequency</b>
1	26,965 MHz	41	26,565 MHz
2	26,975 MHz	42	26,575 MHz
3	26,985 MHz	43	26,585 MHz
4	27,005 MHz	44	26,595 MHz
5	27,015 MHz	45	26,605 MHz
6	27,025 MHz	46	26,615 MHz
7	27,035 MHz	47	26,625 MHz
8	27,055 MHz	48	26,635 MHz
9	27,065 MHz	49	26,645 MHz
10	27,075 MHz	50	26,655 MHz
11	27,085 MHz	51	26,665 MHz
12	27,105 MHz	52	26,675 MHz
13	27,115 MHz	53	26,685 MHz
14	27,125 MHz	54	26,695 MHz
15	27,135 MHz	55	26,705 MHz
16	27,155 MHz	56	26,715 MHz
17	27,165 MHz	57	26,725 MHz
18	27,175 MHz	58	26,735 MHz
19	27,185 MHz	59	26,745 MHz
20	27,205 MHz	60	26,755 MHz
21	27,215 MHz	61	26,765 MHz
22	27,225 MHz	62	26,775 MHz



23	27,255 MHz	63	26,785 MHz
24	27,235 MHz	64	26,795 MHz
25	27,245 MHz	65	26,805 MHz
26	27,265 MHz	66	26,815 MHz
27	27,275 MHz	67	26,825 MHz
28	27,285 MHz	68	26,835 MHz
29	27,295 MHz	69	26,845 MHz
30	27,305 MHz	70	26,855 MHz
31	27,315 MHz	71	26,865 MHz
32	27,325 MHz	72	26,875 MHz
33	27,335 MHz	73	26,885 MHz
34	27,345 MHz	74	26,895 MHz
35	27,355 MHz	75	26,905 MHz
36	27,365 MHz	76	26,915 MHz
37	27,375 MHz	77	26,925 MHz
38	27,385 MHz	78	26,935 MHz
39	27,395 MHz	79	26,945 MHz
40	27,405 MHz	80	26,955 MHz

## BAND PL

<b>N° canal</b>	<b>Frequency</b>	<b>N° canal</b>	<b>Frequency</b>
1	26,960 MHz	21	27,210 MHz
2	26,970 MHz	22	27,220 MHz
3	26,980 MHz	23	27,250 MHz
4	27,000 MHz	24	27,230 MHz
5	27,010 MHz	25	27,240 MHz
6	27,020 MHz	26	27,260 MHz
7	27,030 MHz	27	27,270 MHz
8	27,050 MHz	28	27,280 MHz
9	27,060 MHz	29	27,290 MHz
10	27,070 MHz	30	27,300 MHz
11	27,080 MHz	31	27,310 MHz
12	27,100 MHz	32	27,320 MHz
13	27,110 MHz	33	27,330 MHz
14	27,120 MHz	34	27,340 MHz
15	27,130 MHz	35	27,350 MHz
16	27,150 MHz	36	27,360 MHz
17	27,160 MHz	37	27,370 MHz
18	27,170 MHz	38	27,380 MHz
19	27,180 MHz	39	27,390 MHz
20	27,200 MHz	40	27,400 MHz

## BAND IN

<b>N° canal</b>	<b>Frequency</b>	<b>N° canal</b>	<b>Frequency</b>
1	26,965 MHz	21	27,215 MHz
2	26,975 MHz	22	27,225 MHz
3	26,985 MHz	23	27,255 MHz
4	27,005 MHz	24	27,235 MHz
5	27,015 MHz	25	27,245 MHz
6	27,025 MHz	26	27,265 MHz
7	27,035 MHz	27	27,275 MHz
8	27,055 MHz		
9	27,065 MHz		
10	27,075 MHz		
11	27,085 MHz		
12	27,105 MHz		
13	27,115 MHz		
14	27,125 MHz		
15	27,135 MHz		
16	27,155 MHz		
17	27,165 MHz		
18	27,175 MHz		
19	27,185 MHz		
20	27,205 MHz		