

PPW PROFESSIONAL PARTS WAREHOUSE

YOUR SOURCE FOR
PLOWS – SPREADERS – PARTS

83
NEW PRODUCTS



HARD WORKING PARTS FOR HARD WORKING PEOPLE



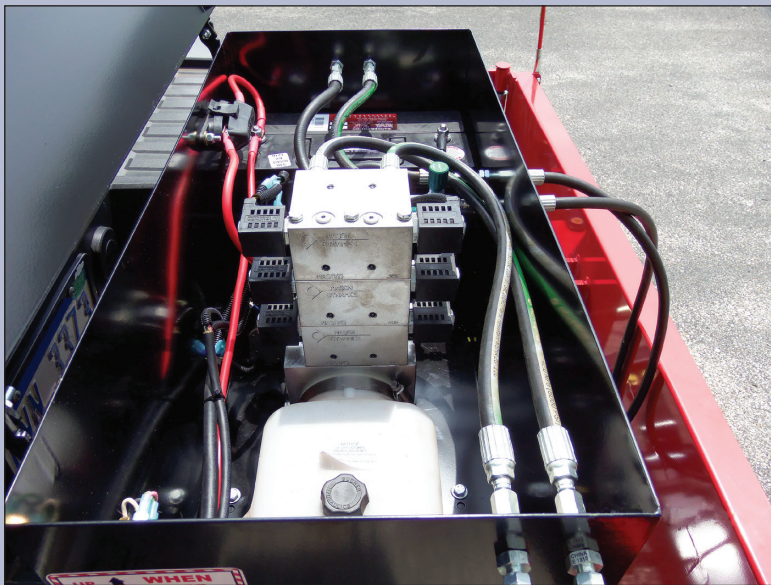
C1 EDITION CATALOG

SHORT IRON – REVOLUTIONIZING THE PLOW INDUSTRY ONE BACK-BLADE AT A TIME

**NEW
PRODUCT**

See pages 14 - 17

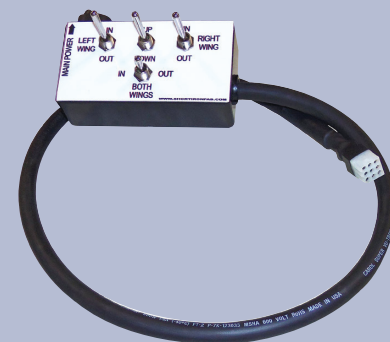
**SHORTIRON
BACKBLADES**



FULLY ENCLOSED PUMP BOX



UNIVERSAL HITCH MOUNT



TOGGLE CONTROL SYSTEM

Make short work of parking lots and driveways with a Short Iron Back-Blade Plow. This Blade is Manufactured and built Michigan tough. Available in a Hydraulic Winged model from 12 foot, 14 foot and 16 foot blades or a Fixed Winged model from 7 foot, 7.6 foot, 8 foot and 8.6 foot blades.

Short Iron Back Blades
Distributed by Professional Parts Warehouse

PPW PROFESSIONAL PARTS
WAREHOUSE®

Table of Contents

Category	Page
Table Of Contents	1
HI VIS NEW PRODUCT	2 - 3
Towing Products NEW PRODUCT	4 - 7
SnowDogg® Complete Plows	8 - 11
Meyer® Complete Plows	12 - 13
Short Iron Back Blades NEW PRODUCT	14 - 17
WESTERN® Complete Plows	18 - 19
Walk Behind & ATV Spreaders	20 - 21
Tailgate Spreaders	22 - 24
V-Box Spreaders	25 - 33
Under Tailgate Spreaders	34
Liquid Spray Systems	35
Municipal Parts & Accessories	36 - 37
TGSUVPROA - Tailgate Replacement Parts	38
TGSUV1B - Tailgate Replacement Parts	39
TGS01B - Tailgate Replacement Parts	40
TGS03 - Tailgate Replacement Parts	41
TGS05B - Tailgate Replacement Parts	42
Mount & Lift Frame Identification	43
SnowDogg® MD Plow Replacement Parts	44 - 45
SnowDogg® VMD Plow Replacement Parts	46 - 47
SnowDogg® HD/EX Plow Replacement Parts	48 - 49
SnowDogg® TE Plow Replacement Parts	50 - 51
SnowDogg® VXF Plow Replacement Parts	52 - 53
SnowDogg® XP Plow Replacement Parts	54 - 55
SnowDogg® CM Plow Replacement Parts	56 - 57
SnowDogg® Plow Pump Replacement Parts	58 - 59
BOSS® RT3 Straight Blade Plow Replacement Parts	60 - 61
BOSS® RT3 Power V Blade Plow Replacement Parts	62 - 63
BOSS® Hydraulic Power Unit Assembly Replacement Parts	64 - 65
BOSS® Cutting Edges, Cylinders & Seal Kits	66 - 67
BOSS® 13-Pin Identification	68
Headlight Bulb Identification	69
Meyer® Home Plow Replacement Parts	70 - 71
Meyer® TM & ST Plow Replacement Parts	72
Meyer® Husky "C" Series Plow Replacement Parts	73
Meyer® Drive Pro™ Plow Replacement Parts	74 - 75
Meyer® Lot Pro™ Plow Replacement Parts	76 - 77
Meyer® Super V & Super V2 Plow Replacement Parts	78 - 79
Meyer® E47 Pump To Control Schematic - Slick Stick	80
Meyer® E47 / E47H Rebuild Kits	81
Meyer® E46 / E47 / E46H / E47H Pump Replacement Parts	82 - 83
Meyer® E57 Pump To Control Schematic - Pistol Grip	84
Meyer® E57 / E57H Rebuild Kits	85
Meyer® E57 / E57H Pump Replacement Parts	86 - 87
Meyer® E58H Pump To Control Schematic - Pistol Grip	88

Category	Page
Meyer® E58H Rebuild Kits	89
Meyer® E58H Pump Replacement Parts	90 - 91
Meyer® E60 Pump To Control Schematic - Touch Pad	92
Meyer® E60 / E60H Rebuild Kits	93
Meyer® E60 / E60H Pump Replacement Parts	94 - 95
Meyer® V70 Pump To Control Schematic - Pistol Grip	96
Meyer® V70 Pump Replacement Parts	97
Meyer® Coupler & Hose Identification	98
Meyer® Hoses, Valves, Coils & Fittings	99
Meyer® Cylinders & Packing	100
Meyer® Light & Wiring Schematic	101
Meyer® Controls, Harnesses & Hydraulic Fluid	102
Meyer® Cutting Edges (Steel / Rubber)	103
Meyer® Motors & Solenoids	104
Winches NEW PRODUCT	105
WESTERN® Standard & Pro UniMount® Plow Replacement Parts	106 - 107
WESTERN® UltraMount® Plow Replacement Parts	108 - 109
WESTERN® PRO PLUS® Plow Replacement Parts	110 - 111
WESTERN® WIDE-OUT® Plow Replacement Parts	112 - 113
WESTERN® MVP® Plow Replacement Parts	114 - 115
WESTERN® MVP PLUS™ Plow Replacement Parts	116 - 117
WESTERN® Cable Operated Pump Replacement Parts	118 - 119
WESTERN® Solenoid Operated Pump Replacement Parts	120 - 121
WESTERN® MVP® Pump UniMount® Replacement Parts	122 - 123
WESTERN® Flo-Stat® UltraMount® Replacement Parts	124 - 125
WESTERN® WIDE-OUT® UltraMount® Pump Replacement Parts	126 - 127
WESTERN® MVP® UltraMount® Pump Replacement Parts	128 - 129
WESTERN® MVP PLUS™ UltraMount® Pump Replacement Parts	130 - 131
WESTERN® Relay / ISO Light & Wiring Schematic	132 - 133
WESTERN® Hoses, Fittings, Valves, Coils & Controls	134
WESTERN® Cutting Edges (Steel / Rubber), Cylinders & Packing	135
WESTERN® Motors & Solenoids	136
FISHER® Replacement Parts	137 - 140
Cylinders - Blizzard®, BOSS®, CURTIS®, FISHER®, Meyer®, Sno-Way® & WESTERN®	141
Cutting Edges - Blizzard®, BOSS®, CURTIS®, FISHER®, Meyer®, Sno-Way® & WESTERN®	142 - 143
Plow & Warning Lights	144 - 146
Accessories - Snow Deflectors, Blade Guides, Etc.	147 - 148
Sno-Way® Replacement Parts	149
Snowplow Fit Order Form	150
Timbren	151
Suggested Display Parts Kit	152

BEING VISIBLE IS IMPORTANT IN ALL TYPES OF WEATHER & WE'VE GOT YOU COVERED!

SHIRTS



OCCUNOMIX
Classic Black Bottom T-Shirt, 100% ANSI Wicking Birdseye, 2" Silver Reflective Tape, Lightweight Fabric, 1 Left Chest Pocket, Black Bottom to Hide Dirt

Part No.	Color Options	Sizes
LUX-SSETPBK	Yellow/Black Bottom	S - 5X



CARHARTT Force™ Color-Enhanced Short Sleeve T-Shirt, 4.25oz, 100% polyester bird's eye knit, Force™ Fabric Wicks away Sweat & Releases Stains w/Stain Breaker™ Technology, Left Chest Pocket

Part No.	Color Options	Sizes
100495	Brite Lime & Brite Orange	Brite Lime M - 4XL Brite Orange M - 4XL



CARHARTT Force™ Color-Enhanced Short Sleeve T-Shirt, 4.25oz, 100% polyester bird's eye knit, Force™ Fabric Wicks away Sweat & Releases Stains w/Stain Breaker™ Technology, Left Chest Pocket

Part No.	Color Options	Sizes
100493	Brite Lime & Brite Orange	Brite Lime S - 4XL Brite Orange S - 2XL



CARHARTT Force™ Color-Enhanced Long Sleeve T-Shirt, Class 3, 4.25oz, 100% polyester bird's eye knit, Force™ Fabric Wicks away Sweat & Releases Stains w/Stain Breaker™ Technology, Left Chest Pocket, 3M™ Scotchlite™ Reflective Material

Part No.	Color Options	Sizes
100496	Brite Lime & Brite Orange	Brite Lime M - 4XL Brite Orange M - 4XL

VESTS



OCCUNOMIX Premium Mesh 5-pt Break-Away Vest, Class 2, 2" 3M™ Scotchlite™ Reflective Material, 100% ANSI Polyester Mesh, Pockets: 1 Outer Lower, 1 Inner Chest w/ Hook & Loop & Mic Tab, Hook & Loop Closure

Part No.	Color Options	Sizes
LUX-SSBRPC	Yellow & Orange	Orange M - 4X Yellow S - 6X



WOLVERINE Mile Marker Vest, Combines Hi-Vis & Orange for Increased Visibility, Class 2, Level 2 ANSI/SEA Certified, 3M™ Scotchlite™ Reflective Material, Mesh

Part No.	Color Options	Sizes
W1108900	Green	M - XXL

SWEATSHIRTS



PIP Black Bottom Pullover Hooded Sweatshirt, ANSI Type R Class 3, 10oz Polyester Fleece, Water Repellent Shell Treatment, 2" Silver Reflective Tape, Black Bottom & Cuffs to Hide Dirt, Front Hand Warmer Pockets, 1 Left Zippered Chest Pocket

Part No.	Color Options	Sizes
323-1350B	Yellow & Orange	S - 5X



PIP Black Bottom Pullover Sweatshirt, ANSI Type R Class 3, 10oz Polyester Fleece, Quarter Zip Collar, Water Repellent Shell Treatment, 2" Silver Reflective Tape, Black Bottom & Cuffs to Hide Dirt, Front Hand Warmer Pocket, 1 Left Zippered Chest Pocket

Part No.	Color Options	Sizes
323-1330B	Yellow & Orange	S - 5X

BEING VISIBLE IS IMPORTANT IN ALL TYPES OF WEATHER & WE'VE GOT YOU COVERED!

JACKETS



RADIANS Weather Proof Multi-Color Bomber Jacket w/Quilted Built-In Liner, 2" Silver Reflective Tape, Coated Weather Proof 300D Oxford Polyester Shell, Concealed Detachable Hood, Elastic Waistband & Cuffs, Zippered, Lined Slash Pockets, 3D Flap Covered Cell Phone/Radio Chest Pocket, One Inside Open Chest Pocket, Mic Tabs on Both Shoulders

Part No.	Color Options	Sizes
SJ12-3ZMS	Multi Color	M - 5X



RADIANS Three-In-One Weatherproof Parka w/Black Bottom has Zip Out Fleece Jacket w/Lined Sleeves, Zippered Pockets & Pass Through on Back, PU Coated Oxford Polyester Weather Proof Shell, 2" Silver reflective Tape, Mic Tabs on Both Shoulders, Concealed Attached Hood, Wrist Cuffs w/Closure

Part No.	Color Options	Sizes
SJ410B-3ZGS	Green	M - 5X



RADIANS Three-In-One Deluxe Bomber Jacket w/Black Bottom has Zip Out Fleece Jacket w/Lined Sleeves, Concealed Attached Hood, Elasticized Waistband & Several Inner & Outer Pockets 2" Silver reflective Tape, PU Coated Weather Proof Polyester Shell, Cell Phone/Radio Chest Pocket

Part No.	Color Options	Sizes
SJ210B-3ZGS	Green	M - 5X



CARHARTT Class 3 Waterproof Jacket, Made of 250-Denier, 100% Polyester w/Water-Repellent Finish & Waterproof Membrane, 100% Polyester Mesh lining & 100% Nylon Taffeta Sleeve Lining for Easy In & Out, Interior Stretch-Polyester Sorm Cuffs, Snap-On/Removable Contoured Hood, & Heavy Duty Zipper w/Storm Flaps, 2 Inside Pockets, 3M™ Scotchlite™ Reflective Material

Part No.	Color Options	Sizes
100499	Brite Lime	M - 4XL

JACKET & PANTS



AHLBORN EQUIPMENT AN-SI-Rated Class 3 Rain Suit w/ Jacket & Pants, 100% Polyester. Extra Long Jacket w/ Heavy Duty Zipper, Pockets, Velcro Wrist, Drawstring Hood, Vented Underarms, & Reflective Stripes. Pants w/Side Pockets, Drawstring waist, & Roomy Legs.

Part No.	Color Options	Sizes
7252G	Yellow	S - 5X

PANTS



CAT Trademark Trouser, Multi-Purpose Pockets & Scuff Guards, ANSI Class E, EN ISO 20471 Class 2

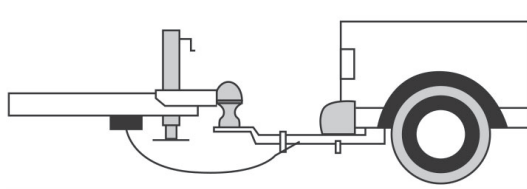
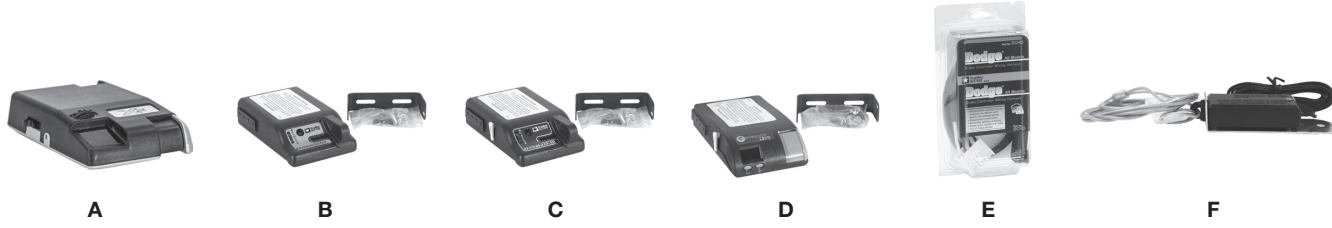
Part No.	Color Options	Sizes
C172EHV	Orange/Black & Yellow/Black	Waist 30 - 42 Length 30 - 36

Towing and Cargo Control

Brake Controllers



Buyers®



A. 2 AXLE BRAKE CONTROLLER

- For use with 2 or 4 electronic brakes
- Durable die-cast housing
- Digital display
- Quick connect wire plug
- Includes mounting bracket and hardware
- Limited lifetime warranty

B. 2 AXLE BRAKE CONTROLLER

- Time-based electronic trailer brake controller
- Recommended for light-duty trailers with 2 or 4 electronic brakes
- Quick connect wire plug
- Safest time-based controller available
- Includes mounting bracket and hardware
- 3-Year warranty

C. 2 AXLE PROPORTIONAL BRAKE CONTROLLER

- Proportional electronic trailer brake controller
- Faster/smoothier stopping performance
- Recommended for medium/heavy-duty trailers with 2 or 4 electronic trailer brakes
- Quick connect wire plug
- Automatic and manual trailer braking
- Includes mounting bracket and hardware
- 5-Year warranty

D. 4 AXLE PROPORTIONAL BRAKE CONTROLLER, DIGITAL

- Recommended for medium/heavy-duty trailers with 2, 4, 6 or 8 electronic brakes
- Faster/smoothier, proportional braking
- Digital controller
- Adjustable turn-on power
- Built-in diagnostic display
- Quick connect wire plug
- Automatic and manual trailer braking
- Includes mounting bracket and hardware
- Lifetime warranty

E. BRAKE CONTROL WIRING HARNESS

- Electric brake controller wiring connector for vehicles with factory tow package wiring
- Simple plug-in installation, eliminates errors
- No cutting, splicing or taping
- Simple quick connect 3' leads, saves on installation time
- Fits Dodge, Ford, Chevy/GMC

F. BREAKAWAY SWITCH KIT, 6-24 VOLT

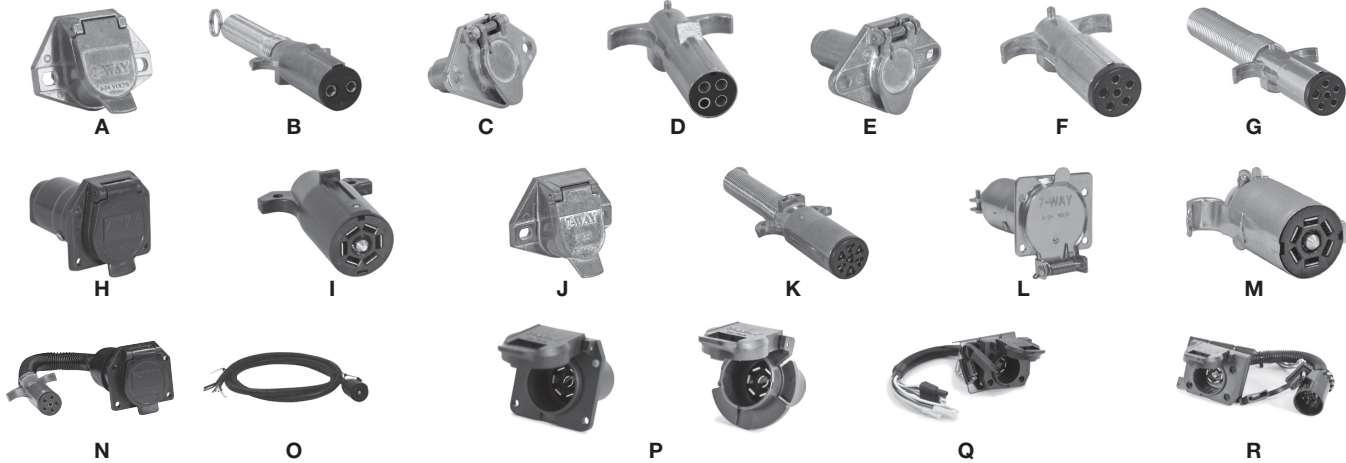
- 48" Plastic coated high-strength cable
- Zinc plated mounting bracket: bolt-on or weld-on
- 6-24 Volt
- Switch activates electric brakes if emergency cable pulls out
- Easy to use spring clip
- NOT a substitute for safety chains
- Retail packaged

Compares to Redneck™ 2010 (420000), Tekonsha™ Model 2010

Dia. No	Part No.	Description
A	5422000	2 Axle Brake Controller
B	BC2A	2 Axle Brake Controller
C	BC2AP	2 Axle Proportional Brake Controller
D	BC4APD	4 Axle Proportional Brake Controller, Digital
E	BCHD	Brake Control Wiring Harness, Dodge (96-09)
E	BCHF	Brake Control Wiring Harness, Ford F150, Explorer, Expedition (94-09)

Dia. No	Part No.	Description
E	BCHF1	Brake Control Wiring Harness, Ford SD, F250-550 (05-06)
E	BCHF2	Brake Control Wiring Harness, Ford SD, F250-550 (07 Plus)D93
E	BCHGM03	Brake Control Wiring Harness, Chevy/GMC (03 Plus)
F	5422010	Breakaway Switch, 12V w/ 48" Pre-wired Loop
N/A	5422012	Pin & Cable Replacement for 5422010 Breakaway Switch

Trailer Connectors



Buyers®

A. - B. 2 WAY ZINC TRAILER CONNECTOR

- TC1002 (Truck End)
TC2001 (Trailer End)
TC2061 (Trailer End)
- Die-cast metal
 - Round pins, split brass formed for positive contact
 - Floating male pins for easy hook-up

C. - D. 4 WAY METAL TRAILER CONNECTOR

- TC1004 (Truck End)
TC2004 (Trailer End)
- Die-cast metal
 - Round pins, split brass formed for positive contact
 - Floating male pins for easy hook-up

E. - G. 6 WAY METAL TRAILER CONNECTOR

- TC1006 (Truck End)
TC2006 (Trailer End)
- Die-cast metal
 - Round pins, split brass formed for positive contact
 - Floating male pins for easy hook-up
 - Cable cover spring (TC2061)

H. - I. 7 WAY PLASTIC TRAILER CONNECTOR

- TC1007P (Truck End)
TC2007P (Trailer End)
- Plastic 7 flat pins (RV-type)
 - Plastic inserts keep out dirt and moisture
 - Built-in safety latch prevents damage from accidental drive-away

J. - K. 7 WAY METAL TRAILER CONNECTOR

- TC1007 (Truck End)
TC2007 (Trailer End)
- Die-cast metal, round pins
 - Self-cleaning pressure contacts
 - Plated contacts for ultimate weather and corrosion protection
 - Built-in safety latch prevents damage from accidental drive-away
 - Stainless steel weather cover spring
 - Color-coded terminals to RVI standards for proper hook-up

L. - M. 7 WAY ZINC TRAILER CONNECTOR

- TC1007Z (Truck End)
TC2007Z (Trailer End)
- Zinc
 - Flat Pins

N. 6 WAY ROUND TO 7 WAY FLAT RV ADAPTER

- Prewired, 8"
- Compares to: Brophy™ # CRR67F & Pollak™ # 12-725EP*

O. 7 WAY FLAT RV TRAILER END WITH 96" PREWIRED CABLE

- 7 Way Wire:
(2) 10 Gauge Wires: Black & White
(1) 12 Gauge Wire: Blue
(4) 14 Gauge Wires: Brown, Green, Red, Yellow
- Terminated to TC2007P molded connector

P. 7 WAY TRAILER CONNECTOR

- Flat Pings
- Plastic housing
- OEM style rear connector
- Built-in connection latch

Q. 7 WAY DUAL-PLUG TRAILER CONNECTOR

- 7 Way flat and 4 flat connections
- Prewired 10", 4 flat & pigtail ends
- Plastic housing
- Built-in connection latch
- RVI color-coded wiring terminals
- Mounting bracket and hardware included

R. 7 WAY DUAL-PLUG TRAILER CONNECTOR

- 7 Way flat and 4 flat connections
- Prewired 8" OEM style rear connector
- Plastic housing D83
- Built-in connection latch
- Mounting bracket and hardware included

Dia. No	Part No.	Description
A	TC1001	1 Way Truck End Trailer Connector, Die-Cast
A	TC1002	2 Way Truck End Trailer Connector, Horizontal Die-Cast
A	TC1012	2 Way Truck End Trailer Connector, Vertical, Die-Cast
B	TC2001	1 Way Trailer End Connector w/ Spring, Die-Cast
B	TC2002	2 Way Trailer End Connector w/ Spring, Horizontal Die-Cast
B	TC2012	2 Way Trailer End Connector w/ Spring, Vertical, Die-Cast
C	TC1004	4 Way Truck End Trailer Connector, Metal (Round)
D	TC2004	4 Way Trailer End Connector, Metal (Round)
E	TC1006	6 Way Truck End Trailer Connector, Metal (Round)
F	TC2006	6 Way Trailer End Connector, Metal (Round)
G	TC2061	6 Way Trailer End Connector, w/ Spring Metal (Round)
H	TC1007P	7 Way Truck End Trailer Connector, Plastic (Flat)
I	TC2007P	7 Way Trailer End Connector, Plastic (Flat)
J	TC1007	7 Way Truck End Trailer Connector, Metal (Round)
K	TC2007	7 Way Trailer End Connector, Metal (Round)
L	TC1007Z	7 Way Truck End Trailer Connector, Zinc (Flat)
M	TC2007Z	7 Way Trailer End Connector, Zinc (Flat)
N	TC1067P	6 Way Round to 7 Pin Flat RV Adapter
O	TC2967P	7 Way Flat RV Trailer End w/ 96" Prewired Cable
P	TC1770P	7 Way Truck Receptacle
P	TC1771P	7 Way Truck Receptacle w/ Twist Lock
Q	TC1474P	7 Way Dual-Plug Trailer Connector, 10" Prewire - 4 Flat
R	TC1774P	7 Way Dual-Plug Trailer Connector, 8" Prewire

Towing and Cargo Control



Trailer Connector Adapters, Brackets, Tail Light Convertors & Accessories

Buyers®



A



B



C



D



E



F



G



H



I



J



K



L



M



N



O



P

Dia. No.	Part No.	Description
A	TC2064P	6 Way Round to 4 Way Round Adapter, Plastic
B	TC2074P	7 Way Flat to 4 Way Flat Adapter, Plastic
C	TC2074T	7 Way Flat to Flat Adapter w/ Dust Cap, Plastic, LED Tester
D	TC2075P	7 Way Flat to 5 Way Round Adapter, Plastic
E	TC2076P	7 Way Flat to 6 Way Round Adapter, Plastic (Center Pin Auxiliary Power)
F	TC2076T	7 Way Flat to 5 Flat Adapter w/ Dust Cap, Built-in Connection Latch, LED Tester
G	TC1077P	7 Way Round to 7 Way Flat, Plastic, Prewired 3' Connection, Built-in Connection Latch
H	TC107	7 Way (Flat) Trailer Connector Bracket, Zinc

Dia. No.	Part No.	Description
I	TC1456	4-5-6 Way Trailer Connector Bracket, Zinc
J	TC1046B	Rubber Boot, Fits 4-5-6 Way Connectors
K	TC1007B	Rubber Boot, Fits 7 Way Connectors
L	TC1242	4 Flat Vehicle Side Replacement Cable w/ Dust Cap, Prewired 48" Cable
M	TC1244	4 Way Flat w/ Cap, 48" Prewired Loop
N	5423203	Heavy-Duty, 6 Amp, 3-2 Solid State Tail Light Converter
O	5422010	Break-Away Switch, Bolt or Weld-On, 48" Plastic Coated High-Strength Cable
P	5422012	Pin & Cable Replacement, for 5422010

Towing & Cargo Control - Hitch Balls & Ball Mounts

HITCH BALLS



Part No.	Finish	Ball Dia.	Shank Dia.	Shank Length	M.G.T.W.
HB1802103	Chrome	1-7/8"	5/8"	1-3/4"	2,000 lbs
HB1802105	Chrome	1-7/8"	3/4"	1-3/4"	2,000 lbs
HB1802108	Chrome	1-7/8"	3/4"	2-1/8"	3,500 lbs
HB1802110	Chrome	1-7/8"	1"	2-1/8"	2,000 lbs
HB1802130	Chrome	2"	3/4"	1-3/4"	3,500 lbs
HB1802134	Chrome	2"	1"	2-1/8"	5,000 lbs
HB1802136	Chrome	2"	1"	2-3/4"	10,000 lbs
HB1802148	Chrome	2"	1-1/4"	2-1/4"	7,500 lbs
HB1802161	Chrome	2-5/16"	1"	2-1/8"	6,000 lbs
HB1802167	Chrome	2-5/16"	1-1/4"	2-1/2"	10,000 lbs

BALL MOUNTS



Type 1



Type 2



Type 3



Type 4



Type 5



Type 6



Type 7

Type	Part No.	Shank	Description	Length	Max Drop	Rise	M.V.L.	M.G.T.W
1	BM1803105	1-1/4"	Straight Ball Mount	7"	2-1/2"	2"	300 lbs	3,500 lbs
1	BM1803110	1-1/4"	Straight Ball Mount	7"	4"	3-1/2"	300 lbs	3,500 lbs
2	BM1803005	2"	Straight Ball Mount	8"	2"	3/4"	750 lbs	7,500 lbs
3	BM1803007	2"	Straight Ball Mount	10"	2"	3/4"	750 lbs	7,500 lbs
3	BM1803009	2"	Straight Ball Mount	13"	4"	2"	750 lbs	7,500 lbs
3	BM1803010	2"	High-Low Ball Mount	8"	4"	2-3/4"	750 lbs	7,500 lbs
4	BM1803013	2"	High-Low Ball Mount	10"	4"	2-3/4"	750 lbs	7,500 lbs
4	BM1803015	2"	Deep Drop Ball Mount	10"	6"	4-3/4"	750 lbs	7,500 lbs
4	BM1803017	2"	Deep Drop Ball Mount	10"	8"	6-3/4"	600 lbs	6,000 lbs
4	BM1803019	2"	Deep Drop Ball Mount (Solid Shank)	10.28"	10-1/4"	9"	600 lbs	6,000 lbs
5	BM1803050	2"	Heavy Duty Solid Ball Mount, 1" Hole	7.63"	2"	3/4"	2,000 lbs	20,000 lbs
5	BM1803051	2"	Heavy Duty Solid Ball Mount, 1-1/4" Hole	7.63"	2"	3/4"	2,000 lbs	20,000 lbs
5	BM1803055	2"	Heavy Duty Solid Ball Mount, 1" Hole	7.88"	4"	2-3/4"	2,000 lbs	20,000 lbs
5	BM1803056	2"	Heavy Duty Solid Ball Mount, 1-1/4" Hole	7.88"	4"	2-3/4"	2,000 lbs	20,000 lbs
5	BM1803058	2"	Heavy Duty Solid Ball Mount, 1" Hole	9.37"	6"	4-3/4"	1,700 lbs	17,000 lbs
5	BM1803059	2"	Heavy Duty Solid Ball Mount, 1-1/4" Hole	9.37"	6"	4-3/4"	1,700 lbs	17,000 lbs
6	BM1803505	2"	Straight Ball Mount (Forged Aluminum)	7-1/4"	2"	1"	1,000 lbs	10,000 lbs
6	BM1803510	2"	Straight Ball Mount (Forged Aluminum)	7-1/4"	3-1/4"	1"	1,000 lbs	10,000 lbs
7	BM1803405	2-1/2"	Straight Ball Mount	10"	3"	1-1/2"	1,200 lbs	12,000 lbs
7	BM1803410	2-1/2"	High-Low Ball Mount	10"	5"	3-1/2"	1,200 lbs	12,000 lbs

ADJUSTABLE BALL MOUNT



Part No.	Shank	Description	Length	Max Drop	Max. Lift	M.V.L.	M.G.T.W
BM1803090	2"	Adjustable Ball Mount, 4-Position	-	11"	9-3/4"	600 lbs	6,000 lbs

SnowDogg® Snow Plows MD & VMD Series

SNOWDOGG® MD SERIES

SnowDogg®



Typical Application:
1/2-Ton, 3/4-Ton, Light-Duty Trucks, & SUV's

FEATURES

- Medium Duty Plow
- Half The Weight Of EX Plows
- Most Trucks Without OEM Plow Prep Packages, Lighter Duty Trucks, And SUV's Can Handle An MD Plow

Ideal For: Small Business Owners And Light Duty Commercial Users

Part No.	Description
PLOW-MD68	SnowDogg™ 6.8 MD Stainless Straight Blade Plow
PLOW-MD75	SnowDogg™ 7.5 MD Stainless Straight Blade Plow
PLOW-MD80	SnowDogg™ 8.0 MD Stainless Straight Blade Plow

SNOWDOGG® VMD SERIES

Typical Application:
Plow Prep, 1-/2-Ton Trucks



FEATURES

- Power Of VXF Series But For Plow Prep 1/2-Ton Trucks
- Flared Wings For Moving & Throwing Snow

Ideal For: Small Business Owners And Light Duty Commercial Users



Part No.	Description
PLOW-VMD75	SnowDogg™ 7.5 VMD Flared Stainless V-Blade Plow

SnowDogg® Snow Plows HD/EX & TE Series

SNOWDOGG® HD/EX SERIES

Typical Application:
Plow Prep. 3/4-Ton, 1-Ton, & Super Duty Trucks

FEATURES

- Simple And Reliable Operation
- Every Feature Has Been Optimized
- SnowDogg® HD/EX Plow Wings Are The Perfect Accessory To Add A Full 24" To Your Plowing Width

Ideal For: Commercial Users Who Rely On Their Equipment To Get The Job Done



Shown With Optional Plow Wings

Part No.	Description
PLOW-HD75	SnowDogg™ 7.5 HD Stainless Straight Blade Plow
PLOW-HD80	SnowDogg™ 8.0 HD Stainless Straight Blade Plow
PLOW-EX75	SnowDogg™ 7.5 EX Stainless Straight Blade Plow
PLOW-EX80	SnowDogg™ 8.0 EX Stainless Straight Blade Plow
PLOW-EX85	SnowDogg™ 8.5 EX Stainless Straight Blade Plow
PLOW-EX90	SnowDogg™ 9.0 EX Stainless Straight Blade Plow

Plow Wing (Optional)

Part No.	Description
16021510	HD Plow Wings
16021610	EX Plow Wings

SNOWDOGG® TE SERIES



Typical Application:
Plow Prep. 3/4-Ton, 1-Ton & Super Duty Trucks

FEATURES

- Best Of The HD/EX Series Brought To A Reliable Trip Edge Design
- Deflectors, Shoes And A Heavy-Duty Cutting Edge Included As Standard Items
- Trip Edge Mechanism Keeps The Snow In Front Of Your Plow
- Smooth Tripping Action

Ideal For: Commercial Users Who Prefer The Smooth Operation Of A Trip Edge Plow

Part No.	Description
PLOW-TE75	SnowDogg™ 7.5 TE Stainless Straight Blade Plow
PLOW-TE80	SnowDogg™ 8.0 TE Stainless Straight Blade Plow
PLOW-TE90	SnowDogg™ 9.0 TE Stainless Straight Blade Plow

SnowDogg® Snow Plows VXF, XP & CM Series

SnowDogg®

SNOWDOGG® VXF SERIES

Typical Application:
3/4-Ton And Larger Trucks



FEATURES

- Takes The Toughness And Reliability Of The EX Series & Puts It In A V-Plow
- Regenerative Hydraulics Give You The Speed You Want
- Double Acting Cylinders Mean REAL Back Dragging Is Standard
- The Trip Edge Mechanism Ensures Smooth Operation

Ideal For: Commercial Users Who Want The Power And Flexibility Of A V-Plow. Flared Wings For Moving And Throwing Snow.



Part No.	Description
PLOW-VXF85	SnowDogg™ 8.5 VXF Flared Stainless V-Blade Plow
PLOW-VXF95	SnowDogg™ 9.5 VXF Flared Stainless V-Blade Plow

SNOWDOGG® XP SERIES

Typical Application:
3/4-Ton And Larger Trucks



FEATURES

- Hydraulically Expanding Wings Add A Full 24" To Your Plowing Width
- Wings Allow You To Adjust Your Width On The Fly

Ideal For: Commercial Users Who Rely On Their Equipment To Get The Job Done



Part No.	Description
PLOW-XP810	SnowDogg™ 8.0-10.0 Expandable Stainless Straight Blade Plow

SNOWDOGG® CM SERIES

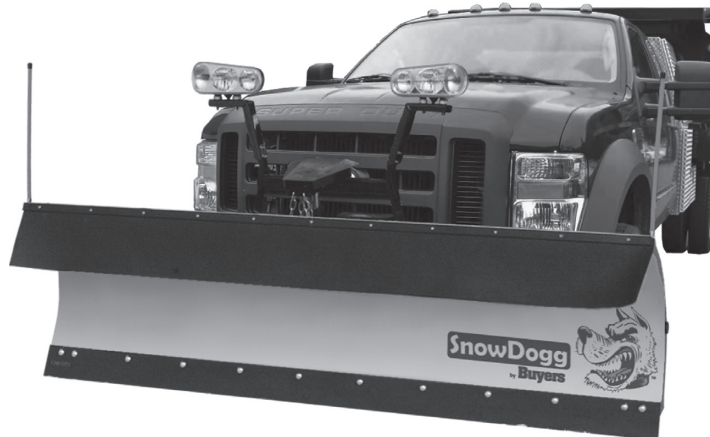
Typical Application:
10, 000 - 29, 000 GVWR



FEATURES

- Heavy-Duty Plow In A Commercial Duty Package
- 6 Trip Springs
- Tough Quadrant/Sector Configuration

Ideal For: Commercial Users And Municipal Applications



Part No.	Description
PLOW-CM100	SnowDogg™ 10.0 CM Stainless Straight Blade Plow

SnowDogg® Snow Plow Specifications

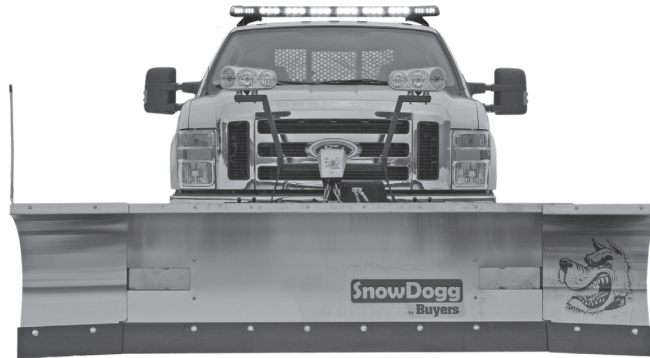
SnowDogg®



VXF Plow



MD Plow



XP Plow

Part No.	Width	Blade Height	Material	Thick-ness	Angle Cylinders	Lift Cylinder	Kingpin Size	Width At Angle	Ribs	Springs	Trip Style	Cutting Edge	Deflector	Shoes
PLOW-MD68	80"	24"	Stainless	.075"	1-1/2" X 10"	1-1/2" X 6"	1"	69.2"	6	2	Full	3/8" X 6"	Standard	Cast
PLOW-MD75	90"	24"	Stainless	.075"	1-1/2" X 10"	1-1/2" X 6"	1"	78"	8	2	Full	3/8" X 6"	Standard	Cast
PLOW-MD80	96"	24"	Stainless	.075"	1-1/2" X 10"	1-1/2" X 6"	1"	83"	10	2	Full	1/2" X 6"	Standard	Cast
PLOW-VMD75	90"	26"/33"	Stainless	.075"	1-1/2" X 1-3/4" X 12"	1-1/2" X 6"	1"	78"	6	4	Edge	3/8" X 6"	Standard	Optional
PLOW-HD75	90"	29"	Stainless	.105"	1-1/2" X 12"	2" X 6"	1-1/8"	78"	9	4	Full	3/8" X 6"	Standard	Cast
PLOW-HD80	96"	29"	Stainless	.105"	1-1/2" X 12"	2" X 6"	1-1/8"	83"	9	4	Full	3/8" X 6"	Standard	Cast
PLOW-EX75	90"	31"	Stainless	.105"	1-1/2" X 12"	2" X 6"	1-1/8"	78"	9	4	Full	1/2" X 6"	Standard	Cast
PLOW-EX80	96"	31"	Stainless	.105"	1-1/2" X 12"	2" X 6"	1-1/8"	83"	9	4	Full	1/2" X 6"	Standard	Cast
PLOW-EX85	102"	31"	Stainless	.105"	1-1/2" X 12"	2" X 6"	1-1/8"	88.3"	9	4	Full	1/2" X 6"	Standard	Cast
PLOW-EX90	108"	31"	Stainless	.105"	1-1/2" X 12"	2" X 6"	1-1/8"	93.5"	9	4	Full	1/2" X 6"	Standard	Cast
PLOW-TE75	90"	31"	Stainless	.105"	1-1/2" X 12"	2" X 6"	1-1/8"	78"	8	4	Edge	1/2" X 6"	Standard	Cast
PLOW-TE80	96"	31"	Stainless	.105"	1-1/2" X 12"	2" X 6"	1-1/8"	83"	8	4	Edge	1/2" X 6"	Standard	Cast
PLOW-TE90	108"	31"	Stainless	.105"	1-1/2" X 12"	2" X 6"	1-1/8"	94"	8	4	Edge	1/2" X 6"	Standard	Cast
PLOW-VXF85	102"	29"/37"	Stainless	.105"	1-1/2" X 1-3/4" X 12"	2" X 6"	1"	88"	8	4	Edge	1/2" X 6"	Standard	Optional
PLOW-VXF95	114"	29"/37"	Stainless	.105"	1-1/2" X 1-3/4" X 12"	2" X 6"	1"	99"	8	4	Edge	1/2" X 6"	Standard	Optional
PLOW-XP810	96"-120"	29"	Stainless	.105"	1-1/2" X 12"	2" X 6"	1-1/8"	104"	9	4	Full	1/2" X 6"	Standard	Cast
PLOW-CM100	120"	31"	Stainless	.105"	2" X 12"	2" X 6"	1-1/8"	104"	10*	6	Full	5/8" X 6"	Standard	Cast

* (2) Are Diagonal

Meyer® Snow Plow Specifications

Totally Redesigned, Totally Reinvented.

Reinvention starts with a renewed interest in listening to end-users. And it leads to features that make your job easier, like hands-free plowing, rugged design, and America's best warranty. Find these new features and more in today's totally redesigned, totally reinvented Meyer®.

The Only Plows with a 5-Year Warranty

Plow as long as you want knowing your plow's covered for a full 5 years*.

It's the longest and strongest warranty in the industry.

*Requires Meyer® online registration to receive 5-year coverage.



Meyer®



MEYER® DRIVE PRO™

Drive Pro™ Product Specifications

Plow	Mounting Type	Blade Type	Moldboard length	Moldboard Height	Moldboard Gauge	Vertical Ribs	Plow Trip Springs	Cutting Edge	Avg. Width @ Full Angle	Angling Rams
6.8 Steel Drive Pro	Plus	Full-Trip	6' 8"	22.5"	14 Steel	6	2	3/8" X 6"	72"	1-1/2 X 10"

MEYER® LOT PRO™

Lot Pro™ Product Specifications

Plow	Mounting Type	Blade Type	Moldboard length	Moldboard Height	Moldboard Gauge	Vertical Ribs	Plow Trip Springs	Cutting Edge	Avg. Width @ Full Angle	Angling Rams
7.5 Steel Light Duty Lot Pro	Plus	Full-Trip	7' 6"	26"	14 Steel	6	2	3/8" X 6"	81"	1-1/2 X 10"
7.5 Steel Lot Pro	Plus	Full-Trip	7' 6"	32"	12 Steel	6	4	1/2" X 6"	81"	1-1/2 X 10"
7.5 Poly Lot Pro	Plus	Full-Trip	7' 6"	32"	3/8" Poly	6	4	1/2" X 6"	81"	1-1/2 X 10"
8.0 Steel Lot Pro	Plus	Full-Trip	8' 0"	32"	12 Steel	6	4	1/2" X 6"	86"	1-1/2 X 10"
8.0 Poly Lot Pro	Plus	Full-Trip	8' 0"	32"	3/8" Poly	6	4	1/2" X 6"	86"	1-1/2 X 10"
8.5 Steel Lot Pro	Plus	Full-Trip	8' 6"	32"	12 Steel	6	4	1/2" X 6"	92"	1-1/2 X 10"
8.5 Poly Lot Pro	Plus	Full-Trip	8' 6"	32"	3/8" Poly	6	4	1/2" X 6"	92"	1-1/2 X 10"
9.0 Steel Lot Pro	Plus	Full-Trip	9' 0"	32"	12 Steel	6	4	1/2" X 6"	97"	1-1/2 X 10"
9.0 Poly Lot pro	Plus	Full-Trip	9' 0"	32"	3/8" Poly	6	4	1/2" X 6"	97"	1-1/2 X 10"

MEYER® SUPER - V2™

Super - V2™ Product Specifications

Plow	Mounting Type	Blade Type	Moldboard length	Moldboard Height	Moldboard Gauge	Vertical Ribs	Plow Trip Springs	Cutting Edge	Avg. Width @ Full Angle	Angling Rams
8.5 Steel Super-V2	Plus	Bottom-Trip	8' 6"	29.5" - 38.25"	12 Steel	4 Per Wing	2 Per Wing	1/2" X 6"	88"	1-1/2" X 12"
9.5 Steel Super-V2	Plus	Bottom-Trip	9' 6"	29.5" - 39.25"	12 Steel	4 Per Wing	2 Per Wing	1/2" X 6"	99"	1-1/2" X 12"

Meyer® Snow Plows Drive Pro, Lot Pro & Super V2 Series

MEYER® DRIVE PRO™ COMPLETE PLOWS

SOMETIMES, IT PAYS TO BE SMALL

Drive Pro™ is a rugged and easy-to-use snowplow ideal for tight residential areas or long driveways. Made for 1/2-ton or light pick-up trucks and SUV's, residential contractors will appreciate increased maneuverability in snowy conditions and not having to compromise on quality construction.



Part No.	Description
PLOW-MDP6.8	Meyer Steel 6.8 Drive Pro w/Plus Series Mounting System

MEYER® LOT PRO™ COMPLETE PLOWS

BETTER RESULTS IN LESS TIME

For contractors who take pride in a finished lot that looks like summertime, the Lot Pro™ features the tallest and most aggressive contractor-class moldboard on the market. Thirty-two inches tall with a 75 Deg attack angle, Lot Pros deliver better overall snow clearing performance in less time. And the aggressive attack angle allows for superior back-dragging performance.



Part No.	Description
PLOW-MLPLD7.5	Meyer Steel 7.5 Light Duty Lot Pro w/Plus Series Mounting System
PLOW-MLP7.5	Meyer Steel 7.5 Lot Pro w/Plus Series Mounting System
PLOW-MLPP7.5	Meyer Poly 7.5 Lot Pro w/Plus Series Mounting System
PLOW-MLP8.0	Meyer Steel 8.0 Lot Pro w/Plus Series Mounting System
PLOW-MLPP8.0	Meyer Poly 8.0 Lot Pro w/Plus Series Mounting System
PLOW-MLP8.5	Meyer Steel 8.5 Lot Pro w/Plus Series Mounting System
PLOW-MLPP8.5	Meyer Poly 8.5 Lot Pro w/Plus Series Mounting System
PLOW-MLP9.0	Meyer Steel 9.0 Lot Pro w/Plus Series Mounting System
PLOW-MLPP9.0	Meyer Poly 9.0 Lot Pro w/Plus Series Mounting System

MEYER® SUPER - V2™ COMPLETE PLOWS

VERSATILITY AT THE TOUCH OF A BUTTON

Meyer Products' second generation Super-V multi-position plow, the Super-V2, offers aggressive styling and incredible plowing performance. This V plow has a 70 Deg attack angle and a tapered steel blade. The Super-V2 provides excellent snow rolling and throwing action similar to that of a highway plow.



Part No.	Mounting Type
PLOW-MSV2-8.5	Meyer Steel 8.5 Super V2 w/Plus Series Mounting System
PLOW-MSV2-9.5	Meyer Steel 9.5 Super V2 w/Plus Series Mounting System

* Professional Parts Warehouse has agreed to honor Manufacturers MAPP Pricing Policy



The Only Plows with a 5-Year Warranty

Plow as long as you want knowing your plow's covered for a full 5 years*. It's the longest and strongest warranty in the industry.

*Requires Meyer® online registration to receive 5-year coverage.

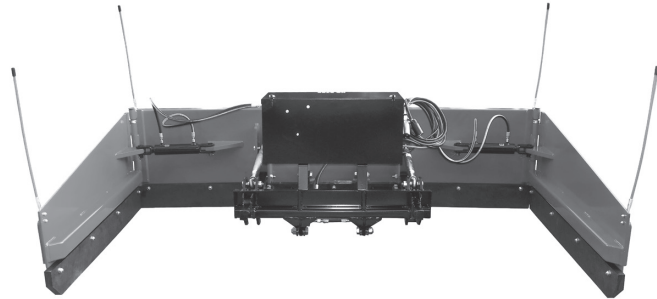
Short Iron Back Blades



HYDRAULIC WINGED BACK-BLADE

SHORT IRON

**SHORTIRON
BACKBLADES**

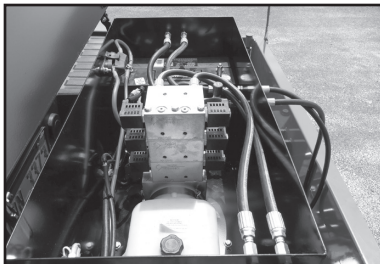


- Plowing with a Short Iron Back-Blade saves \$\$\$ by reducing plowing time.
- Comes standard with Poly Cutting Edges
- Uses 6,000psi Hoses
- Universal Hitch Mounting System
- Employs (2) lifting cylinders for a smoother performance and quicker response time.



Part No.	Blade Height	Blade Width (Closed)	Blade Width (Open)	Attachment System	Moldboard Cutting Edges	Wing Cutting Edges
SB12	24"	102" / 8.6 Ft	144" / 12 Ft	2-Pin	1-1/4" X 6" Poly	1-1/4" X 6" Poly
SB14	24"	102" / 8.6 Ft	168" / 14 Ft	2-Pin	1-1/4" X 6" Poly	1-1/4" X 6" Poly
SB16	24"	102" / 8.6 Ft	192" / 16 Ft	2-Pin	1-1/4" X 6" Poly	1-1/4" X 6" Poly

Fully Enclosed Pump Box



Comes standard with a Fully Enclosed Pump Box, extending pump life by keeping it out of the elements. Hydraulic Wing Back-Blades come with a battery and (2) 200 amp inline fuses.

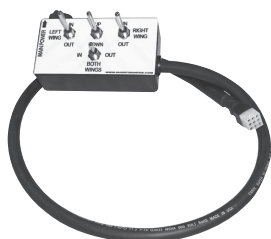
Universal Hitch Mount



* See page 17 for Vehicle Fitment Guide

Universal Hitch Mount allows for easy Back-Blade transfers from one vehicle to the next, making fleet applications more cost effective (Req Added Mount for Transfers). Uses a 2-Pin attachment system for easier & faster hook up.

Toggle Control System



Four Toggle Control System

- Up/Down
- Left Wing - In/Out
- Right Wing - In/Out
- Both Wings - In/Out

HYDRAULIC WINGED BACK-BLADE

**SHORTIRON
BACKBLADES**



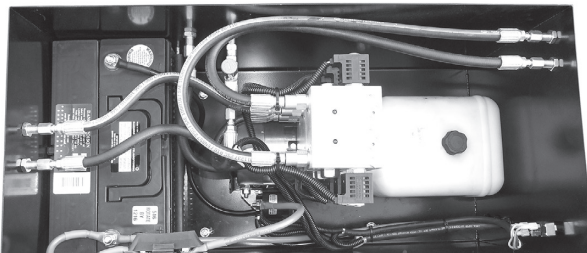
SHORT IRON

- Plowing with a Short Iron Back-Blade saves \$\$\$ by reducing plowing time.
- Comes standard with Poly Cutting Edges
- Uses 6,000psi Hoses
- Universal Hitch Mounting System
- Employs (2) lifting cylinders for a smoother performance and quicker response time.



Part No.	Blade Height Overall	Blade Width	Fixed Wing Length	Attachment System	Moldboard Cutting Edges	Wing Cutting Edges
BB7.0	24"	84" / 7 Ft	24"	2-Pin	1-1/4" X 6" Pol	1-1/4" X 6" Pol
BB7.6	24"	90" / 7.6 Ft	24"	2-Pin	1-1/4" X 6" Pol	1-1/4" X 6" Pol
BB8.0	24"	96" / 8 Ft	24"	2-Pin	1-1/4" X 6" Pol	1-1/4" X 6" Pol
BB8.6	24"	102" / 8.6 Ft	24"	2-Pin	1-1/4" X 6" Pol	1-1/4" X 6" Pol

Fully Enclosed Pump Box



Comes standard with a Fully Enclosed Pump Box, extending pump life by keeping it out of the elements.

Universal Hitch Mount



* See page 17 for Vehicle Fitment Guide

Universal Hitch Mount allows for easy Back-Blade transfers from one vehicle to the next, making fleet applications more cost effective (Requires Added Mount). Uses a 2-Pin attachment system for easier & faster hook up.

Toggle Control System



Toggle Control System

- Up/Down

Short Iron Back Blades

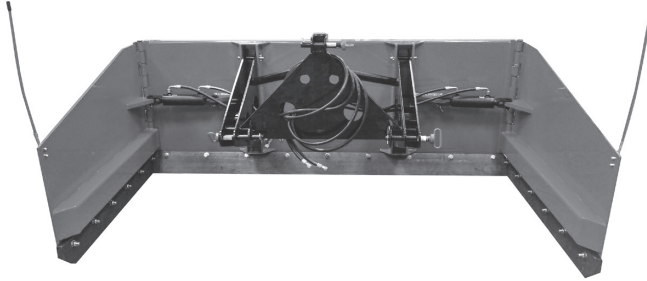
NEW PRODUCT

TRACTOR HYDRAULIC WINGED BACK-BLADE

**SHORTIRON
BACKBLADES**

**2 Year
LIMITED
WARRANTY**

SHORT IRON



- Comes standard with 3/4" thick main blade Steel cutting edge, and 1-1/4" thick Poly cutting edges on wings.
- Uses 5,000psi Hoses.
- Control use the 3-point and auxiliary hydraulic controls on the tractor.
- Two remote valves are needed on back of tractor for independent wing control
- 4 quick connects required for hydraulic attachment (Tractor Specific)

Part No.	Blade Height Overall	Blade Width (Closed)	Blade Width (Open)	Moldboard Cutting Edges	Wing Cutting Edges	Vehicle Application	3-Point Attachment System
TSB16	36" / 3 Ft.	102" / 8.6 Ft.	192" / 16 Ft.	3/4" X 6" Steel	1-1/4" X 6" Poly	75 HP and Up	Cat. II,III
TSB18	36" / 3 Ft.	102" / 8.6 Ft.	216" / 18 Ft.	3/4" X 6" Steel	1-1/4" X 6" Poly	75 HP and Up	Cat. II,III

**BEING VISIBLE IS IMPORTANT IN ALL
TYPES OF WEATHER & WE'VE
GOT YOU COVERED!**



NEW PRODUCT

High Visibility clothing sold on pages 2 & 3

SHIRTS

SWEATSHIRTS

VESTS

JACKETS

PANTS

HYDRAULIC WINGED BACK-BLADE FITMENT GUIDE

**SHORTIRON
BACKBLADES**



SHORT IRON



Hydraulic Winged Back-Blade
Sizes: 12Ft. - 14 Ft. - 16 Ft.



Sizes: 7Ft. - 7.6Ft. - 8Ft. - 8.6Ft.

NOTE: Some Drilling May Be Required

Chevrolet

	BB7.0	BB7.6	BB8.0	BB8.6	SB12	SB14	SB16
1/2 Ton 1999 - 2006 2007 - Classic	X	X	N/A	N/A	N/A	N/A	N/A
3/4 Ton 1999 - 2016 Long/Short Bed	X	X	X	X	X	X	X
1 Ton 1999 - 2016 Long/Short Bed	X	X	X	X	X	X	X

Ford

	BB7.0	BB7.6	BB8.0	BB8.6	SB12	SB14	SB16
3/4 Ton 1997 Long Bed 1999 - 2016 Long/Short Bed	X	X	X	X	X	X	X
1 Ton 1997 Long Bed 1999 - 2016 Long/Short Bed	X	X	X	X	X	X	X

WESTERN® Snow Plow Specifications

GET READY FOR WINTER!



WESTERN® has a full line of snowplows ready to take on winter's worst.

Looking for a straight blade plow, WESTERN® has you covered. Choose from the MIDWEIGHT®, PRO-PLOW® or PRO-PLUS® series plows.

Need a V-plow to attack that snowy lot, check out the MVP PLUS™ V-Plow or the versatile WIDE-OUT™ expandable wing multi-position snowplow.

WESTERN®

WESTERN® MIDWEIGHT™ PLOWS

WESTERN® Product Specifications

Plow	Material	Blade Wide	Blade Height	Blade Gauge	Trip Springs	Vertical Ribs	Angling Rams	Plow Width (Full Angle)	Disc Shoes	Cutting Edge
7.5 MIDWEIGHT™ Plow	Steel	7' 6"	27"	14	2	6	1-1/2" X 10"	6' 6"	Optional	3/8" X 6"
7.5 MIDWEIGHT™ Plow	Poly	7' 6"	27"	1/4" Poly	2	6	1-1/2" X 10"	6' 6"	Optional	3/8" X 6"

WESTERN® PRO-PLOW® SERIES 2 PLOWS

WESTERN® Product Specifications

Plow	Material	Blade Wide	Blade Height	Blade Gauge	Trip Springs	Shock Absorbers	Vertical Ribs	Angling Rams	Plow Width (Full Angle)	Disc Shoes	Cutting Edge
7.5 Pro-Plow® Series 2 Plow	Steel	7' 6"	29"	11	4	1	7	1-1/2" X 10"	6' 6"	Cast Iron	3/8" X 6"
7.5 Pro-Plow® Series 2 Plow	Poly	7' 6"	29"	3/8" Poly	4	1	7	1-1/2" X 10"	6' 6"	Cast Iron	3/8" X 6"
8.0 Pro-Plow® Series 2 Plow	Steel	8' 0"	29"	11	4	1	7	1-1/2" X 10"	6' 11"	Cast Iron	3/8" X 6"
8.0 Pro-Plow® Series 2 Plow	Poly	8' 0"	29"	3/8" Poly	4	1	7	1-1/2" X 10"	6' 11"	Cast Iron	3/8" X 6"
8.5 Pro-Plow® Series 2 Plow	Steel	8' 6"	29"	11	4	1	7	1-1/2" X 10"	7' 4"	Cast Iron	3/8" X 6"

WESTERN® PRO-PLUS® SERIES 2 PLOWS

WESTERN® Product Specifications

Plow	Material	Blade Wide	Blade Height	Blade Gauge	Trip Springs	Shock Absorbers	Vertical Ribs	Angling Rams	Plow Width (Full Angle)	Disc Shoes	Cutting Edge
8.0 Pro-Plus® Series 2 Plow	Steel	8' 0"	31-1/2"	12	4	2	8	1-1/2" X 12"	6' 11"	Cast Iron	1/2" X 6"
8.5 Pro-Plus® Series 2 Plow	Steel	8' 6"	31-1/2"	12	4	2	8	1-1/2" X 12"	7' 4"	Cast Iron	1/2" X 6"
9.0 Pro-Plus® Series 2 Plow	Steel	9' 0"	31-1/2"	12	4	2	8	1-1/2" X 12"	7' 9"	Cast Iron	1/2" X 6"

WESTERN® MVP PLUS® SERIES 2 PLOWS

WESTERN® Product Specifications

Plow	Material	Blade Wide	Blade Height	Blade Gauge	Trip Springs	Vertical Ribs	Angling Rams	Plow Width (Full Angle)	Disc Shoes	Cutting Edge	Cutting Edge
8.5 MVP PLUS™ Series 2 Plow	Steel	8' 6"	29"	14	4	8	1-3/4" X 11"	7' 5"	Optional	3/8" X 6"	3/8" X 6"
8.5 MVP PLUS™ Series 2 Plow	Poly	8' 6"	29"	1/4" Poly	4	8	1-3/4" X 11"	7' 5"	Optional	3/8" X 6"	3/8" X 6"
9.5 MVP PLUS™ Series 2 Plow	Steel	9' 6"	29"	14	6	8	1-3/4" X 11"	8' 3"	Optional	1/2" X 6"	3/8" X 6"
9.5 MVP PLUS™ Series 2 Plow	Poly	9' 6"	29"	1/4" Poly	6	8	1-3/4" X 11"	8' 3"	Optional	1/2" X 6"	3/8" X 6"

WESTERN® WIDE-OUT™ PLOW

WESTERN® Product Specifications

Plow	Material	Blade Wide	Blade Height	Blade Gauge	Trip Springs	Vertical Ribs	Angling Rams	Plow Width (Full Angle)	Disc Shoes	Cutting Edge
8.0 - 10.0 WIDE-OUT™ Series 2 Plow	Steel	8' Retracted 10' Expanded 8- 10" Scoop	29"	12	4	6	1-1/2" X 10	7' 2" Retracted 9' Expanded 7' 11" Scoop	Optional	1/2" X 6" Blade 1-1/2" X 8" Poly Wing

WESTERN® Snow Plows

Mid-Weight™, Pro, Pro Plus®, MVP Plus™, & Wide-Out™ Series

WESTERN® MIDWEIGHT™ COMPLETE PLOWS

BUILT FOR LIGHT COMMERCIAL USE

When winter's coming on strong, you need a plow that's going to give you some real pushback. The WESTERN® MIDWEIGHT™ snow plow is lean, nimble and provides plenty of muscle. Big performance for light commercial use.

Part No.	Description
PLOW-MW7.5UT2	WESTERN® Steel 7.5 MIDWEIGHT™ UltraMount™ System
PLOW-MWPY7.5UT2	WESTERN® Poly 7.5 MIDWEIGHT™ UltraMount™ System



WESTERN® PRO-PLOW® COMPLETE PLOWS

STAKE YOUR REPUTATION ON IT

When it comes to your business, taking care of the customers is what it's all about. Designed for the pros, the WESTERN® PRO-PLOW® has been one of the best-selling straight-blade models for snow plow contractors since its introduction. When they're counting on you, you can count on the PRO-PLOW®.

Plow	Description
PLOW-WP7.5UT2	WESTERN® Steel 7.5 PRO-PLOW® UltraMount™ System
PLOW-WP7.5PYUT2	WESTERN® Poly 7.5 PRO-PLOW® UltraMount™ System
PLOW-WP8.0UT2	WESTERN® Steel 8.0 PRO-PLOW® UltraMount™ System
PLOW-WP8.0PYUT2	WESTERN® Poly 8.0 PRO-PLOW® UltraMount™ System
PLOW-WP8.5UT2	WESTERN® Steel 7.5 PRO-PLOW® UltraMount™ System



WESTERN® PRO PLUS® COMPLETE PLOWS

FOR HEAVY-DUTY COMMERCIAL AND LIGHT MUNICIPAL APPLICATIONS

Going half way has never been your style. With the WESTERN® PRO PLUS®, there's no holding back. It's rugged, tough and built to take even the most punishing applications. The PRO PLUS® - go all the way.

Plow	Mounting Type
PLOW-WPP8.0UT2	WESTERN® Steel 8.0 PRO PLUS® UltraMount™ System
PLOW-WPP8.5UT2	WESTERN® Steel 8.5 PRO PLUS® UltraMount™ System
PLOW-WPP9.0UT2	WESTERN® Steel 9.0 PRO PLUS® UltraMount™ System

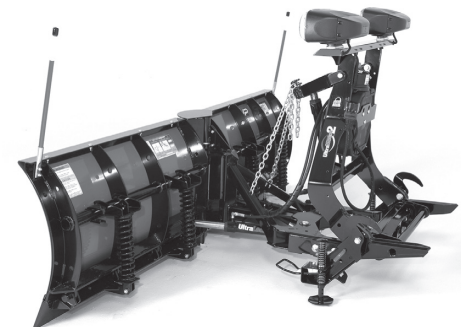


WESTERN® MVP PLUS™ COMPLETE PLOWS

PUSH MORE SNOW IN LESS TIME

When it's 5:00 a.m. and you've still got three more lots to plow, you'll appreciate the speed and efficiency of an MVP PLUS™.

Plow	Mounting Type
PLOW-MVP8.5PLUS UT2	WESTERN® Steel 8.5 MVP PLUS™ UltraMount™ Sys.
PLOW-MVPLY8.5PLUS UT2	WESTERN® Poly 8.5 MVP PLUS™ UltraMount™ Sys.
PLOW-MVP9.5PLUS UT2	WESTERN® Steel 9.5 MVP PLUS™ UltraMount™ Sys.
PLOW-MVPLY9.5PLUS UT2	WESTERN® Poly 9.5 MVP PLUS™ UltraMount™ Sys.

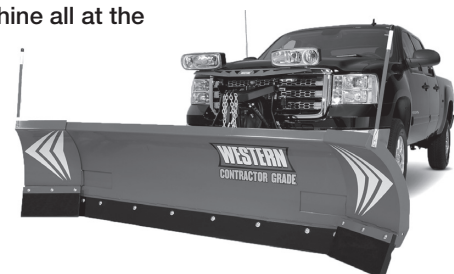


WESTERN® WIDE-OUT™

THERE'S A REASON IT'S UP TO 30% MORE EFFICIENT

Get an 8' blade, a 10' blade, an 8' 10" scoop/pusher blade or a windrowing machine all at the touch of a button. The WESTERN® WIDE-OUT™ adjustable-wing snow plow hydraulically transforms to move more snow, no matter what the condition. Up to 30% more. It's the ultimate in CONTRACTOR GRADE® performance.

Plow	Mounting Type
PLOW-WWO810 UT2	WESTERN® Steel 8.0 to 10.0 WIDE-OUT w/ Ultra Mount Sys.



* Professional Parts Warehouse has agreed to honor Manufacturers MAPP Pricing Policy

Spreaders Drop & ATV

SaltDogg® Drop Spreader

SALDOGG® WALK BEHIND SPREADER



- 44" Wide
- Frame Construction - Steel / Stainless Steel Trough
- Capacity - 2.5 cu ft. / 200 lbs.
- Weight - 67 lbs.
- Spinner - Drop Spreader
- Spread Width - 28"
- Control - Manual Lever
- Includes hopper screen and rain cover

Part No. Description

DS400 Drop Spreader

Ideal Use	Commercial / Residential
Frame Construction	Steel / Stainless Steel trough
Capacity	2.5 cu. Ft. / 200 lb.
Dim. (H X W X D)	35" X 44" X 45"
Weight	67 lbs.
Spinner	Drop Spreader
Spread Width	28"
Control	Manual Lever

ATV SPREADER

- 15 Gallon capacity
- Quick detachable mounting bracket
- Spread width 25 ft - 30 ft
- Adjustable shut-off gate
- 8-1/2 ft power cable w/ ON/OFF switch
- 12 VDC, 5 AMP
- Spreads dry free flowing materials

Part No. Description

ATVS15A ATV Spreader



MEYER® PROFESSIONAL GRADE BROADCAST SPREADERS



1-M38170

- Rust proof polypropylene components for superior strength, flexibility and cold impact resistance
- 10" diameter pneumatic tires reduce push effort even in snow and slush
- Rust proof composite rim protects against rain and salt
- Heavy-duty gear cover with quick disassembly allows easy servicing
- Large, heavy-duty, adjustable gears made from Nylatron GS for superior wear and strength
- Axle and wheel bearings provide self-lubrication with excellent wear and load carrying performance
- Tough, durable powder coat withstands the harshest of conditions
- 1.3 cubic ft., 70 lb. capacity of salt, sand seed or other free-flowing materials



1-M38115

- Economical base line spreader
- Rust proof poly hopper and spread plate
- 85 lb. capacity with 10 ft. spread width
- Pneumatic tires make it easy to push over snow covered pavement
- Hopper cover ideal for keeping material dry

Part No.	Description
1-M38170	OEM - Hotshot Walk Behind Spreader Model 70 RD
1-M38115	OEM - Hotshot Walk Behind Spreader Model 85

BUYERS® PROFESSIONAL GRADE



- Large 13" pneumatic tires make pushing through slush and ice a breeze
- Large flow regulator on handle offers ease of operation with gloves
- Ergonomic variable height handle
- Solid control linkage eliminates sticking and stretched cables
- 3-flap adjustable poly deflector controls spread pattern (ideal for sidewalks, near sensitive foliage, etc.)
- Rust proof polymer hopper screen helps prevent material jamming
- Includes a durable plastic rain cover to protect from moisture and spillage
- Heavy-duty sealed gearbox protects gears from the elements
- Net Wt. 35 lbs.
- Large 1.5 Cubic Ft Polymer Hopper
- Capacity: 100 lbs of salt, sand, seed or other free-flowing materials

Part No.	Description
SW1S	Walk Behind Carbon Steel Frame
SW2SS	Walk Behind Stainless Steel Frame

Spreaders Tailgate

BOSS® & Meyer®

BOSS® "MINI" SPREADERS

Features:

- Low profile poly hopper
- Solid poly cover
- Adjustable poly material deflector
- 12 poly spinner
- Enclosed high-torque 12v motor
- Adjustable feed gate
- Fits into any Class IV receiver hitch
- Variable speed controller with blast feature
- Designed to spread: dry, free flowing material (salt, deicers, etc.)

Mounting options shown here are required for mounting of BOSS® spreader to vehicle. Mount box contains controller.

Part No.	Description
1-TGS10950	BOSS® TGS Receiver Hitch Mount
1-TGS10955	BOSS® TGS RT3 Mount

TGS 600 Series

6 Cubic Ft - Approx. 400 lb Capacity
For 1/2, 3/4 and 1 Ton Trucks



Part No.	Description
1-TGS6000	BOSS® 6 Cubic Ft Mini Tailgate Spreader

TGS 1100 Series

11 Cubic Ft - Approx. 800 lb Capacity
For 3/4 and 1 Ton Trucks



Part No.	Description
1-TGS1100	BOSS® 11 Cubic Ft Mini Tailgate Spreader

MEYER® TAILGATE SPREADERS - BL-240/BL-400

Features:

- Polyethylene hopper, carbon steel frame
- 1/8 HP direct drive motor
- Attach to any SUV, light pick-up, tractor or utility vehicle with a 2" receiver hitch
- Standard Hi/Lo/Off controller
- Spread width up to 25 feet
- Integrated storage stand and motor guard
- Designed to spread: bagged rock salt

240 Series

2.8 Cubic Ft - Approx. 240 lb Capacity
For Class 1, SUV, Light Truck, 3/4 or 1 Ton Trucks
and Utility Vehicles



Part No.	Description
1-M31100	Meyer® 2.8 Cubic Ft Tailgate Spreader

400 Series

5.75 Cubic Ft - Approx. 400 lb Capacity
For Class 1, SUV, Light Truck, 3/4 or 1 Ton Trucks
and Utility Vehicles



Part No.	Description
1-M36100	Meyer® 5.75 Cubic Ft Tailgate Spreader

Spreaders Tailgate

SaltDoggy®



TGSUV1B

- Manual open/close gate w/ gravity feed
- Folds away for easy access to tailgate

Compares to:
Boss® TGS600, Meyer® Mini JR,
Western® 500, SnowEx® SP-575

TGSUVPROA

- Gravity feed with vertical 12 VDC auger assist
- Pre-wired for optional vibrator kit (3008241)

Compares to:
Boss® TGS600, Meyer® Mini JR,
Western® 500, SnowEx® SP-575

TGS01B

- Gravity feed with vertical 12 VDC auger assist
- Pre-wired for optional vibrator kit (3008241)

Compares to: Blaster 350,
Meyers® BL-240

TGS02

- Horizontal auger feed
- Adjustable spinner shroud

Compares to: SnowEx®
SP-125/SP-225

Part No.	Description
TGSUV1B	SUV Tailgate Spreader 4.41 Cu. Ft.
TGSUVPROA	SUV, 3/4 & 1 Ton Tailgate Spreader 4.41 Cu Ft.

Part No.	Description
TGS01B	Tailgate Spreader 8.0 Cu. Ft.
TGS02	Tailgate Spreader 3.0 Cu. Ft.

	TGSUV1B	TGSUVPROA	TGS01B	TGS02
IDEAL USE	Residential	Residential / Light Commercial	Commercial	Residential/ Light Commercial
CONSTRUCTION	Polyethylene / Steel	Polyethylene / Steel	Polyethylene / Steel	Polyethylene / Steel
CAPACITY	4.41 cu ft / 331 lbs	4.41 cu ft / 331 lbs	8.0 cu ft / 602 lbs	3.0 cu ft / 225 lbs
MATERIAL	#1 Rock Salt or Similar	#1 Rock Salt or Similar	#1 Rock Salt or Similar	Ice Melt or Bag Salt
DIMENSIONS (H X W X L)	40.5" X 22.5" X 20.5"	40.5" X 22.5" X 20.5"	45.7" X 29.7" X 30.3"	32" x 30" x 22"
WEIGHT	68 lbs (30.8 kg)	74 lbs (33.6 kg)	135 lbs (61.2 kg)	64lbs (29 kg)
FEED MECHANISM	Manual Open / Close Gate w/ Gravity"	Gravity Feed w/ Internal Auger Assist	Gravity Feed w/ Internal Auger Assist	Horizontal Auger Feed
MOTOR	12 VDC	12 VDC	12 VDC	12 VDC, 45 Amps Dual Shaft Gear Motor
SPINNER	9" (22.9 cm) Poly	9" (22.9 cm) Poly	9" (22.9 cm) Poly	9" (22.9 cm) Poly
SPREAD WIDTH	12-14 ft	3 - 30 ft	3 - 30 ft	3 - 20 ft
RECEIVER HITCH	Class 3 or 4	Class 4	Class 4	Class 4
CONTROL	In-Cab ON/OFF (SUV1152)	Variable Speed (TGS1864)	Variable Speed (TGS1864)	Variable Speed Controller (TGS1864)
VEHICLE APPLICATIONS	SUV's, 3/4 & 1 Ton Trucks	SUV's, 3/4 & 1 Ton Trucks	3/4 & 1 Ton Trucks	SUV's, 1/2, 3/4 & 1 Ton Trucks

ACCESSORIES

200 lbs Vibrator Kit



Part No.	Description
TGS0340	200 lbs Vibrator Kit, For TGSUVPROA

Auxiliary Plug Adapter



- Integral On-Off Switch for TGSUV1B

Part No.	Description
SUV1152	Auxiliary Plug Adapter, ON/Off for TGSUV1B

Variable speed controller



- Standard with TGSUVPROA, TGS01B, TGS03, TGGS05B, TGS06 and TGS07

Part No.	Description
TGS1864	Variable Speed Controller - TGSUVPROA, TGS01B, TGS03, TGS05B, TGS06 & TGS07

Spreaders Tailgate

SaltDogg®



TGS05B

- Gravity feed with vertical 12 VDC auger assist
- Optional wintergate mount allows full truck bed access

Compares to:
Boss® TGS1100,
Meyer® Blaster 750,
Western® LP 2500,
SnowEx® Pivot Pro 1075,
Swenson® Tailhawk 750



TGS06

- Adjustable flowgate design
- Includes 80lb. vibrator

Compares to:
Meyer® Mate



TGS03

- Horizontal auger feed
- Optional vibrator for salt/sand mix (3020340)

Compares to:
Meyer® Blaster 350,
Swenson® Tailhawk 350,
SnowEx® SP-1875



TGS07

- Horizontal auger feed
- Includes concealed 200lb vibrator & top screen
- Dual action lid for loading from ground or truck bed

Compares to:
Boss® TGS800,
Air-Flo® MSS,
Western® Pro Flow 2,
SnowEx® SP-1075

Part No.	Description
TGS05B	Low Profile Tailgate Spreader 10.79 Cu. Ft.
TGS06	Low Profile Tailgate Spreader 10 Cu. Ft.

Part No.	Description
TGS03	Tailgate - Commercial Use Salt & Sand Spreader 8.0 Cu. Ft.B70
TGS07	Tailgate Spreader 11 Cu. Ft.

	TGS05B	TGS06	TGS03	TGS07
IDEAL USE	Commercial	Commercial	Commercial	Commercial
CONSTRUCTION	Polyethylene / Steel	Polyethylene	Polyethylene / Steel	Polyethylene / Steel
CAPACITY	10.79 cu ft / 809 lbs	10 cu ft / 750 lbs	8.0 cu ft / 600 lbs	11 cu ft / 825 lbs
MATERIAL	# 1 Rock Salt or Similar	# 1 Rock Salt or Similar	Bulk Salt or 50/50 Salt/Sand	Bulk Salt or 50/50 Salt/Sand
DIMENSIONS (H X W X L)	40.1" X 54.3" X 27.3"	40" X 63" X 27"	45" X 38" X 30"	46" X 53" X 31.5"
WEIGHT	212 lbs (96.2 kg)	160 lbs (72.6 kg)	160 lbs (72.6 kg)	230 lbs (104.33 kg)
FEED MECHANISM	Gravity Feed w/ Internal Auger Assist	Manual Open / Close Gate w/ Gravity	Auger Feed Mechanism w/ Stainless Trough	Auger Feed Mechanism w/ Stainless Trough
MOTOR	12 VDC	12 VDC	12 VDC Dual Shaft Gear Motor	12 VDC Dual Shaft Gear Motor
SPINNER	9" Poly	9" Poly	12" Poly	12" Poly
SPREAD WIDTH	3 - 30 ft	3 - 30 ft	3 - 30 ft	3 - 30 ft
RECEIVER HITCH	Class 4	Class 4	Class 4 w/ Horiz. & Vert. Adj	Class 4 w/ Horiz. & Vert. Adj
CONTROL	Variable Speed (TGS1864)	Variable Speed (TGS1864)	Variable Speed (TGS1864)	Variable Speed (TGS1864)
VEHICLE APPLICATIONS	3/4 & 1 Ton Trucks	3/4 & 1 Ton Trucks	1/2 & 3/4 Ton Trucks	3/4 & 1 Ton Trucks

*Truck Application is only a reference. The Gross Vehicle Weight (GVW) of the truck & calculated payload must be evaluated for each application.

ACCESSORIES



TGS1864

Part No.	Description
TGS0340	200 lbs Vibrator Kit, For TGSUVPROA
TGS1864	Variable Speed Control - TGSUVPROA, TGS01B, TGS03, TGS05B, TGS06 & TGS07
31-50A	Winter Gate (Swing) Spreader Mount
31-75A	2" Receiver Tube Mount
TGS7100	12-Light LED Brake Light

- Variable speed controller standard with TGSUVPROA, TGS01B, TGS03, TGS05B, TGS06, TGS07

Electric Drive Poly Hopper Salt & Sand Spreaders



SaltDog®

SHPE0750

- Stainless Steel Auger
- Independent spinner/ auger control
- Includes 200 lb vibrator, top screen, tarp, 1496505 tie down, & 3022215 remote auger bearing grease kit

Compares to:
SnowEx® SP-3000

SHPE1000

- Stainless Steel Auger
- Independent spinner/ auger control
- Includes 200 lb vibrator, top screen, tarp, 1496505 tie down, & 3022215 remote auger bearing grease kit

Compares to:
SnowEx® VeePro 6000

SHPE1500

- Stainless Steel Auger
- Independent spinner/ auger control
- Includes 200 lb vibrator, top screen, tarp, 1496505 tie down, & 3022215 remote auger bearing grease kit

Compares to:
SnowEx® SP7550

SHPE1500RED

- Stainless Steel Auger
- Independent spinner/ auger control
- Includes 200 lb vibrator, top screen, tarp, 1496505 tie down, & 3022215 remote auger bearing grease kit

Compares to:
SnowEx® SP7550

Part No.	Description
SHPE0750	3/4 Cu Yd V-Box Spreader, Electric, Standard Chute
SHPE0750X	3/4 Cu Yd V-Box Spreader, Electric, Extended Chute
SHPE1000	1.0 Cu Yd V-Box Spreader, Electric, Standard Chute
SHPE1000X	1.0 Cu Yd V-Box Spreader, Electric, Extended Chute

Part No.	Description
SHPE1500	1.45 Cu Yd V-Box Spreader, Electric, Standard Chute
SHPE1500X	1.45 Cu Yd V-Box Spreader, Electric, Extended Chute
SHPE1500RED	1.45 Cu Yd V-Box Spreader (RED), Electric, Standard Chute
SHPE1500XRED	1.45 Cu Yd V-Box Spreader (RED), Electric, Extended Chute

	SHPE0750	SHPE1000	SHPE1500	SHPE1500RED
IDEAL USE	Residential/ Light Commercial	Light/Medium-Duty Commercial	Medium & Heavy-Duty Commercial	Medium & Heavy-Duty Commercial
CONSTRUCTION	Black Polyethylene	Black Polyethylene	Black Polyethylene	Red Polyethylene
CAPACITY	0.75 cu yds	1.0 cu yds	1.45 cu yds	1.45 cu yds
DIMENSIONS (H X W X L)	28" x 48" x 63.2" (hopper length 53")	34" x 48" x 71.5" (hopper length 68")	38" x 50.5" x 99.7" (hopper length 87.3")	38" x 50.5" x 99.7" (hopper length 87.3")
WEIGHT	280lbs / 289lbs*	343 lbs/ 347 lbs*	520 lbs/ 529lbs *	520 lbs/ 529lbs *
FEED MECHANISM	2-1/2" Stainless Steel Auger & Trough	2-1/2" Stainless Steel Auger & Trough	2-1/2" Stainless Steel Auger & Trough	2-1/2" Stainless Steel Auger & Trough
AUGER MOTOR	12 VDC- .50 HP	12 VDC- .50 HP	12 VDC- .50 HP	12 VDC- .50 HP
SPINNER MOTOR	12 VDC- .25 HP	12 VDC- .25 HP	12 VDC- .25 HP	12 VDC- .25 HP
SPINNER	14" Poly	14" Poly	14" Poly	14" Poly
SPREAD WIDTH	5ft -30 ft	5ft -30 ft	5ft -30 ft	5ft -30 ft
CHUTE	Standard & Extended	Standard & Extended	Standard & Extended	Standard & Extended
CONTROL	In-Cab Console (3014199)	In-Cab Console (3014199)	In-Cab Console (3014199)	In-Cab Console (3014199)
VEHICLE APPLICATION	Utility vehicles, 1/4 ton, 1/2 ton & 3/4 ton trucks	1/2 ton and 3/4 ton trucks	3/4 ton and 1-ton trucks	3/4 ton and 1-ton trucks

* X indicates 12" Extended Chute Model w/ 12" spinner.

*Truck Application is only a reference. The Gross Vehicle Weight (GVW) of the truck & calculated payload must be evaluated for each application.

VARIABLE SPEED CONTROLLER



Part No.	Description
3014199	Variable speed controller standard with SHPE0750 Series, SHPE1000 Series, SHPE1500 Series, SHPE2000 Series & SHPE4000 Series

Spreaders V-Box

Electric Drive Poly Hopper Salt & Sand Spreaders

SaltDogg®



SHPE1500YEL

- Stainless Steel Auger
- Independent spinner/ auger control
- Includes 200 lb vibrator, top screen, tarp, 1496505 tie down, & 3022215 remote auger bearing grease kit

Compares to:
SnowEx® SP7550

Part No.	Description
SHPE1500YEL	1.45 Cu Yd V-Box Spreader (YELLOW) , Electric, Standard Chute
SHPE1500XYEL	1.45 Cu Yd V-Box Spreader (YELLOW) , Electric, Extended Chute
SHPE2000	2.0 Cu Yd V-Box Spreader, Electric, Standard Chute
SHPE2000X	2.0 Cu Yd V-Box Spreader, Electric, Extended Chute



SHPE2000

- Stainless Steel Auger
- Independent spinner/ auger control
- Includes 200 lb vibrator, top screen, tarp, 1496505 tie down, & 3022215 remote auger bearing grease kit

Compares to:
Meyer/ Swenson Poly Hawk PV, Western Tornado, Fisher Polycaster, SnowEx SP-8500/H, SnowEx SP8550, Down Easter CMYDY2108E, Boxx VBX8000



SHPE2000RED

- Stainless Steel Auger
- Independent spinner/ auger control
- Includes 200 lb vibrator, top screen, tarp, 1496505 tie down, & 3022215 remote auger bearing grease kit

Compares to:
Meyer/ Swenson Poly Hawk PV, Western Tornado, Fisher Polycaster, SnowEx SP-8500/H, SnowEx SP8550, Down Easter CMYDY2108E, Boxx VBX8000

Part No.	Description
SHPE2000RED	2.0 Cu Yd V-Box Spreader (RED), Electric, Standard Chute
SHPE2000XRED	2.0 Cu Yd V-Box Spreader (RED), Electric, Extended Chute
SHPE2000YEL	2.0 Cu Yd V-Box Spreader (YELLOW), Electric, Standard Chute
SHPE2000XYEL	2.0 Cu Yd V-Box Spreader (YELLOW), Electric, Extended Chute



SHPE2000YEL

- Stainless Steel Auger
- Independent spinner/ auger control
- Includes 200 lb vibrator, top screen, tarp, 1496505 tie down, & 3022215 remote auger bearing grease kit

Compares to:
Meyer/ Swenson Poly Hawk PV, Western Tornado, Fisher Polycaster, SnowEx SP-8500/H, SnowEx SP8550, Down Easter CMYDY2108E, Boxx VBX8000

	SHPE1500YEL	SHPE2000	SHPE2000RED	SHPE2000YEL
IDEAL USE	Medium & Heavy-Duty Commercial	Medium & Heavy-Duty Commercial	Medium & Heavy-Duty Commercial	Medium & Heavy-Duty Commercial
CONSTRUCTION	Yellow Polyethylene	Black Polyethylene	Red Polyethylene	Yellow Polyethylene
CAPACITY	1.45 cu yds	2.0 cu yds	2.0 cu yds	2.0 cu yds
"DIMENSIONS (H X W X L)"	38" x 50.5" x 99.7" (hopper length 87.3")	40" x 47.8" x 100" (hopper length 96")	40" x 47.8" x 100" (hopper length 96")	40" x 47.8" x 100" (hopper length 96")
WEIGHT	520 lbs/ 529lbs *	560 lbs/ 564 lbs *	560 lbs/ 564 lbs *	560 lbs/ 564 lbs *
FEED MECHANISM	2-1/2" Stainless Steel Auger & Trough	2-1/2" Stainless Steel Auger & Trough	2-1/2" Stainless Steel Auger & Trough	2-1/2" Stainless Steel Auger & Trough
AUGER MOTOR	12 VDC- .50 HP	12 VDC- .50 HP	12 VDC- .50 HP	12 VDC- .50 HP
SPINNER MOTOR	12 VDC- .25 HP	12 VDC- .25 HP	12 VDC- .25 HP	12 VDC- .25 HP
SPINNER	14" Poly	14" Poly	14" Poly	14" Poly
SPREAD WIDTH	5ft -30 ft	5ft -30 ft	5ft -30 ft	5ft -30 ft
CHUTE	Standard & Extended	Standard & Extended	Standard & Extended	Standard & Extended
CONTROL	In-Cab Console (3014199)	In-Cab Console (3014199)	In-Cab Console (3014199)	In-Cab Console (3014199)
VEHICLE APPLICATION**	3/4 and 1-ton trucks	1-ton trucks (above 10,000lbs GVW)	1-ton trucks (above 10,000lbs GVW)	1-ton trucks (above 10,000lbs GVW)

* X indicates 12" Extended Chute Model w/ 12" spinner.

**Truck Application is only a reference. The Gross Vehicle Weight (GVW) of the truck & calculated payload must be evaluated for each application.

ACCESSORIES



Part No.	Description
3014199	Variable speed controller standard with SHPE0750 Series, SHPE1000 Series, SHPE1500 Series, SHPE2000 Series & SHPE4000 Series

Electric Drive Poly Hopper Salt & Sand Spreaders



SHPE2250

- LARGE .75 HP Auger motor and .5 HP spinner motor
- 5.25" FULL LENGTH variable pitch auger

*Compares to:
Meyer/Swenson Poly Hawk PV,
Western Tornado,
Fisher Polycaster,
SnowEx SP-8500/H,
SnowEx SP8550,
Down Easter CMYDY2108E*



SHPE2250RED

- LARGE .75 HP Auger motor and .5 HP spinner motor
- 5.25" FULL LENGTH variable pitch auger

*Compares to:
Meyer/Swenson Poly Hawk PV,
Western Tornado,
Fisher Polycaster,
SnowEx SP-8500/H,
SnowEx SP8550,
Down Easter CMYDY2108E*



SHPE2250YEL

- LARGE .75 HP Auger motor and .5 HP spinner motor
- 5.25" FULL LENGTH variable pitch auger

*Compares to:
Meyer/Swenson Poly Hawk PV,
Western Tornado,
Fisher Polycaster,
SnowEx SP-8500/H,
SnowEx SP8550,
Down Easter CMYDY2108E*



1400601SS

- LARGE .75 HP Auger motor and .5 HP spinner motor
- 12" wide all steel pintle chain conveyor

*Compares to:
Meyer/Swenson PV358 Electric,
Henderson FSP Electric,
Air-Flo PSV-8 Electric*

Part No.	Description
SHPE2250	2.2 Cu Yd V-Box Spreader, Electric, Standard Chute
SHPE2250RED	2.2 Cu Yd V-Box Spreader (RED), Electric, Standard Chute
SHPE2250YEL	2.2 Cu Yd V-Box Spreader (YELLOW), Electric, Standard Chute
1400601SS	2.0 Cu Yd V-Box Spreader (Stainless), Electric
1400701SSA76	1.5 Cu Yd V-Box Spreader (Stainless), Electric

	SHPE2250	SHPE2250RED	SHPE2250YEL	1400601SS
IDEAL USE	Medium & Heavy Duty Commercial	Medium & Heavy Duty Commercial	Medium & Heavy Duty Commercial	Medium & Heavy Duty Commercial
CONSTRUCTION	Black Polyethylene	Red Polyethylene	Yellow Polyethylene	Stainless Steel
CAPACITY	2.2 cu yds	2.2 cu yds	2.2 cu yds	2.0 cu yds / 1.5 cu yds
DIMENSIONS (H X W X L)	44" x 48" x 114.2" (hopper length 98.5")	44" x 48" x 114.2" (hopper length 98.5")	44" x 48" x 114.2" (hopper length 98.5")	32.1" x 47" x 110.8 (hopper length 96") / 32.1" x 47" x 86.8" (hopper length 72")
WEIGHT	680 lbs	680 lbs	680 lbs	995 lbs / 682 lbs
FEED MECHANISM	5.25" Carbon Steel Variable Pitch Auger, Stainless Trough	5.25" Carbon Steel Variable Pitch Auger, Stainless Trough	5.25" Carbon Steel Variable Pitch Auger, Stainless Trough	12" W Conveyor Chain
MOTOR	(2) 12 VDC	(2) 12 VDC	(2) 12 VDC	(2) 12 VDC
SPINNER	14" poly	14" poly	14" poly	14" poly
SPREAD WIDTH	5 ft -30ft	5 ft -30ft	5 ft -30ft	2-30 feet
CHUTE	Adjustable	Adjustable	Adjustable	Adjustable
CONTROL	In-Cab Console(3016934)	In-Cab Console(3016934)	In-Cab Console(3016934)	In-Cab Console(3016934)
VEHICLE APPLICATION*	1-ton trucks (above 10,000 lbs GVW)	1-ton trucks (above 10,000 lbs GVW)	1-ton trucks (above 10,000 lbs GVW)	3/4 & 1-ton trucks

*Truck Application is only a reference. The Gross Vehicle Weight (GVW) of the truck & calculated payload must be evaluated for each application.

ACCESSORIES



Part No.	Description
3016934	Standard with SHPE2250 Series, SHPE3000, SHPE3000CH, SHPE6000 , 1400601SS & 1400701SS

Spreaders V-Box

Electric Drive Poly Hopper Salt & Sand Spreaders

SaltDogg®



SHPE3000

- Steel top screen
- 12 VDC vibrator rated at 400 force pounds
- 6" Carbon Steel Auger
- Interlocking gutter system and double door lid

*Compares to:
Western Tornado, Fisher Polycaster,
SnowEx SP-9300*

SHPE3000CH

- Steel top screen
- 12 VDC vibrator rated at 400 force pounds
- 12" W Conveyor Chain
- Interlocking gutter system and double door lid

*Compares to:
Western Tornado, Fisher Polycaster,
SnowEx SP-9300*

SHPE4000

- Steel top screen
- (2) 12 VDC vibrators rated at 400 force pounds

*Compares to:
SnowEx SP-9500*

SHPE6000

- Steel top screens
- 12 VDC vibrator rated at 000 force pounds

*Compares to:
SnowEx SP-9800X*

Part No.	Description
SHPE3000	3.0 Cu Yd V-Box Spreader, Electric, Adjustable Chute
SHPE3000CH	3.0 Cu Yd V-Box Spreader, Electric, Adjustable Chute

Part No.	Description
SHPE4000	4.0 Cu Yd V-Box Spreader, Electric, Adjustable Chute
SHPE6000	6.0 Cu Yd V-Box Spreader, Electric, Standard Chute

	SHPE3000	SHPE3000CH	SHPE4000	SHPE6000
IDEAL USE	Medium & Heavy Duty Commercial	Medium & Heavy Duty Commercial	Medium & Heavy-Duty Commercial	Medium & Heavy-Duty Commercial
CONSTRUCTION	Black Polyethylene	Black Polyethylene	Black Polyethylene/ Stainless Steel	Black Polyethylene/ Stainless Steel
CAPACITY	3.0 cu yds	3.0 cu yds	4.0 cu yds	6.0 cu yds
DIMENSIONS (H X W X L)	52.7" x 49.6" x 123.7" (hopper length 114")	52.7" x 49.6" x 123.7" (hopper length 114")	43.5" x 74" x 114.8" (hopper length 99.5")	57" x 77" x 133.5" (hopper length 127")
WEIGHT	945 lbs	945 lbs	895lbs	1, 134lbs
FEED MECHANISM	6" Carbon Steel Auger, Stainless Steel Trough	12" W Conveyor Chain	5.5" Carbon Steel Auger, Stainless Steel Trough	6" Carbon Steel Auger, Stainless Steel Trough
MOTOR	(2) 12 VDC	(2) 12 VDC	(2) 12 VDC	(2) 12 VDC
SPINNER	14" poly	14" poly	14" Poly	14" Poly
SPREAD WIDTH	5 ft -30ft	5 ft -30ft	5ft -30ft	5ft -30ft
CHUTE	Adjustable	Adjustable	Standard	Standard
CONTROL	In-Cab Console(3016934)	In-Cab Console(3016934)	In-Cab Console (3014199)	In-Cab Console (3016934)
VEHICLE APPLICATION	Min 13, 000lbs GVW	Min 13, 000lbs GVW	Min 15, 000 lbs GVW	Min 25, 999 lbs GVW

*Truck Application is only a reference. The Gross Vehicle Weight (GVW) of the truck & calculated payload must be evaluated for each application.

ACCESSORIES



3016934



3104199

Part No.	Description
3016934	Standard with SHPE2250 Series, SHPE3000, SHPE3000CH, SHPE6000, 1400601SS, 1400701SS
3014199	Variable speed controller standard with SHPE0750 Series, SHPE1000 Series, SHPE1500 Series, SHPE2000 Series & SHPE4000
3022215	Remote Grease Kit, fits all SHPE Series spreaders

Gas Drive Hopper Salt & Sand Spreaders



**1400200SS
1400250SS***

- Electric start with in-cab electric throttle
- 12 VDC electric clutch has a three-position on-off on in-cab switch
- Includes top screen and Inverted V

Compares to: Henderson FSP, Swenson PV & PolyHawk



**1400050
1400100***

- Electric start with in-cab electric throttle
- 12 VDC electric clutch has a three-position on-off on in-cab switch
- Includes top screen and Inverted V

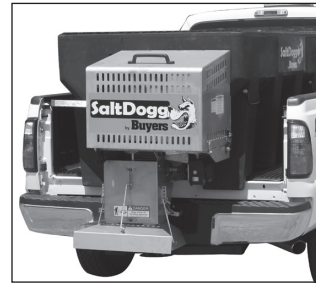
Compares to: Henderson FSP, Swenson PV & PolyHawk



**1400050SS, 1400300SS
1400100SS*, 1400350SS***

- Electric start with in-cab electric throttle
- 12 VDC electric clutch has a three-position on-off on in-cab switch
- Includes top screen and Inverted V

Compares to: Henderson FSP, Swenson PV & PolyHawk



**1400400
1400450***

- Electric start with in-cab electric throttle
- 12 VDC electric clutch has a three-position on-off on in-cab switch
- Includes top screen and Inverted V

Compares to: Henderson FSP, Swenson PV & PolyHawk

Part No.	Description
1400200SS	1.5 Cu Yd, Gas Engine, S.S. V-Box S
1400250SS*	1.5 Cu Yd, Gas Engine, S.S. V-Box S
1400050	2.0 Cu Yd, Gas Engine, Carbon Steel
1400100*	2.0 Cu Yd, Gas Engine, S.S. V-Box S

Part No.	Description
1400050SS	2.0 Cu Yd, Gas Engine, S.S. V-Box S
1400100SS*	2.0 Cu Yd, Gas Engine, S.S. V-Box S
1400300SS	2.5 Cu Yd, Gas Engine, S.S. V-Box S
1400350SS*	2.5 Cu Yd, Electric Start In-Cab Throttle
1400400	2.0 Cu Yd, Gas Engine, Poly V-Box S
1400450*	2.0 Cu Yd, Gas Engine, Poly V-Box S

	1400200SS 1400250SS*	1400050 1400100*	1400050SS, 1400300SS 1400100SS*, 1400350SS*	1400400 1400450*
IDEAL USE	Medium & Heavy-Duty Commercial	Medium & Heavy-Duty Commercial	Medium & Heavy-Duty Commercial	Medium & Heavy-Duty Commercial
CONSTRUCTION	Stainless Steel	Carbon Steel	Stainless Steel	Polyethylene
CAPACITY	1.5 cu yd	2.0 cu yds	2.0 cu yd / 2.5 cu yd	2.0 cu yds
DIMENSIONS (H X W X L)	32.1" x 47" x 91.7" (hopper length 72")	32.1" x 47" x 115.7" (hopper length 96")	32.1" x 47" x 115.7" (hopper length 96") 32.1" x 47" x 139.7" (hopper length 120")	35" x 47" x 115.6" (hopper length 95.5")
WEIGHT	753lbs/ 764 lbs *	945 lbs / 955 lbs *	750lbs / 760lbs * 910lbs/922lbs *	837lbs / 853 lbs *
FEED MECHANISM	12" W Conveyor Chain	12" W Conveyor Chain	12" W Conveyor Chain	12" W Conveyor Chain
AUGER MOTOR	10.5 HP Briggs & Stratton	10.5 HP Briggs & Stratton	10.5 HP Briggs & Stratton	10.5 HP Briggs & Stratton
SPINNER	12" poly	12" poly	12" poly	12" poly
SPREAD WIDTH	2-30 ft	2-30 ft	2-30 ft	2-30 ft
CHUTE	Standard & Extended	Standard & Extended	Standard & Extended	Standard & Extended
CONTROL	In-Cab Console (3010390)	In-Cab Console (3010390)	In-Cab Console (3010390)	In-Cab Console (3010390)
VEHICLE APPLICATION **	3/4 and 1-ton trucks	3/4 and 1-ton trucks	3/4 and 1-ton trucks /10' Flatbed or Dump Truck	3/4 and 1-ton trucks

* Indicates Extended Chute Model

* Truck Application is only a reference. The Gross Vehicle Weight (GVW) of truck & calculated payload must be evaluated for each application.

ACCESSORIES

Part No.	Description
3010390	In-Cab Console Standard with 1400200SS, 1400250SS, 1400050, 1400100, 1400050SS, 1400100SS, 1400300SS, 1400350SS, 1400400, 1400450
1496505	Spreader Hold Down Kit



Spreaders V-Box

SaltDogg®

2.5 - 4.5 CUBIC YARD CONVEYOR MUNICIPAL HOPPER SPREADERS

Designed for dump bodies and flat beds with a GVW chassis of 10, 000 to 26, 000 lbs

- 304 Stainless Steel Hopper
- Adjustable Feedgate
- Available with Independent Hydraulic Motors, Independent electric Motors, or 10-1/2 HP Gas Engine
- 14-1/2" Wide Conveyor Chain With 1/4" Cross Bars
- Spinner Chute has Two Adjustable Internal Baffles
- 4 Hinged Top Screens, 1/4" Bars
- Inverted V
- Bolt-On Spinner Housing
- 14" Spinner Disc (2.5 – 3.0 cu yd), 18" (2.5 – 4.5 cu yd)

Compares to: Henderson® FSM, Swenson® MDV



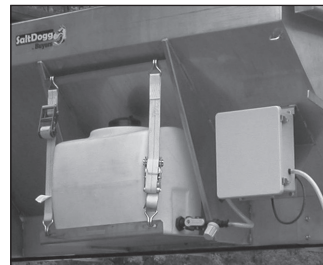
Part No.	DESCRIPTION	* MINIMUM GVW OF:	HEIGHT	WIDTH	LENGTH (OVERALL)	LENGTH (HOPPER)
1400455SS	2.5 cu. yd., Gas Engine	10, 000 lbs	38.0"	58"	115.9"	96"
1400455SE	2.5 cu. yd., Electric Motor	10, 000 lbs	38.0"	58"	116.5"	96"
1400455SH	2.5 cu. yd., Hydraulic Motor	10, 000 lbs	38.0"	58"	118.8"	96"
1400460SS	2.75 cu. yd., Gas Engine	11, 000 lbs	38.0"	58"	127.9"	108"
1400460SE	2.75 cu. yd., Electric Motor	11, 000 lbs	38.0"	58"	128.5"	108"
1400460SH	2.75 cu. yd., Hydraulic Motor	11, 000 lbs	38.0"	58"	130.0"	108"
1400465SS	3.0 cu. yd., Gas Engine	12, 500 lbs	38.0"	58"	138.9"	120"
1400465SE	3.0 cu. yd., Electric Motor	12, 500 lbs	38.0"	58"	140.5"	120"
1400465SH	3.0 cu. yd., Hydraulic Motor	12, 500 lbs	38.0"	58"	141.8"	120"
1400475SS	3.5 cu. yd., Gas Engine	15, 000 lbs	45.5"	70"	115.9"	96"
1400475SH	3.5 cu. yd., Hydraulic Motor	15, 000 lbs	45.5"	70"	118.8"	96"
1400500SS	4.0 cu. yd., Gas Engine	15, 000 lbs	45.5"	70"	127.9"	108"
1400500SH	4.0 cu. yd., Hydraulic Motor	15, 000 lbs	45.5"	70"	130.0"	108"
1400550SS	4.5 cu. yd., Gas Engine	17, 500 lbs	45.5"	70"	138.9"	120"
1400550SH	4.5 cu. yd., Hydraulic Motor	17, 500 lbs	45.5"	70"	141.8"	120"

*Truck Application is only a reference. The Gross Vehicle Weight (GVW) of the truck & calculated payload must be evaluated for each application

ACCESSORIES



1497051- Optional Cab Guard



LS1 - Optional Liquid Spray System (55 Gallon)

Part No.	DESCRIPTION
1497051	Cab Guard, Stainless Steel (70" x 22" x 51"), for 3.5-4.5 cu. yd. Models
LS1	12-Volt Cab Control, 55 Gal. Poly Reservoir, V-Box Mount, for 3-4.5 cu. yd models
LS3	12-Volt Cab Control, Two 55 Gal. Poly Reservoirs, V-Box Mount, for 3-4.5 cu. yd. Models
8891144	44" LED Light Bar Kit (Includes (2) Red LED Round STT Lights, (2) Amber LED Round Strobe lights, (3) Red LED Round Marker Lights, Wire Harness, (2) LED Load Equalizers and Lightbar)
8891145	44" LED Light Bar Kit (Includes (2) Red LED Oval STT Lights, (2) Amber LED Oval Strobe lights, (3) Red LED Round Marker Lights, Wire Harness, (2) LED Load Equalizers and Lightbar)
1496505	Nylon Ratchet Strap Mounting Kit (4 straps to a set)
3008560	Dump Body Tailgate Latch

6 - 16 CUBIC YARD CONVEYOR MUNICIPAL HOPPER SPREADERS

Designed for municipalities and contractors with a minimum 26,000 lbs. GVW chassis

- 304 Stainless Steel Hopper
- Adjustable Feedgate
- 24" Wide Conveyor with 3/8" Crossbars
- Two Independent Hydraulic Drive Motors
- Choice of 3 Gear Box Ratios: 6:1, 25:1, 50:1
- Hinged Top Screens, 3/8" Bars on 3" Centers
- Inverted V, Adjustable
- 2" Drive Shaft and Bearing with 8-Tooth Sprockets
- Quick Release Hinged Chute (No Tools Needed)
- 20" Poly Spinner Disc

Compares to: Henderson® FSH, Swenson® EV-100



Shown w/Optional 8891167 Lightbar & LS4 Liquid Spray System
(Liquid spray Information on page 35)

SaltDogg®

Part No.	CAPACITY	GEAR RATIO	* MINIMUM GVW OF:	HEIGHT	WIDTH	LENGTH (OVERALL)	LENGTH (HOPPER)
1450657SSH	6 cu. yd.	50:1	26,000 lbs	57"	82"	132"	108"
1425657SSH	6 cu. yd.	25:1	26,000 lbs	57"	82"	132"	108"
1406657SSH	6 cu. yd.	6:1	26,000 lbs	57"	82"	132"	108"
1450757SSH	7 cu. yd.	50:1	33,000 lbs	57"	82"	144"	120"
1425757SSH	7 cu. yd.	25:1	33,000 lbs	57"	82"	144"	120"
1406757SSH	7 cu. yd.	6:1	33,000 lbs	57"	82"	144"	120"
1450863SSH	8 cu. yd.	50:1	33,000 lbs	63"	82"	144"	120"
1425863SSH	8 cu. yd.	25:1	33,000 lbs	63"	82"	144"	120"
1406863SSH	8 cu. yd.	6:1	33,000 lbs	63"	82"	144"	120"
1450969SSH	9 cu. yd.	50:1	35,000 lbs	69"	82"	144"	120"
1425969SSH	9 cu. yd.	25:1	35,000 lbs	69"	82"	144"	120"
1406969SSH	9 cu. yd.	6:1	35,000 lbs	69"	82"	144"	120"
1451057SSH	10 cu. yd.	50:1	35,000 lbs	57"	82"	167"	144"
1421057SSH	10 cu. yd.	25:1	35,000 lbs	57"	82"	167"	144"
1461057SSH	10 cu. yd.	6:1	35,000 lbs	57"	82"	167"	144"
1451163SSH	11 cu. yd.	50:1	38,000 lbs	63"	82"	167"	144"
1421163SSH	11 cu. yd.	25:1	38,000 lbs	63"	82"	167"	144"
1461163SSH	11 cu. yd.	6:1	38,000 lbs	63"	82"	167"	144"
1451369SSH	13 cu. yd.	50:1	44,000 lbs	69"	82"	167"	144"
1421369SSH	13 cu. yd.	25:1	44,000 lbs	69"	82"	167"	144"
1461369SSH	13 cu. yd.	6:1	44,000 lbs	69"	82"	167"	144"
1451257SSH	12 cu. yd.	50:1	44,000 lbs	57"	82"	191"	168"
1421257SSH	12 cu. yd.	25:1	44,000 lbs	57"	82"	191"	168"
1461257SSH	12 cu. yd.	6:1	44,000 lbs	57"	82"	191"	168"
1451363SSH	13 cu. yd.	50:1	44,000 lbs	63"	82"	191"	168"
1421363SSH	13 cu. yd.	25:1	44,000 lbs	63"	82"	191"	168"
1461363SSH	13 cu. yd.	6:1	44,000 lbs	63"	82"	191"	168"
1451469SSH	14 cu. yd.	50:1	48,000 lbs	69"	82"	191"	168"
1421469SSH	14 cu. yd.	25:1	48,000 lbs	69"	82"	191"	168"
1461469SSH	14 cu. yd.	6:1	48,000 lbs	69"	82"	191"	168"

*Truck Application is only a reference. The Gross Vehicle Weight (GVW) of the truck & calculated payload must be evaluated for each application

Spreaders Stands & Accessories

6 - 16 CUBIC YARD CONVEYOR MUNICIPAL HOPPER SPREADERS - ACCESSORIES

SaltDogg®



Shown w/ Optional 3026067 Lane Changing Chute
3022060 Folding Stainless Steel Ladder & 3025885
Spreader Stand

ACCESSORIES

Part No.	Description
3008560	Dump Body Tailgate Latch
3010548	Tie Down Kit, Chain
3020704	16" Chute Extension, SS for Taller Mounting Heights
3020624	Remote Grease Kit, 3-Point
3020625	Chain Lubricator Kit, Stainless Steel
3020626	Crank Up Chute Kit
-	Pre-Wetting Systems - See Page 35 For Listing & Prices
-	Anti-Ice Spray Bars (Call for Quote)
3022060	Folding Stainless Steel Spreader Ladder, Full Size
8891167	66" LED Light Bar Kit (Includes (4) Red LED Round STT Lights, (2) Amber LED Round Strobe Lights, (3) Red LED Round Marker Lights, Wire Harness, (2) LED Load Equalizers and Lightbar)
8891168	66" LED Light Bar Kit (Includes (2) Red LED Oval STT Lights, (2) Clear LED Oval Back-Up Lights, (2) Amber LED Oval Strobe Lights, (3) Red LED Round Marker Lights, Wire Harness, (2) LED Load Equalizers and Lightbar)
8891169	66" LED Light Bar Kit (Includes (4) Red LED Oval STT Lights, (2) Amber LED Oval Strobe Lights, (3) Red LED Round Marker Lights, Wire Harness, (2) LED Load Equalizers and Lightbar)

SPREADER STANDS

Part No.	Description
3025885	Spreader Stand, 10ft - 11ft, Black Power Coated - Approx 1, 038 lbs
3025886	Spreader Stand, 12ft - 13ft, Black Power Coated - Approx 1, 088 lbs
3025887	Spreader Stand, 14ft - 15ft, Black Power Coated - Approx 1, 138 lbs
3027468	Spreader Stand, 10ft - 11ft, Galvanized - Approx 1, 038 lbs
3027469	Spreader Stand, 12ft - 13ft, Galvanized - Approx 1, 088 lbs
3027470	Spreader Stand, 14ft - 15ft, Galvanized - Approx 1, 138 lbs

7 - 10 CUBIC YARD AUGER MUNICIPAL HOPPER SPREADERS

Designed for dump bodies and flat beds
with a minimum 33,000 lbs. GVW chassis

- Hydraulic Drive – Two Independent Motors
- 304 Stainless Steel Hopper
- 7" Dia. Auger with Multi-Pitch Design
- Adjustable Height Spinner Chute
- Built-In Rubber Side Deflector Mounts (Optional)
- Sloped Frond and Rear Panels
- Six 3/8" Heavy-Duty Hinged Top Screens with 4" Peak
- 18" Poly Spinner Disc



SaltDogg®

Compares to: Henderson® FSH, Swenson® EVA

Part No.	Description	Height	Width	Length (Overall)	Length (Hopper)	Est Wt (Lbs)
1471056SSH	7.0 cu. yd., Auger V-Box Hopper Spreader	55.25"	87.7"	157"	120"	2,655
1471156SSH	8.0 cu. yd., Auger V-Box Hopper Spreader	55.25"	87.7"	169"	132"	2,855
1471256SSH	9.0 cu. yd., Auger V-Box Hopper Spreader	55.25"	87.7"	181"	144"	3,055
1471456SSH	10.0 cu. yd., Auger V-Box Hopper Spreader	55.25"	87.7"	205"	168"	3,561

ACCESSORIES

Part No.	Description
3008560	Dump Body Tailgate Latch
3010548	Tie Down Kit, Chain
3020624	Remote Grease Kit, 3-Point
3022060	Folding Stainless Steel Spreader Ladder, Full Size
1492144	Belted Rubber Side Deflectors 3/8" x 2' x 12'
LS5	12-Volt, Cab Control, Two 105 Gal. Poly Reservoirs, V-Box Mount
LS5H	Hydraulic, Cab Control, Two 105 Gal. Poly Reservoirs, V-Box Mount
LS10	12-Volt, Cab Control, Two 400 Gal. Poly Reservoirs, V-Box Mount (for min. 12" Spreaders)
8891167	66" LED Light Bar Kit (Includes (4) Red LED Oval STT Lights, (2) Amber LED Round Strobe Lights, (3) Red LED Round Marker Lights, Wire Harness, (2) LED Load Equalizers and Lightbar)
8891168	66" LED Light Bar Kit (Includes (2) Red LED Oval STT Lights, (2) Clear LED Oval Back-Up Lights, (2) Amber LED Oval Strobe Lights, (3) Red LED Round Marker Lights, Wire Harness, (2) LED Load Equalizers and Lightbar)
8891169	66" LED Light Bar Kit (Includes (4) Red LED Oval STT Lights, (2) Amber LED Oval Strobe Lights, (3) Red LED Round Marker Lights, Wire Harness, (2) LED Load Equalizers and Lightbar)

Spreaders Under Tailgate

SaltDogg®

STANDARD 8" SIDE PLATES

Hydraulic Drive

- Hydraulic Safety Lockout System
- 18" Poly Spinner with 7 GPM Motor
- Standard Discharge
- 6" Auger w/ 3/8" Flighting

Part No.	Description
92420A	Carbon Steel, Direct Drive, Standard Discharge
92420SSA	Stainless Steel, Direct Drive, Standard Discharge



Compares to:
Henderson® TGS, Swenson® SAD

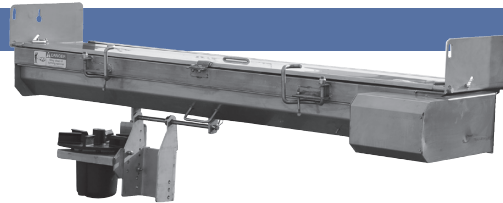
Part No.	Description
92425SSA	Stainless Steel, Direct Drive, Driver Side Discharge
92430A	Carbon Steel, w/5:1 Gearbox, Standard Discharge
92430SSA	Stainless Steel, w/5:1 Gearbox, Standard Discharge

ELECTRIC UTS SPREADERS

Standard 8" Side Plates

- LARGE .75 HP Auger Motor and .5 HP Spinner Motor
- 14" Poly Spinner
- Standard and Center Discharge
- 6" Auger w/ 3/8" Flighting

Part No.	Description
92440SSA	Stainless Steel, Direct Drive, Standard Discharge
92441SSA	Stainless Steel, Direct Drive, Center Discharge



Compares to:
SnowEx® SP2200, Truckcraft® LC160, Swenson® SEL



3016934

Part No.	Description
3016934	Standard with 92440SSA, 92441SSA & 9035000

STANDARD 15" SIDE PLATES

Hydraulic Drive



- Hydraulic Safety Lockout System
- 18" Poly Spinner w/ 7GPM Motor
- Standard or Driver Side Discharge
- 6" Auger w/ 3/8" Flighting

Compares to:
Henderson® TGS, Swenson® SAD

Part No.	Description
92421SSA	Stainless Steel, Direct Drive, Standard Discharge
92426SSA	Stainless Steel, Direct Drive, Driver Side Discharge

SPILL SHIELDS FOR 8" SIDE PLATE SPREADERS

Hydraulic Drive

Part No.	Description
924F0106SSPR	Tailgate Spill Shields, Stainless Steel
924F0106PR	Tailgate Spill Shields, Black Powder Coat

REPLACEMENT TAILGATE SPREADER

Electric Drive



3016934

- Mounting Brackets Adjust from 73" - 95"
- Includes In-Cab, Independent Variable Spinner and Auger Speed Control
- Quick and Easy Installation
- Fits 1-Ton/Super Duty Dump Bodies

Part No.	Description
9035000	Tailgate Spreader Replacement, w/ Adapter (1-Ton Dump Bodies)
3016934	Spreader Controller, Comes Standard w/92440SSA, 92441SSA & 9035000

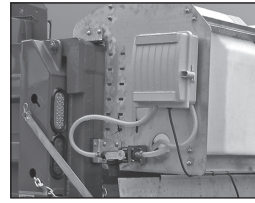
Liquid Spray Pre-Wetting Systems



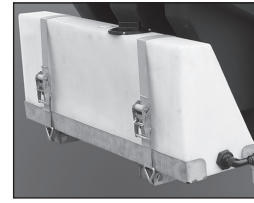
LS1 & LS3
(55 gal. poly reservoir)



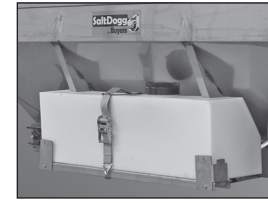
LS4 & LS5
(105 gal. poly reservoir)



LS4T (tailgate mount)
(105 gal. poly reservoir)



LS6
(30 gal. poly reservoir)

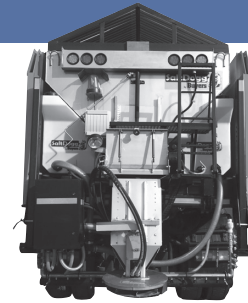


LS7 & LS8
(30 gal. poly reservoir)

Part No.	DESCRIPTION	Fits	Weight
LS1	12-Volt, Cab Control, 55 Gal. Poly Reservoir, V-Box Mount	3.5 cu. yd. +	148 lbs
LS2	12-Volt, Cab Control, Reservoir Excluded, V-Box Mount	3.5 cu. yd. +	23 lbs
LS3	12-Volt, Cab Control, Two 55 Gal., Poly Reservoirs, V-Box Mount	3.5 cu. yd. +	210 lbs
LS4	12-Volt, Cab Control, 105 Gal. Poly Reservoir, V-Box Mount	6 cu. yd. +	319 lbs
LS4H	Hydraulic, Cab Control, 105 Gal. Poly Reservoir, V-Box Mount	6 cu. yd. +	351 lbs
LS4T	12-Volt, Tailgate Mount, Cab Control, 105 Gal. Poly Reservoir	24" + Tailgates	325 lbs
LS4TH	Hydraulic, Tailgate Mount, Cab Control, 105 Gal. Poly Reservoir	24" + Tailgates	357 lbs
LS5	12-Volt, Cab Control, Two 105 Gal. Poly Reservoirs, V-Box Mount	6 cu. yd. +	348 lbs
LS5H	Hydraulic, Cab Control, Two 105 Gal. Poly Reservoirs, V-Box Mount	6 cu. yd. +	380 lbs
LS6	12-Volt, Cab Control, 30 Gal. Poly Reservoir, V-Box Mount	SHPE1500 & SHPE2000 Series	116 lbs
LS6H	Hydraulic, Cab Control, 30 Gal. Poly Reservoir, V-Box Mount	SHPE1500 & SHPE2000 Series	158lbs
LS7	12-Volt, Cab Control, 30 Gal. Poly Reservoir, V-Box Mount	1.5 – 2.0 cu. yd.	85 lbs
LS8	12-Volt, Cab Control, Two 30 Gal. Poly Reservoir, V-Box Mount	1.5 – 2.0 cu. yd.	197 lbs
LS8H	Hydraulic, Cab Control, Two 30 Gal. Poly Reservoir, V-Box Mount	1.5 – 2.0 cu. yd.	229 lbs
LS10	12-Volt, Cab Control, Two 400 Gal. Poly Reservoir, V-Box Mount	12' – 16' Spreaders	814 lbs
LS10H	Hydraulic, Cab Control, Two 400 Gal. Poly Reservoir, V-Box Mount	12' – 16' Spreaders	846 lbs
LS102	Enclosure Assembly, Electric, 3.0 GPM w/Cab Controller	-	16 lbs
LS102H	Enclosure Assembly, Hydraulic, 4.5 GPM w/Cab Controller	-	43 lbs

REPLACEMENT PARTS

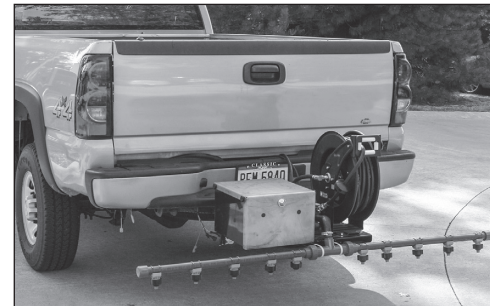
Part No.	DESCRIPTION	Weight
WSE1	Spray System Controller	2.0 lbs
WSE3	12V Electric Diaphragm Pump, 3 GPM, 45 PSI	5.0 lbs
WSE4	Pressure Switch, 1/4" NPT	.5 lbs
WSE10	Ball Valve, 1/2" NPT	.8 lbs
WSE11	Filter, 3/4" NPT, 6 GPM, 300 Micron Screen	.2 lbs



IN-BED LIQUID SPRAY SYSTEMS

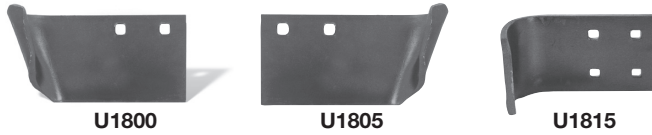
- 2" Hitch Mounted Liquid Spray System
- 12 VDC, 28 Amps Max, Rear Quick Connect Harness
- In-Cab On/Off Control, Standard
- 7 GPM Diaphragm Pump Dispenses Up To 50 Gal. Per Lane Mile
- Stainless Steel Pump Cover w/LED License Plate Light
- Lightweight, Poly Reservoir Rolls Up for Bulkhead Storage
- Lightweight and Better Visibility Than Fixed Tank Systems
- .73 PVC Spray Bar w/Quick Service Nozzles

Part No.	DESCRIPTION	Weight
6196335	For 6' Bed, 335 Gal.	80 lbs
6198335	For 8' Bed, 335 Gal.	154 lbs
6190000	System w/o Reservoir	70 lbs
6191000	Hose Reel w/Adj. Spray Nozzle	52 lbs



Municipal Highway Plows Parts & Accessories

CURB GUARDS



Part No.	Description
U1800	Curb Guard - Driver Side
U1805	Curb Guard - Passenger Side
U1815	Curb Guard Universal 1/2" X 6" Wide
U1816	Curb Guard Universal 1/2" X 8" Wide
U1818	Curb Guard Universal 5/8" X 8" Wide

YELLOW POLYURETHANE CUTTING EDGES

(No Holes)

Part No.	Description
YPCE96	Yellow Ply C.E. 1-1/2" X 8" X 96" (No Holes)
YPCE108	Yellow Ply C.E. 1-1/2" X 8" X 108" (No Holes)
YPCE120	Yellow Ply C.E. 1-1/2" X 8" X 120" (No Holes)

BLACK POLYETHYLENE CUTTING EDGES

(No Holes)

Part No.	Description
BPCE80	Black Ply C.E. 1" X 6" X 80" (No Holes)
BPCE90	Black Ply C.E. 1" X 6" X 90" (No Holes)
BPCE96	Black Ply C.E. 1" X 6" X 96" (No Holes)

CHAIN LIFT PLOW BLOCK



Part No.	Description
1317119	Chain Lift Plow Block (Gledhill® 1980-D3)

LIFT CHAIN SPRING



Part No.	Description
1317288	Muni Plow Lift Chain Spring

TRIP SPRINGS



Part No.	Description
1317105	Compression Spring (Henderson® 81646)
1317106	Trip Spring (Gledhill® 1980-D3, Bonnell® BON-000700)
1317107	Torsion Spring, Trip Edge, 3/4" Square (Henderson® H95297, HENKE™ 7070057, WAUSAU™ 9C-07057)

CAST UNIVERSAL SNOWPLOW SHOES



- Plow Shoe, Universal
- 6" Bolt Centers
- 3/4" Square Holes
- 10-5/8" Dia X 2-34" Thick

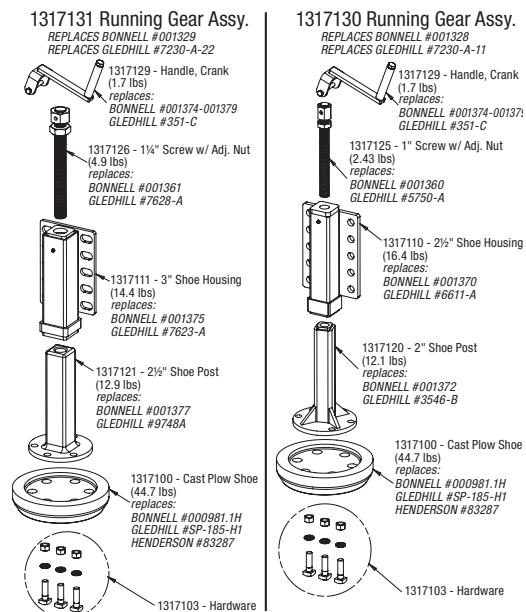
Part No.	Description
1317100	Plow Runner Gear Shoe, Cast, 3/4" Sq. Hole
1317103	Hardware Kit, Plow Runner Gear Shoe (1317100)

STEEL CUTTING EDGES: HIGHWAY PUNCHED

(See Page 37 For dimensions)

Part No.	Description
MHE50-6-120	Muni Highway Edge, 1/2" X 6" X 120"
MHE50-6-132	Muni Highway Edge, 1/2" X 6" X 132"
MHE50-6-144CS	Muni Highway Edge, 1/2" X 6" X 144 Ctsk
MHE75-6-24CS	Muni Highway Edge, 3/4" X 6" X 24" Ctsk
MHE75-6-36CBCS	Muni Highway Edge, 3/4" X 6" X 36" Carbide Ctsk
MHE75-6-36CS	Muni Highway Edge, 3/4" X 6" X 36" Ctsk
MHE75-6-48CBCS	Muni Highway Edge, 3/4" X 6" X 48" Carbide Ctsk
MHE75-6-48CS	Muni Highway Edge, 3/4" X 6" X 48" Ctsk
MHE75-8-108CS	Muni Highway Edge, 3/4" X 8" X 108" Ctsk
MHE75-8-120CS	Muni Highway Edge, 3/4" X 8" X 120" Ctsk
MHE75-8-132CS	Muni Highway Edge, 3/4" X 8" X 132" Ctsk
MHE75-8-144CS	Muni Highway Edge, 3/4" X 8" X 144" Ctsk
MHE75-8-48	Muni Highway Edge, 3/4" X 8" X 48"
MHE75-8-60	Muni Highway Edge, 3/4" X 8" X 60"
MHE75-8-72	Muni Highway Edge, 3/4" X 8" X 72"
MHE625-6-108	Muni Highway Edge, 5/8" X 6" X 108"
MHE625-6-120	Muni Highway Edge, 5/8" X 6" X 120"
MHE625-6-132	Muni Highway Edge, 5/8" X 6" X 132"
MHE625-6-24	Muni Highway Edge, 5/8" X 6" X 24"
MHE625-6-48CS	Muni Highway Edge, 5/8" X 6" X 48" Ctsk
MHE625-8-120CS	Muni Highway Edge, 5/8" X 8" X 120" Ctsk
MHE625-8-96	Muni Highway Edge, 5/8" X 8" X 96"
MHE625-8-108	Muni Highway Edge, 5/8" X 8" X 108"
MHE625-8-120FSE	Muni Highway Edge, 5/8" X 8" X 120" FSE
MHE625-8-132FSE	Muni Highway Edge, 5/8" X 8" X 132" FSE
MHE625-8-144FSE	Muni Highway Edge, 5/8" X 8" X 144" FSE

PLOW RUNNING GEAR ASSEMBLY



Part No.	Description
1317131	Plow Assy Running Gear w/ Shoe, 2-1/2"
1317130	Plow Assy Running Gear w/ Shoe, 3"

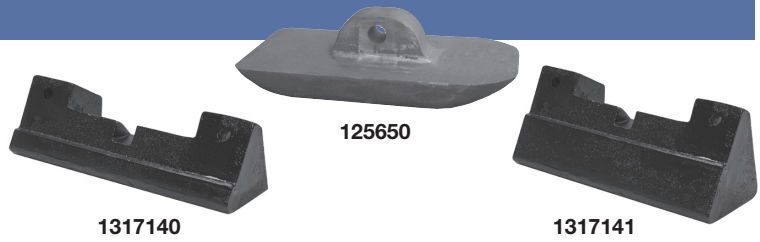
PLOW RUNNING GEAR ASSEMBLY - PARTS

Part No.	Description	Part No.	Description
1317110	2-1/2" Shoe Housing (1317130)	1317125	1" Screw w/ Adj Nut (1317130)
1317111	3" Shoe Housing (1317131)	1317126	1-1/4" Screw w/ Adj Nut (1317131)
1317120	2" Shoe Post (1317130)	1317129	Crank Handle (1317131, 1317130)
1317121	2-1/2" Shoe Post (1317131)		

Municipal Highway Plows Parts & Accessories

CAST PLOW SHOES

Part No.	Description
125650	Rigid Root Plow Skid Shoe, 16" L X 7.5" W X 5" H, 1" Hole
1317140	6" Cast Plow shoe - Gledhill® 15646-C
1317141	8" Cast Plow shoe - Gledhill® 15647-C



TRIP EDGE CURB GUARD

Part No.	Description
1317150	Trip Edge Curb Guard



PLOW QUICK HITCH ATTACHMENTS

Part No.	Description
1317210	Quick Hitch, Truck Portion, Drop Pin Style (Works on various Highway Plows)
1317200	Quick Hitch, Plow Portion, Drop Pin Style (Works on various Highway Plows)
1317260	21" Swivel Adapter, Pin Ear
1317262	30.5" Swivel Adapter, Pin Ear



HUSTINGS STYLE PLOW HITCH ASSEMBLIES

Part No.	Description
1317212	29" Truck Side
1317214	29" Plow Portion
1317216	34" Truck Side
1317218	34" Plow Ption
1304520	3" X 10" Single Acting Lift Cylinder
1304512	3" X 10" Double Acting Lift Cylinder
1317222	Roller Kit, Truck Side

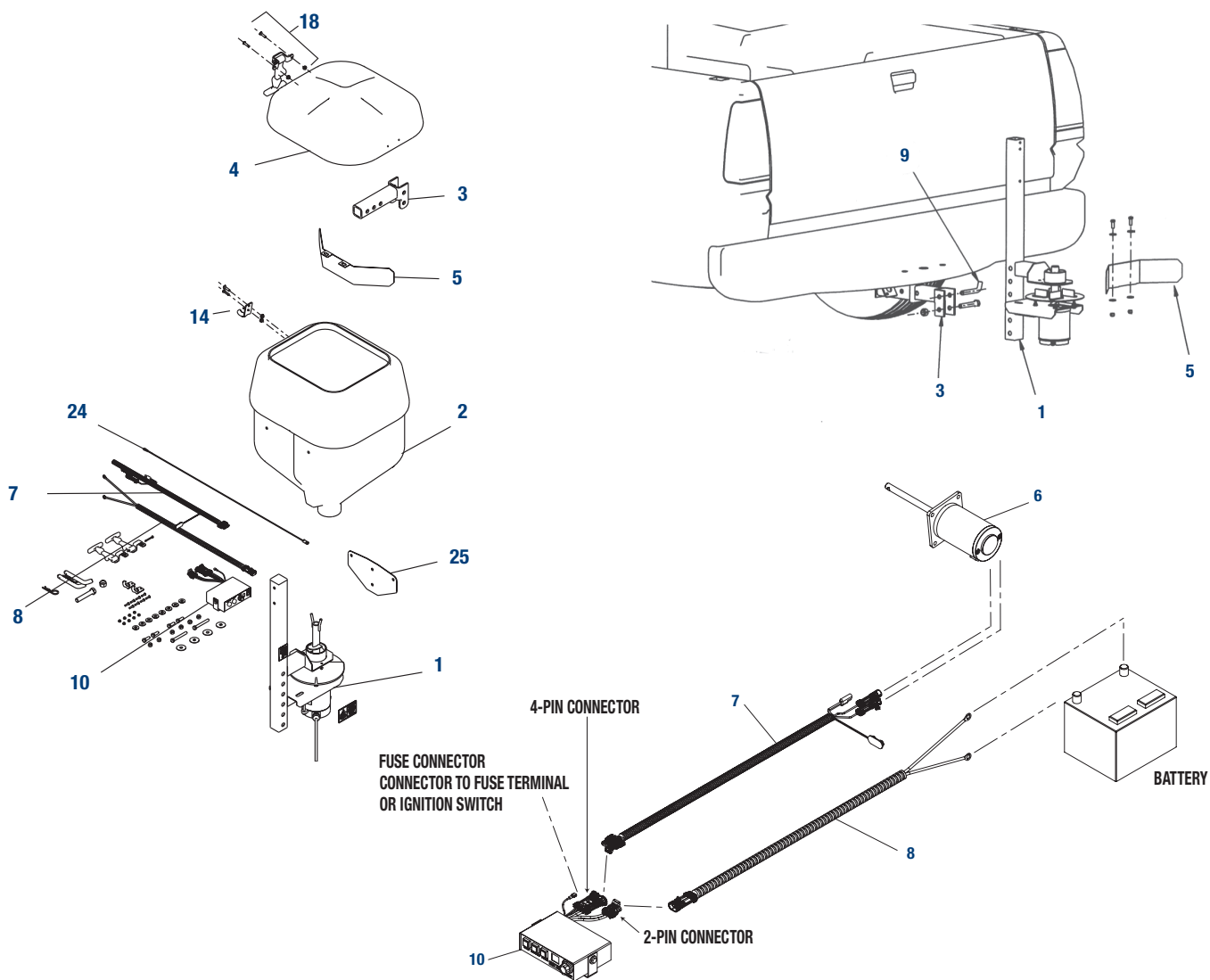


STEEL CUTTING EDGES: HIGHWAY PUNCHED DIMENSIONS

Part No.	Length	Width	Top to Center of Hole	Bolt Size	No. Of Holes	Edge to Center 1st Hole	1st Hole to 2nd Hole	2nd to 3rd Hole	3rd to 4th Hole	Thickness	Approx Wgt (Lbs)
MHE50-6-120	120"	6"	1-1/2"	5/8"	12	3"	3"	12"	12"	1/2"	101
MHE50-6-132	132"	6"	1-1/2"	5/8"	13	3"	3"	12"	12"	1/2"	112
MHE50-6-144CS	144"	6"	1-1/2"	5/8"	14	3"	3"	12"	12"	1/2"	122
MHE75-6-24CS	24"	6"	1-1/2"	5/8" Ctsk	4	3"	3"	12"	-	3/4"	31
MHE75-6-36CBCS	36"	6"	1-1/2"	5/8" Ctsk	5	3"	3"	12"	12"	5/8"	46
MHE75-6-36CS	36"	6"	1-1/2"	5/8" Ctsk	5	3"	3"	12"	12"	3/4"	45.1
MHE75-6-48CBCS	48"	6"	1-1/2"	5/8" Ctsk	6	3"	3"	12"	12"	5/8"	62
MHE75-6-48CS	48"	6"	1-1/2"	5/8" Ctsk	6	3"	3"	12"	12"	3/4"	60.3
MHE75-8-108CS	108"	8"	1-1/2"	5/8" Ctsk	11	3"	3"	12"	12"	5/8"	184
MHE75-8-120CS	120"	8"	1-1/2"	5/8" Ctsk	12	3"	3"	12"	12"	5/8"	204
MHE75-8-132CS	132"	8"	1-1/2"	5/8" Ctsk	13	3"	3"	12"	12"	5/8"	225
MHE75-8-144CS	144"	8"	1-1/2"	5/8" Ctsk	14	3"	3"	12"	12"	5/8"	245
MHE75-8-48	48"	8"	1-1/2"	5/8"	6	3"	3"	12"	12"	3/4"	82
MHE75-8-60	60"	8"	1-1/2"	5/8"	7	3"	3"	12"	12"	3/4"	102
MHE75-8-72	72"	8"	1-1/2"	5/8"	8	3"	3"	12"	12"	3/4"	123
MHE625-6-108	108"	6"	1-1/2"	5/8"	11	3"	3"	12"	12"	5/8"	114.6
MHE625-6-120	120"	6"	1-1/2"	5/8" Ctsk	12	3"	3"	12"	12"	5/8"	127
MHE625-6-132	132"	6"	1-1/2"	5/8"	13	3"	3"	12"	12"	5/8"	140
MHE625-6-24	24"	6"	1-1/2"	5/8"	4	3"	3"	12"	-	5/8"	26
MHE625-6-48CS	48"	6"	1-1/2"	5/8" Ctsk	6	3"	3"	12"	12"	5/8"	51
MHE625-8-120CS	120"	8"	1-1/2"	5/8" Ctsk	12	3"	3"	12"	12"	5/8" (+/- .025)	168
MHE625-8-96	96"	8"	1-1/4"	1/2"	8	4.46"	12.44"	-	-	5/8"	136
MHE625-8-108	108"	8"	1-1/2"	5/8"	11	3"	3"	12"	12"	5/8"	153
MHE625-8-120FSE	120"	8"	1-1/2"	5/8"	12	3"	3"	12"	12"	5/8"	168
MHE625-8-132FSE	132"	8"	1-1/2"	5/8"	13	3"	3"	12"	12"	5/8"	187
MHE625-8-144FSE	144"	8"	1-1/2"	5/8"	14	3"	3"	12"	12"	5/8"	194

Spreader Replacement Parts - TGSUVPROA

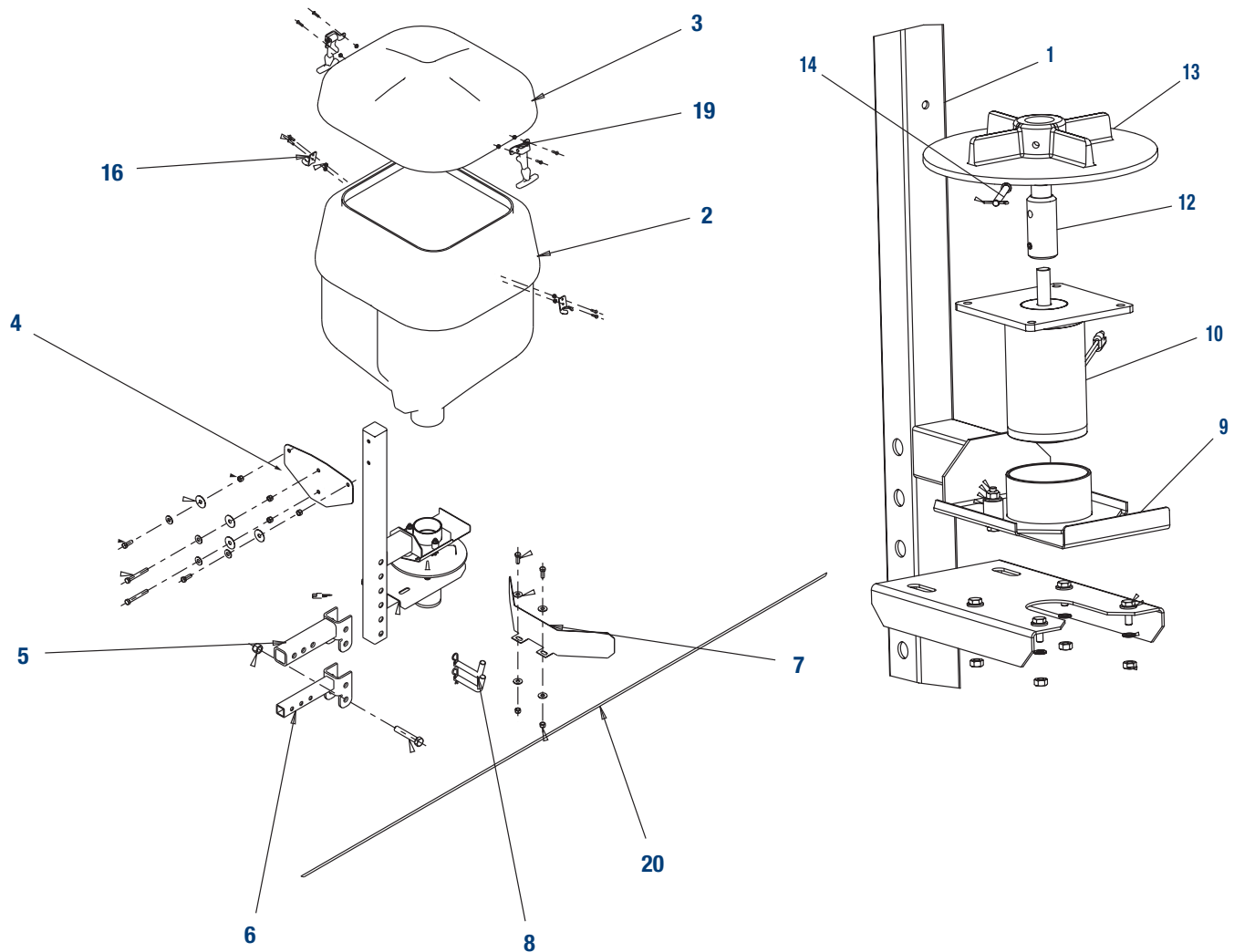
SaltDogg®



Dia. No.	Part No.	Description
	TGSUVPROA	Tailgate Spreader for 3/4 & 1 Ton Trucks
1	TGS7107	Motor Frame Assembly TGSUVPROA
2	SUV5614	Hopper With Insert and Graphics Assembly
3	SUV4589	Receiving Mount Swing Down
4	SUV3571	Lid Assembly For TGSUV1B
5	SUV5977	Shield Spinner
6	TGS4441	TGSPRO Salt Spreader Motor
7	TGS8620	Wire Harness
8	TGS8615	Power Cable
9	SUV6235	Hitch Pin With HP Cotter
10	TGS1864	Controller
14	TGS626P	Keeper Latch WJ201 Black
18	SUV2982	Strap Hood Catch
24	TGS3700	Blue Wire Term To Ignition Switch
25	TGS5788	Retainer Hopper TGSUV



Spreader Replacement Parts - TGSUV1B



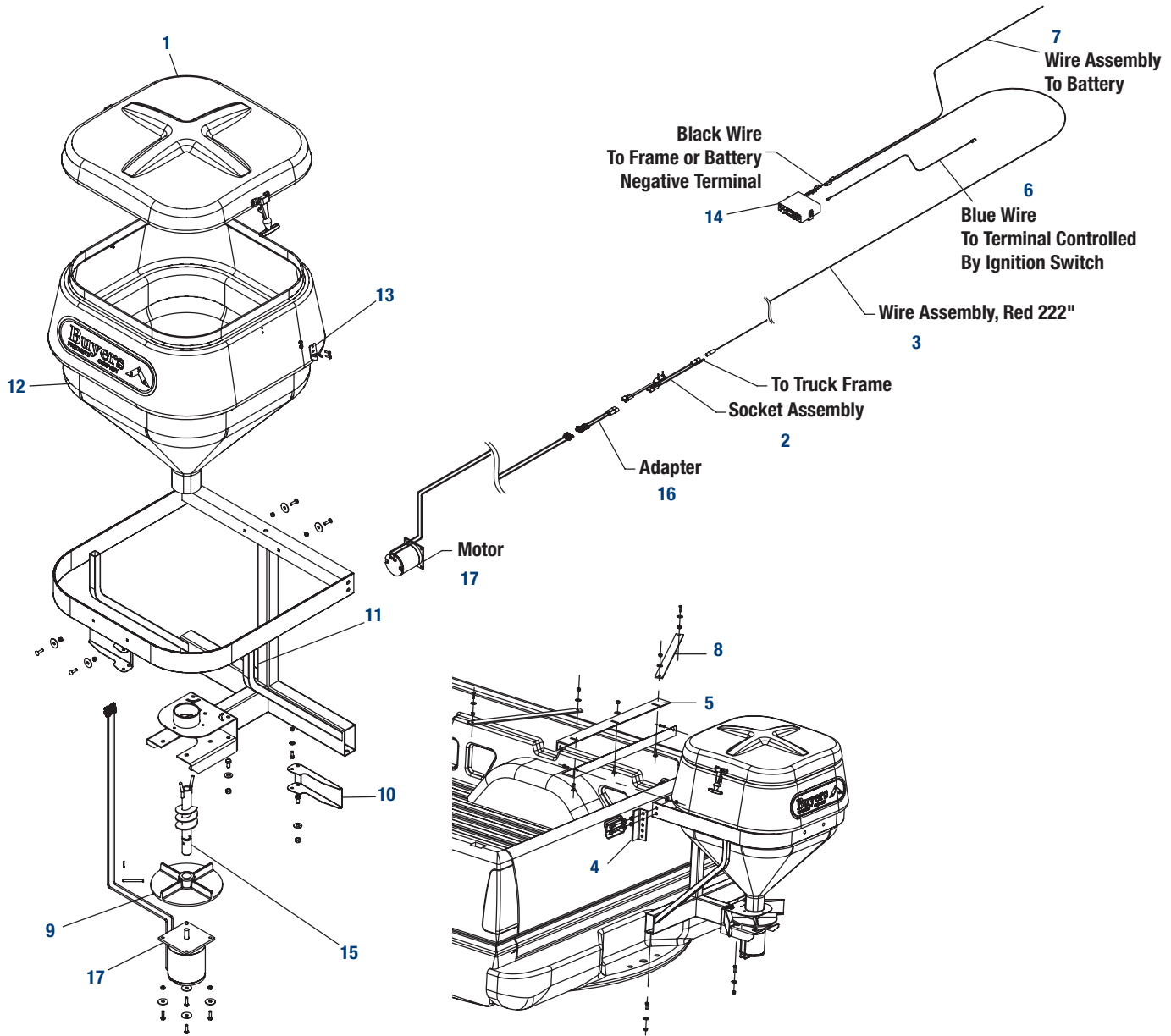
SaltDog®

Dia. No.	Part No.	Description
	TGSUV1B	SUV Tailgate Spreader 4.413 Cubic Foot
1	SUV5473	Frame Welded With Sleeve
2	SUV5614	Hopper With Insert and Graphics Assembly
3	SUV3571	Lid Assembly For TGSUV1B
4	TGS5788	Retainer Hopper TGSUV
5	SUV4589	Receiving Mount Swing Down
6	SUV4590	Receiving Mount 1-1/4 Fold Down
7	SUV5977	Shield Spinner
8	SUV6235	Hitch Pin With HP Cotter
9	SUV7502	Gate Flow Adjuster
10	SUV5693	12V DC Motor For SUV1 Spreader
12	TGS809	Spinner Hub With Set Screw For TGSUV1B
13	SUV5705	Spinner Disc Poly (TGSUV1)
14	TGS1014	Clevis Pin 1/4 Inch X 2-1/2 Inch
16	TGS626P	Keeper Latch WJ201 Black
19	SUV2982	Strap Hood Catch
20	SUV1152	Wire Harness Complete



Spreader Replacement Parts - TGS01B

SaltDogg®

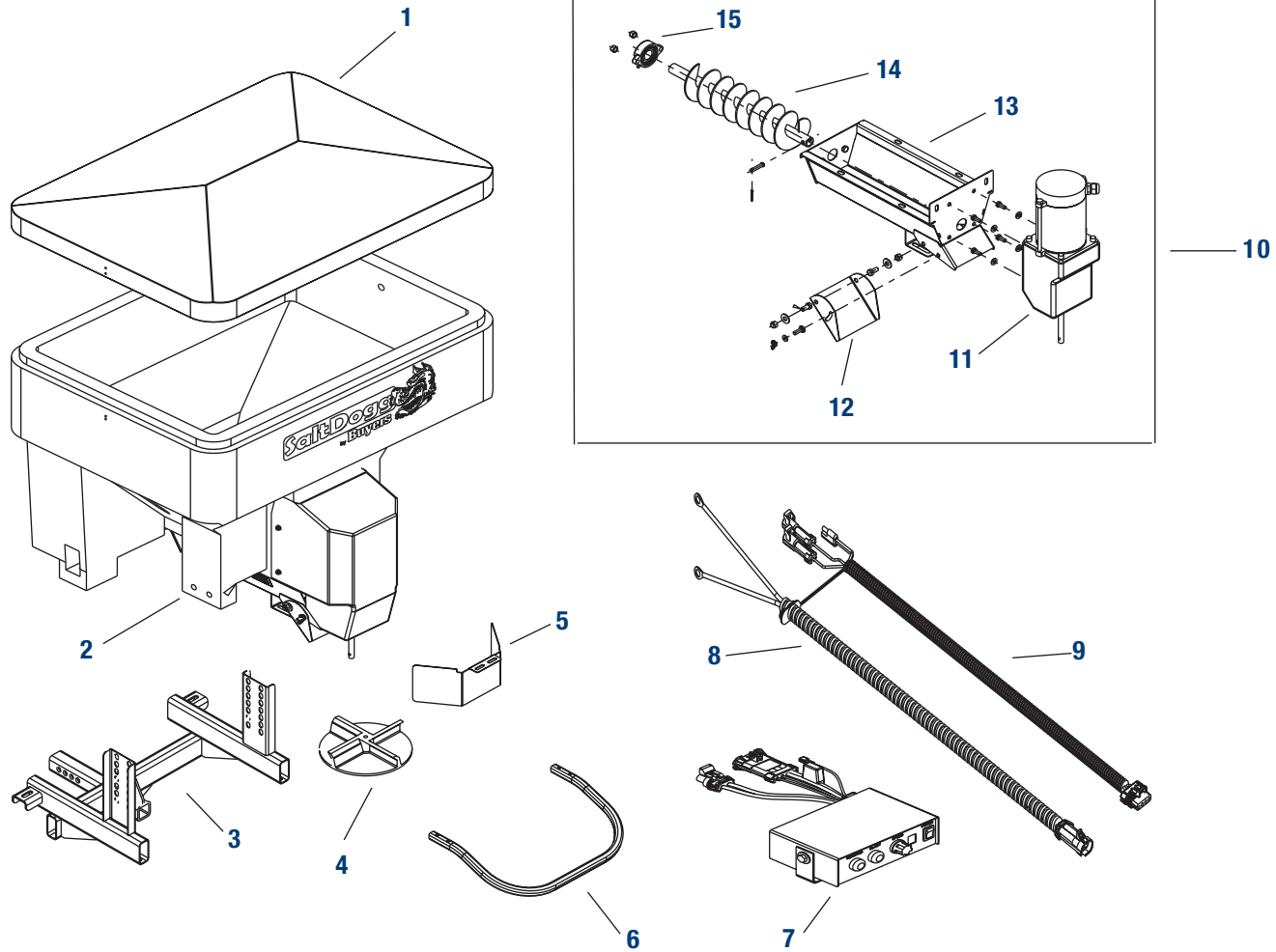


Dia. No.	Part No.	Description
	TGS01B	Tailgate Spreader 8.02 Cubic Foot 135#
1	TGS3079	Lid Assembly For TGS01B
2	TGS3200	Socket Assembly For TGS01B
3	TGS3600	Wire Red 222 Inch
4	TGS3617	Angle Mount Adapter
5	TGS3620	Angle Mount Adapter
6	TGS3700	Blue Wire Term To Ignition Switch
7	TGS3800	Wire Assy To Battery 96 Inch Red Positive
8	TGS3973	Mounting Brace
9	TGS5706	Spinner, Poly
10	TGS5913	Shield
11	TGS5920	Frame Weldment
12	TGS6095	Hopper With Sleeve Assembly
13	TGS626P	Keeper Latch WJ201 Black
14	TGS1864	Controller
15	TGS7811	Auger With Set Screw
16	TGS9863	Adapter For TGS01B
17	TGS4441	TGSPRO Salt Spreader Motor



Spreader Replacement Parts - TGS03

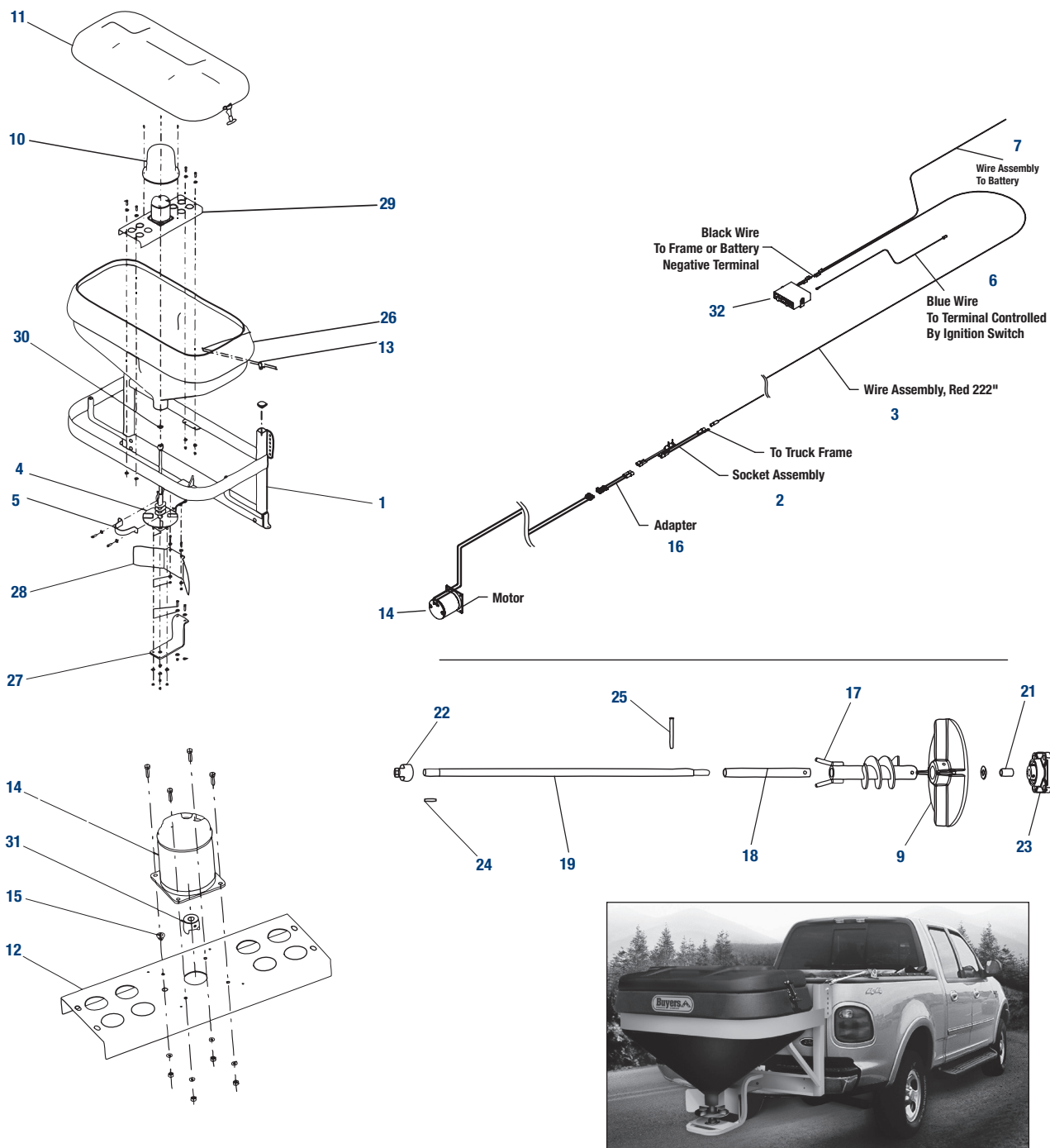
SaltDog®



Dia. No.	Part No.	Description
	TGS03	Tailgate - Commercial Use Salt & Sand Spreader
1	TGS9410	Lid for TGS03 Spreader
2	TGS9372	Hopper Assembly TGS03
3	TGS9400	Spreader Frame TGS03
4	TGS9561	Spinner - 12 Inch Diameter
5	TGS5707	Shield
6	TGS8923	Disc Protector
7	TGS1864	Controller
8	TGS8615	Power Cable
9	TGS8620	Wire Harness
10	TGS5383	Through Assembly
11	TGS5377	Gear Motor Dual Shaft .5 HP 12VDC
12	TGS9374	Discharge, Adjustable
13	TGS5381	Through Weldment
14	TGS5382	Auger
15	TGS1000	Bearing, 2-Hole Flanged 1"

Spreader Replacement Parts - TGS05B

SaltDogg®



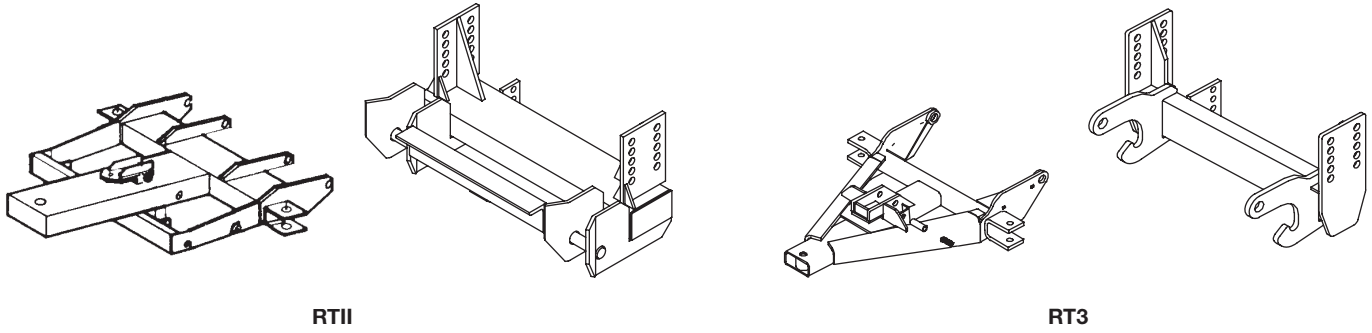
Dia. No.	Part No.	Description
	TGS05B	Low Profile Tailgate Spreader
1	TGS3702	Frame Weldment Assembly
2	TGS3200	Socket Assembly For TGS01B
3	TGS3600	Wire Red 222 Inch
4	TGS3035	Shaft Assembly Auger
5	TGS2260	Hopper Support Strap
6	TGS3700	Blue Wire Term To Ignition Switch
7	TGS3800	Wire Assy To Battery 96 Inch Red Positive
9	TGS5706	Spinner, Poly
10	TGS3495	Cover Motor Drilled
11	TGS3511	Lid Assembly
12	TGS3494	Channel Motor Mount
13	TGS626P	Keeper Latch WJ201 Black
14	TGS3476	Motor
15	TGS3395	Bushing
16	TGS9863	Adapter For TGS01B

Dia. No.	Part No.	Description
17	TGS3683	Auger Weldment
18	TGS2460	Bushing TGS05 Auger
19	TGS2360	Shaft TGS05 Spinner
21	TGS3245	Bushing Bronze Oilite
22	TGS2047	5/8 Inch Coupler - 1 Side Only
23	3003032	Bearing 5/8 Inch Bore, 4 Hole
24	TGSK301	Key 3/4 Inch X 1 Inch
25	TGS1014	Clevis Pin 1/4 Inch X 2-1/2 Inch
26	TGS3285	Hopper With Insert Assembly
27	TGS3707	Bracket Motor Mount
28	TGS3486	Spinner Shield
29	TGS3502	Motor Drive Assembly
30	TGS2470	Solid Center Spider
31	TGS8470	Coupling 1/2 Inch Bore Assembly
32	TGS1864	Controller

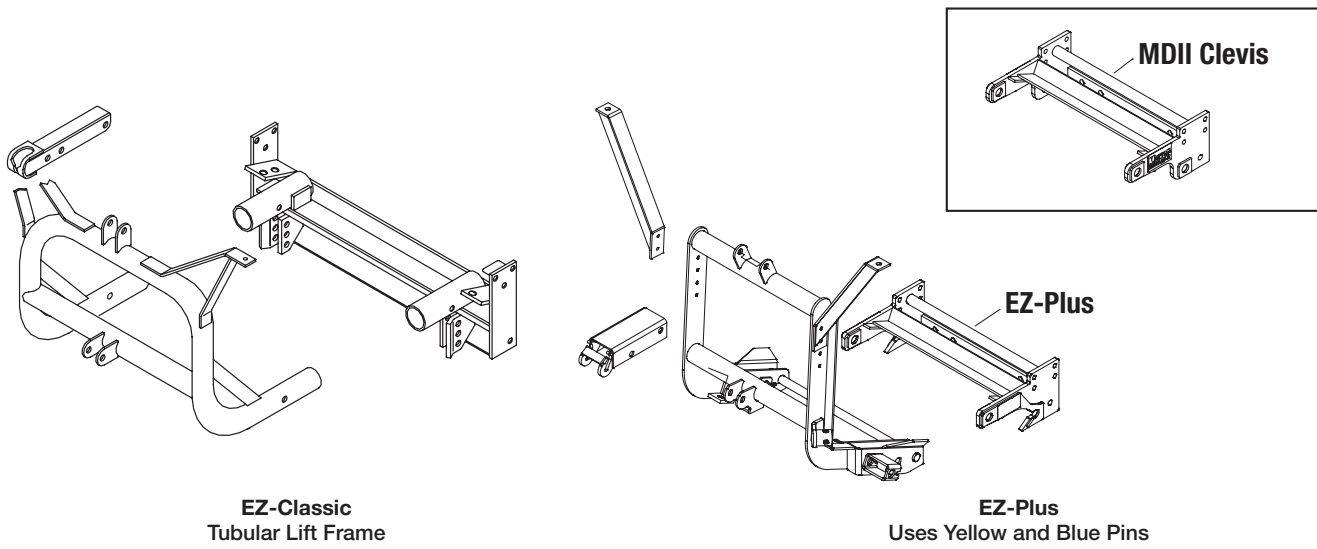


Mount & Lift Frame Identification

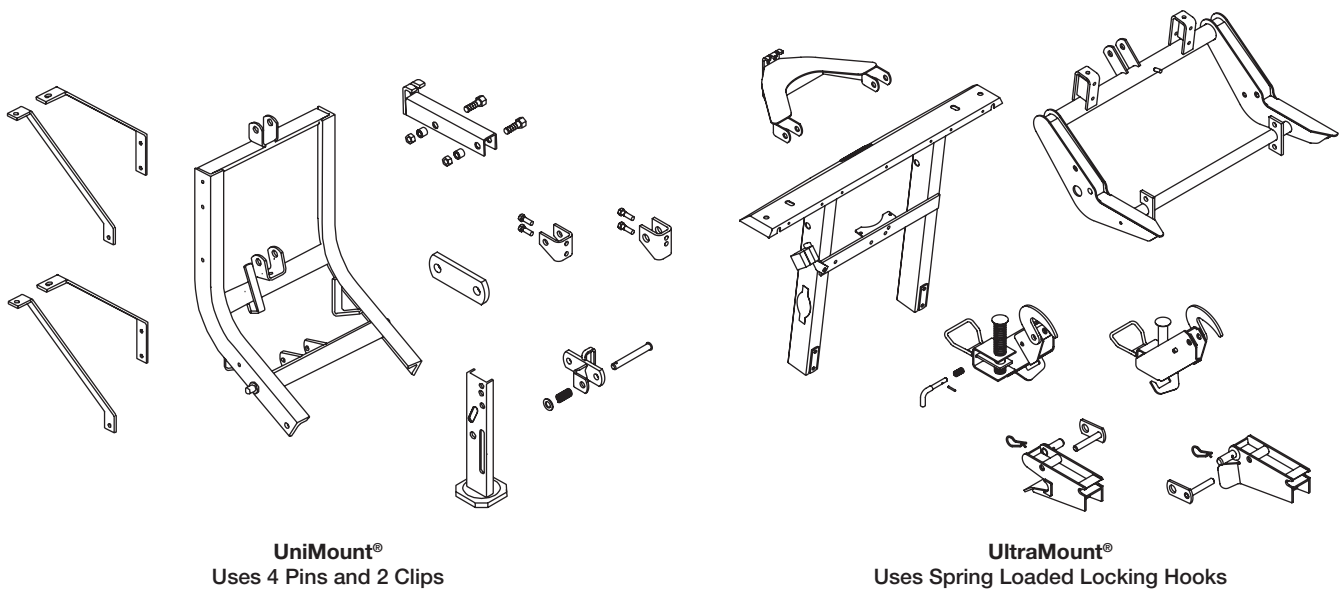
BOSS®



MEYER®



WESTERN®



SnowDogg® Snow Plow Replacement Parts - MD Series

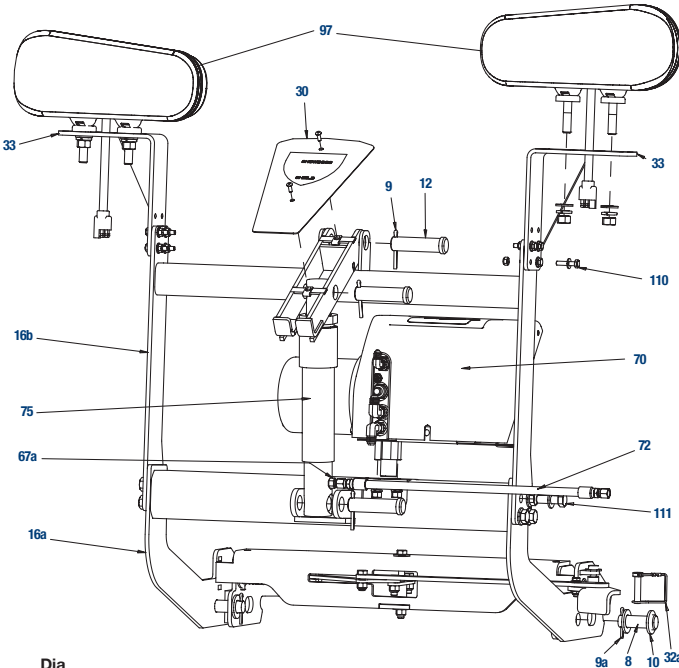
SnowDogg®

STRAIGHT PLOW

Dia No	Part No	Description
-	PLOW-MD68	Buyers 6.8 MD Stainless Straight Plow
-	PLOW-MD75	Buyers 7.5 MD Stainless Straight Plow
-	PLOW-MD80	Buyers 8.0 MD Stainless Straight Plow

LIFT FRAME

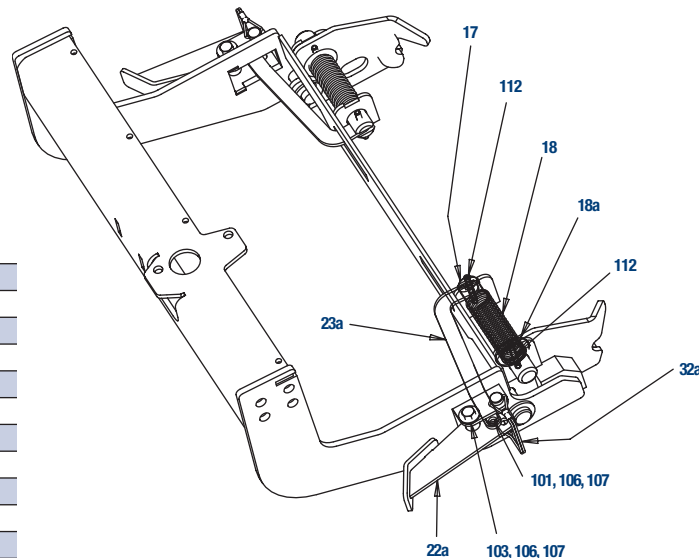
Dia No	Part No	Description
8	16102110	Clevis Pin, 3/4" x 2-1/8"
9	16102102	Cotter Pin, 3/16" x 2"
9a	16102112	Cotter Pin, 5/32" x 1-1/2"
10	16101164	Washers, 3/4"
12	16102142	Clevis Pin Kit, 7/8"x 3-1/4"
16a	16110120	Lower Lift Frame, Assembled w/ Linkages, MD
16a	16112120	Lift Frame, Lower Weldment, MD
16b	16112110	Lift Frame, Upper Weldment, MD
30	16111406	Chain Lift Fastener Kit
30	16112400	Chain Lift Arm, MD (assembled)
30	16112402	Chain Lift Cover only, w/ screws
32a	16111124	Snapper Pin, 2-1/2"
33	16112530	Bracket, Light MD
67a	16151325	Fitting, Cyl Lift Port
70	16152100	Cover, HPU
70	16160400	Harness, Plow Control
70	16160402	Spring Cage (Kit of 2), Power Terminals
72	16153100	Hose, Lift (1/4"x 18")
75	16154212	Packing Kit, 1-1/2" w/ Wiper Seal
75	16154214	Gland Nut, 1-1/2" w/ Wiper Seal
75	16154220	Cylinder, Lift (1-1/2" x 6")
87	16160400	Harness, Plow Control
87	16160402	Spring Cage (Kit of 2), Power Terminals
87	16160512	Cap, 16160200/16160400
97	16160700	Light, Plow, Pair
97	16160710	Light, Plow, DS
97	16160712	Light Housing Only , DS
97	16160720	Light, Plow, PS
97	16160722	Light, Housing Only, PS
97	16160730	Hardware Kit, Light Mounting (1 set)



Dia No	Part No	Description
97	16160732	Seal, Light Lens to Housing
97	16160734	Harness, Light Internal
97	16160740	Bulb, H1 High Beam
97	16160742	Bulb, H7 Low Beam
97	16160744	Bulb, Park/ Turn, Amber
110	16111512	Light Bracket Fastener Kit (8 Screws/Washers/Nuts)
111	16101012	Lift Frame Upper/Lower Fastener Kit , MD

LINKAGE DETAIL

Dia No	Part No	Description
17	16112102	Pin, Mount Locking, MD
18	16112104	Spring, Mount Locking Pin, MD
18a	16102104	Washer, 1"
22a	16111113	Foot Pedal, Dual, MD/VMD only
23a	16111111	Linkage, Dual Pedal, MD
32a	16111124	Snapper Pin, 2-1/2"
101	16101001	Screw, Cap, 3/8-16" x 1.00" SST
103	16101003	Screw, Cap, 3/16-16" x 3.00 ZN
106	16101006	Nut, Nylock 3/8-16" SST
107	16101007	Washer, Flat 3/8" SST
112	16111118	Roll Pin, 1/4"x 2.00"

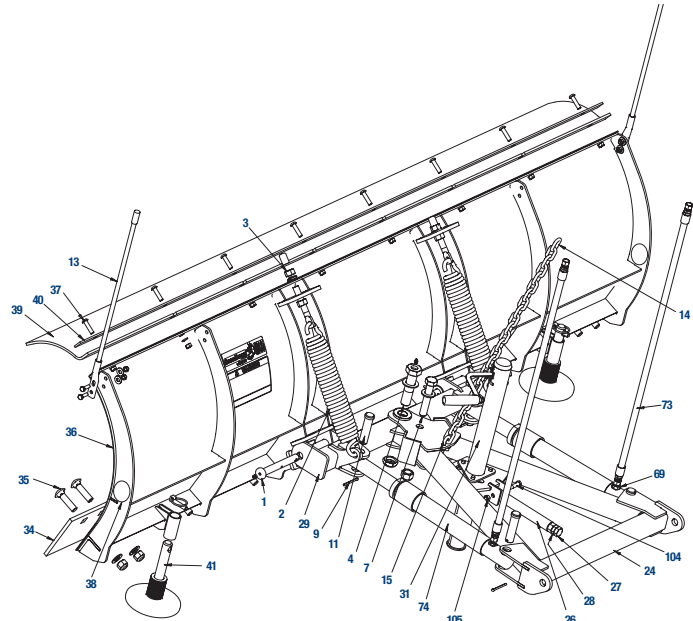


SnowDogg® Snow Plow Replacement Parts - MD Series

SnowDogg®

MOLDBOARD

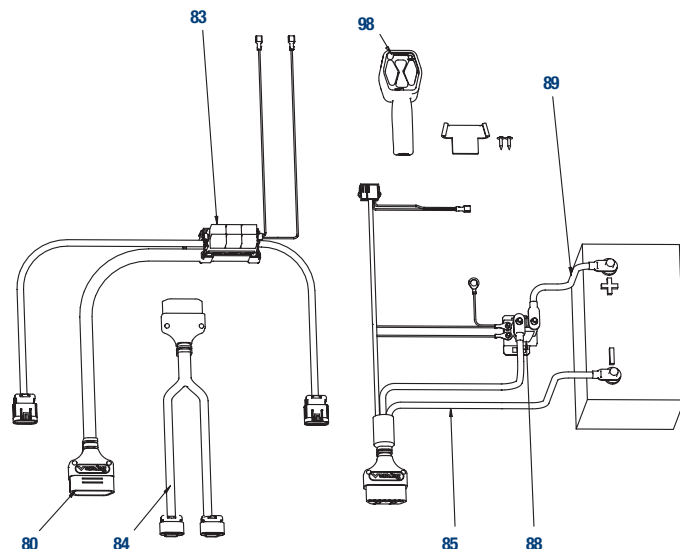
Dia No	Part No	Description
1	1610110A	Pin, Trip, MD (Pair)
2	16101200	Spring, Trip
3	16101220	Spring Mount Eye Bolt Kit , MD (set of 2)
4	16101150	Bolt, Pivot w/ grease fitting , MD
4	16101152	Nut, Pivot Bolt, MD
4	16101515	Grease Fitting, Press
4	16101516	Grease Fitting, 1/4-28 Threaded
4	16102104	Washer, 1"
7	16101160	Bolt, Angle Stop, MD
7	16101162	Nut, Angle Stop, MD
7	16101164	Washer, 3/4"
9	16102102	Cotter Pin, 3/16" x 2"
11	16102142	Clevis Pin Kit, 7/8" x 3-1/4"
13	16122100	Blade Guide Assembly (pr)
14	16103000	Chain, Lift
15	16103020	U-Bolt Kit, Lift Chain w/ nuts
24	16112200	A-Frame, MD
26	16111210	Prop Stand Assembly with Lift Bolt & Nut
27	16111212	Bolt, Prop Stand
28	16111214	Nut, Jam 5/8-11
29	16112300	Sector, MD
31	16111310	Jack, A-Frame
31	16111312	Cap for Jack
34	16120510	Cutting Edge, MD68, 80" x 3/8"
34	16120520	Cutting Edge, MD/HD/TE/EX75, 90" x 3/8"
34	16120620	Cutting Edge, MD/HD/TE/EX80, 96" x 1/2"
34	16120705	Cutting Edge, Rubber, MD68, 90" x 1.5" x 8"
34	16120710	Cutting Edge, Rubber, MD/TE/HD/EX75, 90" x 1.5" x 8"
34	16120720	Cutting Edge, Rubber, MD/TE/HD/EX80, 96" x 1.5" x 8"
35	16120114	Cutting Edge Fastener Kit (set of 10)
35	16120116	Cutting Edge Fastener Kit, MD68
36	16121410	Skin, MD68, SST
36	16121420	Skin, MD75, SST
36	16121430	Skin, MD80, SST
37	16120110	Skin Fastener Kit (set of 10)
38	16120122	Cap, Crosstube, MD
39	16120157	Deflector, Rubber, MD/HD/TE/EX75, XP810
39	16120158	Deflector, Contoured, MD/HD/TE/EX80
39	16120159	Deflector, Rubber, MD/HD/TE/EX80



Dia No	Part No	Description
39	16121156	Deflector, Contoured, MD68
39	16121157	Deflector, Rubber, MD68
39	16121158	Deflector, Contoured, MD/HD/TE/EX75
40	16121256	Clamp Strip, MD68
40	16121258	Clamp Strip, MD75
41	16121120	Shoe, Washer (1/8")
41	16121140	Show, Linch Pin
41	16121350	Shoe Assembly, MD
69	16151324	Fitting, Mfd/Cyl Angle Straight
73	16153110	Hose, Angle (3/8" x 36")
74	16154120	Cylinder, Angle (1-1/2" x 10")
74	16154212	Packing Kit, 1-1/2", w/ Wiper Seal
74	16154214	Gland Nut, 1-1/2", w/ Wiper Seal
104	16101004	Screw, Cap, 3/8-16" x 2.00" ZN
105	16101005	Nut, Nylock 3/8-16

HARNESS

Dia No	Part No	Description
80	16160100	Harness, Truck Relay
80	16160110	Repair Connector, 16160100 Grill Connector
80	16160112	Repair Connector, 16160100 Adapter Connector
80	16160116	Plate, Mounting, Relay Harness
80	16160510	Cap, 16160100/16160300
83	16160114	Relay, Light, Individual
84	16160200	Harness, Plow, Light
84	16160512	Cap, 16160200/16160400
85	16160300	Harness, Truck Control
85	16160310	Repair Connector, 16160300 Grill Connector
85	16160510	Cap, 16160100/16160300
88	16160410	Relay, Motor
89	16160500	Cable, Battery
98	16160610	Harness, Controller Extension (36")
98	16160620	Mount Kit, SnowDogg™ Controller
98	16160600	Controller, Straight Blade



SnowDogg® VMD Snowplow Replacement Parts

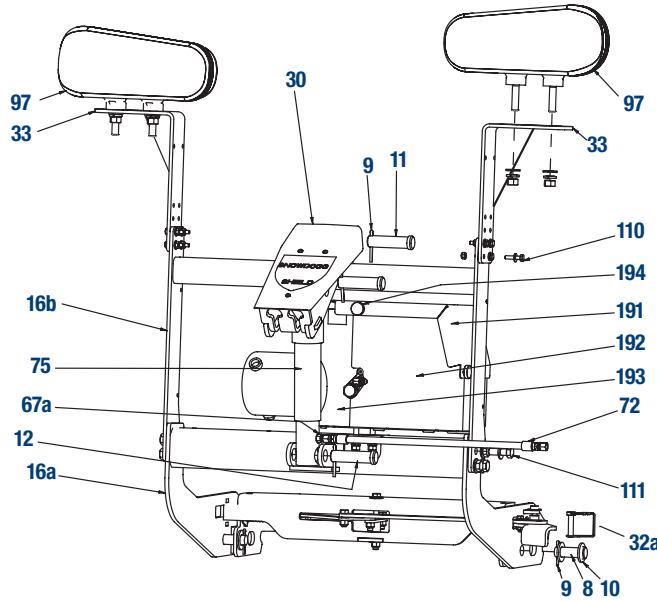
SnowDogg®

V-PLOW

Part No	Description
PLOW-VMD75	Buyers 7.5 VMD (Flat Top) Stainless V-Plow

LIFT FRAME

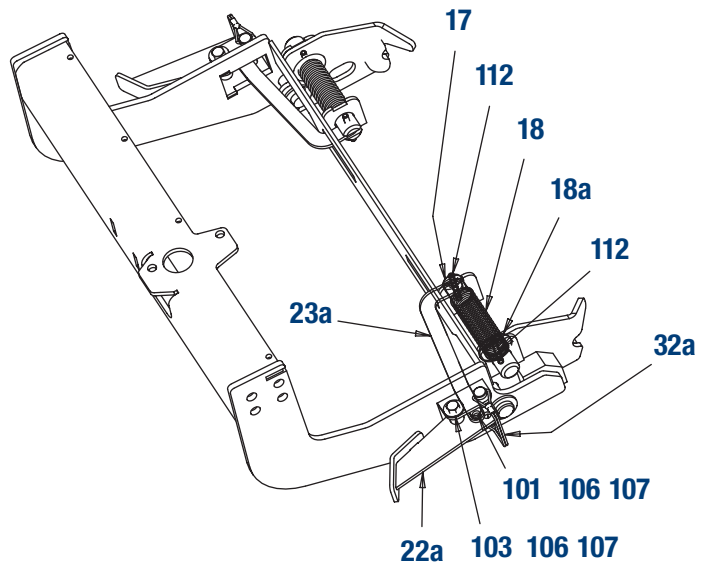
Dia No	Part No	Description
8	16102110	Clevis Pin, 3/4" x 2-1/8"
9	16102102	Cotter Pin, 3/16" x 2"
9a	16102112	Cotter Pin, 5/32" x 1-1/2"
10	16102104	Washer, 1"
11	16102122	Clevis Pin Kit, 7/8" x 4"
12	16102142	Clevis Pin Kit, 7/8" x 3-1/4"
16a	16110120	Lower Lift Frame, Assembled w/Linkages, MD
16a	16112120	Lift Frame, Lower Weldment, MD
16b	16112110	Lift Frame, Upper Weldment, MD
30	16111400	Chain Lift Arm (Assembled)
30	16111402	Chain Lift Cover, w/Screws
30	16111406	Chain Lift Fastener Kit
32a	16111124	Snapper Pin, 2-1/2"
33	16112530	Bracket, Light, MD
67a	16151325	Fitting, Cylinder Lift Port
72	16153100	Hose, Lift (1/4" x 18")
75	16154212	Packing Kit, 1-1/2" w/Wiper Seal
75	16154214	Gland Nut, 1-1/2" w/Wiper Seal
75	16154220	Cylinder, Lift (1-1/2" x 6")
97	16160700	Light, Plow, Pair
97	16160710	Light, Plow, DS
97	16160712	Light Housing Only, DS
97	16160720	Light, Plow, PS
97	16160722	Light Housing Only, PS
97	16160730	Hardware Kit, Light Mounting (1 set)
97	16160732	Seal, Light Lens to Housing
97	16160734	Harness, Light Internal
97	16160740	Bulb, H1 High Beam
97	16160742	Bulb, H7 Low Beam



Dia No	Part No	Description
97	16160744	Bulb, Park/Turn, Amber
110	16111512	Light Bracket Fastener Kit (8 Screws/Washers/Nuts)
111	16101012	Lift Frame Upper/Lower Fastener Kit, VMD
191	16152120	Cover, Top, HV600 HPU
192	16152122	Cover, DS Front, V
193	16152124	Cover, PS Front, V
194	16152126	Screw, Thumb, HPU Cover

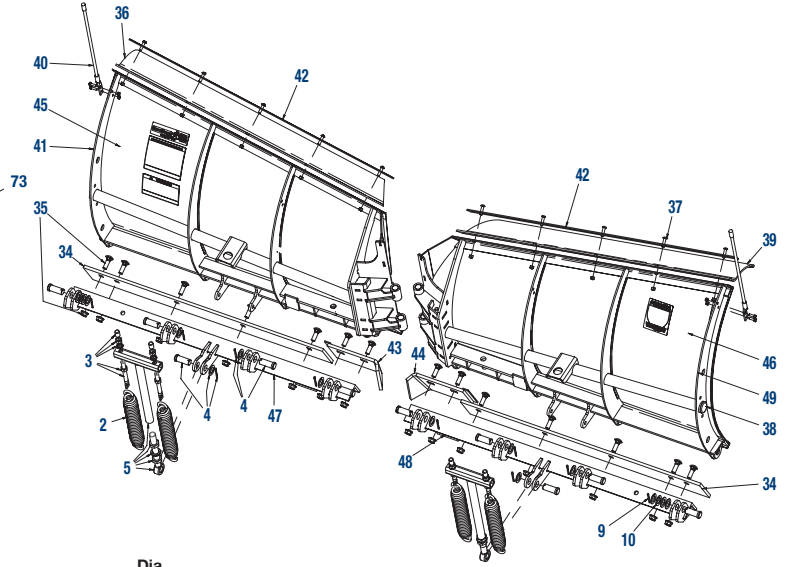
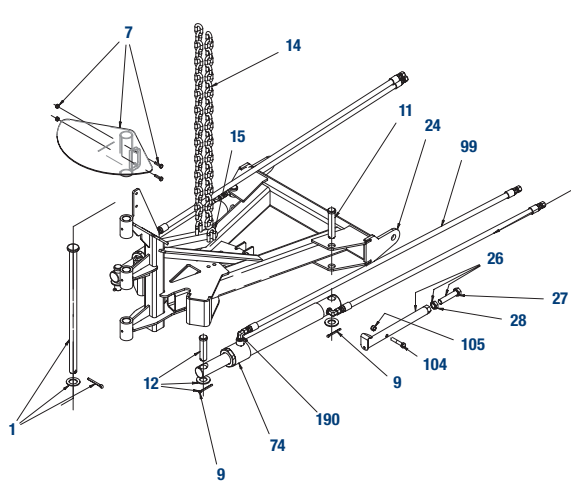
LINKAGE DETAIL

Dia No	Part No	Description
17	16112102	Pin, Mount Locking, MD
18	16112104	Spring, Mount Locking Pin, MD
18a	16102104	Washer, 1"
22a	16111113	Foot Pedal, Dual, MD/VMD Only
23a	16111111	Linkage, Dual Pedal, MD
32a	16111124	Snapper Pin, 2-1/2"
101	16101001	Screw, Cap, 3/8-16 x 1" SST
103	16101003	Screw, Cap, 3/8-16 x 3" ZN
106	16101006	Nut, Nylock 3/8-16 SST
107	16101007	Washer, Flat 3/8" SST
112	16111118	Roll Pin, 1/4" x 2"



SnowDogg® Snow Plow Replacement Parts - VMD Series

A-FRAME & MOLDBOARD

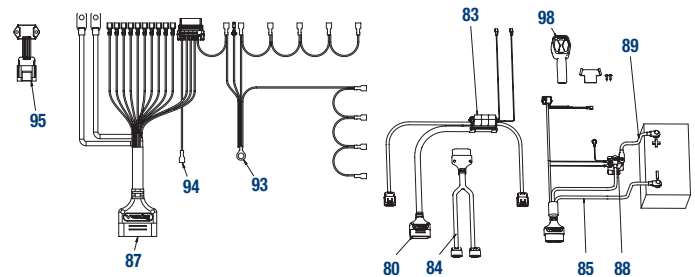


Dia No	Part No	Description
1	16101130	Pin, Hinge, V
2	16101200	Spring, Trip
3	16101210	Spring Mount Eye Bolt Kit (Set of 4)
4	16102144	Clevis Pin Kit, Trip Angle
5	16120190	T-Bar Kit, Trip Spring
7	16113262	Cover Kit, VMD Moldboard Hinge
9	16102102	Cotter Pin, 3/16" x 2"
10	16102104	Washer, 1"
11	16102122	Clevis Pin Kit, 7/8" x 4"
12	16102142	Clevis Pin Kit, 7/8" x 3-1/4"
14	16103000	Chain, Lift
15	16103020	U-Bolt Kit, Lift Chain w/Nuts
24	16113220	A-Frame, VMD
26	16111210	Prop Stand Assembly with Lift Bolt & Nut
27	16111212	Bolt, Prop Stand
28	16111214	Nut, Jam 5/8-11
34	16120820	Cutting Edge, 34" x 3/8", VMD75
35	16120114	Cutting Edge Fastener Kit (Set of 10)
36	16120167	Deflector, Contoured, DS VMD75
37	16120110	Skin Fastener Kit (Set of 10)
38	16120120	Cap, Cross Tube

Dia No	Part No	Description
39	16120168	Deflector, Contoured, PS VMD75
40	161222100	Blade Guide Assembly (Pair)
41	16122220	Moldboard Weldment, DS (VMD75)
42	16120268	Clamp Strip, VMD75
43	16120840	Cutting Edge, DS Center
44	16120850	Cutting Edge, PS Center
45	16121710	Skin, DS, VMD75, SST
46	16121712	Skin, PS, VMD75, SST
47	16122224	Trip Angle Weldment, DS (VMD75)
48	16122226	Trip Angle Weldment, PS (VMD75)
49	16122222	Moldboard Weldment, PS (VMD75)
73	16153110	Hose, Angle (3/8" x 36")
74	16154300	Cylinder, Double Acting (1-1/2" x 12")
74	16154302	Seal Kit for 16154300 Cylinder
99	16153120	Hose, Angle Cylinder Retract (3/8" x 48")
104	16101004	Screw, Cap, 3/8-16 x 2" ZN
105	16101005	Nut, Nylock 3/8-16
190	16152346	Fitting, Elbow, 3/8" JCM/F
N/I	16111310	Jack, A-Frame
N/I	16111312	Cap for Jack

HARNESS

Dia No	Part No	Description
80	16160100	Harness, Truck Relay
80	16160110	Repair Connector, 16160100 Grill Connector
80	16160112	Repair Connector, 16160100 Adapter Connector
80	16160116	Plate, Mounting, Relay Harness
80	16160510	Cap, 16160100/16160300
83	16160114	Relay, Light, Individual
84	16160200	Harness, Plow, Light
84	16160512	Cap, 16160200/16160400
85	16160300	Harness, Truck Control
85	16160310	Repair Connector, 1610300 Grill Connector
85	16160510	Cap, 16160100/16160300
87	16160402	Spring Cage (Kit of 2), Power Terminals
87	16160512	Cap, 16160200/16160400
87	16161400B	Harness, Plow Control VX Complete
88	16160410	Relay, Motor
89	16160500	Cable, Battery



Dia No	Part No	Description
93	16161420B	Harness, Plow Control VX Ground Only
94	16161430	Harness, Plow Control VX S8 Only
95	16160448	Relay Module
98	16160610	Harness, Controller Extension (36")
98	16160620	Mount Kit, SnowDogg™ Controller
98	16161600	Controller, V-Plow

SnowDogg®

SnowDogg® Snow Plow Replacement Parts - HD/EX Series

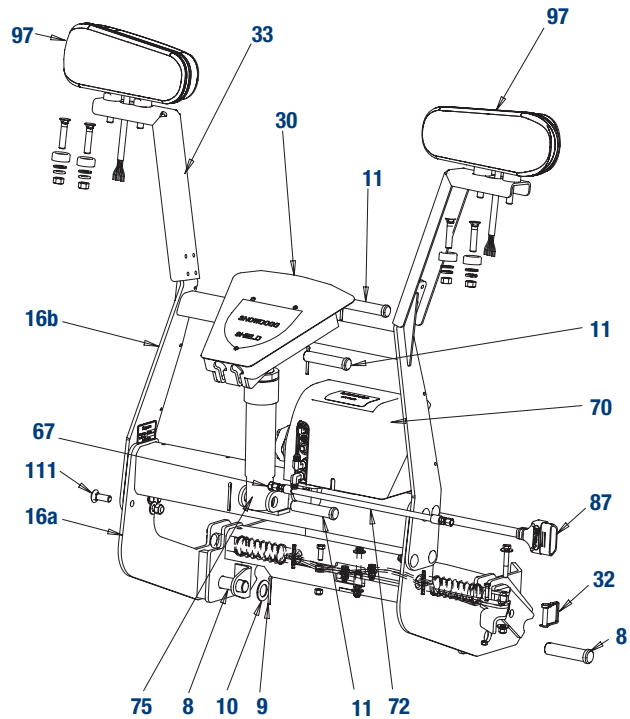
SnowDogg®

STRAIGHT PLOW

Part No	Description
PLOW-HD75	Buyers 7.5 HD Stainless Straight Plow
PLOW-HD80	Buyers 8.0 HD Stainless Straight Plow
PLOW-EX75	Buyers 7.5 EX Stainless Straight Plow
PLOW-EX80	Buyers 8.0 EX Stainless Straight Plow
PLOW-EX85	Buyers 8.5 EX Stainless Straight Plow
PLOW-EX90	Buyers 9.0 EX Stainless Straight Plow

LIFT FRAME

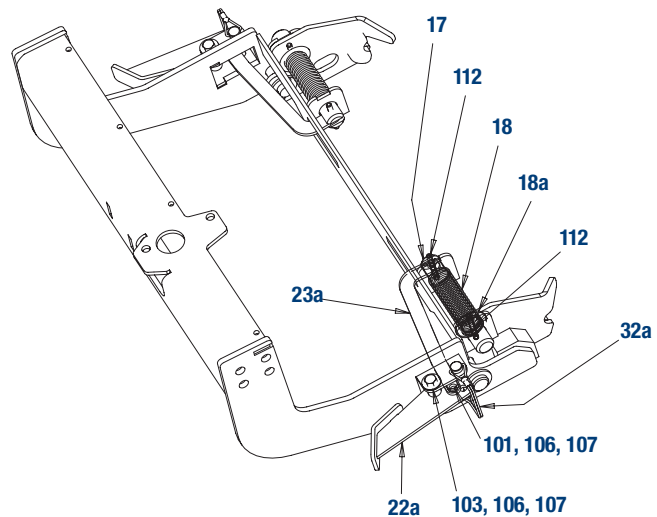
Dia No	Part No	Description
8	16102100	Clevis Pin, 1" x 4"
9	16102102	Cotter Pin, 3/16" x 2"
10	16102104	Washer, 1"
11	16102122	Clevis Pin Kit, 7/8" x 4"
16a	16110100	Lower Lift Frame, Assembled w/ Linkages
16a	16111612	Lift Frame, Lower Weldment
16b	16111620	Lift Frame, Upper Weldment
30	16111400	Chain Lift Arm (assembled)
30	16111402	Chain Lift Cover, w/ screws
30	16111406	Chain Lift Fastener Kit
32	16111120	Snapper Pin, 1-5/8"
32	16111124	Snapper Pin, 2-1/2"
33	16111510	Bracket, Light
67a	16151325	Fitting, Cyl Lift Port
70	16152100	Cover, HPU
72	16153100	Hose, Lift (1/4" x 18")
75	16154200	Cylinder, Lift (2" x 6")
75	16154202	Packing Kit, 2", w/ Wiper Seal
75	16154204	Gland Nut, 2", w/ Wiper Seal
87	16160400	Harness, Plow Control
87	16160402	Spring Cage (Kit of 2), Power Terminals
87	16160512	Cap, 16160200/16160400
97	16160700	Light, Plow, Pair
97	16160710	Light, Plow, DS
97	16160712	Light Housing Only, DS
97	16160720	Light, Plow, PS
97	16160722	Light Housing Only, PS
97	16160730	Hardware Kit, Light Mounting (1 set)
97	16160732	Seal, Light Lens to Housing



Dia No	Part No	Description
97	16160734	Harness, Light Internal
97	16160740	Bulb, H1 High Beam
97	16160742	Bulb, H7 Low Beam
111	16111512	Lift Frame Upper/Lower Fastener Kit
N/I	16160744	Light Bracket Fastener Kit (8 Screws/Washers/Nuts)

LINKAGE DETAIL

Dia No	Part No	Description
17	16111102	Pin, Mount Locking
18	16111104	Spring, Mount Locking Pin
18a	16111116	Washer, Flat
22a	16111117	Foot Pedal, Dual
23a	16111115	Linkage, Dual Pedal
32a	16111124	Snapper Pin, 2-1/2"
101	16101001	Screw, Cap, 3/8-16 x 1.00" SST
103	16101003	Screw, Cap, 3/8-16 x 3.00" ZN
106	16101006	Nut, Nylock 3/8-16 SST
107	16101007	Washer, Flat 3/8 SST
112	16111118	Roll Pin, 1/4 x 2.00"

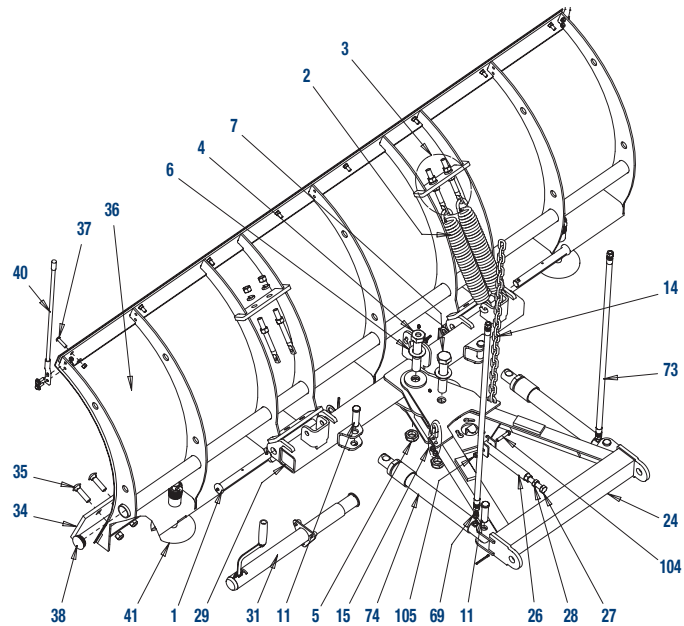


SnowDogg® Snow Plow Replacement Parts - HD/EX Series

SnowDogg®

A-FRAME & MOLDBOARD

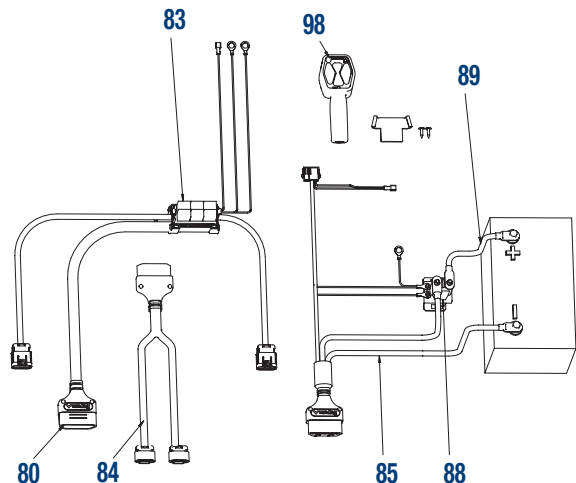
Dia No	Part No	Description
1	16101100	Pin, Trip, HD/EX/XP (Pair)
1	16101516	Grease Fitting, 1/4-28" Threaded
2	16101200	Spring, Trip
3	16101210	Spring Mount Eye Bolt Kit (set of 4)
4	16101120	Bolt, Pivot w/ grease fitting, HD/EX/TE/XP
4	16101515	Grease Fitting, Press
4	16101516	Grease Fitting, 1/4-28" Threaded
5	16101122	Nut, Pivot/Angle Stop Bolt
6	16101124	Washer, Pivot/Angle Stop Bolt
7	16101140	Bolt, Angle Stop
11	16102142	Clevis Pin Kit , 7/8" x 3-1/4"
14	16103000	Chain, Lift
15	16103020	U-Bolt Kit, Lift Chain w/ nuts
24	16101515	Grease Fitting, Press
24	16111200	A-Frame, HD/EX/TE/XP
26	16111210	Prop Stand Assembly (with lift bolt/nut)
27	16111212	Bolt, Prop Stand
28	16111214	Nut, Jam 5/8-11"
29	16111300	Sector, HD/EX/XP
31	16111310	Jack, A-Frame
31	16111312	Cap for jack
34	16120520	Cutting Edge, MD/HD/TE/EX75, 90" x 3/8"
34	16120530	Cutting Edge, MD/HD/TE/EX80, 96" x 3/8"
34	16120610	Cutting Edge, MD/HD/TE/EX75, 90" x 1/2"
34	16120620	Cutting Edge, MD/HD/TE/EX80, 96" x 1/2"
34	16120630	Cutting Edge, EX85, 102" x 1/2"
34	16120640	Cutting Edge, TE/EX90, 108" x 1/2"
34	16120710	Cutting Edge, Rubber, MD/TE/HD/EX75, 90" x 1.5" x 8"
34	16120720	Cutting Edge, Rubber, MD/HD/TE/EX80, 96" x 1.5" x 8"
34	16120730	Cutting Edge, Rubber, EX85, 1.5" x 8.0"
34	16120740	Cutting Edge, Rubber, TE/EX90, 1.5" x 8.0"
35	16120114	Cutting Edge Fastener Kit (set of 10)
36	16121520	Skin, HD75, SST
36	16121530	Skin, HD80, SST
36	16121610	Skin, EX75, SST
36	16121620	Skin, EX80, SST
36	16121630	Skin, EX85, SST
36	16121640	Skin, EX90, SST
37	16120110	Skin Fastener Kit (set of 10)
38	16120120	Cap, Crosstube
40	16122100	Blade Guide Assembly (pr)
41	16121100	Shoe Assembly
41	16121120	Show, Washer (1/8")
41	16121140	Shoe, Linch Pin
69	16151324	Fitting, Mfd/Cyl Angle Straight



Dia No	Part No	Description
73	16153110	Hose, Angle (3/8" x 36")
74	16154100	Cylinder, Angle (1-1/2" x 12")
74	16154212	Packing Kit, 1-1/2", w/ Wiper Seal
74	16154214	Gland Nut, 1-1/2", w/ Wiper Seal
104	16101004	Screw, Cap, 3/8-16" x 2.00" ZN
105	16101005	Nut, Nylock 3/8-16"
N/I	16120156	Deflector, Contoured HD/EX/TE75
N/I	16120157	Deflector, Rubber, MD/HD/TE/EX75, XP810
N/I	16120158	Deflector, Contoured HD/EX/TE80
N/I	16120159	Deflector, Rubber, MD/HD/TE/EX80
N/I	16120160	Deflector, Contoured, EX85
N/I	16120161	Deflector, Rubber, EX85
N/I	16120162	Deflector, Contoured, TE/EX90
N/I	16120163	Deflector, Rubber, TE/EX90
N/I	16120256	Clamp Strip, HD75/EX75
N/I	16120258	Clamp Strip, HD/TE/EX80
N/I	16120260	Clamp Strip, EX85
N/I	16120262	Clamp Strip TE/EX90

HARNESS

Dia No	Part No	Description
80	16160100	Harness, Truck Relay
80	16160110	Repair Connector, 16160100 Grill Connector
80	16160112	Repair Connector, 16160100 Adapter Connector
80	16160116	Plate, Mounting, Relay Harness
80	16160510	Cap, 16160100/16160300
83	16160114	Relay, Light, Individual
84	16160200	Harness, Plow Light
84	16160512	Cap, 16160200/16160300 Grill Connector
85	16160300	Harness, Truck Control
85	16160310	Repair Connector, 16160300 Grill Connector
85	16160510	Cap, 16160100/16160300
88	16160410	Relay, Motor
89	16160500	Cable, Battery
98	16160600	Controller, Straight Blade
98	16160610	Harness, Controller Extension (36")
98	16160620	Mount Kit, SnowDogg Controller



SnowDogg® Snow Plow Replacement Parts - TE Series

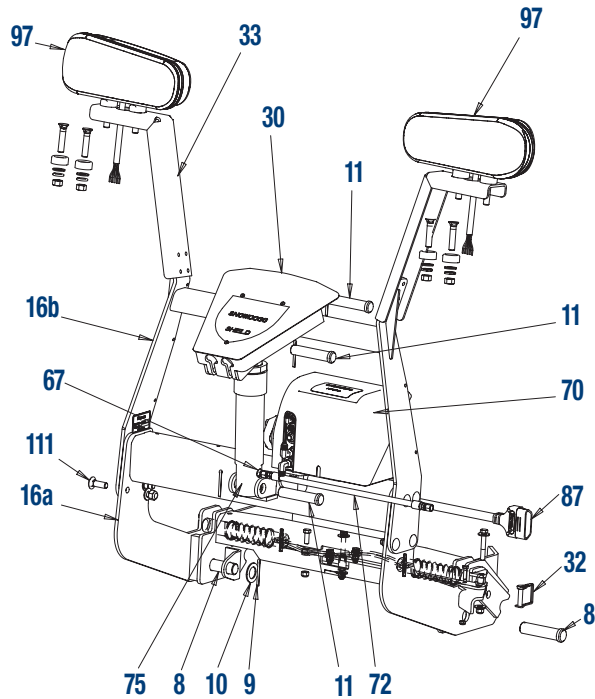
SnowDogg®

STRAIGHT PLOW

Part No	Description
PLOW-TE75	Buyers 7.5 TE Stainless Straight Plow
PLOW-TE80	Buyers 8.0 TE Stainless Straight Plow
PLOW-TE90	Buyers 9.0 TE Stainless Straight Plow

LIFT FRAME

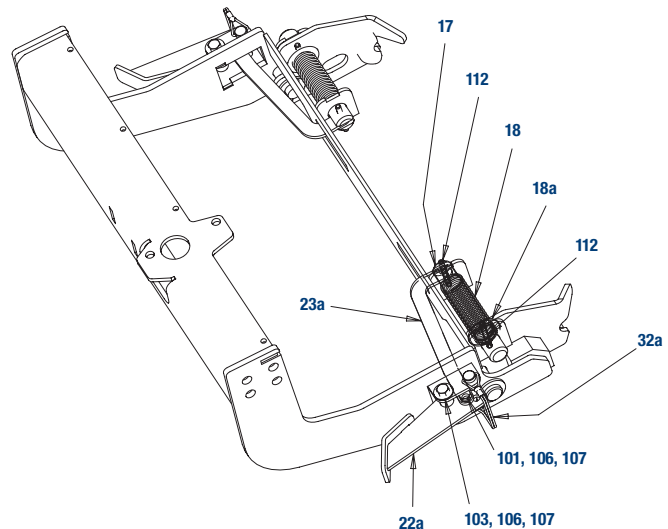
Dia No	Part No	Description
8	16102100	Clevis Pin, 1" x 4"
9	16102102	Cotter Pin, 3/16" x 2"
10	16102104	Washer, 1"
11	16102122	Clevis Pin, 7/8" x 4"
16a	16110100	Lower Lift Frame, Assembled w/Linkages
16a	16111612	Lift Frame, Lower Weldment
16b	16111620	Lift Frame, Upper Weldment
30	16111400	Chain Lift Arm (Assembled)
30	16111402	Chain Lift Cover, w/Screws
30	16111406	Chain Lift Fastener Kit
32	16111120	Snapper Pin, 1-5/8"
32	16111124	Snapper Pin, 2-1/2"
33	16111510	Bracket, Light
67	16151325	Fitting, Cylinder Lift Port
70	16152100	Cover, HPU
70	16160400	Harness, Plow Control
70	16160402	Spring Cage (Kit of 2), Power Terminals
72	16153100	Hose, Lift (1/4" x 18")
75	16154200	Cylinder, Lift (2" x 6")
75	16154202	Packing Kit, 2" w/Wiper Seal
75	16154204	Gland Nut, 2", w/Wiper Seal
87	16160400	Harness, Plow Control
87	16160402	Spring Cage (Kit of 2), Power Terminals
87	16160512	Cap, 16160200/16160400
97	16160700	Light, Plow, Pair
97	16160710	Light, Plow, DS
97	16160712	Light Housing Only, DS
97	16160720	Light, Plow, PS
97	16160722	Light Housing Only, PS
97	16160730	Hardware Kit, Light Mounting (1 Set)
97	16160732	Seal, Light Lens to Housing
97	16160734	Harness, Light Internal



Dia No	Part No	Description
97	16160740	Bulb, H1 High Beam
97	16160742	Bulb, H7 Low Beam
97	16160744	Bulb, Park/Turn, Amber
111	16101014	Lift Frame Upper/Lower Fastener Kit
N/1	16111512	Light Bracket Fastener Kit (8 Screws/Washers/Nuts)

LINKAGE DETAIL

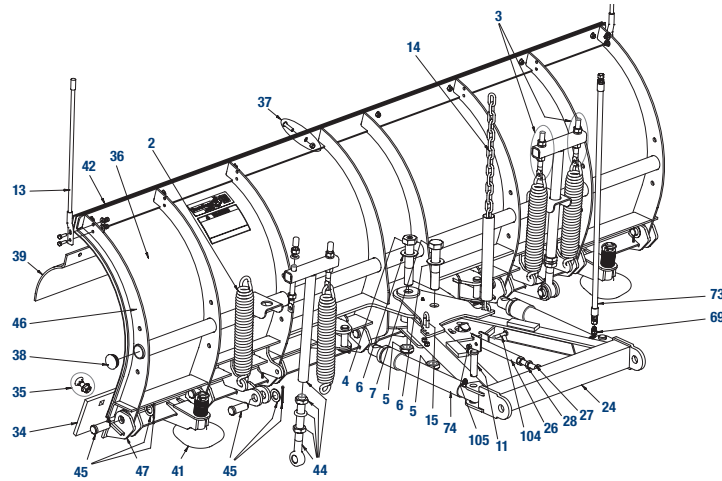
Dia No	Part No	Description
17	16111102	Pin, Mounting Locking
18	16111104	Spring, Mount Locking Pin
18a	16111116	Washer, Flat
22a	16111117	Foot Pedal, Dual
23a	16111115	Linkage, Dual Pedal
32a	16111124	Snapper Pin, 2-1/2"
101	16101001	Screw, Cap, 3/8-16 x 1" SST
103	16101003	Screw, Cap, 3/8-16 x 3" ZN
106	16101006	Nut, Nylock 3/8-16 SST
107	16101007	Washer, Flat 3/8" SST
112	16111118	Roll Pin, 1/4" x 2"



SnowDogg® Snow Plow Replacement Parts - TE Series

SnowDogg®

A-FRAME & MOLDBOARD

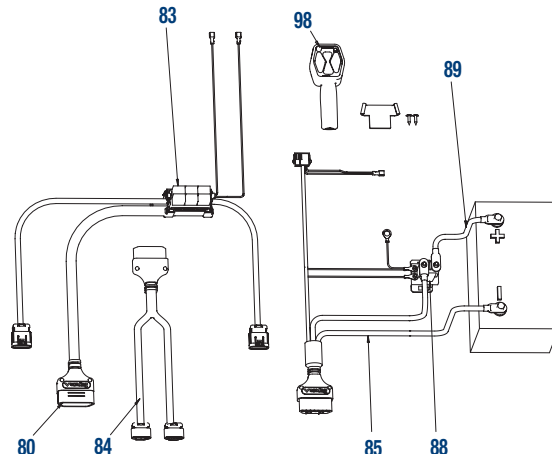


Dia No	Part No	Description
2	16101200	Spring , Trip
4	16101120	Bolt, Pivot w/Grease Fitting, HD/EX/TE/XP
5	16101122	Nut, Pivot/Angle Stop Bolt
6	16101124	Washer, Pivot/Angle Stop Bolt
7	16101140	Bolt, Angle Stop
11	16102142	Clevis Pin Kit, 7/8" x 3-1/4"
13	16122100	Blade Guide Assembly (Pair)
14	16103000	Chain, Lift
15	16103020	U-Bolt Kit, Lift Chain w/Nuts
24	16111200	A-Frame, HD/EX/TE/XP
26	16111210	Prop Stand Assembly (w/Lift Bolt/Nut)
27	16111212	Bolt, Prop Stand
28	16111214	Nut, Jam 5/8-11
34	16120520	Cutting Edge, MD/HD/TE/EX75, 90" x 3/8"
34	16120530	Cutting Edge, MD/HD/TE/EX80, 96" x 3/8"
34	16120610	Cutting Edge, MD/HD/TE/EX75, 90" x 1/2"
34	16120620	Cutting Edge, MD/HD/TE/EX80, 96" x 1/2"
34	16120640	Cutting Edge, TE/EX90, 108" x 1/2"
34	16120710	Cutting Edge, Rubber, MD/TE/HD/EX75, 90" x 1.5" x 8"
34	16120720	Cutting Edge, Rubber, MD/TE/HD/EX80, 96" x 1.5" x 8"
34	16120740	Cutting Edge, Rubber, TE/EX90, 1.5" x 8"
35	16120114	Cutting Edge Fastener Kit (Set of 10)
36	16121612	Skin, TE75, SST
36	16121614	Skin, TE80, SST
36	16121618	Skin, TE90, SST
37	16120110	Skin Fastener Kit, (Set of 10)
38	16120120	Cap, Cross Tube
41	16121100	Shoe Assembly

Dia No	Part No	Description
41	16121120	Shoe, Washer (1/8")
41	16121140	Shoe, Linch Pin
44	16120190	T-Bar Kit, Trip Spring
45	16102144	Clevis Pin Kit, Trip Angle/Spring
46	16122300	Moldboard Weldment, TE75
46	16122302	Moldboard Weldment, TE80
46	16122310	Moldboard Weldment, TE90
47	16122304	Trip Angle Weldment, TE75
47	16122306	Trip Angle Weldment, TE80
47	16122312	Trip Angle Weldment, TE90
69	16151324	Fitting, Mfd/Cylinder Angle Straight
73	16153110	Hose, Angle (3/8" x 36")
74	16154100	Cylinder, Angle (1-1/2" x 12")
74	16154212	Packing Kit, 1-1/2" w/Wiper Seal
74	16154214	Gland Nut, 1-1/2" w/Wiper Seal
104	16101004	Screw, Cap, 3/8-16 x 2" ZN
105	16101005	Nut, Nylock 3/8-16
N/I	16111310	Jack A-Frame
N/I	16111312	Cap for Jack
N/I	16120156	Deflector, Contoured HD/EX/TE75
N/I	16120157	Deflector, Rubber, MD/HD/TE/EX75, XF80
N/I	16120158	Deflector, Contoured, MD/HD/TE/EX80
N/I	16120159	Deflector, Rubber, MD/HD/TE/EX80
N/I	16120162	Deflector, Contoured TE/EX90
N/I	16120163	Deflector, Rubber, TE/EX90
N/I	16120256	Clamp Strip, HD75/EX75
N/I	16120258	Clamp Strip, HD/TE/EX80
N/I	16120262	Clamp Strip, TE/EX90

HARNESS

Dia No	Part No	Description
80	16160100	Harness, Truck Relay
80	16160110	Repair Connector, 16160100 Grill Connector
80	16160112	Repair Connector, 16160100 Adapter Connector
80	16160116	Plate, Mounting, Relay Harness
80	16160510	Cap, 16160100/16160300
83	16160114	Relay, Light, Individual
84	16160200	Harness, Plow Light
84	16160512	Cap, 16160200/16160400
85	16160300	Harness, Truck Control
85	16160310	Repair Connector, 16160300 Grill Connector
85	16160510	Cap, 16160100/16160300
88	16160410	Relay, Motor
89	16160500	Cable, Battery
98	16160600	Controller, Straight Blade
98	16160610	Harness, Controller Extension (36")
98	16160620	Mount Kit, SnowDogg™ Controller



SnowDogg® Snow Plow Replacement Parts - VX/VXF Series

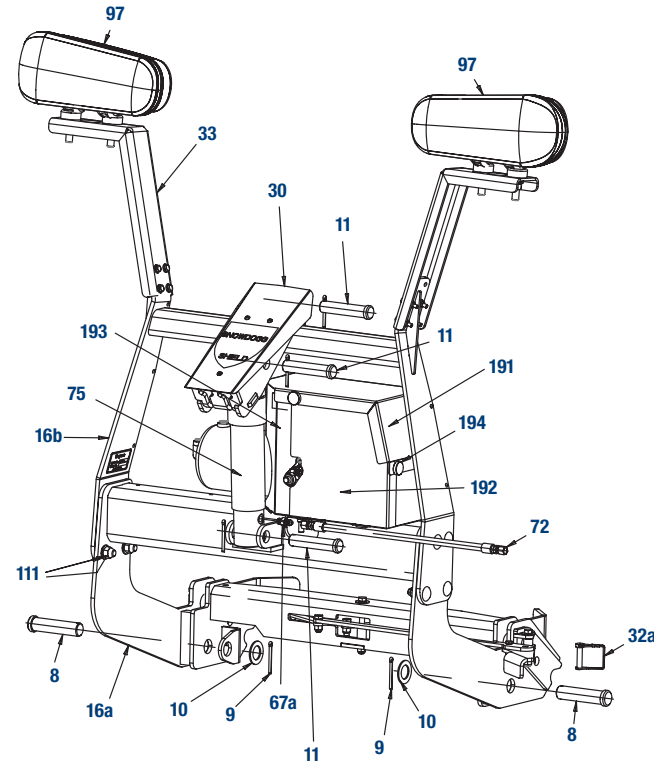
SnowDogg®

V-PLOW

Part No	Description
PLOW-VXF85	Buyers 8.5 VXF Stainless V-Plow (Flared)
PLOW-VXF95	Buyers 9.5 VXF Stainless V-Plow (Flared)

LIFT FRAME

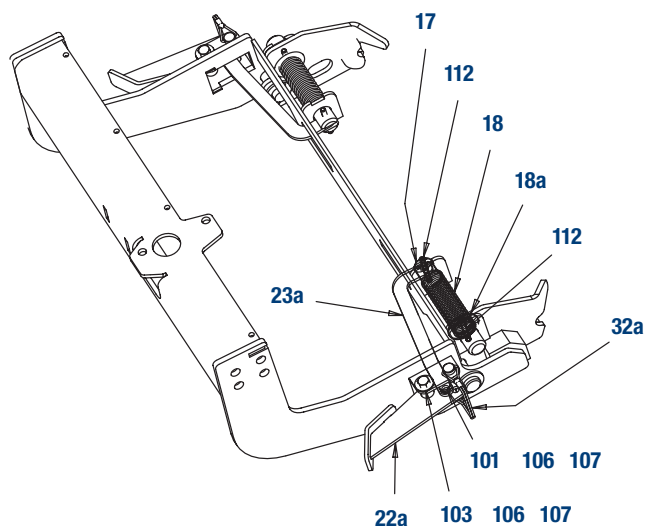
Dia No	Part No	Description
8	16102100	Clevis Pin, 1" x 4"
9	16102102	Cotter Pin, 3/16" x 2"
10	16102104	Washer, 1"
11	16102122	Clevis Pin Kit, 7/8" x 4"
16a	16110100	Lower Lift Frame, Assembled w/Linkages
16a	16111612	Lift Frame, Lower Weldment
16b	16111620	Lift Frame, Upper Weldment
30	16111400	Chain Lift Arm (Assembled)
30	16111402	Chain Lift Cover, w/Screws
30	16111406	Chain Lift Fastener Kit
32	16111120	Snapper Pin, 1-5/8"
32a	16111124	Snapper Pin, 2-1/2"
33	16111510	Bracket, Light
67a	16151325	Fitting, Cylinder Lift Port
72	16153100	Hose, Lift (1/4" x 18")
75	16154200	Cylinder, Lift (2" x 6")
75	16154202	Packing Kit, 2" w/Wiper Seal
75	16154204	Gland Nut, 2", w/Wiper Seal
97	16160700	Light, Plow, Pair
97	16160710	Light, Plow, DS
97	16160712	Light Housing Only, DS
97	16160720	Light, Plow, PS
97	16160722	Light Housing Only, PS
97	16160730	Hardware Kit, Light Mounting (1 Set)
97	16160732	Seal, Light Lens to Housing
97	16160734	Harness, Light Internal
97	16160740	Bulb, H1 High Beam
97	16160742	Bulb, H7 Low Beam
97	16160744	Bulb, Park/Turn, Amber
N/I	16111512	Light Bracket, Fastener Kit (8 Screws/Washers/Nuts)
111	16101014	Lift Frame Upper/Lower Fastener Kit
191	16152120	Cover, Top, HV600 HPU



Dia No	Part No	Description
192	16152122	Cover, DS Front, V
193	16152124	Cover, PS Front, V
194	16152126	Screw, Thumb, HPU cover

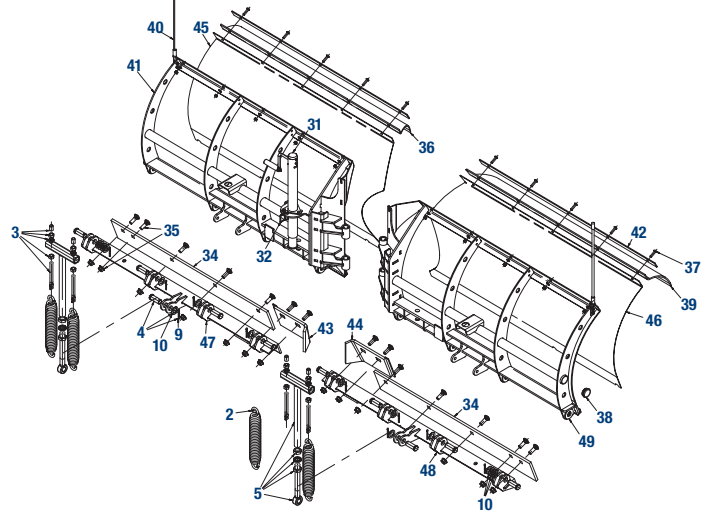
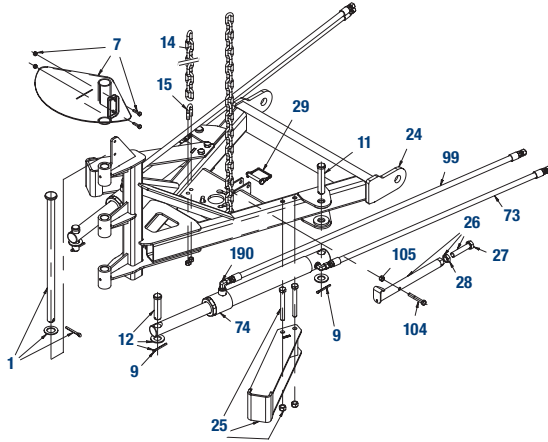
LINKAGE DETAIL

Dia No	Part No	Description
17	16111102	Pin, Mount Locking
18	16111104	Spring, Mount Locking Pin
18a	16111116	Washer, Flat
22a	16111117	Foot Pedal, Dual
23a	16111115	Linkage, Dual Pedal
32a	16111124	Snapper Pin, 2-1/2"
101	16101001	Screw, Cap, 3/8-16 x 1" SST
103	16101003	Screw, Cap, 3/8-16 x 3" ZN
106	16101006	Nut, Nylock 3/8-16 SST
107	16101007	Washer, Flat 3/8" SST
112	16111118	Roll Pin, 1/4" x 2"



SnowDogg® Snow Plow Replacement Parts - VX/VXF Series

A-FRAME & MOLDBOARD

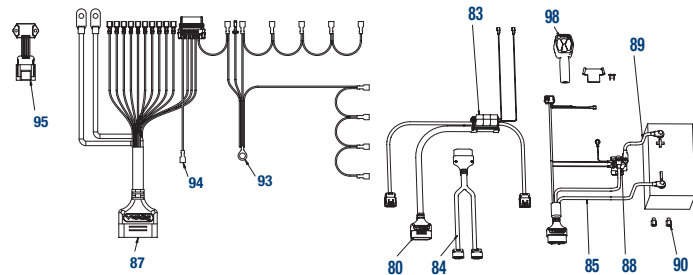


Dia No	Part No	Description
1	16101130	Pin, Hinge, V
2	16101200	Spring, Trip
3	16101210	Spring Mount Eye Bolt Kit (Set of 4)
4	16102144	Clevis Pin Kit, Trip Angle
5	16120190	T-Bar Kit, Trip Spring
7	16113260	Cover Kit, VX Moldboard Hinge
9	16102102	Cotter Pin, 3/16" x 2"
10	16102104	Washer, 1"
11	16102122	Clevis Pin Kit, 7/8" x 4"
12	16102142	Clevis Pin Kit, 7/8" x 3-1/4"
14	16103000	Chain, Lift
15	16103020	U-Bolt Kit, Lift Chain w/Nuts
24	16113200	A-Frame, VX
25	16113210	Angle Stop Assembly, w/Hardware
26	16111210	Prop Stand Assembly (w/Lift Bolt/Nut)
27	16111212	Bolt, Prop Stand
28	16111214	Nut, Jam 5/8-11
29	16111124	Snapper Pin, Prop Stand Lock
31	16111310	Jack, A-Frame
31	16111312	Cap for Jack
32	16111120	Snapper Pin, 1-5/8"
34	16120820	Cutting Edge, 40" x 1/2", VX85/VXF85
34	16120830	Cutting Edge, 46" x 1/2", VX95/VXF95
35	16120114	Cutting Edge Fastener Kit (Set of 10)
36	16120170	Deflector, Contoured, DS VX85
36	16120171	Deflector, Rubber, VX85
36	16120173	Deflector, Rubber, VX95
36	16120176	Deflector, Contoured, DS VX95
37	16120110	Skin Fastener Kit (Set of 10)
38	16120120	Cap, Cross Tube
39	16120171	Deflector, Rubber, VX85
39	16120172	Deflector, Contoured, PS VX85
39	16120173	Deflector, Rubber, VX95

Dia No	Part No	Description
39	16120178	Deflector, Contoured, PS VX95
40	16122100	Blade Guide Assembly (Pair)
41	16122200	Moldboard Weldment, DS (VX85)
41	16122201	Moldboard Weldment, DS (VXF85)
41	16122203	Moldboard Weldment, DS (VXF95)
42	16120270	Clamp Strip, VX85
42	16120272	Clamp Strip, VX95
43	16120840	Cutting Edge, DS Center
44	16120850	Cutting Edge, PS Center
45	16121720	Skin, DS, VX85, SST
45	16121730	Skin, DS, VX95, SST
45	16121721	Skin, DS, VXF85, SST
45	16121731	Skin, DS, VXF95, SST
46	16121722	Skin, PS, VX85, SST
46	16121732	Skin, PS, VX95, SST
46	16121723	Skin, PS, VXF85, SST
46	16121733	Skin, PS, VXF95, SST
47	16122230	Trip Angle Weldment, DS (VX85)
47	16122240	Trip Angle Weldment, DS (VX95)
48	16122232	Trip Angle Weldment, PS (VX85)
48	16122242	Trip Angle Weldment, PS (VX95)
49	16122202	Moldboard Weldment, PS (VX85)
49	16122212	Moldboard Weldment, PS (VX95)
49	16122211	Moldboard Weldment, PS (VXF85)
73	16153110	Hose, Angle (3/8" x 36")
74	16154300	Cylinder, Double Acting (1-1/2" x 12")
74	16154302	Seal Kit for Cylinder 16154300
99	16153120	Hose, Angle Cylinder Retract (3/8" x 48")
104	16101004	Screw, Cap, 3/8-16 x 2" ZN
105	16101005	Nut, Nylock 3/8-16
190	16152346	Fitting, Elbow, 3/8" JIC M/F

HARNESS

Dia No	Part No	Description
80	16160100	Harness, Truck Relay
80	16160110	Repair Connector, 16160100 Grill Connector
80	16160112	Repair Connector, 16160100 Adapter Connector
80	16160116	Plate, Mounting, Relay Harness
80	16160510	Cap, 16160100/16160300
83	16160114	Relay, Light, Individual
84	16160200	Harness, Plow Light
84	16160512	Cap, 16160200/16160400
85	16160300	Harness, Truck Control
85	16160310	Repair Connector, 16160300 Grill Connector
85	16160510	Cap, 16160100/16160300
87	16160402	Spring Cage (Kit of 2), Power Terminals
87	16160512	Cap, 16160200/16160400
87	16161400B	Harness, Plow Control VX Complete
88	16160410	Relay, Motor
89	16160500	Cable, Battery



Dia No	Part No	Description
93	16161420B	Harness, Plow Control VX Ground Only
94	16161430	Harness, Plow Control VX SB Only
95	16160448	Relay Module
98	16160610	Harness, Controller Extension (36")
98	16160620	Mount Kit, SnowDogg™ Controller
98	16161600	Controller, V-Plow

SnowDogg® Snow Plow Replacement Parts - XP Series

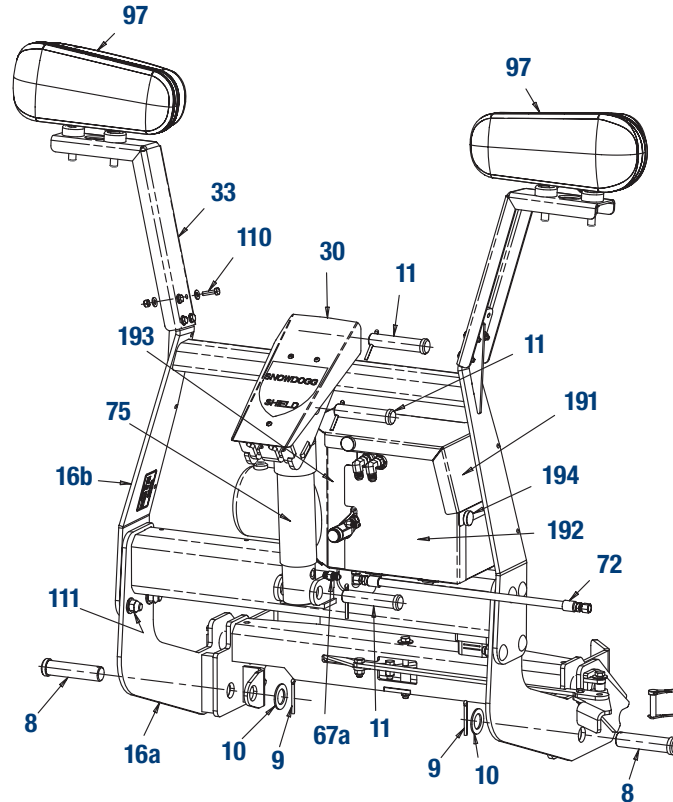
SnowDogg®

STRAIGHT PLOW

Part No	Description
PLOW-XP810	Buyers 8'-10' Expandable Stainless Straight Plow

LIFT FRAME

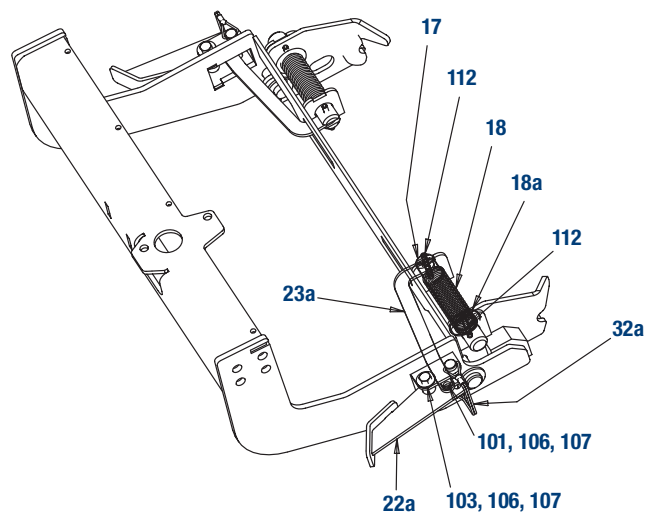
Dia No	Part No	Description
8	16102100	Clevis Pin, 1" x 4"
9	16102102	Cotter Pin, 3/16" x 2"
10	16102104	Washer, 1"
11	16102122	Clevis Pin Kit, 7/8" x 4"
16a	16110100	Lower Lift Frame, Assembled w/Linkages
16a	16111612	Lift Frame, Lower, Weldment
16b	16111620	Lift Frame, Upper, Weldment
30	16111400	Chain Lift Arm (Assembled)
30	16111402	Chain Lift Cover, w/Screws
30	16111406	Chain Lift Fastener Kit
32	16111120	Snapper Pin, 1-5/8"
32a	16111124	Snapper Pin, 2-1/2"
33	16111510	Bracket, Light
67a	16151325	Fitting, Cylinder Lift Port
72	16153100	Hose, Lift (1/4" x 18")
75	16154200	Cylinder, Lift (2" x 6")
75	16154202	Packing Kit, 2" w/Wiper Seal
75	16154204	Gland Nut, 2" w/Wiper Seal
97	16160700	Light, Plow, Pair
97	16160710	Light, Plow, DS
97	16160712	Light Housing Only, DS
97	16160720	Light, Plow, PS
97	16160722	Light Housing Only, PS
97	16160730	Hardware Kit, Light Mounting (1 Set)
97	16160732	Seal, Light Lens to Housing
97	16160734	Harness, Light Internal
97	16160740	Bulb, H1 High Beam
97	16160742	Bulb, H7 Low Beam
97	16160744	Bulb, Park/Turn, Amber
110	16111512	Light Bracket Fastener Kit (8 Screws/Washers/Nuts)
111	16101014	Lift Frame Upper/Lower Fastener Kit



Dia No	Part No	Description
191	16152120	Cover, Top, HV600 HPU
192	16152125	Cover, DS Front, XP
193	16152124	Cover, PS Front, V
194	16152126	Screw, Thumb, HPU Cover

LINKAGE DETAIL

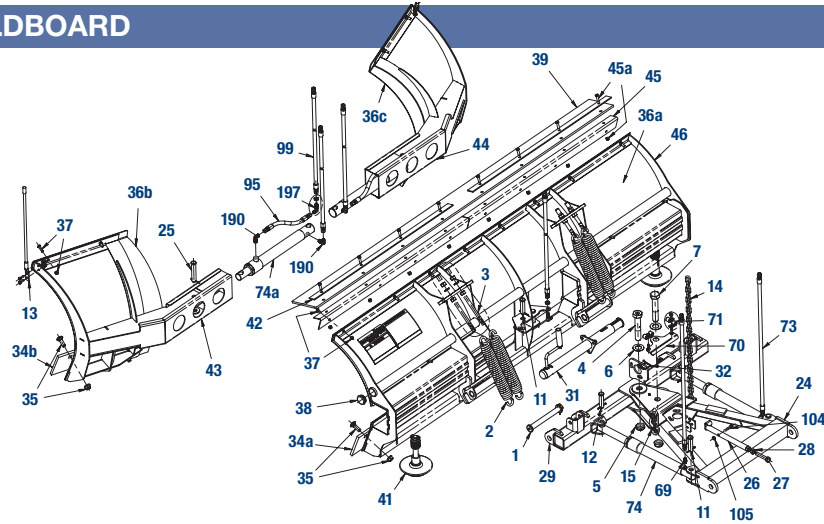
Dia No	Part No	Description
17	16111102	Pin, Mount Locking
18	16111104	Spring, Mount Locking Pin
18a	16111116	Washer, Flat
22a	16111117	Foot Pedal, Dual
23a	16111115	Linkage, Dual Pedal
32a	16111124	Snapper Pin, 2-1/2"
101	16101001	Screw, Cap, 3/8-16 x 1" SST
103	16101003	Screw, Cap, 3/8-16 x 3" ZN
106	16101006	Nut, Nylock 3/8-16 SST
107	16101007	Washer, Flat 3/8" SST
112	16111118	Roll Pin, 1/4" x 2"



SnowDogg® Snow Plow Replacement Parts - XP Series

SnowDogg®

A-FRAME & MOLDBOARD

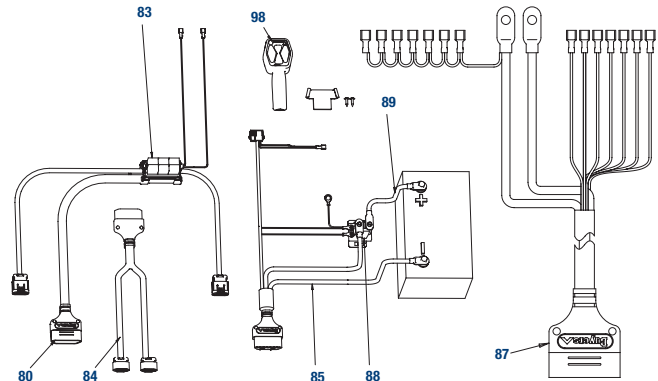


Dia No	Part No	Description
1	16101100	Pin, Trip, HD/EX/XP (Pair)
1	16101516	Grease Fitting, 1/4-28 Threaded
2	16101200	Spring, Trip
3	16101210	Spring Mount Eye Bolt Kit (Set of 4)
4	16101120	Bolt, Pivot w/Grease Fitting, HD/EX/TE/XP
4	16101515	Grease Fitting, Press
4	16101516	Grease Fitting, 1/4-28 Threaded
5	16101122	Nut, Pivot/Angle Stop Bolt
6	16101124	Washer, Pivot/Angle Stop Bolt
7	16101140	Bolt, Angle Stop
9	16102102	Cotter Pin, 3/16" x 2"
11	16102142	Clevis Pin Kit, 7/8" x 3-1/4"
13	16122100	Blade Guide Assembly (Pair)
14	16103000	Chain, Lift
15	16103020	U-Bolt, Lift Chain w/Nuts
24	16101515	Grease Fitting, Press
24	16111200	A-Frame, HD/EX/TE/XP
25	16102199	Clevis Pin Kit, 7/8" x 4-1/2", w/Cotter
26	16111210	Prop Stand Assembly (w/Lift Bolt/Nut)
27	16111212	Bolt, Prop Stand
28	16111214	Nut, Jam 5/8-11
29	16111300	Sector, HD/EX/XP
31	16111310	Jack, A-Frame
31	16111312	Cap for Jack
32	16111120	Snapper Pin, 1-5/8"
34a	16120920	Cutting Edge, XP810 Center
34b	16120922	Cutting Edge, XP810 Wing
35	16120114	Cutting Edge Fastener Kit (Set of 10)
36a	16121920	Skin, XP810 Center, SST

Dia No	Part No	Description
36b	16121922	Skin, XP810 DS Wing, SST
36c	16121924	Skin, XP810 PS Wing, SST
37	16120110	Skin Fastener Kit (Set of 10)
38	16120120	Cap, Cross Tube
39	16120157	Deflector, Rubber, MD/HD/TE/EX75, XP810
41	16121100	Shoe Assembly
41	16121120	Shoe, Washer (1/8")
41	16121140	Shoe, Linch Pin
42	16120266	Clamp Strip, XP810
43	16122420	Moldboard Weldment, XP810 DS Wing
44	16122430	Moldboard Weldment, XP810 PS Wing
45	16122412	Deflector Bracket Kit w/Hardware
45a	16122414	Deflector, Hardware Only
46	16122410	Moldboard Weldment, XP810 Center
69	16151324	Fitting, Mfd/Cylinder Angle Straight
70	16111140	Bracket, Hose Anchor, SST
71	16111142	Clamp Kit, Hose
73	16153110	Hose, Angle (3/8" x 36")
74	16154100	Cylinder, Angle (1-1/2" x 12")
74	16154212	Packing Kit, 1-1/2" w/Wiper Seal
74	16154214	Gland Nut, 1-1/2" w/Wiper Seal
74a	16154300	Cylinder, Double Acting (1-1/2" x 12")
74a	16154302	Seal Kit for Cylinder 16154300
95	16153140	Hose, Wing Retract, 3/8" x 13"
99	16153130	Hose, Wing Cylinder, 3/8" x 60"
104	16101004	Screw, Cap, 3/8-16 x 2" ZN
105	16101005	Nut, Nylock 3/8-16
190	16152346	Fitting, Elbow, 3/8" JIC M/F
197	16151340	Fitting, Bulkhead Elbow, 3/8"

HARNESS

Dia No	Part No	Description
80	16160100	Harness, Truck Relay
80	16160110	Repair Connector, 16160100 Grill Connector
80	16160112	Repair Connector, 16160100 Adapter Connector
80	16160116	Plate, Mounting, Relay Harness
80	16160510	Cap, 16160100/16160300
83	16160114	Relay, Light, Individual
84	16160200	Harness, Plow Light
84	16160512	Cap, 16160200/16160400
85	16160300	Harness, Truck Control
85	16160510	Cap, 16160100/16160300
87	16160402	Spring Cage (Kit of 2), Power Terminals
87	16160512	Cap, 16160200/16160400
87	16162400	Harness, Plow Control XP
88	16160410	Relay, Motor
89	16160500	Cable, Battery
98	16160610	Harness, Controller Extension (36")
98	16160620	Mount Kit, SnowDogg™ Controller
98	16162600	Controller, Expanding Plow



SnowDogg® Snow Plow Replacement Parts - CM Series

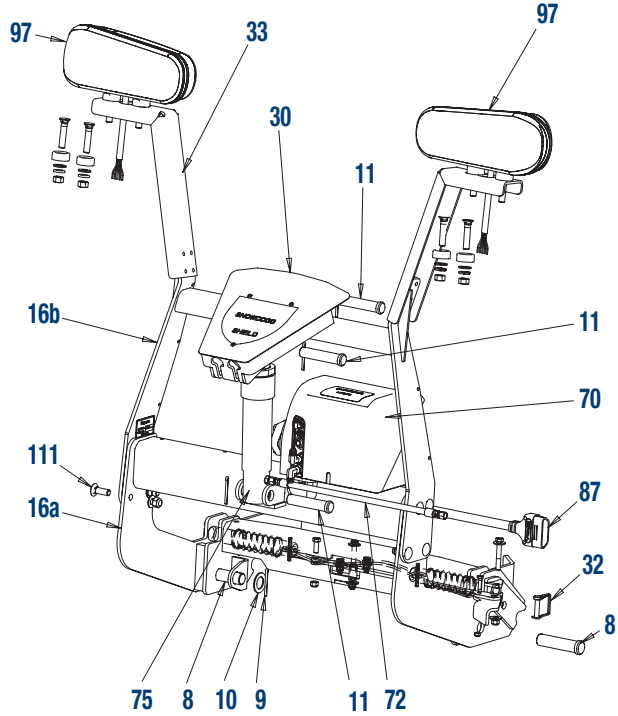
SnowDogg®

STRAIGHT PLOW

Part No	Description
PLOW-CM100	Buyers 10.0 CM Stainless Steel Straight Blade Plow

LIFT FRAME

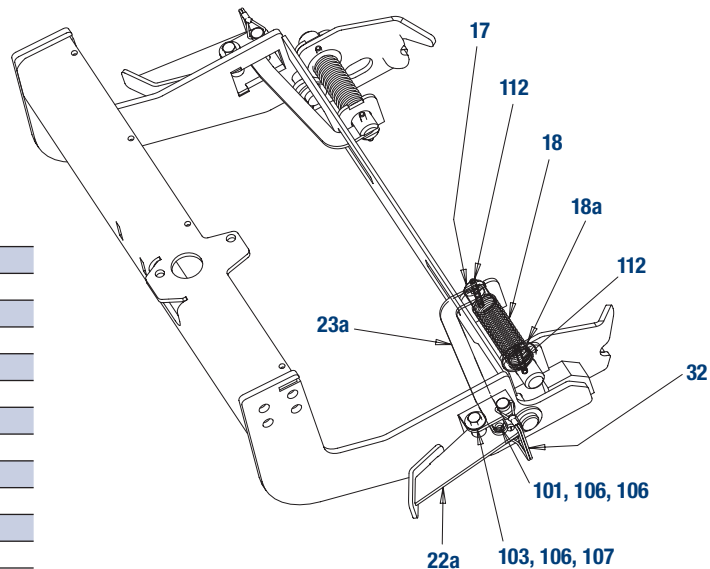
Dia No	Part No	Description
8	16102100	Clevis Pin, 1" x 4"
9	16102102	Cotter Pin, 3/16" x 2"
10	16102104	Washer, 1"
11	16102122	Clevis Pin Kit, 7/8" x 4"
16a	16110100	Lower Lift Frame, Assembled w/Linkages
16a	16111612	Lift Frame, Lower, Weldment
16b	16111620	Lift Frame, Upper, Weldment
30	16111400	Chain Lift Arm (Assembled)
30	16111402	Chain Lift Cover, w/Screws
30	16111406	Chain Lift Fastener Kit
32	16111120	Snapper Pin, 1-5/8"
32	16111124	Snapper Pin, 2-1/2"
33	16111510	Bracket, Light
72	16153100	Hose, Lift (1/4" x 18")
75	16154200	Cylinder, Lift (2" x 6")
75	16154202	Packing Kit, 2" w/Wiper Seal
75	16154204	Gland Nut, 2" w/Wiper Seal
87	16160402	Spring Cage (Kit of 2), Power Terminals
87	16160512	Cap, 16160200/16160400
97	16160700	Light, Plow Pair
97	16160710	Light, Plow, DS
97	16160712	Light Housing Only, DS
97	16160720	Light, Plow, PS
97	16160722	Light Housing Only, PS
97	16160730	Hardware Kit, Light Mounting (1 Set)
97	16160732	Seal, Light Lens to Housing
97	16160734	Harness, Light Internal
97	16160740	Bulb, H1 High Beam
97	16160742	Bulb, H7 Low Beam
97	16160744	Bulb, Park/Turn, Amber
110	16111512	Light Bracket Fastener Kit (8 Screws/Washers/Nuts)



Dia No	Part No	Description
111	16101014	Lift Frame Upper/Lower Fastener Kit
N/I	16152124	Cover, PS Front, V
N/I	16152126	Screw, Thumb, HPU Cover
N/I	16151325	Fitting, Cylinder Lift Port

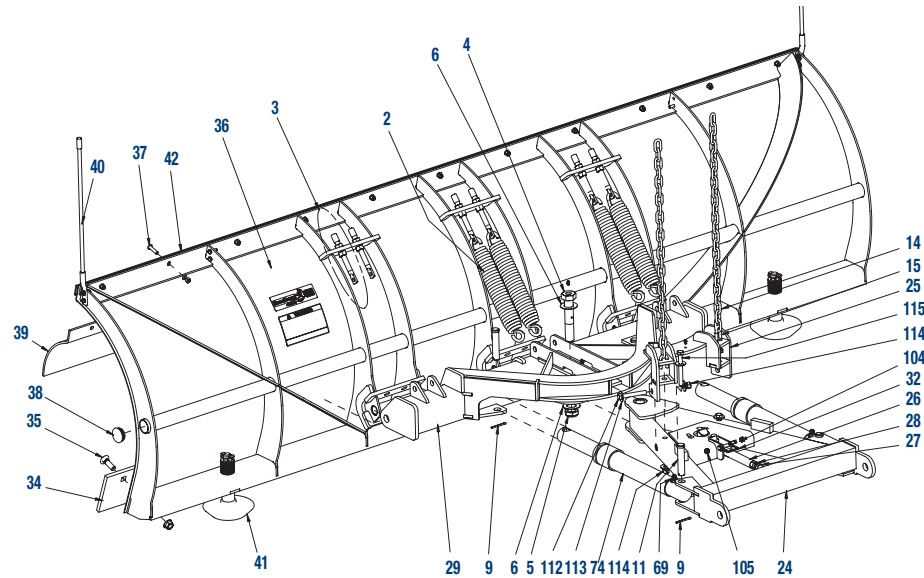
LINKAGE DETAIL

Dia No	Part No	Description
17	16111102	Pin, Mount Locking
18	16111104	Spring, Mount Locking Pin
18a	16111116	Washer, Flat
22a	16111117	Foot Pedal, Dual
23a	16111115	Linkage, Dual Pedal
32	16111124	Snapper Pin, 2-1/2"
32	16111120	Snapper Pin, 1-5/8"
101	16101001	Screw, Cap, 3/8-16 x 1" SST
103	16101003	Screw, Cap, 3/8-16 x 3" ZN
106	16101006	Nut, Nylock 3/8-16 SST
107	16101007	Washer, Flat 3/8" SST
112	16111118	Roll Pin, 1/4" x 2"



SnowDogg® Snow Plow Replacement Parts - CM Series

A-FRAME & MOLDBOARD

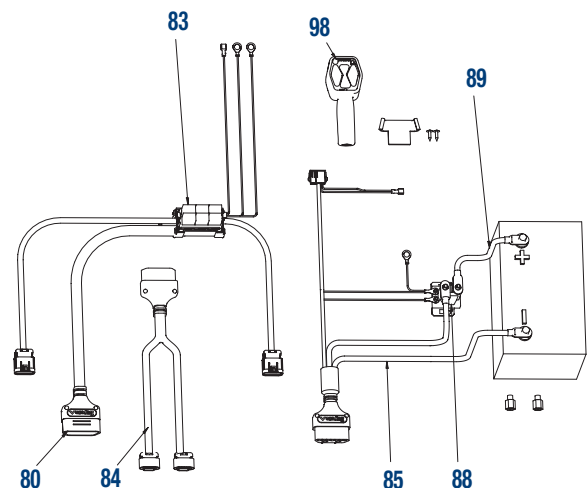


Dia No	Part No	Description
	2	16101200 Spring, Trip
	3	16101230 Spring Mount Eye Bolt Kit (set of 6)
	4	16101120 Bolt, Pivot w/Grease Fitting
	4	16101515 Grease Fitting, Press
	4	16101516 Grease Fitting, 1/4-28 Threaded
	5	16101122 Nut, Pivot/Angle Stop Bolt
	6	16101124 Washer, Pivot/Angle Stop Bolt
	9	16102102 Cotter Pin, 3/16" x 2"
	11	16102122 Clevis Pin Kit, 7/8" x 4"
	14	16103000 Chain, Lift
	15	16103020 U-Bolt, Lift Chain w/Nuts
	24	16101515 Grease Fitting, Press
	24	16114200 A-Frame, CM
	25	16114220 Sector Retainer
	26	16111210 Prop Stand Assembly (w/Lift Bolt/Nut)
	27	16111212 Bolt, Prop Stand
	28	16111214 Nut, Jam 5/8-11
	29	16114300 Sector, CM
	32	16111120 Snapper Pin, 1-5/8"
	34	16120662 Cutting Edge, 120" x 5/8"
	35	16120114 Cutting Edge Fastener Kit (Set of 10)

Dia No	Part No	Description
	36	16121820 Skin, CM100, SST
	37	16120110 Skin Fastener Kit (Set of 10)
	38	16120120 Cap, Cross Tube
	39	16120164 Deflector, Rubber, 120"
	40	16122120 Blade Guide Assembly (Pair)
	41	16121100 Shoe, Washer
	41	16121120 Shoe, Washer (1/8")
	41	16121140 Shoe, Linch Pin
	42	16120264 Clamp Strip, 120"
	69	16151324 Fitting, Mfd/Cylinder Angle Straight
	74	16154140 Cylinder, Angle (2" x 12")
	104	16101004 Screw, Cap, 3/8-16 x 2" ZN
	105	16101005 Nut, Nylock 3/8-16
	112	16101010 Screw, Cap, 1/2-13 x 3-1/2" ZN
	113	16101013 Washer, Flat 1/2", ZN
	114	16101015 Nut, Nylock, 1/2-13 ZN
	115	16101011 Screw, Cap, 1/2-13 x 4-1/2" ZN
	N/I	16111310 Jack, A-Frame
	N/I	16111312 Cap for Jack
	N/I	16153110 Hose, Angle (3/8" x 36")

HARNESS

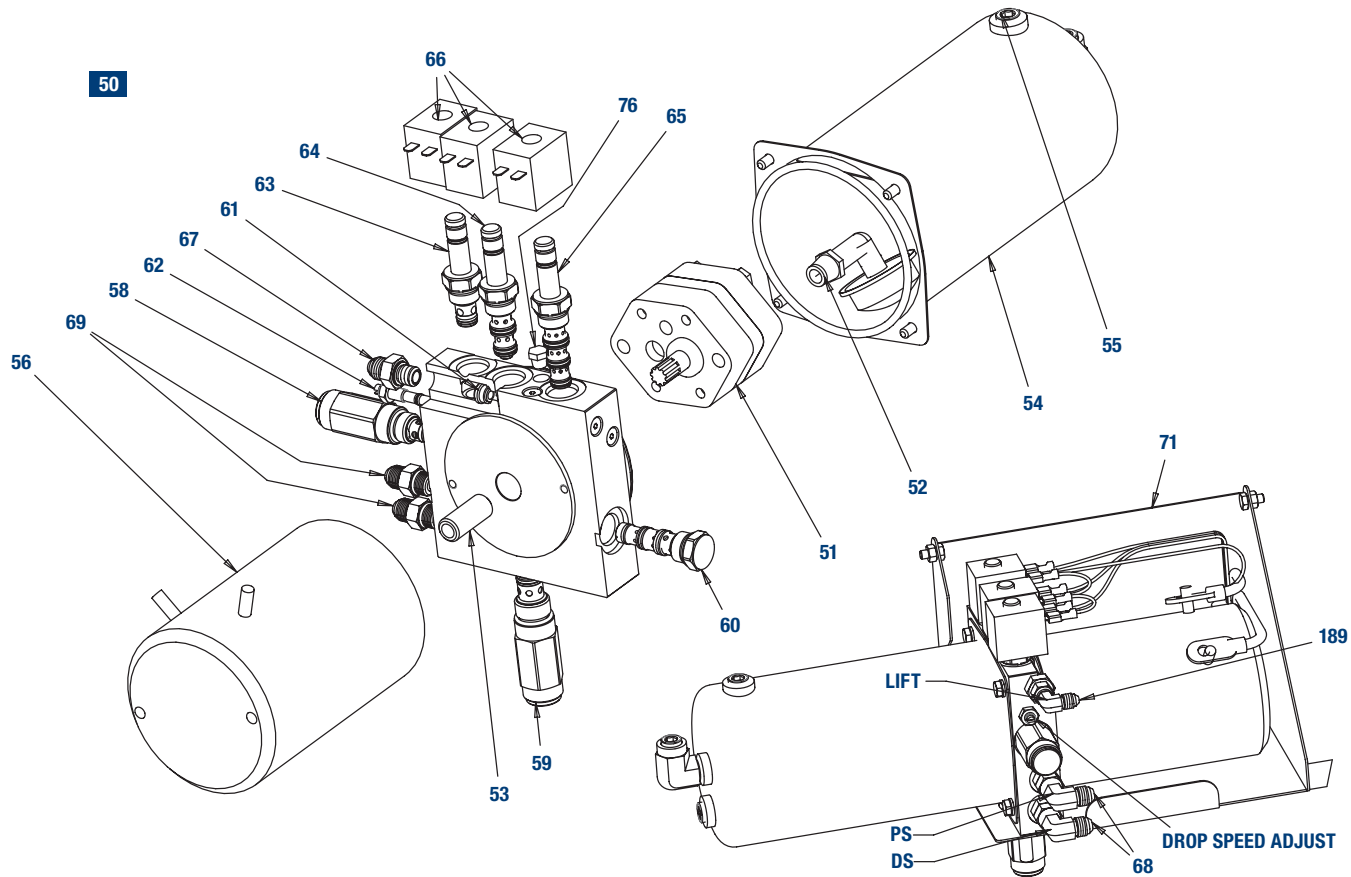
Dia No	Part No	Description
	80	16160100 Harness, Truck Relay
	80	16160110 Repair Connector, 16160100 Grill Connector
	80	16160112 Repair Connector, 16160100 Adapter Connector
	80	16160116 Plate, Mounting, Relay Harness
	80	16160510 Cap, 16160100/16160300
	83	16160114 Relay, Light, Individual
	84	16160200 Harness, Plow Light
	84	16160512 Cap, 16160200/16160400
	85	16160300 Harness, Truck Control
	85	16160310 Repair Connector, 16160300 Grill Connector
	85	16160510 Cap, 16160100/16160300
	88	16160410 Relay, Motor
	89	16160500 Cable, Battery
	98	16160600 Controller, Straight Blade
	98	16160610 Harness Controller Extension (36")
	98	16160620 Mount Kit, SnowDogg™ Controller
	98	16162600 Controller, Expanding Plow



SnowDogg® Hydraulic Pump Replacement Parts - Straight Blade

HYDRAULIC POWER UNIT

SnowDogg™

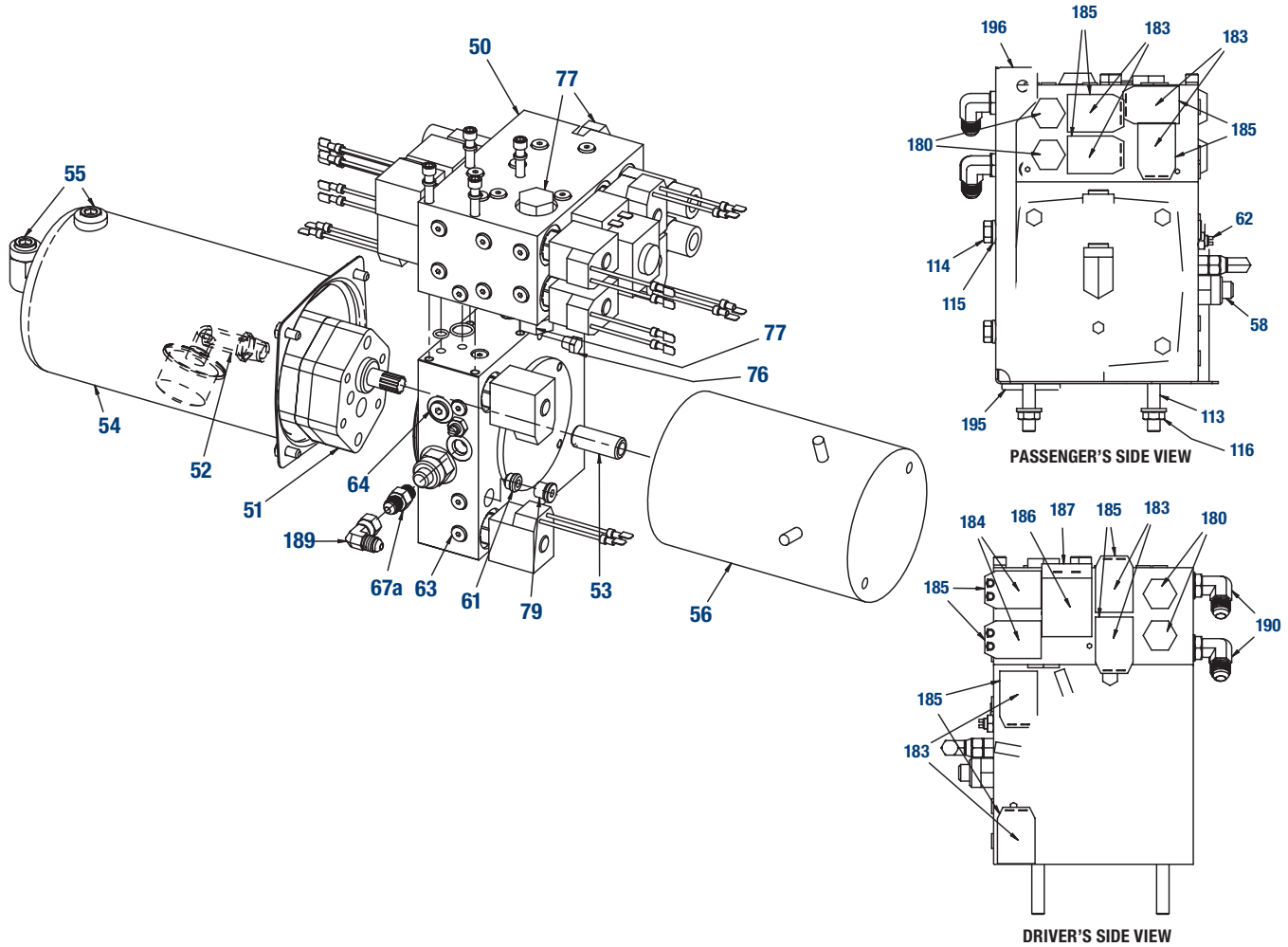


Dia No	Part No	Description
50	16151000	Hydraulic Power Unit, Straight Blade
51	16151100	Pump, Gear
51	16159116	Seal, Shaft
52	16151102	Inlet Strainer
53	16151106	Spline Coupler
54	16151110	Reservoir Kit (Res/Bolts/Seal/Cap)
54	16159114	O-ring, Reservoir
55	16151112	Plug, Reservoir, 3/8" NPT
56	16151200	Motor, 136KW
58	16151302	Valve, Main Relief
59	16151304	Valve, Angle Cross Over Relief
60	16151306	Valve, Angle Lock
61	16151308	Valve, Lift Check
61	16900010	Tool, Lift Check Valve Removal

Dia No	Part No	Description
62	16151310	Valve, Lowering Speed
63	16151312	Valve, SA Solenoid
64	16151314	Valve, SB Solenoid
65	16151316	Valve, 4-WAY/2-POS Solenoid
66	16151318	Coil, SA/SB/SC Valves
67	16151320	Fitting, Mfd Lift Port
68	16151322	Fitting, Mfd Angle/Lift Elbow
69	16151324	Fitting, Mfd/Cyl Angle Straight
71	16152110	Tray, HPU, SST
71	16152128	Grommet, HPU Tray
76	16151326	Breather, Vent
189	16151321	Fitting, Manifold Lift Port 90 Deg Swivel

SnowDogg® Hydraulic Pump Replacement Parts - V Blade

HYDRAULIC POWER UNIT



SnowDogg®

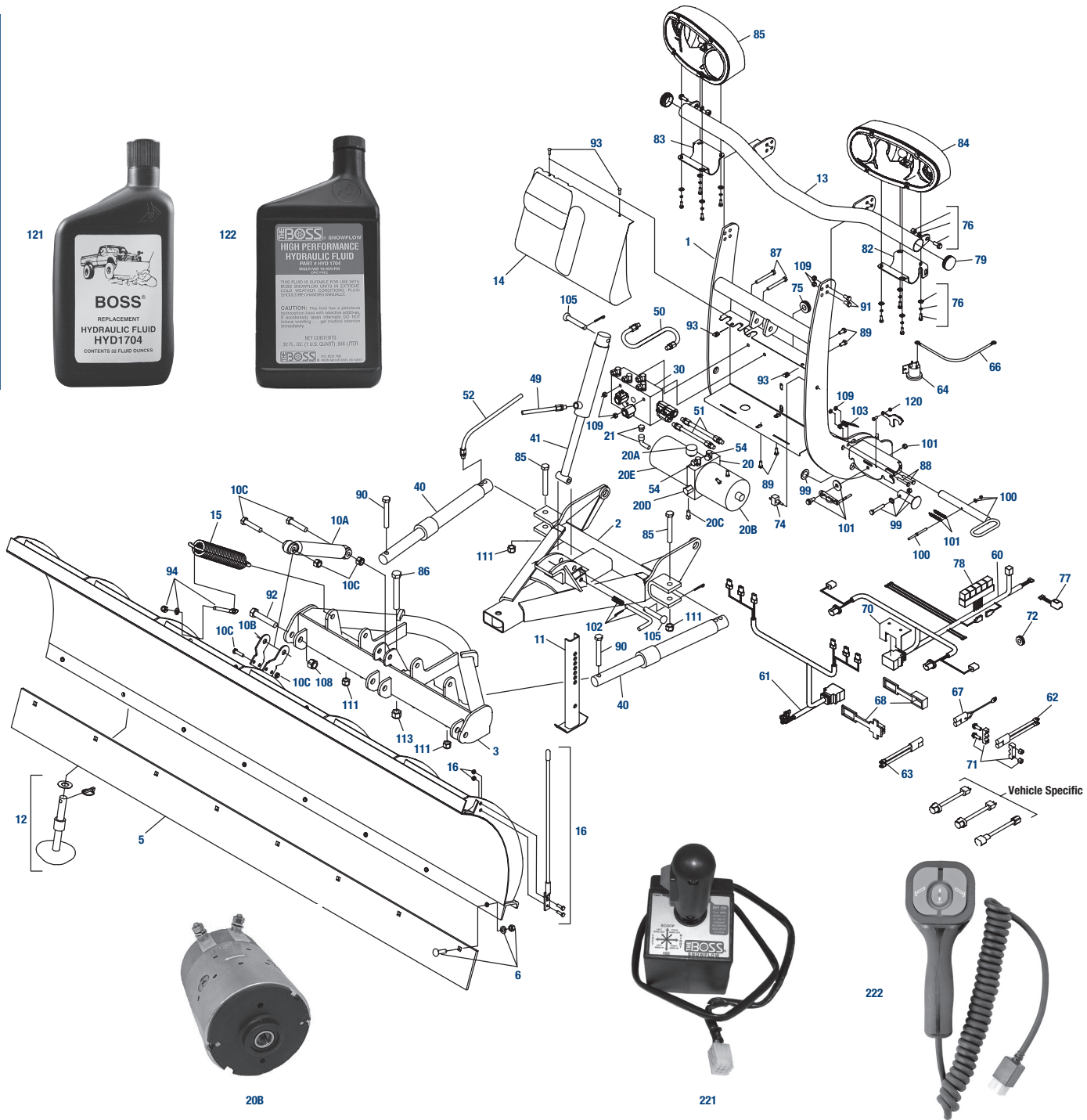
Dia No	Part No	Description
50	16152012	Auxiliary Manifold (No Valves/with Plugs)
50	16152104	Manifold O-Ring/Fastener Kit
50	16152000B	Hydraulic Power Unit, VX/VMD
51	16151100	Pump, Gear
51	16159116	Seal, Shaft
52	16151102	Inlet Strainer
53	16152004	Spline Coupler
54	16151110	Reservoir Kit (Res/Bolts/Seal/Cap)
54	16159114	O-Ring, Reservoir
55	16151112	Plug, Reservoir, 3/8" NPT
56	16151200	Motor, 1.6kW
58	16151302	Valve, Main Relief
61	16151308	Valve, Lift Check
61	16900010	Tool, Lift Check Valve Removal
62	16151310	Valve, Lowering Speed
63	16152016	Plug, -2 SAE (1/8")
64	16152018	Plug, -4 SAE (1/4")
67a	16151325	Fitting, Cylinder Lift Port

Dia No	Part No	Description
76	16151326	Breather, Vent
77	16152330	Valve, Check
79	16152332	Plug, Lift Check Valve
113	16101016	Stud, 3/8-16 x 2", ZN
114	16101017	Screw, Cap, 3/8-16 x 3/4", ZN
115	16101018	Washer, Lock, 3/8", ZN
116	16101019	Nut, Serrated Flange, 3/8-16, ZN
180	16152334	Valve, Angle Relief, 3000 PSI
183	16151312	Valve, S1A/S1B/S2B/S3B/S4/S5/S6/S7 Solenoid
184	16151330	Valve, S2A/S3A Solenoid
185	16152336	Coil, w/Flying Leads
186	16152340	Valve, S8 Solenoid
187	16152342	Coil, S8, Dual Spade
189	16151321	Fitting, Manifold Lift Port 90° Swivel
190	16152346	Fitting, Angle Port/Cylinder 90°
195	16152128	Grommet, HPU Tray
196	16152130	Tray, HPU

BOSS® Snow Plow Replacement Parts - RT3 Straight Blade

HYDRAULIC POWER UNIT

BOSS®



Dia. No. Part No.	Description
1 1-CPA4689	OEM - Coupler Assembly w/Pins Only, SD RT3
1 1-CPA7964	OEM - Coupler Assembly, w/Pins Only, 10' SH2, Common, 2002
2 1-STB4190	OEM - Pushframe RT3 Straight Blade 01 & Newer
2 1-TFR7554	OEM - Pushframe Assy RT3 Straight Blade 10'
3 1-STB4180	OEM - Push Frame RT3 01 & Newer
3 1-STB7547	OEM - Pushframe Att Bar, RT3 Straight Blade 10'
5 STB3071	Clearance Item - 7.6 Standard Cutting Edge 3/8" X 90"
5 STB3002	7.6 Super Duty Cutting Edge 1/2" X 90"

Dia. No. Part No.	Description
5 STB3003	8.0 Super Duty Cutting Edge
5 STB0317	8.0 Super Duty XT Cutting Edge
5 STB3072	8.6 Cutting Edge S.D.
5 STB0318	8.5 Super Duty XT Cutting Edge
5 STB3242	Special Order - 9.0 Cutting Edge Super Duty
5 STB0319	9.0 Super Duty XT Cutting Edge
5 STB7537	Special Order - 10.0 Cutting Edge 1/2" X 6" X 120"
6 BAX0034	10 pc - Carriage Bolt Set 1/2" Bolts

BOSS® Snow Plow Replacement Parts - RT3 Straight Blade

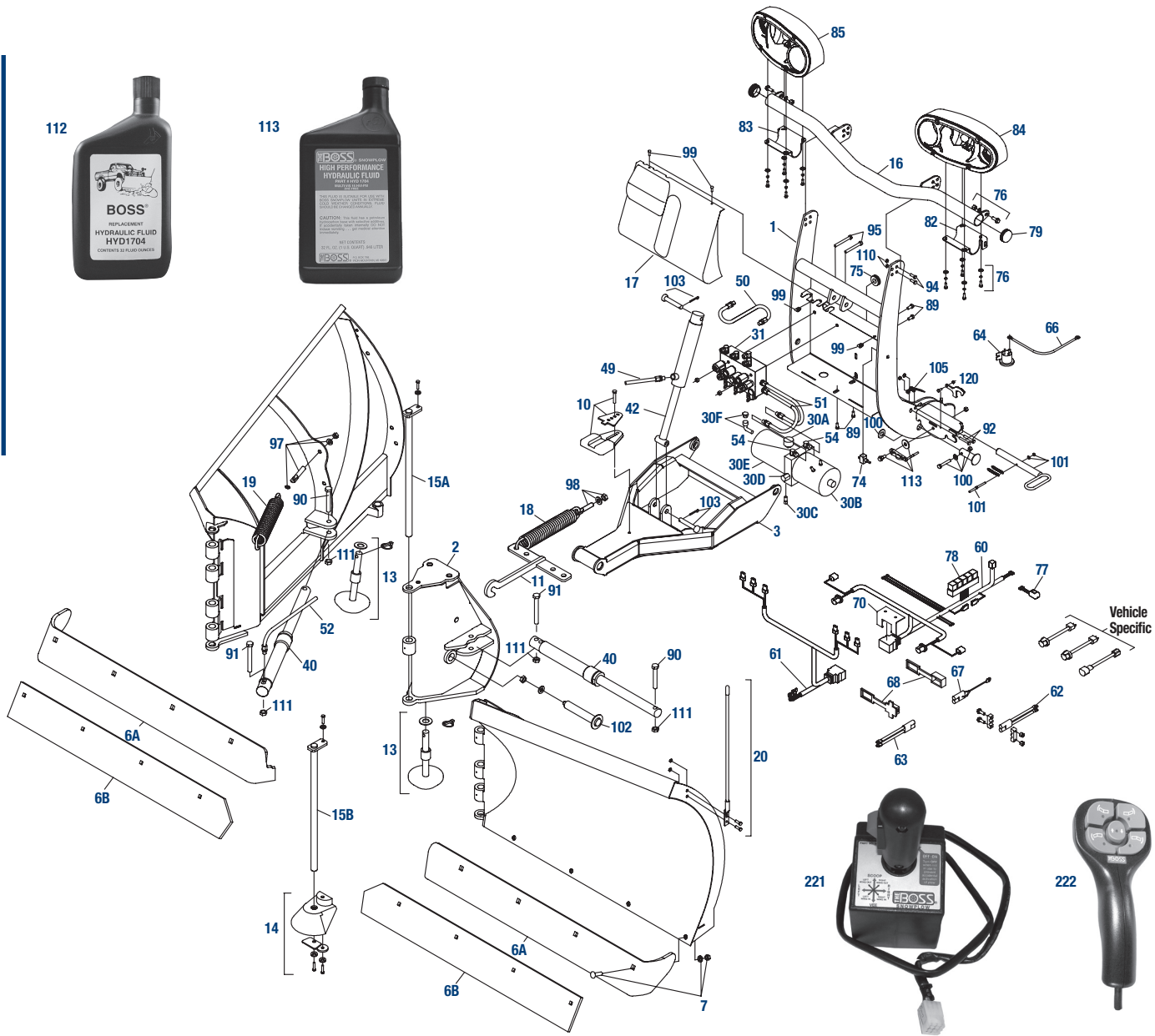
HYDRAULIC POWER UNIT

Dia. No. Part No.	Description
6 BAX00096	10pc - Carriage Bolt Set 5/8" Bolts & Nuts
10 1-STB4816	OEM - Shock Absorber Option Kit
10A 1-MSC1517	OEM - Shock Absorber
10B 1-STB3014	OEM - Shock Mount Bracket
10C 1-HDW5609	OEM - Fastener Kit, Shock Absorber Option
10C 1-MSC1517	OEM - Shock Absorber
10C 1-STB3014	OEM - Shock Mount Bracket
10C 1-STB10539	OEM - Mntg Brkt, Shock, Spr Dty Xt
11 STB3220	Plow Kickstand (Straight Blade RT3)
12 MSC1501	Shoe Assembly With Pin & Washers
12 1-MSC1570	OEM - Cast Iron Plow Shoe
13 1-LBA11111	OEM - Light Bar Assembly Straight / Vee Smarthitch 2, RT3
13 1-LBA11116	OEM - Lightbar, 10'
14 1-CPA4423	OEM - Hydraulic Cover RT3
14 1-CPA7668	OEM - Cover, Hydraulic RT3 10' V & 10' STR
15 MSC1509	Trip/Return Spring - 15-1/2" Long
16 MSC1870	Red Blade Guide - Pair
20 1-HYD1710	OEM - Power Unit with 2 Quart Reservoir
20 1-HYD7695	OEM - Power Unit 3 Quart 12" Reservoir & Plug (10'.0" Plows)
20A 1-HYD1636	OEM - Hydraulic Pump Filler Cap
20B HYD1563-2	Motor 12V - Two Post - Counter Clock Wise
20B 1-HYD9328	OEM - Motor Kit, 12V
20C 1-HYD1712	OEM - Magnetic Drain Plug, Barnes 95 & Newer
20D 1-HYD1693	OEM - Valve Relief Kit / Power Unit
20E 1-HYD4814	OEM - 2 Quart Reservoir With Remote Port
20E 1-HYD4815	OEM - Reservoir 3 Quart
20E 1-HYD1670	OEM - Seal Kit
21 1-MSC5078	OEM - Fill Cap And Elbow Kit
30 1-HYD7091	OEM - Valve Assy, RT3, STR, SH2 w/ Ground 07 (Red Block)
30 1-HYD7090	OEM - Valve Assy, RT3, STR, SH2 w/ Ground 07 (Green Block)
40 1-HYD9731	OEM - Angle Cylinder 1-1/2" X 10" - 06 & Newer
40 1-HYD8842	OEM - Seal Kit for Cylinders, HYD8830, 9731, 9985
40 HYD8830	Angle Cylinder 1-1/2" X 10" Straight Blade
40 1-HYD9383	OEM - Angle Cylinder, 10' SA 2" X 10" New 2010
40 1-HYD7688	OEM - Seal Kit, Angle Cylinder, 10'
41 HYD7013	Lift Cylinder 1-1/8" X 10" V & Straight
41 1-HYD9420	OEM - Lift Cylinder - RT3 (Repic HYD7013 & HYD9380)
41 1-HYD7025	OEM - Seal Kit, Lift Cylinder RT3 - HYD7013
41 1-HYD7649	OEM - Cylinder, Lift 10" , 2 1/4
41 1-HYD7686	OEM - Seal Kit, Lift Cylinder 10' V Plow
49 HYD9922	Hose 1/4" X 18"
50 HYD1695	Hose 1/4" X 15-1/2"
51 1-HYD9967	OEM - HOSE, 1/4" X 14"
52 HYD1810	Hose 3/8" X 34"
52 HYD7042	Hose 3/8" X 42"
60 1-MSC8001	OEM - 13-Pin Wiring Harness Vehicle Side 08 & Newer
61 1-MSC8881	OEM - 13 - Pin Plow Side Wiring Harness 08 & Newer
62 HYD1684	Cable Power / Ground 92" Vehicle Side
63 HYD1690	Cable Power / Ground 36" Plow Side
64 HYD1633	12V, 4 Post, Heavy Duty Solenoid
66 1-MSC3414	OEM - Battery Cable 24" Red
66 1-MSC3465	OEM - Battery Cable 72", Red
67 1-MSC5081	OEM - Dust Cap Kit Power / Ground Vehicle & Plow - Both Sides
68 1-MSC4581	OEM - Weather Plug & Cap Kit
70 1-MSC3813	OEM - Mounting Bracket Control Harness 95 & Up
71 1-MSC9097	OEM - Mounting Bracket Power / Ground Cable
72 1-MSC3761	OEM - Grommet, Split Rubber Control Harness
74 1-MSC4744	OEM - Toggle Switch Kit Smart Hitch 2
75 1-MSC3456	OEM - Rubber Grommet 1-1/8"
76 1-HDW11114	OEM - Headlight Fastener Kit 08 Plus
N/I 1-MSC11101	OEM - Housing Kit, Headlight, 2008 Plus, DS
N/I 1-MSC11102	OEM - Housing Kit, Headlight 2008+ (PS)
N/I 1-MSC11103	OEM - Lens-Reflector Kit-Headlight 2008 DS
N/I 1-MSC11104	OEM - Lens Reflector Kit Headlight 2008 + P.S.

Dia. No. Part No.	Description
N/I 1-MSC11106	OEM - 08 Plus Low Beam Headlight Bulb - Smartlight 2 System
N/I 1-MSC11107	OEM - Bulb, H9 High Beam -
N/I 1-MSC11108	OEM - Bulb, 3157 - Turn Signal -Headlight 2008 Plus
77 1-MSC4747	OEM - Switch Rocker Boss Light
78 1-MSC4294	OEM - Light Adapter Relay
79 1-MSC9058	OEM - Cap, Round, Light Bar
80 1-MSC8993	OEM - Relay Repair Wiring Harness
81 1-MSC1322	OEM - Splice Connector In-Line Fuse, Bld Style
82 1-MSC11109	OEM - Mounting Bracket, DS 08 Plus
83 1-MSC11110	OEM - Mounting Bracket, PS 08 Plus
84 1-MSC11120	OEM - Headlight W/Turn, 2008 Plus DS
85 1-MSC11130	OEM - P.S. Headlight w/ Turn - 2008 & Newer plows
91 1-HDW1771	OEM - Hex Head Capscrew
93 1-MSC5077	OEM - Thumb Screw & Nut Kit
94 HDW1744	Eyebolt Set, 1/2" With Nuts-Pair - Loop Style
94 HDW1744H	Eyebolt Set, 1/2" With Nuts-Pair - Loop Style, Header Tagged
99 1-MSC4251	OEM - Pivot Pin Kit RT3
99 MSC4251	Pivot Pin Kit RT3
99 1-MSC7697	OEM - Pin Kit, Pivot 10' V-Plow
100 1-MSC4675	OEM - Coupler Spring Kit RT3 Smart Hitch 2 ONLY - 06 & New
100 MSC4675	Coupler Spring Kit RT3 Smart Hitch 2 ONLY - 06 & New
100 1-MSC7972	OEM - Spring Pin Kit, Cplr, 10'Sh2, 2002
101 1-MSC4676	OEM - Pin Kit, Coupler Spring Rel Lever, SH2
101 1-MSC7974	OEM - Pin Kit, Cplr Sprg Rel Lvr, 10'Sh2, 2002, LH
101 1-MSC7973	OEM - Pin Kit, Cplr Sprg Rel Lvr, 10'Sh2, 2002, RH
102 1-MSC3807	OEM - Kickstand Spring Pin Kit
102 MSC3807	Kickstand Spring Pin Kit
103 1-MSC5076	OEM - Torsion Spring Smart Hitch-Set
103 1-MSC7673	OEM - Spring, Smt-H, Torsion, 10'V&Str
105 1-HDW7682	OEM - Pin, Clevis, 3/4X3-3/4, Hrd, YZN
105 1-MSC5674	OEM - 5/8" Lift Cylinder Pin with Hairpin Clip
105 MSC5674	5/8" Lift Cylinder Pin with Hairpin Clip
108 1-HDW3037	OEM - Nut, 3/4-10, Nyl Ins, Yzn
109 1-HDW1720	OEM - Nut, 3/8-16, Nyl Ins, Yzn
111 1-HDW1709	OEM - Self Locking Nut 5/8-11
111 1-HDW7704	OEM - Nut, 1-8, Top L/N, Grc, Cad&Wax, YZN
113 1-HDW3037	OEM - Nut, 3/4-10, Nyl Ins, Yzn
113 1-HDW7704	OEM - Nut, 1-8, Top L/N, Grc, Cad&Wax, YZN
114 1-HDW1729	OEM - Washer, 1/2, F436 Hard, F/W, Yzn
120 1-MSC4687	OEM - Latch Kit, Coupler Tower Smart Hitch-2
120 1-MSC4688	OEM - Latch Kit, Coupler Tower, 10', 2002
122 1-HYD1704	OEM - Boss Hydraulic Fluid - Quart
221 1-STB3191	OEM - Joystick Control Straight Blade
221A1-MSC4086	OEM - Boss Switch - Joy Stick
222 1-STB9602	OEM - Control Only Straight Blade Smart Touch
222A1-MSC9613	OEM - Kit, Handle, Smart Touch 2
222B1-STB9646	OEM - Kit, Housing, Cntrl Pad, Str Blde St2
222C1-MSC9615	OEM - Cord, Smarttouch 2
222D1-STB9617	OEM - Control Pad - Boss Straight Blade SH2
222E1-STB9619	OEM - Circuit Board, Str Blade, Smart Hitch 3
222F1-MSC9916	OEM - Boss On/Off Switch, Smart Touch 2
N/I 1-MSC1565	OEM - Snow Deflector
N/I 1-MSC4098	OEM - Boss Spray Touch Up Paint
N/I 1-MSC4036	OEM - Paint, Black Spray
N/I 1-MSC3423	OEM - Dielectric Grease, 10 oz Tube
N/I 1-STB3395	OEM - Curb Guard Kit, DS, Str Blade
N/I 1-STB3394	OEM - Curb Guard Kit, PS, Str Blade
N/I 1-STB0315	OEM - Kit, Curb Guard Spr Dty Xt LH
N/I 1-STB0313	OEM - Kit, Curb Guard, Spr Dty Xt RH
N/I 1-STB4364	OEM - Curb Guard, 10' Str, Dr
N/I 1-MSC4298	OEM - Emergency Parts Kit, RT3
N/I 1-MSC8042C	OEM - Blade Wing Extension Kit - Fits Most V's and Straights - Excludes VXT, DVXT & RT2 and Early RT3 With Smart Hitch 1
N/I 1-MSC9644	OEM - Sight System Kit, RT3
N/I 1-MSC9845	OEM - Ballast Retainer Kit

BOSS® Snow Plow Replacement Parts - RT3 V Blade

BOSS®



Dia. No.	Part No.	Description
1	1-CPA4689	OEM - Coupler Assembly w/Pins Only, SD RT3
1	1-CPA7964	OEM - Cplr Assy, w/Pins Only, 10' SH2, Common, 2002
2	1-CHA9716	OEM - Center Section RT3 V 06 & Newer (SN # 90530 & Higher)
2	1-CHA1019	OEM - Center Section V RT3 (SN # 90529 & Lower)
2	1-CHA7693	OEM - Center Section RT3 V 10'
3	1-TFR9708	OEM - Push Frame Assembly RT3 V 06+
3	1-PFR7678	OEM - Pushframe Assy RT3 V 10'
6A	1-BAR8856	OEM - Cutting Edge Half, Formed, PS, 7'6", V RT3
6A	1-BAL8857	OEM - Cutting Edge Half, Formed, DS, 7'6", V RT3
6A	1-BAR8858	OEM - 8.2 V Passenger Side Formed Cutting Edge Half
6A	1-BAL8859	OEM - 8.2 V Driver Side Formed Cutting Edge Half
6A	1-BAR8860	OEM - 9.2 V Passenger Side Formed Cutting Edge Half
6A	1-BAL8861	OEM - 9.2 V Driver Side Formed Cutting Edge Half
6A	1-BAR8862	OEM - Cutting Edge Half, Formed, PS, 10', V RT3
6A	1-BAL8863	OEM - Cutting Edge Half, Formed, DS, 10', V RT3
6B	BAX00097	7.5 V Cutting Edge Half - 1/2 Inch Thick - (See Page 66 For Dimensions)

Dia. No.	Part No.	Description
6B	BAX00098	8.5 V Cutting Edge Half - 1/2 Inch Thick - (See Page 66 For Dimensions)
6B	BAX00099	9.5 V Cutting Edge Half - 1/2 Inch Thick - (See Page 66 For Dimensions)
6B	BAX07627	Half 10.0 V Plow Cutting Edge RT3 - 5/8" Thick - (See Page 66 For Dimensions)
7	BAX00096	10pc - Carriage Bolt Set 5/8" Bolts & Nuts
10	1-MSA4254	OEM - Bumper Stop Kit With Hardware
11	1-MSA4200	OEM - Spring Yoke RT3 - V
13	1-MSA1570	OEM - Cast Iron Plow Shoe
14	1-MSA4253	OEM - Snow Catcher Kit RT3 With Hardware
15A	1-MSA11050	OEM - Pin Center Hinge RT3 - 2007 & Newer
15B	1-MSA1507	OEM - Center Hinge Pin RT3 / RT2
15B	1-MSA7637	OEM - Pin, Center Hinge, 10'V-Plow
16	1-LBA11111	OEM - Light Bar Assembly Straight / Vee Smarthitch 2, RT3
16	1-LBA11116	OEM - Lightbar, 10'
17	1-CPA4423	OEM - Hydraulic Cover RT3

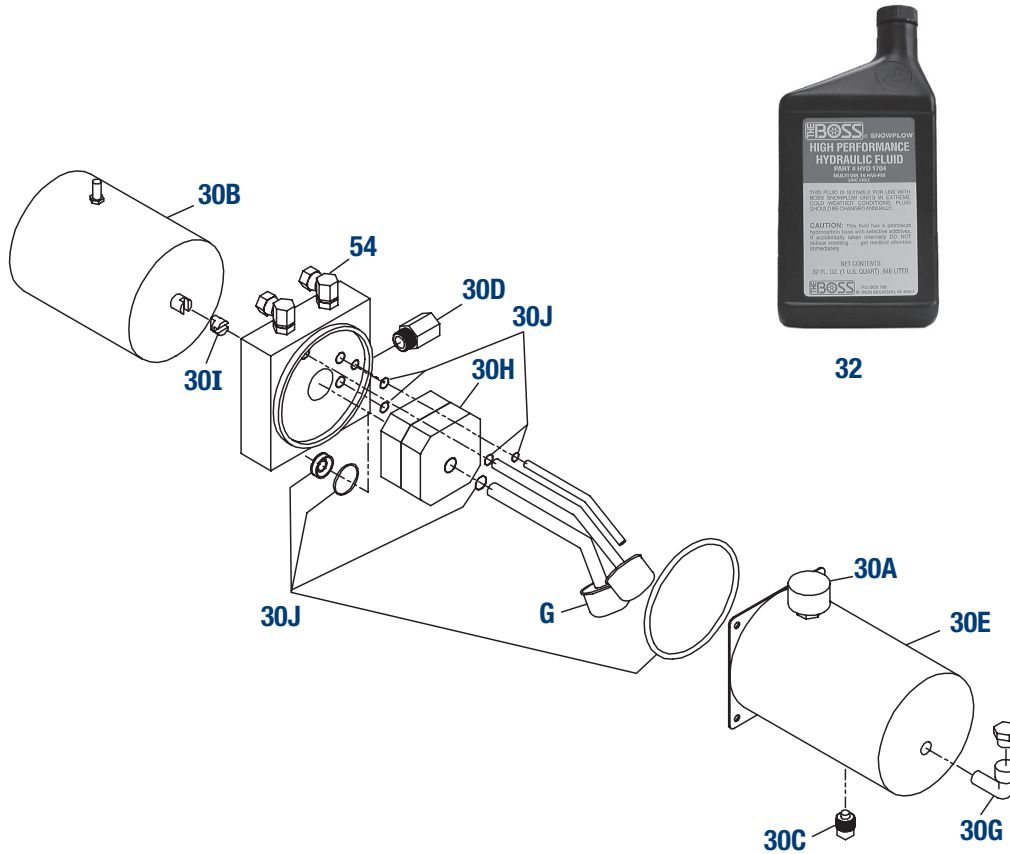
Dia. No.	Part No.	Description
17	1-CPA7668	OEM - Cover, Hydraulic RT3 10' V & 10' STR
18	MSC1509	Trip/Return Spring - 15-1/2" Long (7'6", 8'2", 9'2" Plow)
18	MSC7705	Spring, Trip 17-7/8 Inch (10' Plow)
19	MSC7705	Spring, Trip 17-7/8 Inch Long (7'6", 8'2", 9'2" Plow)
19	MSC1509	Trip/Return Spring - 15-1/2" Long (10' Plow)
20	MSC1870	Red Blade Guide - Pair
30	1-HYD1710	OEM - Power Unit with 2 Quart Reservoir
30	1-HYD7695	OEM - Power Unit 3 Quart 12 Inch Reservoir & Plug
30A	1-HYD1636	OEM - Hydraulic Pump Filler Cap
30B	1-HYD9328	OEM - Motor Kit, 12V
30C	1-HYD1712	OEM - Magnetic Drain Plug, Barnes 95 & Newer
30D	1-HYD1693	OEM - Valve Relief Kit / Power Unit
30E	1-HYD4814	OEM - 2 Quart Reservoir With Remote Port
30E	1-HYD4815	OEM - Reservoir 3 Quart With Remote Port
30F	1-MSC5078	OEM - Fill Cap And Elbow Kit
N/I	1-HYD1670	OEM - Seal Kit
31	1-HYD7092	OEM - Valve Assembly RT3 V's (7.6 - 9.2)
31	1-HYD7044	OEM - 10 Foot V Plow Hydraulic Valve Assembly
40	1-HYD9731	OEM - Angle Cylinder 1-1/2 Inch X 10 Inch - 06 & Newer
40	1-HYD8842	OEM - Seal Kit for Cylinders, HYD8830, 9731, 9986
40	HYD1603	V Blade Angle Cyl, 1-1/2 Inch X 10 Inch - (See page ? For Dimensions)
40	1-HYD1659	OEM - Seal Kit For HYD7014 & HYD1603 Cylinder
40	1-HYD9733	OEM - Cylinder, Locking 06+
40	1-HYD9734	OEM - Seal Kit, Smartlock Cylinder (HYD09733) 06 +
40	1-HYD7130	OEM - Smart Lock Cylinder (05 & Older)
40	1-HYD7035	OEM - Seal Kit, Locking Cylinder HYD7034
40	1-HYD9383	OEM - Angle Cylinder, 10' SA 2" X 10" New 2010
40	1-HYD9384	OEM - Seal Kit, Cylinder HYD9383
42	1-HYD7649	OEM - Cylinder, Lift 10' , 2 1/4
42	1-HYD7686	OEM - Seal Kit, Lift Cylinder 10' V Plow
49	HYD9922	Hose 1/4 Inch X 18 Inch
50	HYD1695	Hose 1/4 Inch X 15-1/2 Inch
51	1-HYD9967	OEM - HOSE, 1/4 Inch X 14"
52	HYD7042	Hose 3/8 Inch X 42 Inch
54	1-HYD7015	OEM - Fitting, Strt Swvl, 3/8
60	1-MSC8001	OEM - 13-Pin Wiring Harness Vehicle Side 08 & Newer
61	1-MSC8881	OEM - 13 - Pin Plow Side Wiring Harness 08 & Newer
62	HYD1684	Cable Power / Ground 92 Inch Vehicle Side
63	HYD1690	Cable Power / Ground 36 Inch Plow Side
64	HYD1633	12V, 4 Post, Heavy Duty Solenoid
66	1-MSC3414	OEM - Battery Cable 24 Inch Red
66	1-MSC3465	OEM - Battery Cable 72", Red
67	1-MSC5081	OEM - Dust Cap Kit Power/Ground Vehicle & Plow
68	1-MSC4581	OEM - Weather Plug & Cap Kit
70	1-MSC3813	OEM - Mounting Bracket Control Harness 95 & Up
74	1-MSC4744	OEM - Toggle Switch Kit Smart Hitch 2
75	1-MSC3456	OEM - Rubber Grommet 1-1/8 Inch
76	1-HDW11114	OEM - Headlight Fastener Kit 08 Plus
N/I	1-MSC11101	OEM - Housing Kit, Headlight, 2008 Plus, DS
N/I	1-MSC11102	OEM - Housing Kit, Headlight 2008+ (PS)
N/I	1-MSC11103	OEM - Lens-Reflector Kit-Headlight 2008 DS
N/I	1-MSC11104	OEM - Lens Reflector Kit Headlight 2008 + P.S
N/I	1-MSC11106	OEM - 08 Plus Low Beam Headlight Bulb - Smartlight 2 System
N/I	1-MSC11107	OEM - Bulb, H9 High Beam - Headlight 2008+
N/I	1-MSC11108	OEM - Bulb, 3157 - Turn Signal -Headlight 2008 Plus
77	1-MSC4747	OEM - Switch Rocker Boss Light

Dia. No.	Part No.	Description
78	1-MSC4294	OEM - Light Adapter Relay
79	1-MSC9058	OEM - Cap, Round, Light Bar
82	1-MSC11109	OEM - Mounting Bracket, DS 08 Plus
83	1-MSC11110	OEM - Mounting Bracket, PS 08 Plus
84	1-MSC11120	OEM - Headlight W/Turn, 2008 Plus DS
85	1-MSC11130	OEM - P.S. Headlight w/ Turn - 2008 & Newer plows
89	1-HDW5602	OEM - Bolt, 3/8-16X3/4, Wshr Hd Spnck, GR5, YZN
90	1-HDW1705	OEM - Hex Head Capscrew
90	1-HDW7703	OEM - Bolt, 1-8X4 GR8 Plt
91	1-HDW5534	OEM - Hex Head Cap Screw 5/8-11 X 5-1/2 Inch
91	1-HDW7703	OEM - Bolt, 1-8X4 GR8 Plt
92	1-HDW5521	OEM - Bolt, 3/8-16X2-1/4, GD5, YZN
92	1-HDW5573	OEM - Bolt, 3/8-16X3-1/4, GR5, YZN
94	1-HDW1771	OEM - Hex Head Capscrew
95	1-HDW5573	OEM - Bolt, 3/8-16X3-1/4, GR5, YZN
97	HDW1744	Eyebolt Set, 1/2 Inch With Nuts-Pair - Loop Style
98	1-MSC5056	OEM - Eye Bolt 5/8-11 X 4 Inch Spade With Nut - Pair
98	MSC5056	Eye Bolt 5/8-11 X 4 Inch Spade With Nut - Pair (Aftermarket)
99	1-MSC5077	OEM - Thumb Screw & Nut Kit
100	1-MSC4251	OEM - Pivot Pin Kit RT3
100	MSC4251	Pivot Pin Kit RT3 - Aftermarket
100	1-MSC7697	OEM - Pin Kit, Pivot 10' V-Plow
101	1-MSC4675	OEM - Coupler Spring Kit RT3 Smart Hitch 2 ONLY
102	1-MSC9649	OEM - Horizontal Hinge Kit Pin RT3-V
102	MSC9649	Horizontal Hinge Kit Pin RT3-V - Aftermarket
102	1-MSC9664	OEM - Pin Kit Horiz-Hinge-10'= Old # Was 7694
102	MSC9664	Threaded Horizontal Hinge Pin Kit for 10' V-Plow - Aftermarket
103	1-MSC5674	OEM - 5/8 Inch Lift Cylinder Pin with Hairpin Clip
103	MSC5674	5/8 Inch Lift Cylinder Pin with Hairpin Clip - Aftermarket
104	1-HDW7682	OEM - Pin, Clevis, 3/4X3-3/4, Hrd, YZN
105	1-MSC5076	OEM - Torsion Spring Smart Hitch-Set
111	1-HDW1709	OEM - Self Locking Nut 5/8-11
111	1-HDW7704	OEM - Nut, 1-8, Top L/N, Grc, Cad&Wax, YZN
113	1-HYD1704	OEM - Boss Hydraulic Fluid - Quart
120	1-MSC4687	OEM - Latch Kit, Coupler Tower Smart Hitch-2
120	1-MSC4688	OEM - Latch Kit, Coupler Tower, 10', 2002
221	1-MSC3809	OEM - Joy Stick Assembly V Plow Only
221A	1-MSC4086	OEM - Boss Switch - Joy Stick
221B	1-MSC4087	OEM - Raise Switch, Joystick 3 - Terminal
222	1-MSC9601	OEM - Handheld Power V Control Only
222A	1-MSC9613	OEM - Kit, Handle, Smart Touch 2
222B	1-MSC9614	OEM - Kit, Housing, Pad, Smarttouch
222C	1-MSC9615	OEM - Cord, Smarttouch 2
222D	1-MSC9616	OEM - Control Pad V Blade Smart Touch 2
222E	1-MSC9618	OEM - Circuit Board, V Blade Smart
222F	1-MSC9916	OEM - Boss On/Off Switch, Smart Touch 2
N/I	1-MSC1565	OEM - Snow Deflector
N/I	1-MSC4098	OEM - Boss Spray Touch Up Paint
N/I	1-MSC4036	OEM - Paint, Black Spray
N/I	1-MSC3423	OEM - Dielectric Grease, 10 oz Tube
N/I	1-BAR0498	OEM - Curb Guard Kit Passenger Side Vee
N/I	1-BAL0898	OEM - Curb Guard Kit, DS, V
N/I	1-MSC4298	OEM - Emergency Parts Kit, RT3
N/I	1-MSC8042C	OEM - Blade Wing Ext Kit - Fits Most V's and Straights - Excludes RT2 and RT3 With SH1
N/I	1-MSC8063B	OEM - Blade Wing Ext Kit XT V Plow Models Only
N/I	1-MSC9644	OEM - Sight System Kit, RT3
N/I	1-MSC9845	OEM - Ballast Retainer Kit

BOSS® Hydraulic Power Unit Replacement Parts

HYD1710 / HYD7695

BOSS®



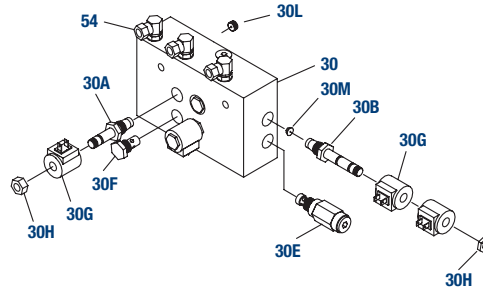
Dia No.	Part No.	Description
-	1-HYD1710	OEM - Power Unit with 2 Quart Reservoir
-	1-HYD7695	OEM - Power Unit 3 Quart 12 Inch Reservoir & Plug (10' 0" Plows)
30A	1-HYD1636	OEM - Hydraulic Pump Filler Cap
30B	HYD1563-2	Motor 12V - Two Post - Counter Clock Wise
30B	1-HYD9328	OEM - Motor Kit, 12V
30C	1-HYD1712	OEM - Magnetic Drain Plug, Barnes 95 & Newer
30D	1-HYD1693	OEM - Valve Relief Kit / Power Unit
30E	1-HYD4814	OEM - 2 Quart Reservoir With Remote Port
30E	1-HYD4815	OEM - Reservoir 3 Quart With Remote Port
30G	1-MS5078	OEM - Fill Cap And Elbow Kit
30H	1-HYD1694	OEM - Pump Only Barnes Power Unit
30I	1-HYD1671	OEM - Shaft Adapter Barnes Power Unit
30J	1-HYD1670	OEM - Seal Kit
G	1-HYD1699	OEM - Strainer Pump
32	1-HYD1704	OEM - Boss Hydraulic Fluid - Quart
54	HYD1620	90 Degree Swivel
N/I	1-MS59850	OEM - Ground Strap Kit, Motor (Serial # less than G4750 or 94900)

BOSS® Hydraulic Valve Assembly Replacement Parts

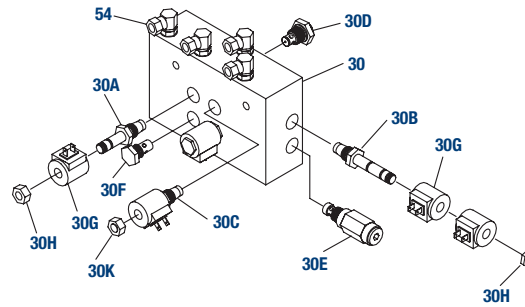
BOSS®

STRAIGHT BLADES

1-HYD7090 (Green Block)



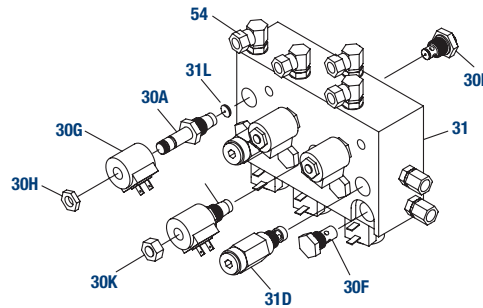
1-HYD7091 (Red Block)



WIRE COLOR	WIRE FUNCTION
Green	Blade Left
Red	Blade Right
White	Lift
Orange	Lower
Red/Black	Blade Right
Blue	Blade Left
Black	SmartHitch2™ (12V)
Brown	Ground

V-BLADES

1-HYD7092, 1-HYD7044

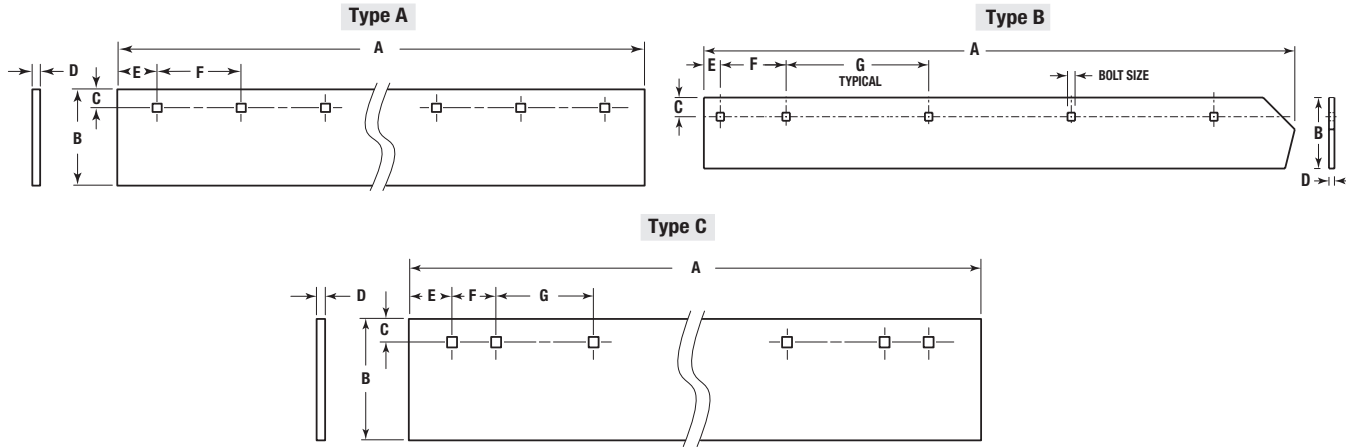


WIRE COLOR	WIRE FUNCTION
Green	Right Wing In
Red	Right Wing Out
White	Lift
Orange	Lower
Red/Black	Left Wing In
Blue	Left Wing Out
Black	SmartHitch2™ (12V)
White/Black	Pump Solenoid
Brown	Ground

Dia No.	Part No.	Description
	30	1-HYD7090 OEM - Valve Assy, RT3, STR, SH2 w/ Ground 07 (Green Block)
	30	1-HYD7091 OEM - Valve Assy, RT3, STR, SH2 w/ Ground 07 (Red Block)
	30A	1-HYD1637 OEM - Hydraulic Valve Lift & Angle
	30B	1-HYD7100 OEM - Angle Cartridge Valve For Manifold (HYD7081)
	30C	1-HYD7047 OEM - Valve Cartridge
	30D	1-HYD7048 OEM - Flow Restrict Valve
	30E	1-HYD7027 OEM - Valve, Relief Cartridge for HYD7019, 7090, 7091
	30F	1-HYD1640 OEM - Check Valve
	30G	1-HYD1638 OEM - Hydraulic Valve Coil
	30H	1-HYD7059 OEM - Nut, Coil, Solenoid Valve HYD1637, 07029
	30K	1-HYD7060 OEM - Nut for HYD7047 Cartridge
	30L	1-HYD7120 OEM - Orifice Plug, .120 ID - LWR on HYD7090
	30M	1-HYD7068 OEM - Orifice, STB, ANG, .50 OD X .068 ID SAE # 8 (07plus)
	31	1-HYD7092 OEM - Valve Assembly RT3 V's (7.6 - 9.2)
	31	1-HYD7044 OEM - 10 Foot V Plow Hydraulic Valve Assembly
	31D	1-HYD1639 OEM - Hydraulic Relief Valve
	31L	1-HYD7108 OEM - Orifice, V, .50 OD X .08 ID, (1 Per Wing - Excludes 10' V)
	54	HYD1620 90 Degree Swivel
	N/I	1-MSC8851 OEM - Ground Harness, Manifold, Straight Blade
	N/I	1-MSC8850 OEM - Ground Harness, Manifold, V Blade

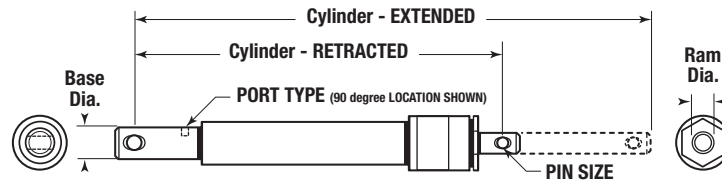
BOSS® Edges, Cylinders, & Seal Kits

EDGES



Part No.	OEM No.	Bolt Kit	Description	Type	A	B	C	Bolt Size	No. of Holes	D	E	F	G
STB3071	STB03071	BAX0034	3/8" X 6" X 90" Edge	A	90"	6"	1"	1/2"	8	3/8"	3.00"	12.00"	
STB3002	STB03002	BAX0034	1/2" X 6" X 90" Edge	A	90"	6"	1"	1/2"	8	1/2"	3.00"	12.00"	
BAX00097	BAX00097	M08318	7.6 V Half Cut Edge	B	43.88"	6"	1.62"	5/8"	4	1/2"	1.50"	12.00"	12.00"
BAX00098	BAX00098	M08318	8.2 V Half Cut Edge	B	47.88"	6"	1.62"	5/8"	4	1/2"	1.50"	13.00"	13.00"
BAX00099	BAX00099	M08318	9.2 V Half Cut Edge	B	53.00"	6"	1.62"	5/8"	5	1/2"	1.50"	6.00"	13.00"
BAX07627	BAX07627	M08318	10.0 V Half Cut Edge	B	59.13"	6"	1.62"	5/8"	5	5/8"	1.50"	12.00"	12.00"
STB9544	STB09544	M08184	1/4" X 6" X 84" Edge	C	84"	6"	1"	1/2"	7	1/4"	6.00"	12.00"	12.00"
STB3003	STB03003	B50132	1/2" X 6" X 96" Edge	C	96"	6"	1"	1/2"	10	1/2"	2.00"	4.00"	12.00"
STB0317	STB00317	M08318	1/2" X 8" X 96" Edge	C	96"	8"	1"	5/8"	10	1/2"	2.00"	4.00"	12.00"
STB3072	STB03072	B50132	1/2" X 6" X 102" Edge	C	102"	6"	1"	1/2"	10	1/2"	3.00"	6.00"	12.00"
STB0318	STB00318	M08318	1/2" X 8" X 102" Edge	C	102"	8"	1"	5/8"	10	1/2"	3.00"	6.00"	12.00"
STB3242	STB03242	B50132	1/2" X 6" X 108" Edge	C	108"	6"	1"	1/2"	10	1/2"	3.00"	9.00"	12.00"
STB0319	STB00319	M08318	1/2" X 8" X 108" Edge	C	108"	8"	1"	5/8"	10	1/2"	3.00"	9.00"	12.00"
STB7537	STB07537	M08318	1/2" X 6" X 120" Edge	C	120"	6"	1"	5/8"	12	1/2"	3.00"	3.00"	12.00"

CYLINDERS



Part No.	OEM No.	Bore X Stroke	Acting	Retracted	Extended	Ram Dia.	Base Dia.	Pin Size	Port Type	Port Location (Degree)
HYD1603	HYD01603	1-1/2" X 10"	Single	17"	27"	1-1/2"	2-3/8"	5/8"	3/8" NPT	Inline
HYD7013	HYD07013	1-1/8" X 10"	Single	17"	27"	1-7/16"	1-3/4"	5/8"	3/8" NPT	90°
HYD8830	HYD08830	1/2" X 10"	Double	15-3/4"	25-3/4"	2-1/8"	2-1/8"	5/8"	#6 SAE - Ram 1/4" NPT - Base	90° & 180°

CYLINDER SEAL KITS

Part No.	Description
1-HYD1659	OEM - Seal Kit For HYD7014 & HYD1603 Cylinder
1-HYD7035	OEM - Seal Kit, Locking Cylinder HYD7034
1-HYD7688	OEM - Seal Kit, Angle Cylinder, 10'
1-HYD7025	OEM - Seal Kit, Lift Cylinder RT3, HYD7013
1-HYD7686	OEM - Seal Kit, Lift Cylinder 10' V Plow

HOSES

Part No.	Description
HYD1696	Hose 1/4 Inch X 12 Inch
HYD7020	Hose 1/4 Inch X 15 Inch
HYD1695	Hose 1/4 Inch X 15-1/2 Inch
1-HYD1695	OEM - Hyd Hose 1/4 Inch X 15-1/2 Inch
HYD9922	Hose 1/4 Inch X 18 Inch
1-HYD9922	OEM - Lift Hose 1/4 Inch X 18-3/8 Inch
HYD12825	Hose 1/4 Inch X 30 Inch

Part No.	Description
HYD1810	Hose 3/8 Inch X 34 Inch
1-HYD1810	OEM - Angle Hose 3/8 Inch X 34 Inch
HYD7575	Hose 3/8 Inch X 40 Inch
HYD7042	Hose 3/8 Inch X 42 Inch
1-HYD7042	OEM - Hyd Hose 3/8 Inch X 40 Inch MNPT
HYD7714	Hose 3/8 Inch X 44 Inch
HYD1707	Hose 3/8 Inch X 48 Inch

FITTINGS

Part No.	Description
HYD1620	90 Degree Swivel
HYD7018	90 Degree Swivel
HYD7078	Breather, 1/4 Inch MP
1-HYD7046	OEM - Hyd Fit 90 Deg 1/8"MNPT to 1/4"FNPT

VALVES, COILS, & ASSEMBLIES

Part No.	Description
1-HYD1637	OEM - Hydraulic Valve Lift & Angle
1-HYD1639	OEM - Hydraulic Relief Valve
1-HYD7029	OEM - Ang Cart Vlv 5/8" X 3-7/8" HYD7074
1-HYD7047	OEM - Valve Cartridge

Part No.	Description
1-HYD7048	OEM - Flow Restrict Valve
1-HYD7100	OEM - Ang Cart Vlv HYD7081
1-HYD1638	OEM - Hydraulic Valve Coil
1-HYD7030	OEM - Valve Coil

HARNESSES

Part No.	Description
MSC4754	13 - Pin Plow Side Repair Harness - Male
MSC4753	13 - Pin T.S. Repair Hrns - Female
1-MSC8881	OEM - 13 - Pin P.S. Wire Hrns 08 +
1-MSC8001	OEM - 13-Pin Wiring Hrns T.S. 08 & Newer

Part No.	Description
HYD1690	Cable Power / Ground 36 Inch Plow Side
HYD1684	Cable Pwr / Grnd 92 Inch Vehicle Side
1-MSC3741	OEM - 11-Pin Light & Cntrl Hrns 48" P.S. - O/S SH1
1-MSC3742	OEM - 11-Pin Light & Cntrl Hrns 116" T.S. - O/S SH1

CONTROLLERS

Part No.	Description
1-MSC9601	OEM - Handheld Power V Control Only
1-STB9602	OEM - Cntrl Only Str Bid Smart Touch
STB9602	Boss Straight Blade Plow Controller
1-STB15104	OEM - Control Kit RT3 With Sh2 Straight



1-STB9602



1-MSC9601

13-Pin Light & Control Harness Identification

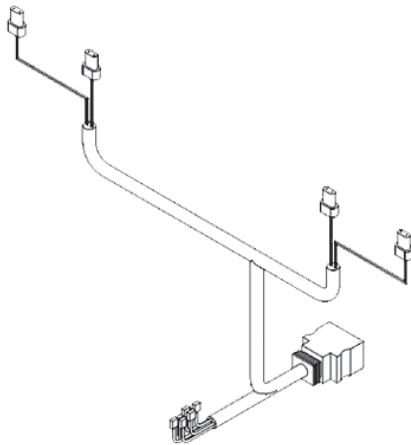
NOTE: When changing just one (1) side of the BOSS® 13-Pin Light & Control Harness, MUST make sure that you are replacing proper match based on information below. CANNOT Mix “NEW Style” with “OLD Style”

BOSS®

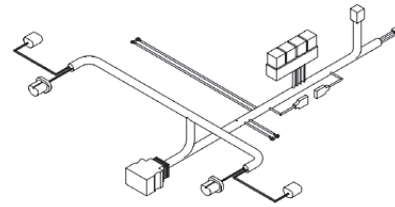
“OLD Style” 13-Pin Light & Control Harness

HEADLAMP PLUGS - 2 EACH SIDE

4 RELAYS



Plow Side Repair End MSC4754
(13-Pin “OLD Style” Plow Side)

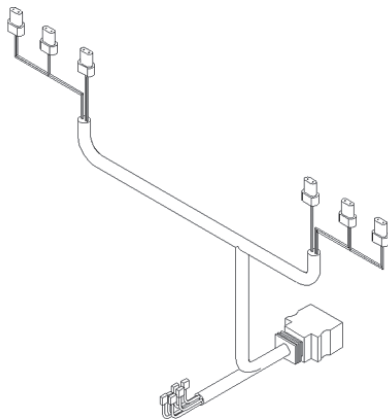


Vehicle Side Repair End MSC4753
(13-Pin “OLD Style” Vehicle Side)

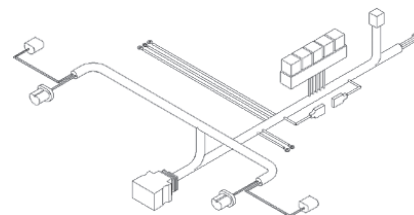
“NEW Style” 13-Pin Light & Control Harness

HEADLAMP PLUGS - 3 EACH SIDE

5 RELAYS



1-MS8881 (13-Pin “NEW Style” Plow Side)
Plow Side Repair End MSC4754



1-MS8001 (13-Pin “NEW Style” Plow Side)
Vehicle Side Repair End MSC4753

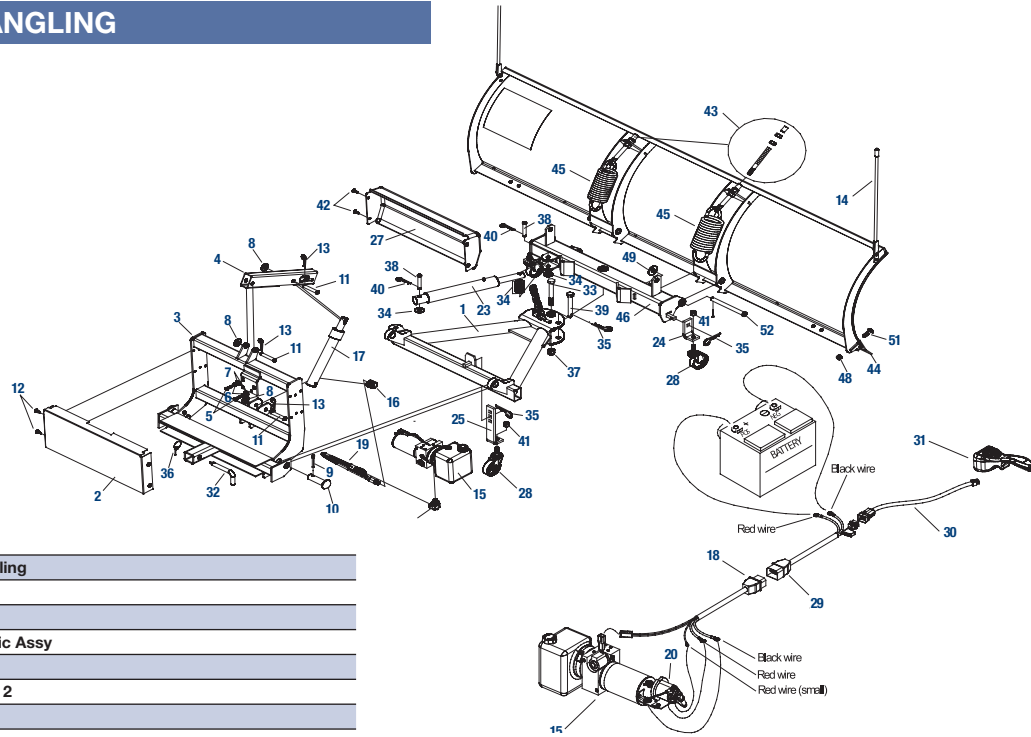
Headlight Bulb Cross-Reference

HEADLAMP BULB TYPE		SYSTEM TYPE	MANUFACTURER/VEHICLE MODEL YEAR	CONFIGURATION	
2A1 Low 4652 H4656	1A1 High 4651 H4651	4 Lamp Rectangular	Chevy/GMC - 1988 thru 2000		
HB5 H9007		Replacement Bulb	Ford F Series - 1999 thru 2004 Dodge W Series - 2003 thru 2004		
LF Low H4703	UF High H4701	4 Lamp Rectangular			
HB4 Low H9006	HB3 High 09005	Replacement Bulb	Chevy/GMC - 1988 thru 2000		
2E1 H4666 H6545 HP6545		2 Lamp Rectangular			
HB1 H9004		Replacement Bulb	Dodge W Series - 1999 thru 2002		
HB4 Low H9006	HB3 High H9005	Replacement Bulb	Chevy/GMC -1999 thru 2002 vehicles Avalanche - 2002 thru 2003 DRL separate from truck headlamps		
2D1 6014 H6014 6015 H6017 H6024	2B1 6052 H6052 H6054 HP6054 H5054 H6054LL	HB2 H9003 H9003LL	2 Lamp Round 2 Lamp Rectangular	Chevy/GMC - 1988 thru 2000 Ford F Series - Excursion - 2005 and later	
HB5 H9007	HB1 H9004	Replacement Bulb	Dodge Ram Sport 1999 US models only Quad headlamps		
HB4 Low H9006	HB3 High H9005	Replacement Bulb	Nissan Titan 2005 and later		
HB4 Low 99006	HB3 High H9005	Replacement Bulb	Chevy Blazer, S10 and Sonoma 1998 and up		
HB5 H9007	HB1 H9004	Replacement Bulb	Dodge Ram Sport - 1999 and up US and Canadian models Quad headlamps		
H11 Low	HB3 High H9005	Replacement Bulb	Chevy X88/GMC Z88 K 1500/2500 Series Tahoe 1/2 ton, Suburban 3/4 ton - 2007 and up DRL on headlamps		
H13 H9008		Replacement Bulb	GMC Z88 Utility Yukon 1/2 ton, Yukon XL 3/4 ton - 2007 and up DRL on headlamps		
H13 H9008		Replacement Bulb	GMC Z88 Utility - 2007 and later		
H13 H9008		Replacement Bulb	Chevy X88 Utility - 2007 and later		
H11 Low	HB3 High 09005	Replacement Bulb	Toyota Tundra - 2007 and later		
HB4 Low H9006	HB3 High H9005	Replacement Bulb	Chevy/GMC - 2003 thru 2006 vehicles Avalanche - 2003 thru 2006 DRL separate from truck headlamps		
TBA		N/A	International Trucks - 2000 and up Vehicle must have the manufacturer's snow plow lighting option 08THJ Special light connector is located behind the left headlamp		
H13 H9008		Replacement Bulb	Ford F Series - Excursion - 2005 and later Dodge - 2005 and 2006		
HB4 Low 09006	HB3 High H9005	Replacement Bulb	Chevy Trailblazer - 2002 and later		

Meyer® Snow Plow Replacement Parts - Home Plow Auto Angling

HOME PLOW AUTO ANGLING

Meyer®

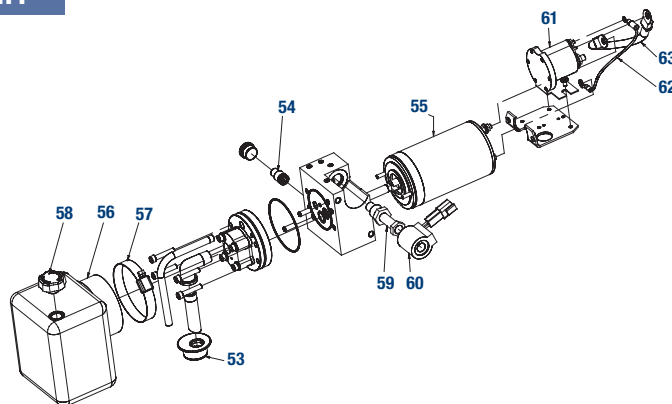


Dia No	Part No	Description
-	1-M25000	HomePlow Auto Angling
1	1-M13095	A- Frame
2	1-M13129	Rear Cover
3	1-M13201	Lift Frame & Hydraulic Assy
4	1-M13142	Lift Arm
5	1-M20027	Bolts 5/16-18 x 1" Gr 2
6	1-M20326	Lockwasher 5/16"
7	1-M20352	Flatwasher 5/16"
8	1-M20355	Flatwasher 1/2"
9	1-M20420	Cotter Pin 1/4 x 2"
10	1-M22436	Pin 1" x 3"
11	1-M22816	Pivot Pin 1/2" x 3"
12	1-M22821	Cover Fastener
13	1-M22845	Hair Pin 1/8" x 1-5/16"
14	1-M09917	Plow Marker Kit
15	1-M13853	Auto Angling Hydraulic Unit Assy
16	1-M22460	90 degree Elbow SAE 6
17	1-M05816	Lift Cylinder 1" x 6" SAE 6
18	1-M22822	Plow Side Harness
19	1-M22427	Hose Assembly SAE 6
20	1-M05028	Motor Solenoid
21	1-M05026	Power Cable
22	1-M05027	Motor Solenoid Ground Wire
	1-M08258	Plow Parts Carton
23	1-M07650	Dual Compression Spring Ram
24	1-M13146	Cart Pivot Bracket
25	1-M13147	Cart Jack Bracket
26	1-M15134	Quart Meyer M-1 Hydraulic Fluid
27	1-M15636	Front Cover
28	1-M22818	Plow Cart Caster
29	1-M22823	Vehicle Side Harness
30	1-M22825	Vehicle Side Harness Extension

Dia No	Part No	Description
31	1-M22826	Auto Angling Controller
	1-M08245	Mounting Hardware Bag
32	1-M11101	Hinge Pin
33	1-M20152	Bolt 5/8-11 x 5" Gr 5
34	1-M20355	Flatwasher 1/2"
35	M21984	Hairpin Cotter
36	M22083	Lynch Pin
37	1-M20309	Locknut 5/8-11
38	1-M22816	Pivot Pin 1/2" x 3"
39	1-M22820	Fixed Angle Pin
40	1-M22845	Hair Pin 1/8" x 1-5/16"
41	1-M20307	Locknut 1/2-13
42	1-M22821	Cover Fastener
	1-M09325	HP-6'8" Moldboard & Pivot Assy
43	M09124	Eye Bolt Kit
44	1-M09323	Cutting Edge
45	1-M12978	Trip Spring
46	1-M13110	Pivot Bar
48	1-M20307	Locknut 1/2-13
49	1-M20357	Flatwasher 5/8"
51	1-M21943	Bolt 1/2-13 x 1-3/4" Gr 5
52	1-M22720	Pivot Pin 5/8 x 7"

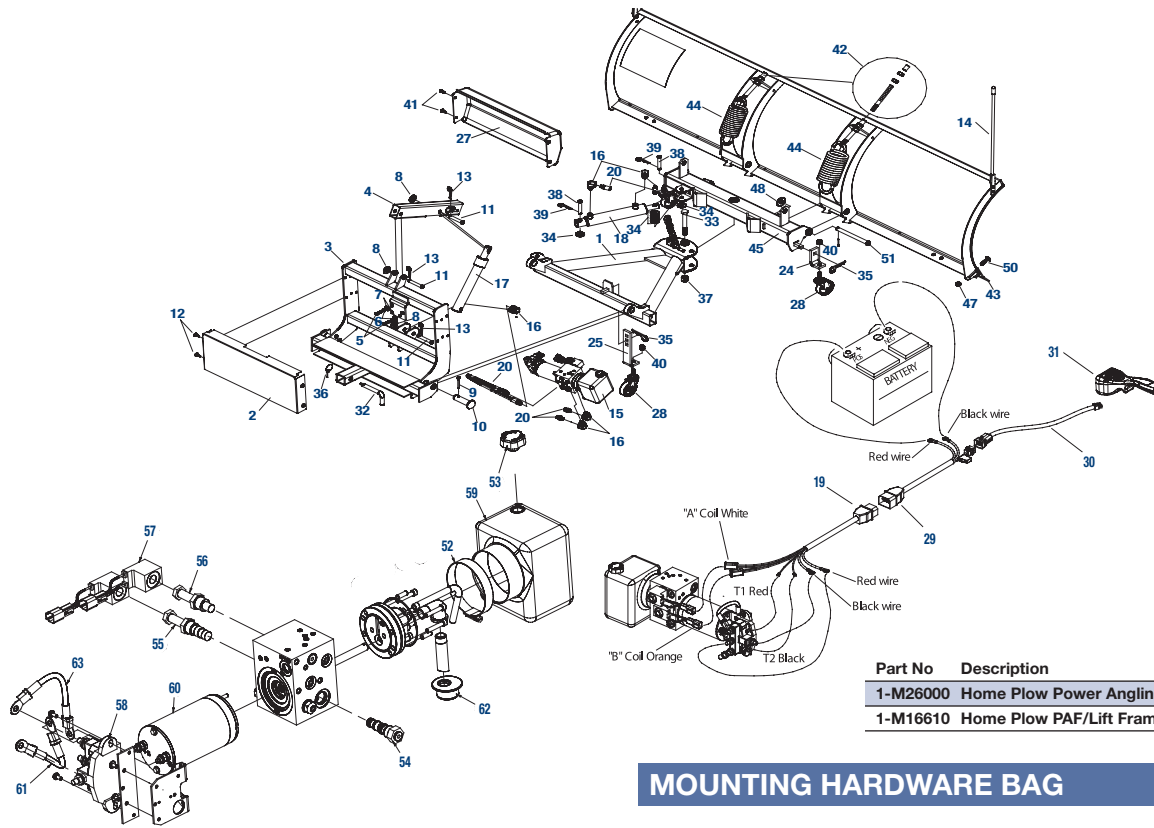
HOME PLOW AUTO ANGLING - HYDRAULIC UNIT

Dia No	Part No	Description
	1-M13853	Home Plow Auto Angling Hydraulic Unit
53	1-M15101	Filter Screen
54	1-M15142	Poppet Assy
55	1-M15143	Motor 12 VDC
56	1-M15144	Reservoir
57	1-M15145	Hose Clamp 2-9/16" -3-1/2"
58	1-M15067	Reservoir Breather
59	1-M15146	"S1" Cartridge Valve
60	1-M15147	"S1" Coil
61	1-M05028	Motor Solenoid
62	1-M05027	Motor Solenoid Ground Wire
63	1-M05026	Power Cable 5'



Meyer® Snow Plow Replacement Parts - Home Plow Power Angling

Meyer®



Part No	Description
1-M26000	Home Plow Power Angling
1-M16610	Home Plow PAF/Lift Frame Power Angling

LIFT FRAME & HYDRAULIC ASSEMBLY

Dia No	Part No	Description
-	1-M13155	Lift Frame & Hydraulic Assy
1	1-M13095	A-Frame
2	1-M13129	Rear Cover
3	1-M13201	Lift Frame
4	1-M13142	Lift Arm
5	1-M20027	Bolt 5/16-18 x 1" Gr. 2
6	1-M20326	Lockwasher 5/16"
7	1-M20352	Flatwasher 5/16"
8	1-M20355	Flatwasher 1/2"
9	1-M20420	Cotter Pin 1/4" x 2"
10	1-M22436	Pin 1" x 3"
11	1-M22816	Pivot Pin 1/2" x 3"
12	1-M22821	Cover Fastener
13	1-M22845	Hair Pin 1/8" x 1-5/16"
14	1-M09917	Plow Marker Kit
15	1-M13854	Power Angling Unit
16	1-M22460	90° Elbow SAE 6
17	1-M05816	Lift Cylinder 1" x 6" SAE 6
18	1-M05817	Dual Acting Angle Cylinder
19	1-M22824	Plow Side Harness
20	1-M22427	Hose Assembly
21	1-M05029	Motor Solenoid
22	1-M05030	Power Cable 9"
23	1-M05026	Power Cable 5"

PLOW PARTS CARTON

Dia No	Part No	Description
-	1-M08263	Plow Parts Carton
24	1-M13146	Cart Pivot Bracket
25	1-M13147	Cart Jack Bracket
26	1-M15134	Quart Meyer M-1 Hydraulic Fluid
27	1-M15636	Front Cover
28	1-M22818	Plow Cart Caster
29	1-M22823	Vehicle Side Harness
30	1-M22825	Vehicle Side Harness Extension
31	1-M22827	Power Angling Controller

MOUNTING HARDWARE BAG

Dia No	Part No	Description
-	1-M08264	Mounting Hardware Bag
32	1-M11101	Hinge Pin
33	1-M20152	Bolt 5/8-11 x 5" Gr. 5
34	1-M20355	Flatwasher 1/2"
35	M21984	Hairpin Cotter
36	M22083	Linch Pin
37	1-M20309	Locknut 5/8 - 11
38	1-M22816	Pivot Pin 1/2" x 3"
39	1-M22845	Hair Pin 1/8" x 1-5/16"
40	1-M20307	Locknut 1/2 - 13
41	1-M22821	Cover Fastener

MOLDBOARD & PIVOT ASSEMBLY

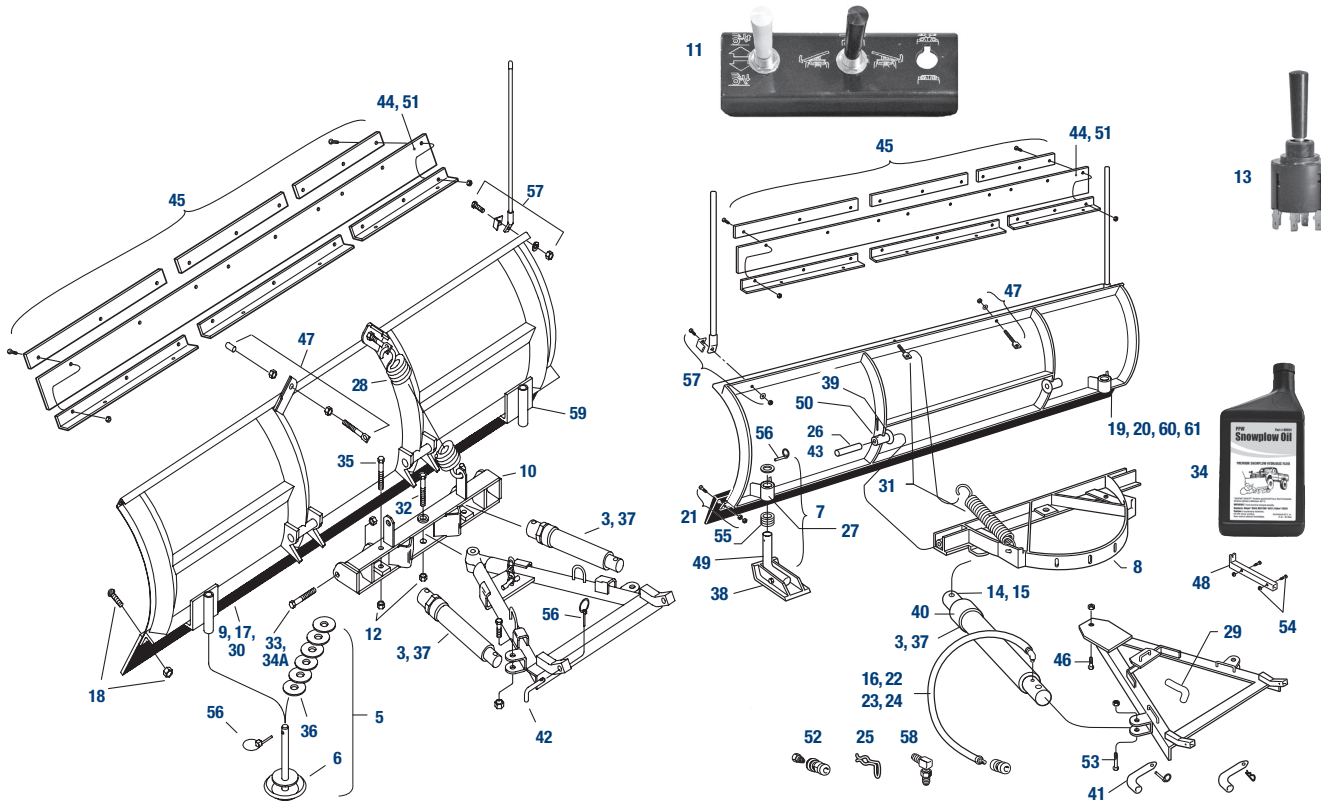
Dia No	Part No	Description
-	1-M09325	HP - 6'8" Moldboard & Pivot Assembly
42	M09124	Eye Bolt Kit
43	1-M09323	Cutting Edge
44	1-M12978	Trip Spring
45	1-M13110	Pivot Bar
47	1-M20307	Locknut 1/2 - 13
48	1-M20357	Flatwasher 5/8"
50	1-M21943	Bolt 1/2 - 13 x 1-3/4" Gr. 5
51	1-M22720	Pivot Pin 5/8 x 7"

HYDRAULIC UNIT - POWER ANGLING

Dia No	Part No	Description	Dia No	Part No	Description
-	1-M13854	Home Plow Power Angling Hydraulic Unit	57	1-M15150	"S1" & "S2" Coil
52	1-M15145	Hose Clamp 2-9/16" - 3-1/2"	58	1-M05029	Motor Solenoid
53	1-M15067	Reservoir Breather	59	1-M15144	Reservoir
54	1-M15148	Check Valve Cartridge	60	1-M15143	Motor 12 VDC
55	1-M15149	"S2" Cartridge Valve	61	1-M05026	Power Cable 5"
56	1-M15146	"S1" Cartridge Valve	62	1-M15101	Filter Screen
			63	1-M05030	Power Cable 9"

Meyer® Snow Plow Replacement Parts - TM/TMP/ST/STP Series

Meyer®

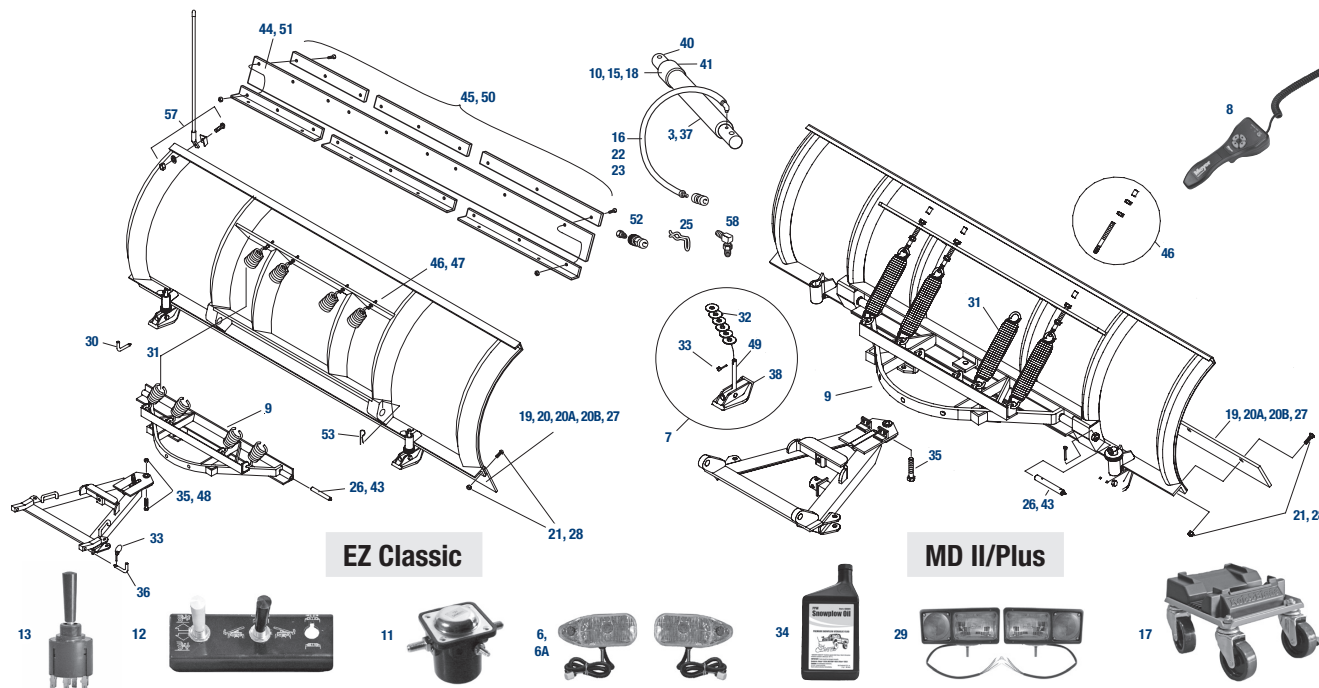


Dia. No.	Part No.	Description
	3	M05810 Angling Cylinder 1-1/2" X 10"
	5	1-M09127 OEM - Runner Assembly 2 Meter Round
	6	1-M10853 OEM - Runner Mushroom Weldment
	7	M09126 Shoe Assembly St-78 / C-8.5
	8	M12326 Sector 11" Std Plow
	9	1-M09104 OEM - Cut Edge Steel Tm-6.0
	10	1-M12984 OEM - Pivot Bar Weld
	11	1-M15346 OEM - Toggle Switch Control Kit
	12	1-M20309 OEM - Locknut ESNA 5/8-11 Zinc
	13	1-M22092C OEM - Control - Single Lever C-Pk
	14	M05752 Angling Cylinder 2" X 12"
	15	M05984 Lift Cylinder 1-1/2" X 6"
	16	M21856 Hose With Swivel 1/4" X 45"
	17	M09100 6.5 Cutting Edge 3/8" X 78"
	18	M08486 Bolt Package for Two Meter Cutting Edge
	19	M09796 7.6 St Cutting Edge 3/8" X 90"
	20	M09796HD 7.5 St Cutting Edge 1/2" X 90"
	21	M08184 Blade Bolt Package 1/2" X 2" - 9 pcs
	21	M08184C Blade Bolt Package 1/2" X 2" - 9 pcs - C-Pk
	22	M21866 Hose With Swivel 65"
	23	M21867 Hose With (2) Swivels 70"
	24	M21868 Hose With Swivel 70"
	25	1-M07107 OEM - Clip Spring
	26	M08554C Pivot Pin With Grease Fitting 2Ea
	27	1-M12907 OEM - Formed Runner Bracket
	28	1-M12978 OEM - Trip Spring
	29	1-M13003 OEM - 5/8" Sector Pin For Standard Plow
	30	1-M09105 OEM - Cut Edge Steel TMP/TM 7.0
	31	M07017 Trip Spring
	32	1-M13591C OEM - King Bolt W/Grease Fitting C-Pk
	33	1-M13598 OEM - Pivot Bolt With Grease Fitting, (Pre May 03)
	33A	1-M13753 OEM - Pivot Bolt, (After May 03)
	34	U0001 Universal Quart Oil (Replc 15134, 49311 & 28531)
	34	U0001-12 Universal Oil - Case (12 Qrts)
	35	1-M20150 OEM - Bolt 5/8-11 X 4-1/2"-Grade 5
	36	1-M20359 OEM - 3/4" Shoe Washer (09127)

Dia. No.	Part No.	Description
	37	M05437 Angling Cylinder 1-1/2" X 12"
	38	M07006 Shoe-Runner Only St78/C8.5
	39	M07141 Two Washers (For Tube)
	40	1-M07832 OEM - 1-1/2" Gland Nut & Wiper Kit
	41	M08562 Hinge Pin With Linch Pin - Pair
	41	M08562C Hinge Pin With Linch Pin - Pair, C-Pk
	42	1-M11006 OEM - Hinge Pin
	43	M09119 Two Pivot Pins With Cotter Pin
	44	M12901 120" Replc Rubber For Snow Deflector
	45	M1580 Snow Deflector Fits 78"-90" Plows
	46	M09122 5/8" King Bolt Assembly Standard Plow
	47	M09124 5/8" Eyebolt With 2 Nuts
	47	M09124C 5/8" Eyebolt With 2 Nuts - C-Pk
	48	M10514 Lift Arm Weld
	49	M12057 Spindle Only St-78/M-10
	50	M12149 Two Pivot Pin Tubes
	51	M12900 96" Replc Rubber For Snow Deflector
	52	M15072 1/4" "Ball" Style Quick Coupler
	52	M15072C 1/4" "Ball" Style Quick Coupler - C-Pk
	53	M20146 Bolt 5/8-11 X 3-3/4" Grade 5 With Locknut
	54	M20148 Bolt 5/8-11 X 3-3/4" Grade 5
	55	M20363 Flat Washer 1-1/4"
	56	M22083 Linch Pin
	57	M09916 Yellow Blade Guide-Pair
	57	M09916H Yellow Blade Guide-Pair, Header Tagged
	58	M21855 Swivel Elbow 1/4" X 90 Degree
	58	M21855C Swivel Elbow 1/4" X 90 Deg C-Pk
	59	1-M12120 OEM - Runner Bracket Assy
	60	M09132 7.0 St Cutting Edge 3/8" X 84"
	61	M09132HD Meyer Cutting Edge 1/2" X 6" X 84"
N/I	1-M13004C	OEM - 3/4" Sector Pin Clam Packaged
N/I	1-M07027	OEM - Meyer Aerosol Paint 12 Oz
N/I	W25205	1-1/2" Packing Set With Wiper
N/I	W25205H	1-1/2" Packing Set W/Wiper, Header Tagged

Meyer® Snow Plow Replacement Parts - C/CP/CM Series

Meyer®



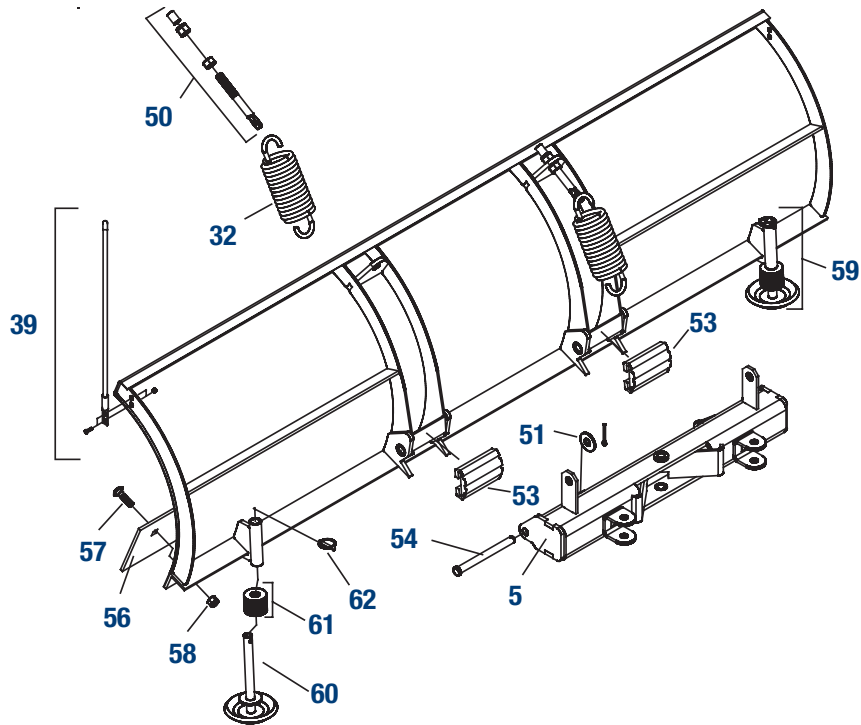
Dia. No.	Part No.	Description
	3	M05810 Angling Cylinder 1-1/2" X 10"
	6	1-M07234 OEM - Nite Saber Light Carton
	6A	1-M07550 OEM - Light Set Nite Saber 2 With Module
	7	M09126 Shoe Assembly St-78 / C-8.5
	8	1-M22690 OEM - Straight Blade Control With Adapter
	9	1-M12793 OEM - Sector C-7.5 / HMP - 10.0
	10	M05752 Angling Cylinder 2" X 12"
	11	M15370 Motor Solenoid
	12	1-M15346 OEM - Toggle Switch Control Kit
	13	1-M22092C OEM - Control - Single Lever C-Pk
	15	M05984 Lift Cylinder 1-1/2" X 6"
	16	M21856 Hose With Swivel 1/4" X 45"
	17	RBC2 Rol-A-Blade Caster Set - 3 pcs
	18	M05437 Angling Cylinder 1-1/2" X 12"
	19	M09796 7.6 St Cutting Edge 3/8 Inch X 90 Inch
	20	M09796HD 7.5 St Cutting Edge 1/2 Inch X 90 Inch
	20A	M09133 8.0 C Cutting Edge 1/2 Inch X 96 Inch
	20B	M09134 8.6 C Cutting Edge 1/2 Inch X 102 Inch
	21	M08184 Blade Bolt Package 1/2 Inch X 2 Inch - 9 pcs
	21	M08184C Blade Bolt Package 1/2 Inch X 2 Inch - 9 pcs - C-Pk
	22	M21866 Hose With Swivel 65"
	23	M21867 Hose With (2) Swivels 70"
	25	1-M07107 OEM - Clip Spring
	26	M08554C Pivot Pin With Grease Fitting 2Ea
	27	M07259 9.0 Cutting Edge 1/2 Inch X 108 Inch
	28	M08318 Blade Bolt Package 5/8 Inch X 2-1/2 Inch - 12 pcs
	29	64261-4 Universal Snow Plow Light Kit
	30	1-M13004C OEM - 3/4" Sector Pin Clam Packaged
	31	M07017 Trip Spring
	32	M20363 Flat Washer 1-1/4

Dia. No.	Part No.	Description
	33	M22083 Linch Pin
	34	U0001 Universal Quart Oil (Replc 15134, 49311 & 28531)
	34	U0001-12 Universal Oil - Case (12 Qrts)
	35	M09125 3/4" King Bolt Assembly
	36	1-M11101 OEM - Hinge Pin
	37	M05437 Angling Cylinder 1-1/2" X 12"
	38	M07006 Shoe-Runner Only St78/C8.5
	40	1-M07832 OEM - 1-1/2" Gland Nut & Wiper Kit
	41	1-M07831C OEM - Angle Ram Seal Kit-1pc (05810)
	43	M09119 Two Pivot Pins With Cotter Pin
	44	M12901 120" Replc Rubber For Snow Deflector
	45	M1580 Snow Deflector Fits 78"-90" Plows
	46	M09124 5/8 Inch Eyebolt With 2 Nuts
	46	M09124C 5/8 Inch Eyebolt With 2 Nuts - C-Pk
	49	M12057 Spindle Only St-78/M-10
	50	M12898 Deflector Kit 8.5Ft To 10.0
	51	M12900 96" Replc Rubber For Snow Deflector
	52	M15072 1/4 Inch "Ball" Style Quick Coupler
	52	M15072C 1/4" "Ball" Style Quick Coupler - C-Pk
	53	M21984 Hairpin Cotter
	57	M09916 Yellow Blade Guide-Pair
	57	M09916H Yellow Blade Guide-Pair, Header Tagged
	58	M21855 Swivel Elbow 1/4" X 90 Degree
	58	M21855C Swivel Elbow 1/4" X 90 Deg C-Pk
	N/I	BLHP200 Locking Hitch Pin 5/8" X 3"
	N/I	W25205 1-1/2 Inch Packing Set With Wiper
	N/I	W25205H 1-1/2" Packing Set W/Wiper, Header Tagged
	N/I	1-M07027 OEM - Meyer Aerosol Paint 12 Oz

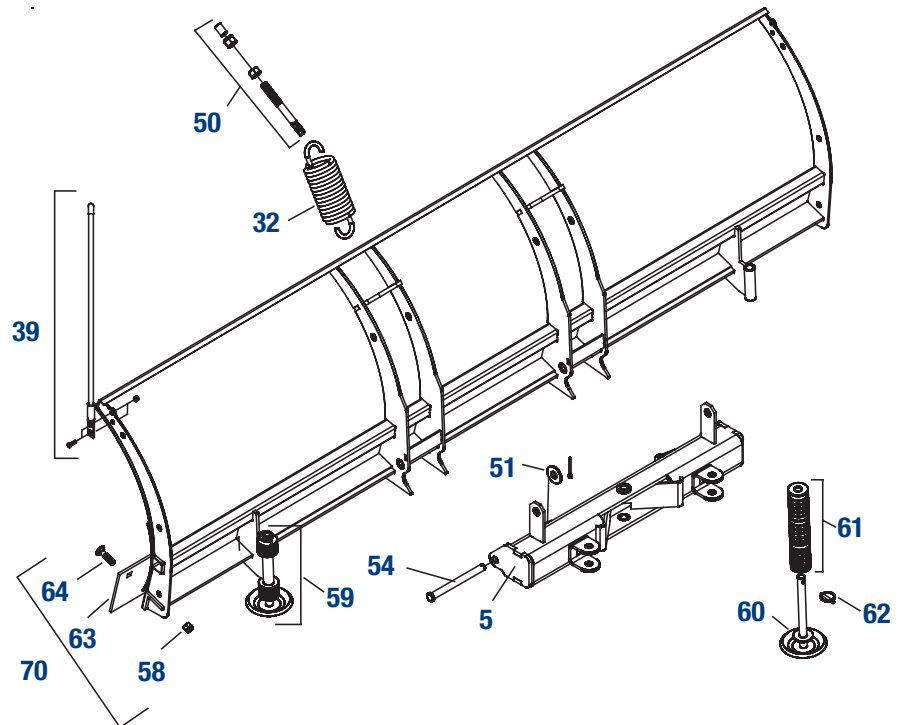
Meyer® Snow Plow Replacement Parts - Drive Pro™ Series

Meyer®

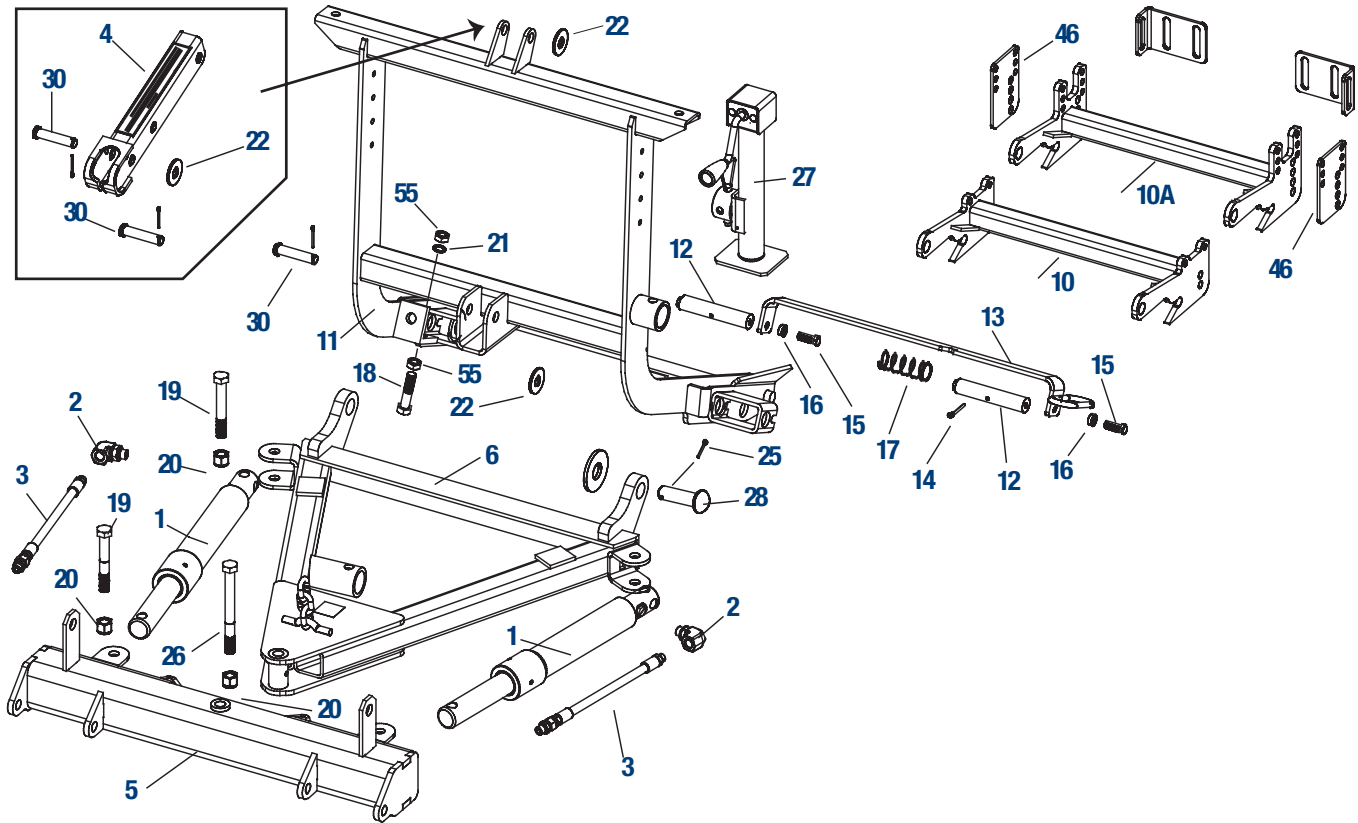
DP 5'-0", 6'-0" & 6'-8"



DP 7'-6"



Meyer® Snow Plow Replacement Parts - Drive Pro™ Series



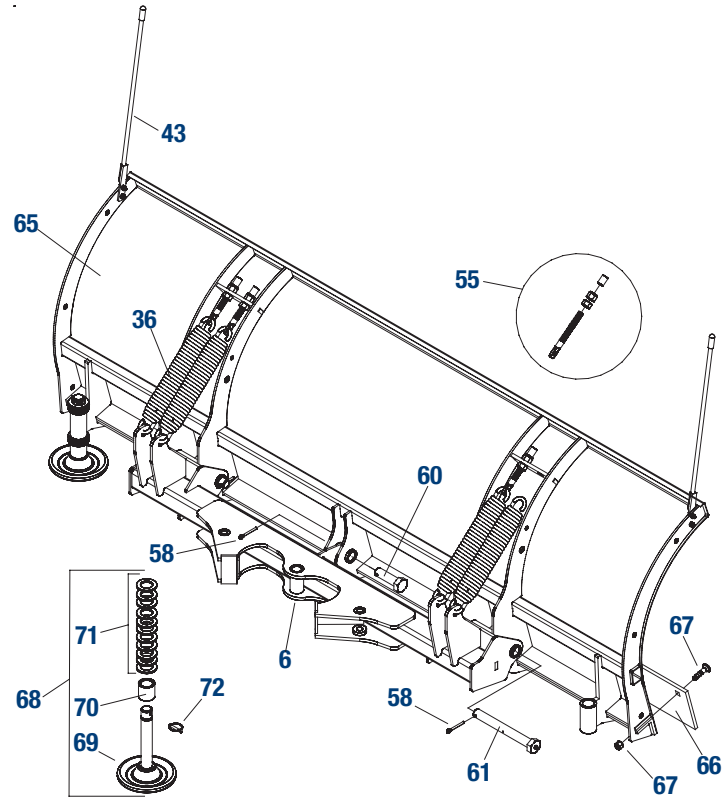
Dia No.	Part No.	Description
1	1-M05877	OEM - Angle Cylinder 1-1/2" X 10" EZ Mnt Plus
2	1-M22460	OEM - 90 Degree Elbow
3	1-M22461	OEM - Hose Assy SAE 1/4 Inch X 38 Inch M6 Faceseal
4	M10514	Lift Arm Weld
5	1-M12959	OEM - Drive Pro Pivot Bar
6	1-M13920	OEM - A-Frame, Drive Pro
7	1-M15630	OEM - E58 Hydraulic Cover
8	1-M15631	OEM - Hydraulic Cover Strap
9	1-M15995	OEM - E58H 12V Lift Unit Only
10	1-M19836	OEM - Clevis ASM Drive Pro
10A	1-M19943	OEM - Clevis ASM Drive Pro
11	1-M10191	OEM - Lift Frame Weld Drive Pro
12	1-M19775	OEM - Pin
13	1-M19781	OEM - Handle Pin
14	1-M20406	OEM - Cotter Pin 3/16 Inch X 1-1/2 Inch
15	1-M22010	OEM - Bolt 3/8-16 X 1-1/4 Inch Patch
16	1-M22260	OEM - Poly Washer 3/8 Inch
17	1-M814000005	OEM - Spring Hook Up Pin
18	1-M20144	OEM - Bolt H 5/8 11 X 2 3/4 G5 Cp
19	1-M20147	OEM - Bolt H 5/8 11 X 3 1/2 G5 Cp
20	1-M20309	OEM - Locknut ESNA 5/8-11 Zinc
21	1-M20331	OEM - Lockwasher 5/8 Inch
22	1-M20357	OEM - Flat Washer 5/8 Cp
25	1-M20420	OEM - Cotter Pin 1/4 Inch X 2 Inch
26	1-M22005	OEM - Bolt 5/8-11 X 5-1/2 Inch Grade 8
27	1-M22245	OEM - Crank Stand
28	1-M22436	OEM - Clevis Pin 1 Inch X 3 Inch
29	1-M22692	OEM - Hrns Plowside E58 Straight Round
30	1-M22719	OEM - Pivot Pin 5/8 Inch X 3 Inch
31	M05024	Red Power Cable 36 Inch
32	1-M12978	OEM - Trip Spring
N/I	1-M07550	OEM - Light Set Nite Saber 2 With Module
N/I	1-M08202	OEM - Hdw Bag E78 Plug Bracket
33	1-M19607	OEM - Plug Bracket
34	1-M19609	OEM - Plate
35	1-M20027	OEM - Bolt 5/16-18 X 1" Grd 2
36	1-M20326	OEM - Lockwasher 5/16 Inch
37	1-M20525	OEM - Hex Nut 5/16-18

Dia No.	Part No.	Description
38	1-M22658	OEM - Bolt H 5/16-18 X 3 Full Td Grade 2
39	1-M09917	OEM - Plow Marker Kit, Drive Pro, Central Hyd
40	1-M20027	OEM - Bolt 5/16-18 X 1" Grd 2
41	1-M20304	OEM - Locknut Esna 5/16-18 Zinc Pld
42	1-M20352	OEM - Flatwasher, 5/16" Cp
43	M15370	Motor Solenoid
N/I	1-M15787	OEM - Hdw Bag:Electrical
44	1-M21398	OEM - Scr Self Tap 1/4-14 X 3/4
45	1-M21832	OEM - Bushing Split 43/64 Id 7/8 OD
46	1-M19945	OEM - Spacer Drive Pro Clevis
48	1-M22690	OEM - Straight Blade Control With Adapter
49	1-M22691S	OEM - Truck Side Main Harness E58/ E68 / V68
N/I	1-M41102	OEM - Hdw Bag 41100/41150
50	M09124	5/8 Inch Eyebolt With 2 Nuts
50	M09124C	5/8 Inch Eyebolt With 2 Nuts - C-Pk
51	1-M20357	OEM - Flat Washer 5/8 Cp
53	1-M22686	OEM - Trip Bumper, Drive Pro
54	1-M22720	OEM - Pivot Pin 5/8 Inch X 7 Inch
55	1-M8501003013	OEM - Jam Nut 5/8-11 UNC Grade 2
N/I	1-M09320	OEM - Moldboard Steel 5.0 Drive Pro
N/I	1-M09270	OEM - Mb Dp 6.0 Steel - Drive Pro
N/I	1-M09274	OEM - Moldboard - Drive Pro 6.8 Steel
56	1-M09319	OEM - Cutting Edge - 5'0", Drive Pro
56	1-M09271	OEM - Cutting Edge - 6'0", Drive Pro
56	1-M09277	OEM - Cutting Edge Drive Pro 6.8
57	1-M21943	OEM - Bolt 1/2-13 X 1-3/4 Inch Grade 5
58	1-M20307	OEM - Locknut ESNA 1/2-13
59	1-M09127	OEM - Runner Assembly 2 Meter Round
60	1-M10853	OEM - Runner Mushroom Weldment
61	1-M20359	OEM - 3/4" Shoe Washer (09127)
62	M22083	Linch Pin
N/I	1-M09413	OEM - Drive Pro 7'-6" SP Moldboard
63	M09796	7.6 St Cutting Edge 3/8 Inch X 90 Inch
63	M09796HD	7.5 St Cutting Edge 1/2 Inch X 90 Inch
64	1-M21961	OEM - Bolt C 1/2-13 X 2 G5 Blk Pld
70	M08184	Blade Bolt Package 1/2 Inch X 2 Inch - 9 pcs
70	M08184C	Blade Bolt Package 1/2 Inch X 2 Inch - 9 pcs - C-Pk

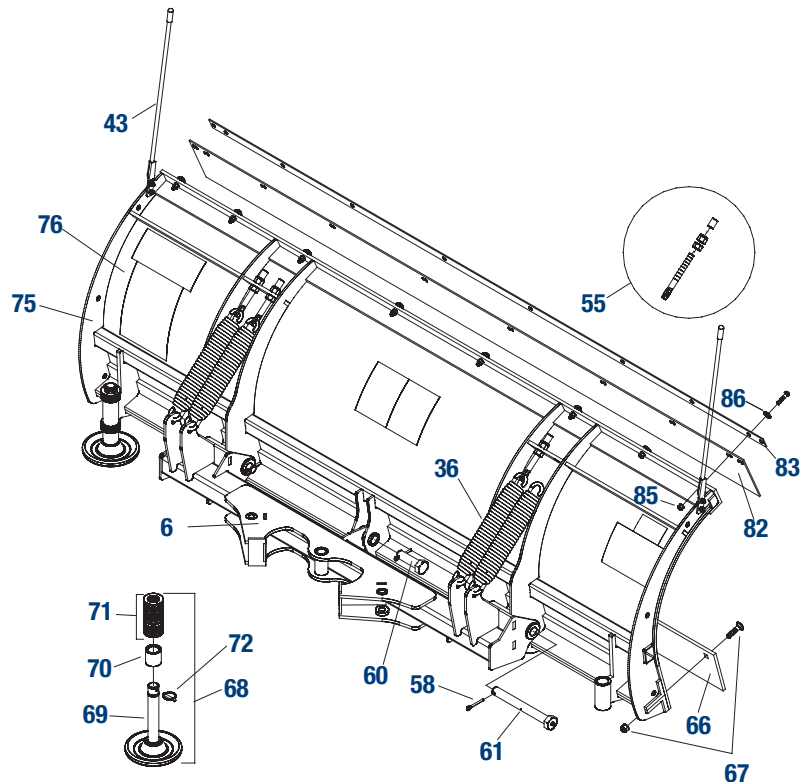
Meyer® Snow Plow Replacement Parts - Lot Pro™ Series

LOT PRO™ STEEL

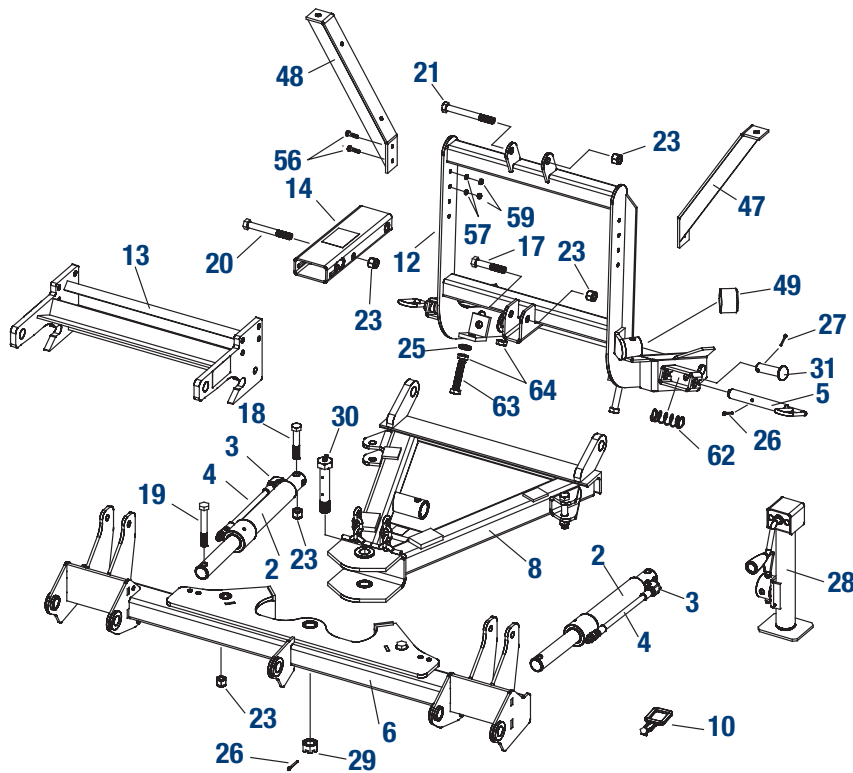
Meyer®



LOT PRO™ POLY & STAINLESS



Meyer® Snow Plow Replacement Parts - Lot Pro™ Series



Meyer®

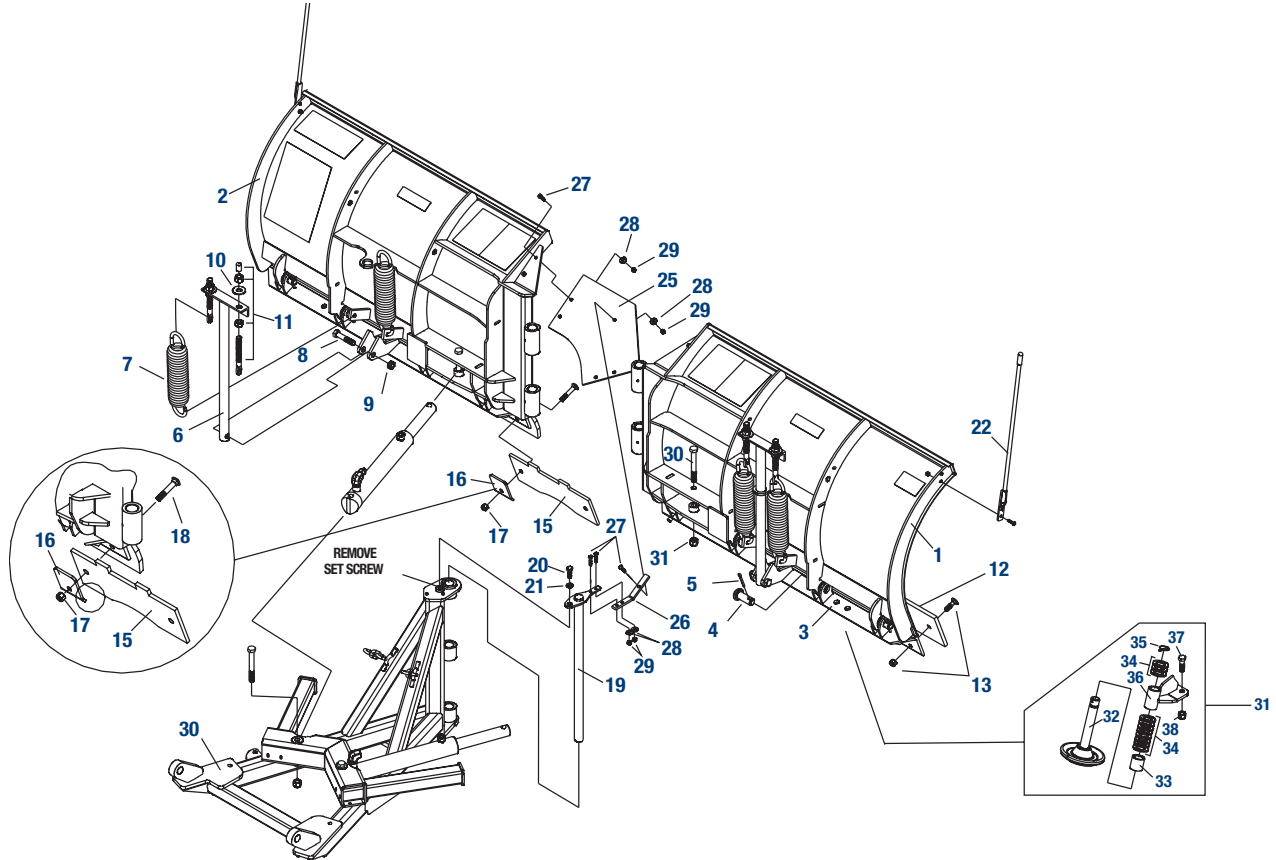
Dia No.	Part No.	Description
2	1-M05877	OEM - Angle Cylinder 1-1/2" X 10" EZ Mnt Plus
3	1-M22462	OEM - Hose Assy 1/4X44" M-6Xface seal
4	1-M22461	OEM - Hose Assy SAE 1/4 Inch X 38 Inch M6 Face seal
5	M11859	Connecting Pin Assy - Blue
6	1-M12750	OEM - Pivot Bar Lot Pro
8	1-M13500	OEM - A-Frame Lot Pro Plus
9	1-M15630	OEM - E58 Hydraulic Cover
10	1-M15631	OEM - Hydraulic Cover Strap
11	1-M15995	OEM - E58H 12V Lift Unit Only
12	1-M19365	OEM - Clevis Ez Mount Plus
13	1-M19370	OEM - Clevis Ez-Mount Plus
14	1-M19592	OEM - Twin Chain Lift Arm
17	M20146	Bolt 5/8-11 X 3-1/4 Inch Grade 5 With Locknut
18	1-M20147	OEM - Bolt H 5/8 11 X 3 1/2 G5 Cp
19	1-M20150	OEM - Bolt 5/8-11 X 4-1/2 Inch - Grade 5
20	1-M20152	OEM - Bolt Hex 5/8-11 X 5 Inch Grade 5
21	1-M20153	OEM - Bolt H 5/8-11 X 5-1/2 Inch Grade 5
23	1-M20309	OEM - Locknut ESNA 5/8-11 Zinc
25	1-M20331	OEM - Lockwasher 5/8 Inch
26	1-M20406	OEM - Cotter Pin 3/16 Inch X 1-1/2 Inch
27	1-M20420	OEM - Cotter Pin 1/4 Inch X 2 Inch
28	1-M22245	OEM - Crank Stand
29	1-M22274	OEM - Slotted Hex Nut 1-8
30	1-M22398	OEM - King Pivot Bit, 1-8 X 5-1/2 Inch w/Grease Fit
31	1-M22436	OEM - Clevis Pin 1 Inch X 3 Inch
36	M07017	Trip Spring
43	M09916	Yellow Blade Guide-Pair
43	M09916H	Yellow Blade Guide-Pair, Header Tagged
43	1-M09917	OEM - Plow Marker Kit, Drive Pro, Central Hyd
47	1-M11751	OEM - Light Bracket - Left Hand
48	1-M11752	OEM - Light Bracket - Right Hand
49	1-M11844	OEM - Receiver Tube Cap 2 Inch I.D.
55	M09124	5/8 Inch Eyebolt With 2 Nuts
55	M09124C	5/8 Inch Eyebolt With 2 Nuts - C-Pk
56	1-M20028	OEM - Bolt Hex 5/16-18 X 1-1/4 Inch Grade 2
57	1-M20326	OEM - Lockwasher 5/16 Inch
58	1-M20406	OEM - Cotter Pin 3/16 Inch X 1-1/2 Inch
59	1-M20525	OEM - Hex Nut 5/16-18
60	1-M22331	OEM - Hex Head Pin 1 Inch X 3-5/16 Inch
61	1-M22375	OEM - 1 Inch X 8.75 Inch Pivot Pin With Grease Fitting
62	1-M814000005	OEM - Spring Hook Up Pin
63	1-M8500003307001	OEM - HMCS 5/8-11X3 Gr5 Pit, Full Thd
64	1-M8501003013	OEM - Jam Nut 5/8-11 UNC Grade 2
65	1-M09400	OEM - Moldboard Steel 7.5 Lot Pro

Dia No.	Part No.	Description
65	1-M09401	OEM - Moldboard - Lot Pro 8.0 Steel
65	1-M09402	OEM - Moldboard Steel 8.5 Lot Pro
65	1-M09403	OEM - Moldboard - 9.0 Lot Pro Steel
66	1-M09797	OEM - 7.5 Lot Pro Cutting Edge
66	M09133	8.0 C Cutting Edge 1/2 Inch X 96 Inch
66	M09134	8.6 C Cutting Edge 1/2 Inch X 102 Inch
66	M07259	9.0 Cutting Edge 1/2 Inch X 108 Inch
66	M09796	7.6 St Cutting Edge 3/8 Inch X 90 Inch
66	M09796HD	7.5 St Cutting Edge 1/2 Inch X 90 Inch
67	M08486	Bolt Package for Two Meter Cutting Edge
67	1-M08692	OEM - Bolt Kit V-Cutting Edge 10pcs
67	M08318	Blade Bolt Package 5/8 X 2-1/2 Inch - 12 pcs
67	M08184	Blade Bolt Package 1/2 Inch X 2 Inch - 9 pcs
67	M08184C	Blade Bolt Package 1/2 Inch X 2 Inch - 9 pcs - C-Pk
68	1-M09362	OEM - Mushroom Shoe Assy Xpress
69	1-M12394	OEM - Cast Mushroom Shoe
70	1-M12449	OEM - Runner Spacer
71	M20363	Flat Washer 1-1/4
72	M22083	Linch Pin
N/I	1-M09404	OEM - 7.5 Lot Pro Poly Moldboard
N/I	1-M09405	8.0 Lot Pro Poly Moldboard
N/I	1-M09406	OEM - 8.5 Lot Pro Poly Moldboard
N/I	1-M09407	OEM - 9.0 Lot Pro Poly Moldboard
75	1-M12810	OEM - 7.5 Lot Pro MB Frame Weldment
75	1-M12811	OEM - 8.0 Lot Pro MB Frame Weldment
75	1-M12812	OEM - 8.5 Lot Pro MB Frame Weldment
75	1-M12813	OEM - 9.0 Lot Pro MB Frame Weldment
76	1-M13179	OEM - Stainless Steel Sheet For LPSS 8.0
76	1-M13180	OEM - Stainless Steel Sheet For LPSS 9.0
82	1-M12073	OEM - Def Only/Std CP-7.5
82	1-M12009	OEM - Def Only/Std CP-8.0 Poly
82	1-M12014	OEM - Def Only/Std CP-8.5 Poly
82	1-M12118	OEM - Def Only/Std HMP 9.0
83	1-M12487	OEM - Bar-Reinforcement CP-7.5
83	1-M12497	OEM - Bar Reinforcement CP-8.0
83	1-M12498	OEM - Bar-Reinforcement CP-8.5
83	1-M12031	OEM - Bar-Reinforcement CP-9.0
85	1-M20305	OEM - Locknut Esna 3/8-16 Zinc Pl
86	1-M20353	OEM - Washer Flat 3/8 Bk Pav
N/I	1-M41301	OEM - Accessory Box 41300/41350
N/I	1-M07550	OEM - Light Set Nite Saber 2 With Module
N/I	1-M09917	OEM - Plow Marker Kit, Drive Pro, Central Hyd
N/I	1-M22690	OEM - Straight Blade Control With Adapter

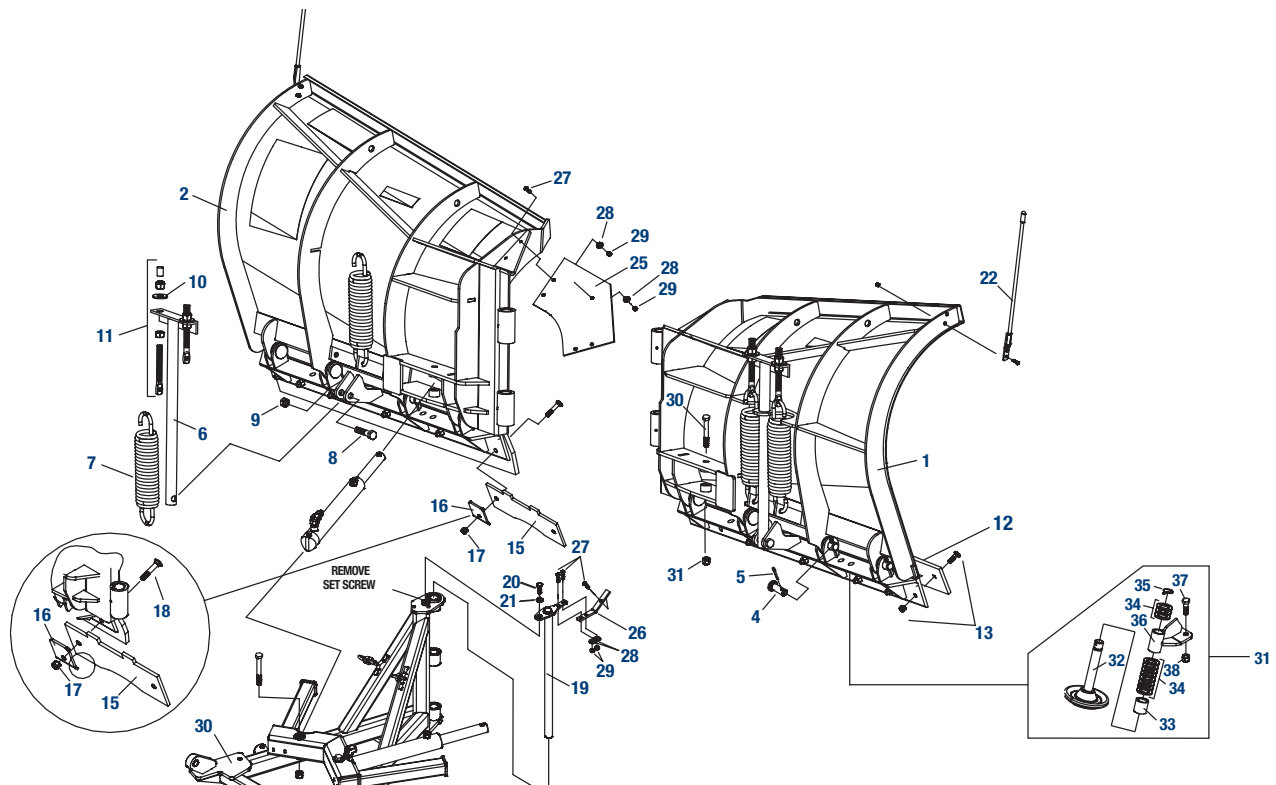
Meyer® Snow Plow Replacement Parts - Super V/V2 Series

SUPER V

Meyer®



SUPER V²



Meyer® Snow Plow Replacement Parts - Super V/V² Series

Meyer®



1-M07550
Meyer® Nite Saber II



1-M07234
Meyer® Nite Saber I



1-M22790X
Meyer® Control Joystick



1-M22695DC
Meyer® Pistol Grip Control



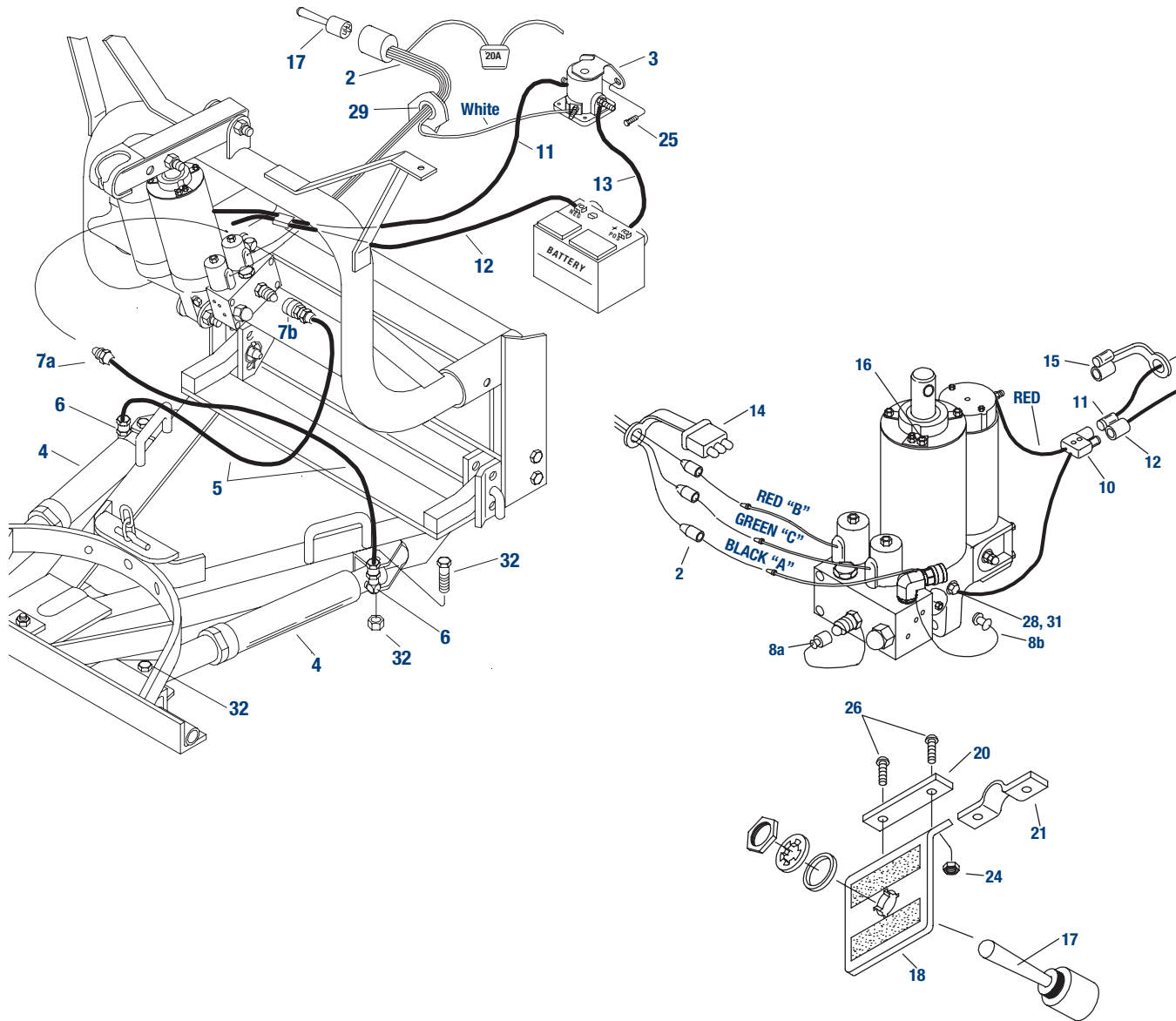
1-M23010
Meyer® Wireless Control

Dia. No.	Part No.	Description
1	1-M09328	OEM - MB SV 7.5 RH
1	1-M09208	OEM - MB SV-8.5 RH
1	1-M09212	OEM - MB SV-9.5 RH
1	1-M09442	OEM - MB SV2, 8.5 RH
1	1-M09444	OEM - MB SV2, 9.5 RH
1	1-M09280	OEM - MB SV2 10.5 RH
2	1-M09327	OEM - MB SV 7.5 LH
2	1-M09209	OEM - MB SV-8.5 LH
2	1-M09213	OEM - MB SV-9.5 LH
2	1-M09443	OEM - MB SV2, 8.5 LH
2	1-M09445	OEM - MB SV2, 9.5 LH
2	1-M09279	OEM - MB SV2 10.5 LH
N/I	1-M09329	OEM - Kit: MB SV 7.5
N/I	1-M09217	OEM - MB SV 8.5
N/I	1-M09226	OEM - MB Agv-9.5 SV
N/I	1-M09237	OEM - Kit: SV Flare 10.5
3	1-M13200	OEM - Trip Edge WeLD SV LD 7.5
3	1-M12540	OEM - Trip Edge Weldmt SV-8.5
3	1-M13923	OEM - Trip Edge Weld SV 8.5
3	1-M12568	OEM - Trip Edge Weldment SV-9.5
3	1-M13924	OEM - Trip Edge Weld SV 9.5
3	1-M13081	OEM - Trip Edge WeLD 10.5
4	1-M22438	OEM - 1" Dia Pin 1X2.50
5	1-M20420	OEM - Cotter Pin 1/4 Inch X 2 Inch
6	1-M13205	OEM - T-Bar WeLD SV LD 7.5
6	1-M12528	OEM - Dag-7.5-9.0 T-Bar Weld
6	1-M84285	OEM - T-Bar WeLD Mde
7	1-M12978	OEM - Trip Spring
7	1-M07215	OEM - Trip Spring Agv
8	1-M20145	OEM - Bolt H 5/8 11 X 3 G5 Cp
9	1-M20318	OEM - Nut Eslok 5/8-11 Zinc Blk Pav
10	1-M20357	OEM - Flat Washer 5/8 Cp
11	M09124	5/8 Inch Eyebolt With 2 Nuts
12	1-M09331	OEM - Cutting Edge Only 1pc SV/SV2 7.5
12	1-M09210	OEM - Cutting Edge Only 1pc SV/SV2 8.5
12	1-M09211	OEM - Cutting Edge Only 1pc SV/SV2 9.5
12	1-M09111	OEM - Cutting Edge Only 1pc SV/SV2 10.5
13	1-M09112	OEM - Kit: Cut Edge Steel SV LD 7.5

Dia. No.	Part No.	Description
13	1-M09218	OEM - Cut Edge Kit 8.5 SV With Hdw
13	1-M09219	OEM - Cut Edge Agv 9.5 Super-V (Kit)
13	1-M09110	OEM - Kit: Cut Edge Steel SV2 10.5
N/I	1-M08222	OEM - Hdwe Bag Cut Edge Steel
15	1-M13208	OEM - Bottom Belt SV LD 7.5
15	1-M12538	OEM - Bottom Belt
N/I	1-M08261	OEM - Hdwe Bag 09332
N/I	1-M08131	OEM - Hdwe Bag Bottom Belt Kit SV
16	1-M13209	OEM - Backing Plate SV LD 7.5
16	1-M12549	OEM - Backing Plate
17	1-M20307	OEM - Locknut ESNA 1/2-13
18	1-M22066	OEM - Bolt C 1/2 13 X 2 3/4 G5 Blk P
N/I	1-M08144	OEM - Hdw Carton SV LD 7.5
N/I	1-M08752	OEM - Hdwe Carton SV-8.5/9.5
19	1-M13207	OEM - Pivot Pin Asm SV LD 7.5
19	1-M12557	OEM - Pivot Pin Asm Agv
20	1-M20095	OEM - Bolt H 1/2-13X1 1/2 Gr5 Cp
21	1-M20329	OEM - W/L Spr Med 1/2
22	1-M09917	OEM - Plow Marker Kit, Drive Pro, Central Hyd
22	M09916	Yellow Blade Guide-Pair
N/I	1-M09339	OEM - Top Deflector Kit SV LD 7.5
N/I	1-M09230	OEM - Kit:Top Defl SV-8.5&9.5
25	1-M13323	OEM - Top Deflector SV LD 7.5
25	1-M12536	OEM - Top Deflector - SV
26	1-M13724	OEM - Defl Brace
27	1-M20028	OEM - Bolt Hex 5/16-18 X 1-1/4 Inch Grade 2
28	1-M20352	OEM - Flatwasher, 5/16" Cp
29	1-M20304	OEM - Locknut Esna 5/16-18 Zinc Pld
30	1-M13855	OEM - A-Frame SV 7.5
30	1-M13755	OEM - A-Frame SV Plus
31	1-M09214	OEM - Runr Shoe Msh Assy Supr-V - Pair
32	1-M12394	OEM - Cast Mushroom Shoe
33	1-M12449	OEM - Runner Spacer
34	1-M20363C	OEM - Flat Washer 1-1/4 Inch
35	1-M22083C	OEM - Linch Pin
36	1-M12545	OEM - Runner Bracket ASM
N/I	1-M08585	OEM - Hdwe Bag SV Mushroom Runners
37	1-M20164	OEM - Bolt H 3/4 10 X 2 G5 Cp
38	1-M20309	OEM - Locknut ESNA 5/8-11 Zinc

Meyer® Snow Plow Pump to Control Schematic with Slik Stick - E47

Meyer®



Dia. No.	Part No.	Description
2	1-M15680	OEM - Harness Single Lever Control
3	M15370	Motor Solenoid
4	M05810	Angling Cylinder 1-1/2" X 10"
4	M05437	Angling Cylinder 1-1/2" X 12"
4	M05752	Angling Cylinder 2" X 12"
5	M22144	Hose 1/4" X 45" MPR X FPR Hose (E-60)
6	1-M21857C	OEM - Elb 90 Deg 1/4"-1Pc
7A	M22291	1/4" Male NPT Hose Coupler
7B	M22292	1/4" Female NPT Coupler
8A	1-M22325	OEM - Low Spill Coupler Plug-Male
8B	1-M22326	OEM - Low Spill Coupler Plug-Female
10	M15670	Cable & Plug Assembly
11	M15671	Red Power Cable 63"
12	M15672	Black Ground Cable 51"
13	M05024	Red Power Cable 36 "
14	1-M15669	OEM - Weather Plug - Solenoid Wires
15	1-M36248	OEM - Weather Plug - Power Cables
16	M08473	Pressure Relief Valve

Dia No.	Part No.	Description
16	M08473H	Pressure Relief Valve - Header Tagged
17	1-M22092C	OEM - Control - Single Lever C-Pk
18	1-M15673	OEM - Bracket
19	1-M22090	OEM - Decal-Single Lever Control
20	1-M15676	OEM - Plate Backup
21	1-M15675	OEM - Plate - Clamp
22	1-M15427	OEM - Brkt: Lift Sw Only
23	1-M22091	OEM - Decal-Lights
24	1-M20312	OEM - Nut Eslok 1/4-20 Black Pav
25	1-M20841	OEM - Scr S Tap #12-14X1/2 Pan Hd
26	1-M20863	OEM - Scr Mach 1/4 20 X 1.0 Rd Hd
27	1-M21398	OEM - Scr Self Tap 1/4-14 X 3/4
28	1-M21400	OEM - Washer 5/16 Int/Ext Tooth
29	1-M21832	OEM - Bushing Split 43/64 Id 7/8 OD
30	1-M21953	OEM - Decal Warning
31	1-M15102	OEM - Bolt H 5/16-18X1/2 Gr2 Cp
32	M20146	Bolt 5/8-11 X 3-1/4 Inch Grade 5 With Locknut
32	1-M20147	OEM - Bolt H 5/8 11 X 3 1/2 G5 Cp
N/I	1-M08574	OEM - Single Lever Control Kit

Meyer® Snow Plow Rebuild Kits - E47 / E47H Pumps

E47 & E47H COMPLETE REBUILD KIT

Make that old pump look like **NEW** with our E47 & E47H Complete Pump Rebuild Kits.

Kits have everything needed to rebuild your pump.

Includes:

- Motor
- Gear Pump
- Coils
- Valves
- Solenoid
- Master Seal Kit
- Hydraulic Oil
- Spray Paint
- Ram



Part No.	Description	"A" Valve Stem Dia.
CRK47-375	E47 Complete Rebuild Kit - 3/8" "A" Valve Stem	3/8"
CRK47-625	E47 Complete Rebuild Kit - 5/8" "A" Valve Stem	5/8"
CRK47-375H	E47H Complete Rebuild Kit - 3/8" "A" Valve Stem	3/8"
CRK47-625H	E47H Complete Rebuild Kit - 5/8" "A" Valve Stem	5/8"

E47 & E47H VALVE & SEAL REBUILD KIT

Need to rebuild just your Valves & Seals, we have you covered with our Valve & Seal Rebuild Kit.

Kit has all you need to get the job done.

Includes:

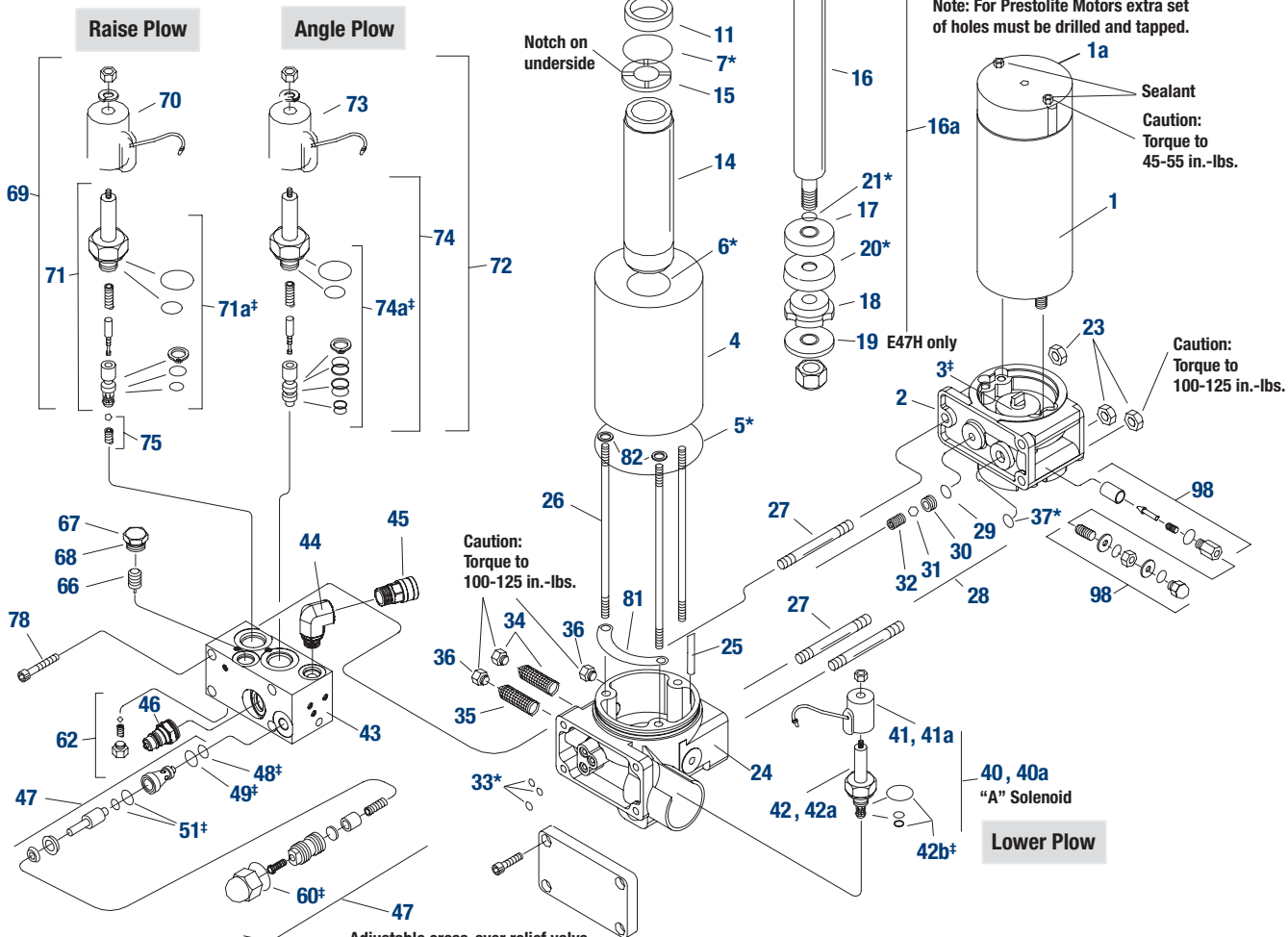
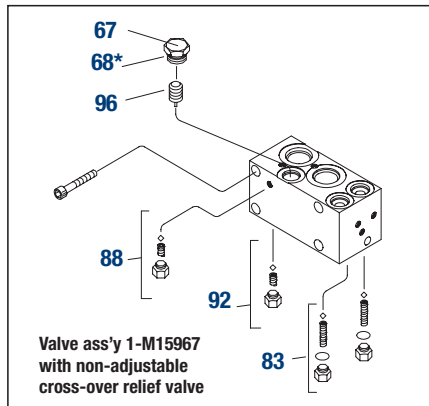
- Valves
- Master Seal Kit
- Relief Valve Kits
- Crossover Valve Kits
- Seal Pump Shaft
- Hydraulic Oil



Part No.	Description	"A" Valve Stem Dia.
VSRK47-375	E47 & E47H Valve & Seal Rebuild Kit - 3/8" "A" Valve Stem	3/8"
VSRK47-625	E47 & E47H Valve & Seal Rebuild Kit - 5/8" "A" Valve Stem	5/8"

Meyer® Snow Plow Replacement Parts - E46/46H/47/47H Pumps

Meyer®



Adjustable cross-over relief valve.
 Note: Oil seepage, if any, at O-ring (60) is normal. DO NOT attempt to stop this seepage by further tightening of the Acorn Nut.



1-M15153



U0001



1-M15134

Meyer® Snow Plow Replacement Parts - E46/46H/47/47H Pumps

Dia No.	Part No.	Description
-	1-M15153	OEM - Pump & Motor Assembly Electro
-	U0001	Universal Quart Oil (Replc 15134, 49311 & 28531)
-	U0001-12	Universal Oil - Case (12 Qrts)
-	1-M15134	OEM - Quart Meyer Oil
-	1-M15134-12	OEM - Meyer Hydraulic Fluid - Case (12 Qrts)
1	M15054	3 Inch 12V DC Motor (E46, E47)
1A	M5103	Meyer Cap & Brush Kit (M15054)
2	M15026	Replacement Gear Pump For E47
8	M15194	Cover & Seal Assembly
9	M05119H	Seal Wiper - Header Tagged
11	M15199	Guide Sleeve
12	1-M21805C	OEM - Reducer Bushing
13	1-M21806C	OEM - Pressure Relief Valve
15	1-M15209	OEM - Thrust Washer
17	1-M15158	OEM - Piston
18	1-M15219	OEM - Piston Follower
22	M08473	Pressure Relief Valve
22	M08473H	Pressure Relief Valve - Header Tagged
24	1-M15573	OEM - Base Sump & Strainer Assembly
25	M15326	Strainer - Base Sump
27	1-M15043C	OEM - Stud Electro Touch, 3 Each - Clam Packed
28	1-M15574	OEM - Check Valve Pump Kit
35	1-M15619C	OEM - 1/2 Inch Filter, (2 Each)
36	1-M21827	OEM - 1/2 Inch Drain Plug w/ O-Ring
36	1-M21999	OEM - 9/16 Inch Drain Plug w/ O-Ring
39	1-M20697	OEM - Locknut ESNA 5.16-24 Hex
40	M15356	A Coil & Valve Assembly, Old Style, 3/8 Inch Stem, Black Wire
40a	M15661	A Coil & Valve Assembly, New Style, 5/8", Black Wire
40a	M15661C	A Coil & Valve Assembly, New Style, 5/8", Black Wire - Clam Packed

Dia No.	Part No.	Description
41	M15392	A Coil, Old Style, 3/8 Inch Hole, Black Wire
41a	M15659	A Coil, New Style, 5/8 Inch Hole, Black Wire
42	M15393	A Valve, Old Style, 3/8 Inch Stem
42a	M15660	A Valve, New Style, 5/8 Inch Stem, Black Wire
43	1-M15967	OEM - New Style PA Block w/Couplers, E47/57/58/60/61
44	1-M22295	OEM - Forged 90 Deg Elbow 3/4-16
45	M22294	Female Coupler 3/4-16 Valve Block Side
46	M22293	Male Coupler 3/4-16 Valve Block Side
47	M15606	Crossover Relief Valve Kit
62	M15639	Pilot Check Valve Kit
66	1-M15609	OEM - Piston
67	1-M15359	OEM - Valve Block Plug
69	M15697	B Coil & Valve Assembly, Red Wire
69	M15697C	B Coil & Valve Assembly, Red Wire - Clam Packed
70	M15382	B Coil - Red Wire
70	M15382C	B Coil - Red Wire - Clam Packed
71	M15698	B Valve
72	M15358	C Coil & Valve Assembly
72	M15358C	C Coil & Valve Assembly - Clam Packed
73	M15430	C Coil - Green Wire
73	M15430C	C Coil - Green Wire - Clam Packed
74	M15381	C Valve - Green Wire
75	1-M15576	OEM - Check Valve Kit, B - Solenoid
78	1-M21826	OEM - SHCS 5/16-18 X 1-1/2 Inch
81	1-M15621	OEM - Baffle
82	1-M21980	OEM - Retaining Ring 5/16 Inch
83	1-M15578	OEM - Crossover Valve Kit
88	1-M15577	OEM - C Valve Kit
92	1-M15575	OEM - Pilot Check Valve
96	1-M15609	OEM - Piston
98	1-M15611	OEM - Pump Relief Valve Kit

E46/E47 PUMPS - ONLY

Dia No.	Part No.	Description
4	1-M15045	OEM - Reservoir Tank, 6 Inch Stroke
14	1-M15207	OEM - Cylinder, Electro 1.75 Inch X 6 Inch
16	M15208	Rod 6 Inch Stroke
16a	1-M15335	OEM - Rod Assembly 1-1/8 Inch X 6 Inch

Dia No.	Part No.	Description
26	1-M15042C	OEM - Stud E47 Tank (3 pack)
34	1-M15620C	OEM - Filter Kit (1/2 Inch Cap) - Clam Packed
34	1-M15641	OEM - Filter Kit (9/16 Inch Cap)

E46/E47 "H" SERIES PUMPS - ONLY

Dia No.	Part No.	Description
4	1-M15204	OEM - Reservoir Tank, 8 Inch Stroke, (8.125 Inch Long)
14	1-M15205	OEM - Cylinder, E47H / E57H / E58H & E60H Only
16	M15206	Rod 8 Inch Stroke, "H" Series
16a	1-M15761	OEM - Rod Assembly 1-1/8 Inch X 8 Inch

Dia No.	Part No.	Description
19	1-M15760	OEM - Pump Spacer H Models Only
26	1-M15203	OEM - Stud 9.25 Inch
34	1-M15620C	OEM - Filter Kit (1/2 Inch Cap) - Clam Packed

BASIC SEAL KIT M15254

Dia No.	Part No.	Description
-	M15254	Basic Seal Kit For E46 / E47 & E57 Pumps
5*	M15131	O-Ring, 3-1/2 Inch
6*	M15163	O-Ring, 1-15/16 Inch
7*	M15198	O-Ring Clear, 1-1/8 Inch
9*	M05119	Seal Wiper
10*	M15131	O-Ring, 3-1/2 Inch

Dia No.	Part No.	Description
20*	M15162	Piston Rod Packing Cup
21*	M15125	Packing O-Ring
33*	M15122	O-Ring, 1/4 Inch
37*	M15127	O-Ring, 5/8 Inch
38*	M21929	Nylite Washer 5/16 Inch
68*	M15126	Packing O-Ring

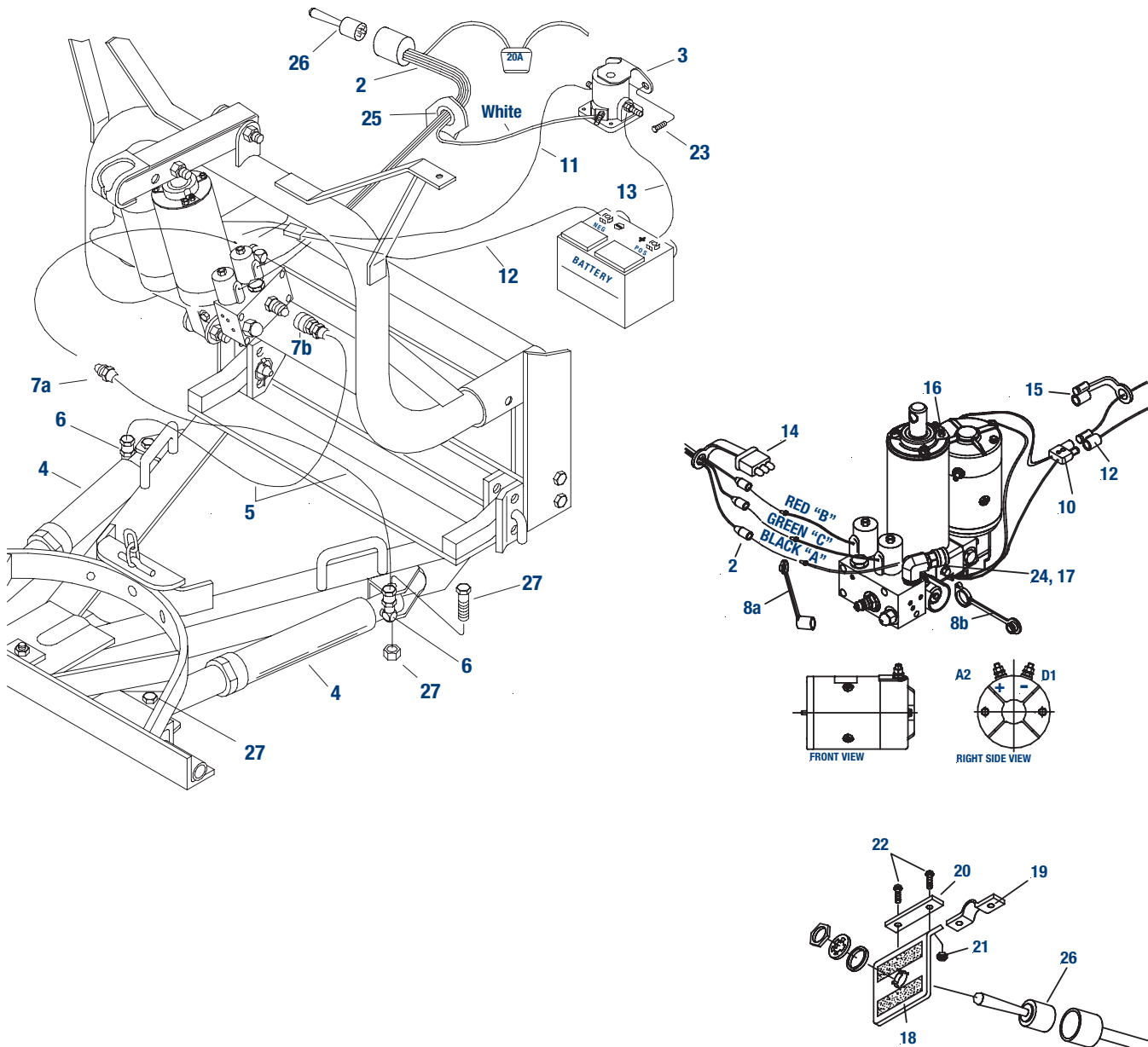
MASTER SEAL KIT M15456

Dia No.	Part No.	Description
-	M15456	Master Seal Kit E46 / E47
-	M15456C	Master Seal Kit E46 / E47 - Clam Packed
-	M15254	Basic Seal Kit For E46 / E47 & E57 Pumps
3 [‡]	M15581	Seal Pump Shaft
42b [‡]	M15431	A Valve Seal Kit
-	M15610	Crossover Relief Valve Seal Kit

Dia No.	Part No.	Description
48 [‡]	-	O-Ring
49 [‡]	-	O-Ring
51 [‡]	-	O-Ring w/ Glyd. Ring
60 [‡]	-	O-Ring
71a [‡]	M15432	B Valve Seal Kit
74a [‡]	M15433	C Valve Seal Kit

Meyer® Snow Plow Pump to Control Schematic with Slik Stik - E57

Meyer®



Dia. No.	Part No.	Description
2	1-M15680	OEM - Harness Single Lever Control
3	M15370	Motor Solenoid
4	M05810	Angling Cylinder 1-1/2" X 10"
5	M22144	Hose 1/4" X 45" MPR X FPR Hose (E-60)
6	1-M21857C	OEM - Elb 90 Deg 1/4"-1Pc
7A	M22291	1/4" Male NPT Hose Coupler
7B	M22292	1/4" Female NPT Coupler
8A	1-M22325	OEM - Low Spill Coupler Plug-Male
8B	1-M22326	OEM - Low Spill Coupler Plug-Female
10	1-M15811	OEM - Cable Plug Assembly
11	M15671	Red Power Cable 63"
12	M15672	Black Ground Cable 51"
13	M05024	Red Power Cable 36 Inch
14	1-M15669	OEM - Weather Plug - Solenoid Wires
15	1-M36248	OEM - Weather Plug - Power Cables
16	M08473	Pressure Relief Valve

Dia. No.	Part No.	Description
16	M08473H	Pressure Relief Valve - Header Tagged
17	1-M15102	OEM - Bolt H 5/16-18X1/2 Gr2 Cp
18	1-M15673	OEM - Bracket
19	1-M15675	OEM - Plate - Clamp
20	1-M15676	OEM - Plate Backup
21	1-M20312	OEM - Nut Eslok 1/4-20 Black Pav
22	1-M20863	OEM - Scr Mach 1/4 20 X 1.0 Rd Hd
23	1-M21398	OEM - Scr Self Tap 1/4-14 X 3/4
24	1-M21400	OEM - Washer 5/16 Int/Ext Tooth
25	1-M21832	OEM - Bushing Split 43/64 Id 7/8 OD
26	1-M22092C	OEM - Control - Single Lever C-Pk
27	M20146	Bolt 5/8-11 X 3-1/4 Inch Grade 5 With Locknut
N/I	1-M07273	OEM - Tap Conn 3M Scotchlok 560
N/I	1-M21953	OEM - Decal Warning
N/I	1-M22090	OEM - Decal-Single Lever Control
N/I	1-M08364	OEM - Hardware Bag for Controller 22154

Meyer® Snow Plow Rebuild Kits - E57/E57H Pumps

E57 & E57H COMPLETE REBUILD KIT

Make that Old Pump look like **NEW** with our E57 & E57H Complete Pump Rebuild Kits...

Kits have everything needed to rebuild your pump.

Includes:

- Motor
- Pump Assembly
- Coils
- Valves
- Solenoid
- Shaft Seal
- Filter
- Relief Valve
- Hydraulic Oil
- Spray Paint
- Ram



Part No.	Description	"A" Valve Stem Dia.
CRK57-375	E57 Complete Rebuild Kit - 3/8 "A" Valve	3/8"
CRK57-675	E57 Complete Rebuild Kit - 5/8 "A" Valve Stem	5/8"
CRK57-375H	E57H Complete Rebuild Kit - 3/8 "A" Valve Stem	3/8"
CRK57-675H	E57H Complete Rebuild Kit - 5/8 "A" Valve Stem	5/8"

E57 & E57H VALVE & SEAL REBUILD KIT

Need to rebuild just your Valves & Seals, we have you covered with our Valve & Seal Rebuild Kit.

Kit has all you need to get the job done.

Includes:

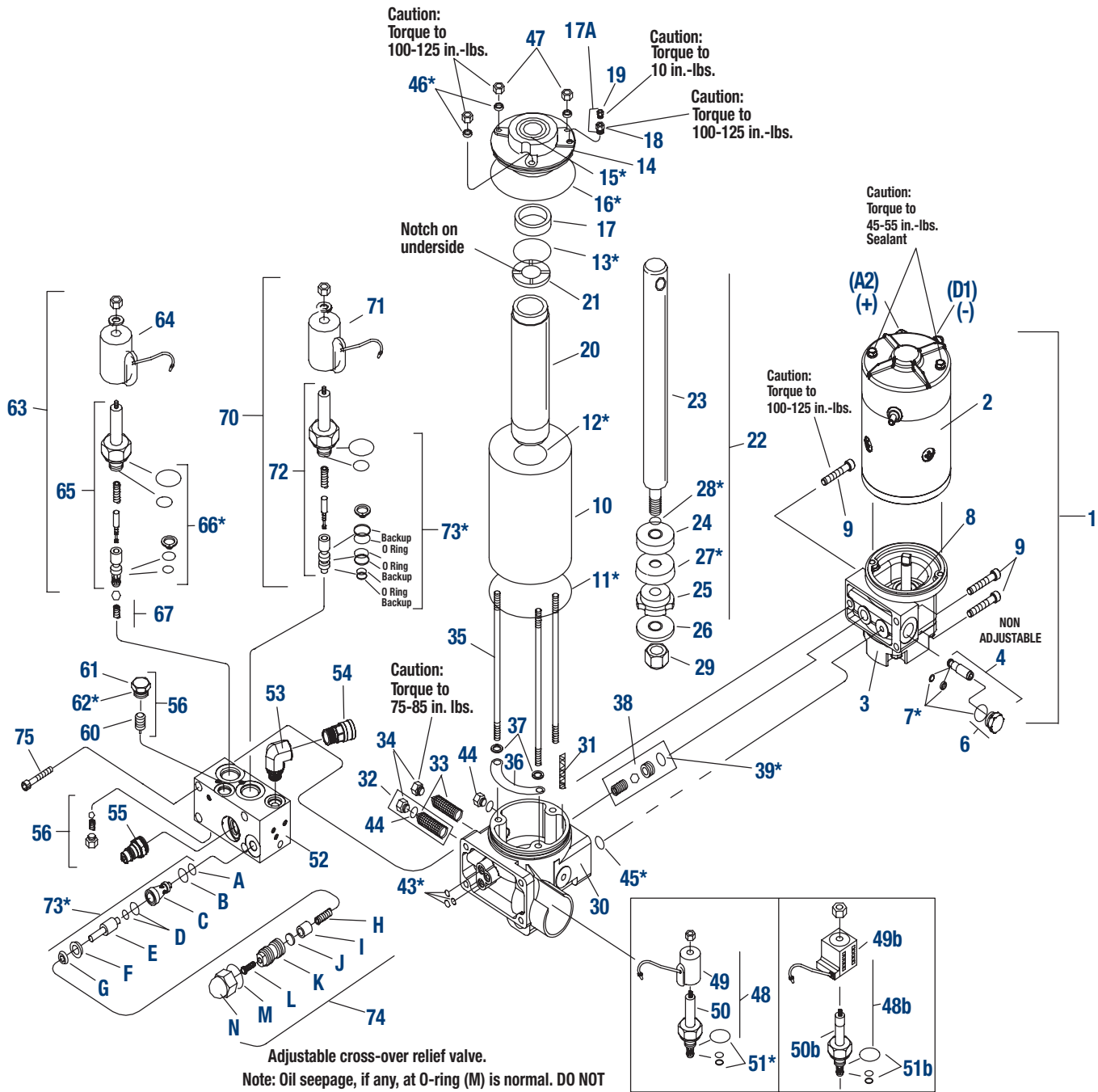
- Valves
- Master Seal Kit
- Relief Valve Kits
- Crossover Valve Kits
- Seal Pump Shaft
- Hydraulic Oil



Part No.	Description	"A" Valve Stem Dia.
VSRK57-375	E57 & E57H Valve & Seal Rebuild Kit - 3/8 "A" Valve Stem	3/8"
VSRK57-625	E57 & E57H Valve & Seal Rebuild Kit - 5/8 "A" Valve Stem	5/8"

Meyer® Snow Plow Replacement Parts - E57/E57H Pumps

Meyer®



U0001



1-M15134

Meyer® Snow Plow Replacement Parts - E57/E57H Pumps

Meyer®

Dia No.	Part No.	Description
-	U0001	Universal Oil - Quart (Replaces 15134, 49311 & 28531)
-	1-M15134	OEM - Quart Meyer Hydraulic Fluid
1	1-M15869	OEM - Pump / Motor Conversion Kit - Converts E47 to an E57
2	M15841	4-1/2" 2-Post Motor E58H / E60 (D1 Term, Neg)
3	1-M15889	OEM - Kit: Pump E57/E57H
4	1-M15874	OEM - Kit Relief Valve Assembly
6	1-M15878	OEM - Plug With O-Ring
8	1-M15877	OEM - Pump Shaft Seal
9	1-M22339	OEM - Socket Head Screw 5/16-18 X 1-3/4"
14	M15194	Cover & Seal Assembly
14	1-M15738C	OEM - Cover & Seal Assembly Clam Packaged
15	M05119	Seal Wiper
15	M05119H	Seal Wiper- Header Tagged
17	M15199	Guide Sleeve
17A	M08473	Pressure Relief Valve
17A	M08473H	Header Tagged - Pressure Relief Valve
18	1-M21805C	OEM - Reducer Bushing Clam Packaged
19	1-M21806C	OEM - Pressure Relief Valve Clam Packaged
21	1-M15209	OEM - Washer
24	1-M15158	OEM - Piston
25	1-M15219	OEM - Piston Follower
26	1-M15760	OEM - Spacer
29	1-M20316	OEM - Nut Eslok 1/2-13 Zinc
30	1-M15573	OEM - Base Sump & Strainer Assembly
31	M15326	Strainer - Base Sump
32	1-M15641	OEM - Filter Kit (9/16" Cap)
33	1-M15619C	OEM - 1/2" Filter - 2 Each Clam Packaged
34	1-M21999	OEM - 9/16" Drain Plug w/ O-Ring
36	1-M15621	OEM - Baffle
37	1-M21980	OEM - Retaining Ring 5/16"
38	1-M15574	OEM - Kit Pump Check Valve
44	1-M21999	OEM - 9/16" Drain Plug w/ O-Ring
47	1-M20697	OEM - Locknut ESNA 5/16-24 Hex

Dia No.	Part No.	Description
48	1-M15972C	OEM - A-Solenoid Assembly Clam Packaged
48b	M15661	A-Solenoid Valve Assembly 5/8" Stem
48b	M15661C	A-Solenoid Valve Assembly 5/8" Stem, C-Pk
49	1-M15905C	OEM - A-Coil, Black Wire Plastic Clam Packaged
49b	M15659	A - Coil, 5/8" Hole, Black Wire
49b	1-M15659C	OEM - A-Coil Black Wire Plastic
50	M15660	A-Valve, 5/8" Stem, Black Wire
50b	M15660	A-Valve, 5/8" Stem, Black Wire
51b	M15431	A - Valve Seal Kit
52	1-M15967	OEM - Kit: PA Block E47/57/58/60/61
53	1-M22295	OEM - Forged 90 Degree Elbow 3/4-16
54	M22294	Female Coupler 3/4-16 Valve Block Side
55	M22293	Male Coupler 3/4-16 Valve Block Side
56	M15639	Pilot Check Valve Kit
60	1-M15609	OEM - Piston
61	1-M15359	OEM - Plug Valve Block
63	M15697	B-Valve Assembly- Red Wire
63	M15697C	B-Valve Assembly- Red Wire, C-Pk
64	M15382	B - Coil - Red Wire
64	M15382C	B - Coil - Red Wire, C-Pk
65	M15698	B-Cartridge Valve
67	1-M15576	OEM - B-Solenoid Check Valve Kit
70	M15358	C-Solenoid Valve Assembly
70	M15358C	C-Solenoid Valve Assembly, C-Pk
71	M15430	C - Coil - Green Wire
71	M15430C	C - Coil Green Wire, C-Pk
72	M15381	C-Cartridge Valve - Green Wire
74	M15606	Crossover Valve Kit
75	1-M21826	OEM - Socket Head Screw 5/16-18 X 1-1/2"
N/I	M15610	Crossover Valve Seal Kit
72	M15381	C Valve - Green Wire
74	M15606	Crossover Relief Valve Kit
75	1-M21826	OEM - SHCS 5/16-18 X 1-1/2 Inch
N/I	M15610	Crossover Relief Valve Seal Kit

E57 PUMP - ONLY

Dia No.	Part No.	Description
10	1-M15045	OEM - Tank Cylinder 6" Stroke
20	1-M15207	OEM - Electro Touch 1.75" X 6"

Dia No.	Part No.	Description
22	1-M15335	OEM - Ram Assembly 1-1/8" X 6"
23	M15208	Ram 6" Stroke
35	1-M15042C	OEM - Stud-E47 Tank-3pc Clam Packaged

E57H PUMP - ONLY

Dia No.	Part No.	Description
10	1-M15204	OEM - Tank (8.125" Long) - 8" Stroke E47H / E57H / E58H
20	1-M15205	OEM - Cylinder Electro Touch E47H / E57H/ E58H

Dia No.	Part No.	Description
22	1-M15761	OEM - Ram Assembly 1-1/8" X 8"
23	M15206	Ram 8" Stroke - "H" Series
35	1-M15203	OEM - Stud 9.25"

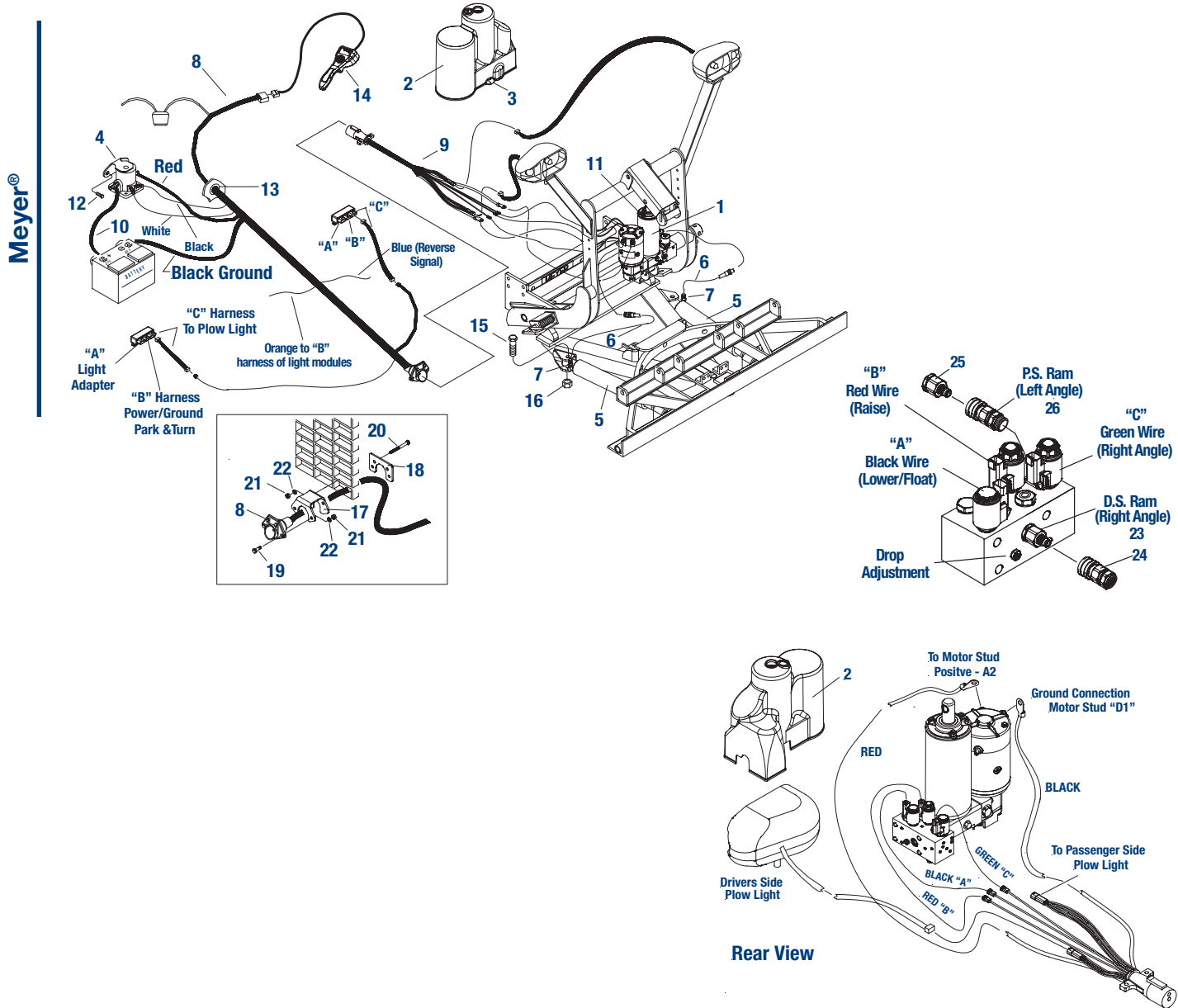
MASTER SEAL KIT M15888-1

Dia No.	Part No.	Description
-	M15888-1	Master Seal Kit E57 / E57H Only - (NO OIL)
7*	M15875	Seal Kit Relief Valve - E58H / E78 / E88
11*	M15131	O-Ring 3-1/2 I.D.
12*	M15163	O-Ring, 1-15/16 Inch I.D.
13*	M15198	O-Ring Clear 1-1/8 Inch I.D.
15*	M05119	Seal Wiper
16*	M15131	O-Ring 3-1/2 I.D.
27*	M15162	Packing Cup

Dia No.	Part No.	Description
28*	M15125	Packing O-Ring
39*	M15124	O Ring 3/8 I.D.
43*	M15122	O-Ring 1/4 I.D.
45*	M15127	O-Ring 5/8 I.D.
46*	M21929	Nylite Washer 5/16
51*	M15431	A - Valve Seal Kit
62*	M15126	Pack O Ring
66*	M15432	B - Valve Seal Kit
73*	M15433	C-Solenoid Seal Kit

Meyer® Snow Plow

Pump to Control Schematic with Pistol Grip & Nite Saber Lights - E58H



Dia. No.	Part No.	Description
1	1-M15995	OEM - E58H 12V Lift Unit Only
2	1-M15630	OEM - E58 Hydraulic Cover
3	1-M15631	OEM - Hydraulic Cover Strap
4	M15370	Motor Solenoid
5	M07968	Angle Cylinder 1-1/2 Inch X 10 Inch
6	1-M22461	OEM - Hose Assy SAE 1/4 Inch X 38 Inch M6 Facesale
7	1-M22460	OEM - 90 Degree Elbow
8	1-M22691S	OEM - Truck Side Main Harness E58/ E68 / V68
9	1-M22692	OEM - Hrns Plowside E58 Straight Round
10	M05024	Red Power Cable 36 Inch
11	M08473	Pressure Relief Valve
11	M08473H	Pressure Relief Valve - Header Tagged
12	1-M21398	OEM - Scr Self Tap 1/4-14 X 3/4
13	1-M21832	OEM - Bushing Split 43/64 Id 7/8 OD
14	1-M22690	OEM - Straight Blade Control With Adapter
15	M20146	Bolt 5/8-11 X 3-1/4 Inch Grade 5 With Locknut
15	1-M20150	OEM - Bolt 5/8-11 X 4-1/2 Inch - Grade 5
16	1-M20309	OEM - Locknut ESNA 5/8-11 Zinc
17	1-M19607	OEM - Plug Bracket
18	1-M19609	OEM - Plate
19	1-M20027	OEM - Bolt 5/16-18 X 1" Grd 2
20	1-M22658	OEM - Bolt H 5/16-18 X 3 Full Td Grade 2
21	1-M20525	OEM - Hex Nut 5/16-18
22	1-M20326	OEM - Lockwasher 5/16 Inch
23	1-M22442C	OEM - Clam Packaged SAE Male Thread Nipple
24	1-M22443C	OEM - Clam Packaged Female Coupler
25	1-M22444C	OEM - Clam Packaged Female Thread Nipple
26	1-M22445C	OEM - Clam Packaged SAE Male Threaded Coupler
N/I	1-M07620	OEM - Ram Assy 1.5 X 10 Sae
N/I	1-M15787	OEM - Hdwe Bag:Electrical
N/I	1-M07273	OEM - Tap Conn 3M Scotchlok 560
N/I	1-M21953	OEM - Decal Warning
N/I	1-M08364	OEM - Hardware Bag for Controller 22154
N/I	1-M08202	OEM - Hdw Bag E78 Plug Bracket
N/I	1-M08206	OEM - E58H Coupler Kit - Classic & Custom Mounts
N/I	1-M08059	OEM - Harness Hinge Cap Kit (22691S ONLY)
N/I	1-M08423	OEM - Harness Hinge Cap Kit (22691S ONLY)

Meyer® Snow Plow Rebuild Kit - E58H Pump

E58H COMPLETE REBUILD KIT

Make that old pump look like NEW with our E58H Complete Pump Rebuild Kit.

Kits have everything needed to rebuild your pump.

Includes:

- Motor
- Gear Pump
- Coils
- Valves
- Solenoid
- Master Seal Kit
- Hydraulic Oil
- Spray Paint
- Ram



Part No.	Description
CRK58H	E58H Complete Rebuild Kit

E58H VALVE & SEAL REBUILD KIT

Need to rebuild just your Valves & Seals, we have you covered with our Valve & Seal Rebuild Kit.

Kit has all you need to get the job done.

Includes:

- Valves
- Relief Valve Kits
- Crossover Valve Kits
- Seal Pump Shaft
- Hydraulic Oil

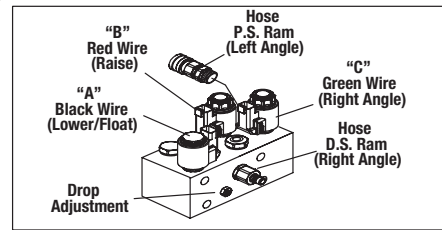
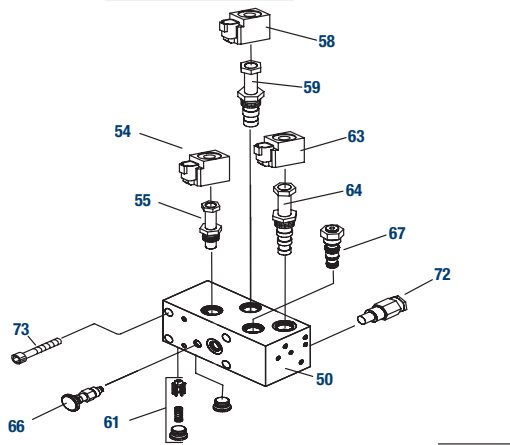


Part No.	Description
VSRK58H	E58H Valve & Seal Rebuild Kit

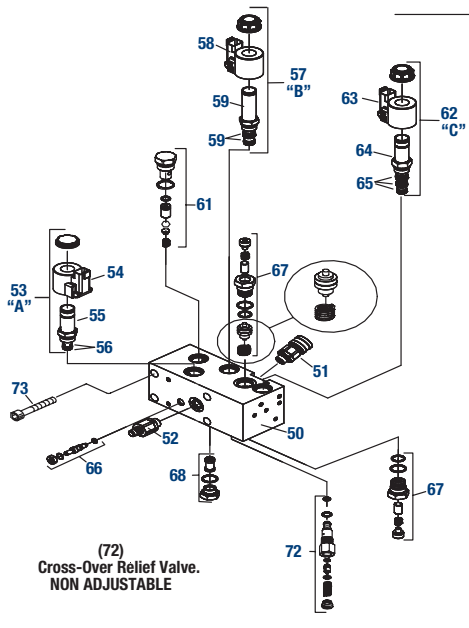
Meyer® Snow Plow Replacement Parts - E58H Pump

Meyer®

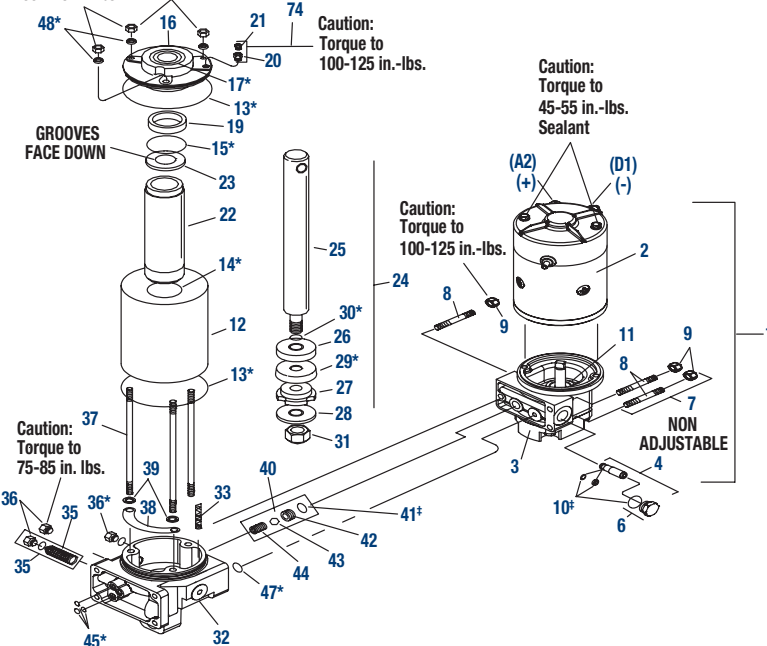
E-58H New Block



E-58H Old Block



Caution:
Torque to
100-125 in.-lbs.



U0001



1-M15154

Meyer® Snow Plow Replacement Parts - E58H Pump

Meyer®

Dia. No.	Part No.	Description
-	U0001	Universal Quart Oil (Replc 15134, 49311 & 28531)
-	U0001-12	Universal Oil - Case (12 Qrts)
-	1-M15134	OEM - Quart Meyer Oil
-	1-M15134-12	OEM - Meyer Hydraulic Fluid - Case (12 Qrts)
1	1-M15869	OEM - Pump / Motor Conversion Kit, (E47 to E57)
2	1-M15727	OEM - Two Terminal Motor Only
3	1-M15889	OEM - Pump Assembly
4	1-M15874	OEM - Relief Valve Assembly
6	1-M15878	OEM - Plug w/ O-Ring
7	1-M08788	OEM - Hdwe Bag Conv Kts E57 15869/90
8	1-M15973	OEM - Stud E57/E58H/E68 Pump/Base
9	1-M20697	OEM - Locknut ESNA 5.16-24 Hex
11	1-M15877	OEM - Pump Shaft Seal
12	1-M15204	OEM - Reservoir Tank, 8 Inch Stroke, (8.125 Inch Long)
16	1-M15738C	OEM - Cover & Seal Assy Clam Packaged
19	M15737	Sleeve E58H / E60..
20	1-M21805C	OEM - Reducer Bushing
21	1-M21806C	OEM - Pressure Relief Valve
22	1-M15205	OEM - Cylinder, E47H / E57H / E58H & E60H Only
23	1-M15209	OEM - Thrust Washer

Dia. No.	Part No.	Description
24	1-M15761	OEM - Rod Assembly 1-1/8 Inch X 8 Inch
25	M15206	Rod 8 Inch Stroke, "H" Series
26	1-M15158	OEM - Piston
27	1-M15219	OEM - Piston Follower
28	1-M15760	OEM - Pump Spacer H Models Only
31	1-M20316	OEM - Nut ESLOK 12-13 Zinc
32	1-M15980	OEM - E58H Base & Strainer Assembly
33	M15326	Strainer - Base Sump
34	1-M15641	OEM - Filter Kit (9/16 Inch Cap)
35	1-M15619C	OEM - 1/2 Inch Filter, (2 Each)
36	1-M21999	OEM - 9/16 Inch Drain Plug w/ O-Ring
37	1-M15203	OEM - Stud 9.25 Inch
38	1-M15621	OEM - Baffle
39	1-M21980	OEM - Retaining Ring 5/16 Inch
40	1-M15574	OEM - Check Valve Pump Kit
42	1-M15354	OEM - Seat Sump Valve
43	1-M15603	OEM - 9/32 Inch Ball Steel
44	1-M15604	OEM - Spring Sump Check
49	1-M20697	OEM - Locknut ESNA 5.16-24 Hex
74	M08473	Pressure Relief Valve
74	M08473H	Pressure Relief Valve - Header Tagged

E58H NEW BLOCK - ONLY

Dia. No.	Part No.	Description
50	1-M15967	OEM - New Style PA Block w/Cplr, E47/57/58/60/61
54	1-M15118	OEM - Coil, 10V / 16W
55	1-M15146	OEM - Valve, S1
58	1-M15118	OEM - Coil, 10V / 16W
59	1-M15117	OEM - Cartridge, 3W
61	1-M15152	OEM - Check Valve, V71/E72

Dia. No.	Part No.	Description
63	1-M15118	OEM - Coil, 10V / 16W
64	1-M15111	OEM - Cartridge, 4W
66	1-M15165	OEM - Needle Valve, V71 / E72, E58H New Block
67	1-M15148	OEM - Check Valve..
72	1-M15179	OEM - Valve, Relief, E72
73	1-M21826	OEM - SHCS 5/16-18 X 1-1/2 Inch

E58H OLD BLOCK - ONLY

Dia. No.	Part No.	Description
50	1-M15967	OEM - New Style PA Block w/Cplr, E47/57/58/60/61
51	1-M22445C	OEM - Clam Packaged SAE Male Threaded Coupler
52	1-M22442C	OEM - Clam Packaged SAE Male Thread Nipple
53	1-M15925C	OEM - Clam Packaged A-Solenoid Assembly
54	M15916	ABC - Coil With Connector
55	M15917	A & B -Cartridge Valve
56	1-M15928	OEM - Seal Kit - A & B Cartridge Valve
57	1-M15926C	OEM - Clam Packaged B-Solenoid Assembly E58H
58	M15916	ABC - Coil With Connector
59	M15918	C & D-Valve 5/8 Inch

Dia. No.	Part No.	Description
60	1-M15929	OEM - Seal Kit - C & D Cartridge Valve
61	1-M15959	OEM - B - Check Valve Kit (E58H)
62	1-M15987	OEM - C-Solenoid Kit E58H / E78-1Pc
63	M15916	ABC - Coil With Connector
64	M15958	C-Cartridge Valve
65	1-M15930	OEM - Seal Kit - C Cartridge Valve
66	1-M15950	OEM - Needle Valve Kit
67	1-M15965	OEM - Dual Check Vlv Kit - E58H, E68, E78, E88 Pumps
68	1-M15951C	OEM - Clam Packaged PA Block Filter
72	M15974C	Crossover Valve Kit
73	1-M21826	OEM - SHCS 5/16-18 X 1-1/2 Inch

BASIC SEAL KIT M15254

Dia. No.	Part No.	Description
-	M15254	Basic Seal Kit For E46 / E47 & E57 Pumps
13*	M15131	O-Ring, 3-1/2 Inch
14*	M15163	O-Ring, 1-15/16 Inch
15*	M15198	O-Ring Clear, 1-1/8 Inch
17*	M05119	Seal Wiper
17	M05119H	Seal Wiper - Header Tagged

Dia. No.	Part No.	Description
29*	M15162	Piston Rod Packing Cup
30*	M15125	Packing O-Ring
45*	M15122	O-Ring, 1/4 Inch
47*	M15127	O-Ring, 5/8 Inch
48*	M21929	Nylite Washer 5/16 Inch
N/I	M15126	Packing O-Ring

MASTER SEAL KIT M15969

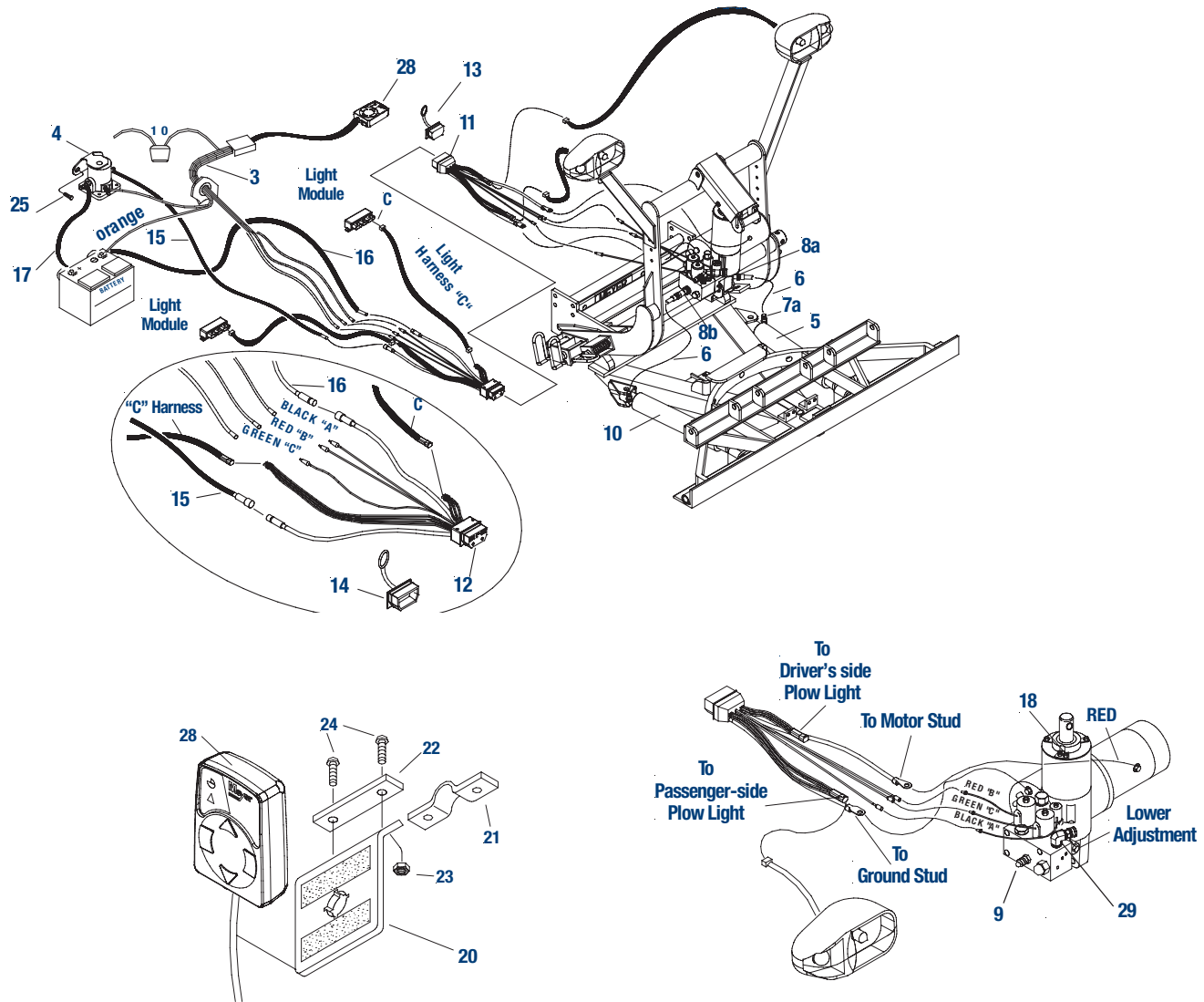
Dia. No.	Part No.	Description
-	M15969	Master Seal Kit E58H, (No OIL)
-	M15254	Basic Seal Kit For E46 / E47 & E57 Pumps

Dia. No.	Part No.	Description
10*	M15875	Seal Kit Relief Valve
41*	M15124	O-Ring, 3/8 Inch

Meyer® Snow Plow

Pump to Control Schematic with Touch Pad & Nite Saber Lights - E60

Meyer®



Dia. No.	Part No.	Description
3	1-M15764	OEM - Harness T-Plug Square Plug 22154
4	M15370	Motor Solenoid
5	M07968	Angle Cylinder 1-1/2 Inch X 10 Inch
6	M22396	Hose 1/4 Inch X 39 Inch
7A	1-M22460	OEM - 90 Degree Elbow
7C	1-M22650	OEM - Adapter Female SAE-6 To M 1/4 NPT
8A	M22291	1/4" Male NPT Hose Coupler
8B	M22292	1/4" Female NPT Coupler
10	M07968	Angle Cylinder 1-1/2 Inch X 10 Inch
11	1-M22262	OEM - 1 pc. Plug Plow Side Harness, Male
12	1-M22261	OEM - 1 pc. Plug Vehicle Side, Female
13	1-M22263	OEM - Weather Plug - Plow Side
14	1-M22279	OEM - Weather Plug (Vehicle Side)
15	M15671	Red Power Cable 63"
16	M15672	Black Ground Cable 51"
17	M05024	Red Power Cable 36 Inch

Dia. No.	Part No.	Description
18	M08473	Pressure Relief Valve
18	M08473H	Pressure Relief Valve - Header Tagged
19	1-M15102	OEM - Bolt H 5/16-18X1/2 Gr2 Cp
20	1-M15673	OEM - Bracket
21	1-M15675	OEM - Plate - Clamp
22	1-M15676	OEM - Plate Backup
23	1-M20312	OEM - Nut Eslok 1/4-20 Black Pav
24	1-M20863	OEM - Scr Mach 1/4 20 X 1.0 Rd Hd
25	1-M21398	OEM - Scr Self Tap 1/4-14 X 3/4
26	1-M21400	OEM - Washer 5/16 Int/Ext Tooth
27	1-M21832	OEM - Bushing Split 43/64 Id 7/8 OD
28	U22154	Touch Pad Controller - Square Plug
N/I	1-M22325	OEM - Low Spill Coupler Plug-Male
N/I	1-M15765	OEM - Electrical Hardware Bag
N/I	1-M07273	OEM - Tap Conn 3M Scotchlok 56O
N/I	M20146	Bolt 5/8-11 X 3-1/4 Inch Grade 5 With Locknut

Meyer® Snow Plow Rebuild Kits - E60/E60H Pumps

E60 & E60H COMPLETE REBUILD KIT

Make that old pump look like **NEW** with our E60 & E60H Complete Pump Rebuild Kits.

Kits have everything needed to rebuild your

Includes:

- Motor
- Gear Pump
- Coils
- Valves
- Solenoid
- Filter
- Relief Valve
- Seal Kit
- Hydraulic Oil
- Spray Paint
- Ram



Part No.	Description
CRK60	E60 Complete Rebuild Kit
CRK60H	E60H Complete Rebuild Kit

E60 & E60H VALVE & SEAL REBUILD KIT

Need to rebuild just your Valves & Seals, we have you covered with our Valve & Seal Rebuild Kit.

Kit has all you need to get the job done.

Includes:

- Valves
- Pressure Relief Valve
- Crossover Valve
- Seal Kit
- Pilot Check Valve Kit
- Filters
- Hydraulic Oil



Part No.	Description
VSRK60/H	E60 & E60H Valve & Seal Rebuild Kit

Meyer® Snow Plow Replacement Parts - E60/E60H Pumps

Meyer®



U0001



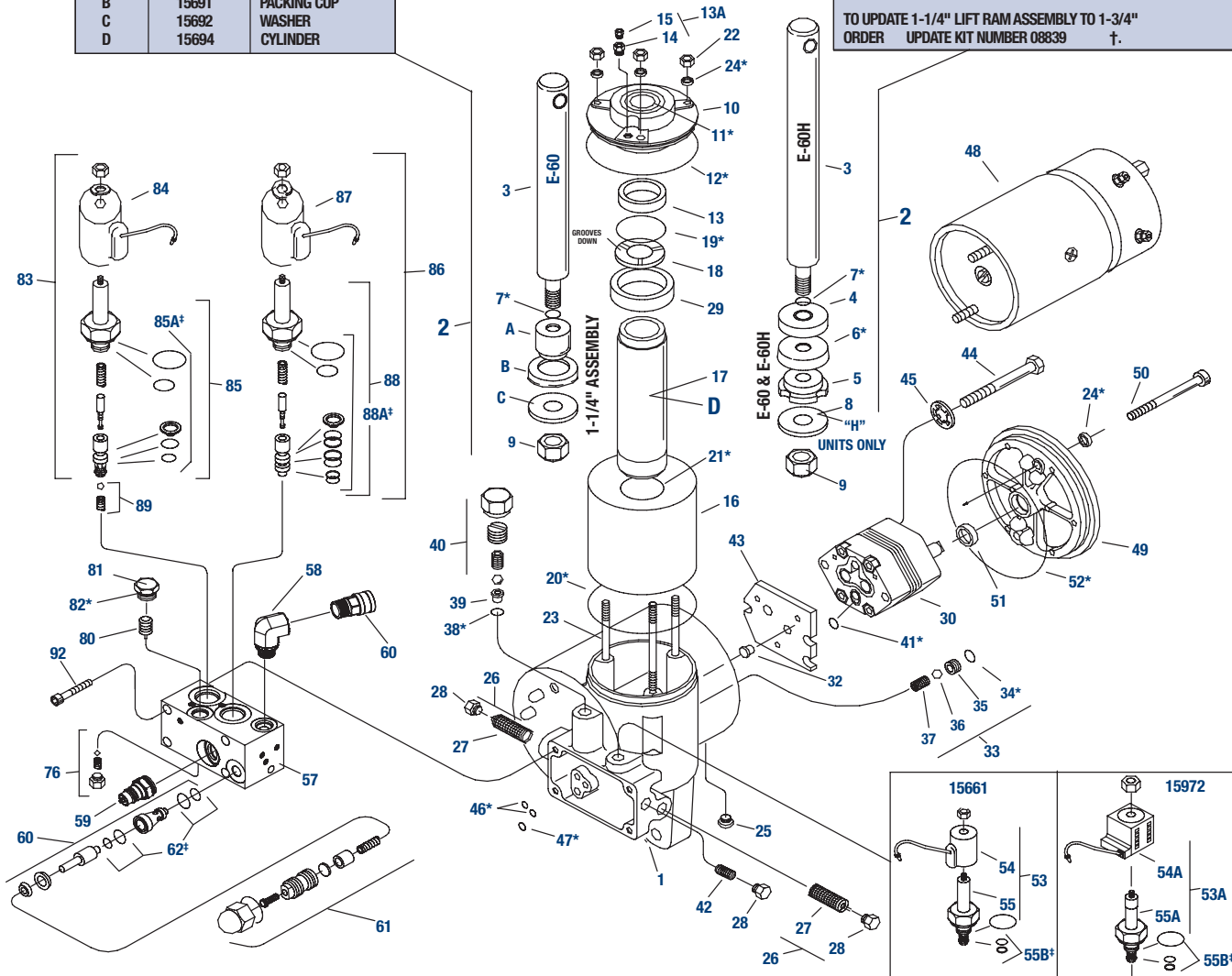
1-M15134

NOTE: E-60 - ITEM #2
1-1/4" RAM ASSEMBLY 15706 IS STILL AVAILABLE

ITEM	PART NO.	DESCRIPTION
A	15690	PISTON
B	15691	PACKING CUP
C	15692	WASHER
D	15694	CYLINDER

NOTE: E-60 - ITEM #2
RAM ASSEMBLY HAS CHANGED and IS NOW 1-3/4"
LIFT RAM ASSEMBLY IS PART NO.15335

TO UPDATE 1-1/4" LIFT RAM ASSEMBLY TO 1-3/4"
ORDER UPDATE KIT NUMBER 08839 †.



†08839 Contains: Diagram Numbers 4, 5, 6, 7, 8, 9, 17, 22

Meyer® Snow Plow Replacement Parts - E60/E60H Pumps

Meyer®

Dia. No.	Part No.	Description
-	U0001	Universal Quart Oil (Replc 15134, 49311 & 28531)
-	U0001-12	Universal Oil - Case (12 Qrts)
-	1-M15134	OEM - Quart Meyer Oil
-	1-M15134-12	OEM - Meyer Hydraulic Fluid - Case (12 Qrts)
1	1-M15726	OEM - Sump Base; E60 / E60H
4	1-M15158	OEM - Piston
5	1-M15219	OEM - Piston Follower
9	1-M20316	OEM - Nut ESLOK 12-13 Zinc
10	1-M15738C	OEM - Cover & Seal Assy Clam Packaged
10	M15194	Cover & Seal Assembly
13	M15737	Sleeve E58H / E60
13A	M08473	Pressure Relief Valve
13A	M08473H	Pressure Relief Valve - Header Tagged
14	1-M21805C	OEM - Reducer Bushing
15	1-M21806C	OEM - Pressure Relief Valve
18	1-M15209	OEM - Thrust Washer
22	1-M20697	OEM - Locknut ESNA 5.16-24 Hex
25	1-M22129	OEM - Plug W/ O-Ring
26	1-M15641	OEM - Filter Kit (9/16 Inch Cap)
27	1-M15619C	OEM - 1/2 Inch Filter, (2 Each)
28	1-M21999	OEM - 9/16 Inch Drain Plug w/ O-Ring
30	M15729	Replacement Gear Pump For E60
32	1-M15713	OEM - Locator Dowel
33	1-M15574	OEM - Check Valve Pump Kit
35	1-M15354	OEM - Seat Sump Valve
36	1-M15603	OEM - 9/32 Inch Ball Steel
37	1-M15604	OEM - Spring Sump Check
39	1-M15702	OEM - Ball Seat Relief Valve
40	1-M15699	OEM - Relief Valve, Fenner RV
42	1-M22118	OEM - Socket Set Screw 3/8-24 X 1/2 Inch
43	1-M15703	OEM - Motor Bracket
44	1-M22119	OEM - Bolt Hex 3/8-16 X 3-1/4 Inch Grade 5

Dia. No.	Part No.	Description
45	1-M21083	OEM - Washer 3/8 Inch Internal Tooth
48	M15841	4-1/2 Inch, 2-Post Motor
49A	1-M15730	OEM - Cover / Motor Mount: E50-E60
49B	1-M15831	OEM - Motor Mount Cover W/ Tab
50	1-M22120	OEM - SHCS 5/16-18 X 3-1/4 Inch
51	M15686	Shaft Seal E60 / E60H
53	M15661	A Coil & Vlv Assy, New Style, 5/8", Black Wire
53	M15661C	A Coil & Vlv Assy, New Style, 5/8", Black Wire - C-Pk
53A	1-M15972C	OEM - A Coil & Valve Assembly
54	M15659	A Coil, New Style, 5/8 Inch Hole, Black Wire
54A	1-M15905C	OEM - A Coil, Black Wire Plastic
55	M15660	A Valve, New Style, 5/8 Inch Stem, Black Wire
57	1-M15967	OEM - New Style PA Block w/Cplr, E47/57/58/60/61
58	1-M22295	OEM - Forged 90 Deg Elbow 3/4-16
59	M22293	Male Coupler 3/4-16 Valve Block Side
60	M22294	Female Coupler 3/4-16 Valve Block Side
61	M15606	Crossover Relief Valve Kit
80	1-M15609	OEM - Piston
81	1-M15359	OEM - Valve Block Plug
83	M15697	B Coil & Valve Assembly, Red Wire (Raise)
83	M15697C	B Coil & Valve Assembly, Red Wire - C-Pk
84	M15382	B Coil - Red Wire
84	M15382C	B Coil - Red Wire - Clam Packed
85	M15698	B Valve
86	M15358	C Coil & Valve Assembly (Angle)
86	M15358C	C Coil & Valve Assembly - Clam Packed
87	M15430	C Coil - Green Wire
87	M15430C	C Coil - Green Wire - Clam Packed
88	M15381	C Valve - Green Wire
89	1-M15576	OEM - Check Valve Kit, B - Solenoid
92	1-M21826	OEM - SHCS 5/16-18 X 1-1/2 Inch

E60 PUMP - ONLY

Dia No.	Part No.	Description
2	1-M15335	OEM - Rod Assembly 1-1/8" x 6" (1-3/4" Upgrade)
2	1-M15706	OEM - Ram Assembly 1 1/8" X 6"
3	M15208	Rod 6 Inch Stroke
16	1-M15696	OEM - Tank E60 (3-5/8" Long) - 6" Stroke
17	1-M15953	OEM - Cyl Tube 1.75" Bore X 6" (08839 KIT)
21*	M15693	O-Ring 1-1/2" I.D.
23	1-M15708C	OEM - Stud For 6" Stroke (3 Ea)
29	1-M15695	OEM - Spacer Ring
A	1-M15690	OEM - Piston
B	M15691	Packing Cup E60
C	1-M15692	OEM - Flat Washer
D	1-M08839	OEM - Kit: Cylinder 1.75" Dia. E60

E60H PUMP - ONLY

Dia No.	Part No.	Description
2	1-M15336	OEM -E60H Ram Assembly 1-1/8" X 8"
3	M15206	Rod 8 Inch Stroke, "H" Series
8	1-M15760	OEM - Pump Spacer H Models Only
16	1-M15704	OEM - Tank E60H (5-3/4" Long) - 8" Stroke
17	1-M15205	OEM - Cylinder, E47H / E57H / E58H & E60H Only
21*	M15163	O-Ring, 1-15/16 Inch
23	1-M15709	OEM - Stud 8" Stroke

BASIC SEAL KIT M15707

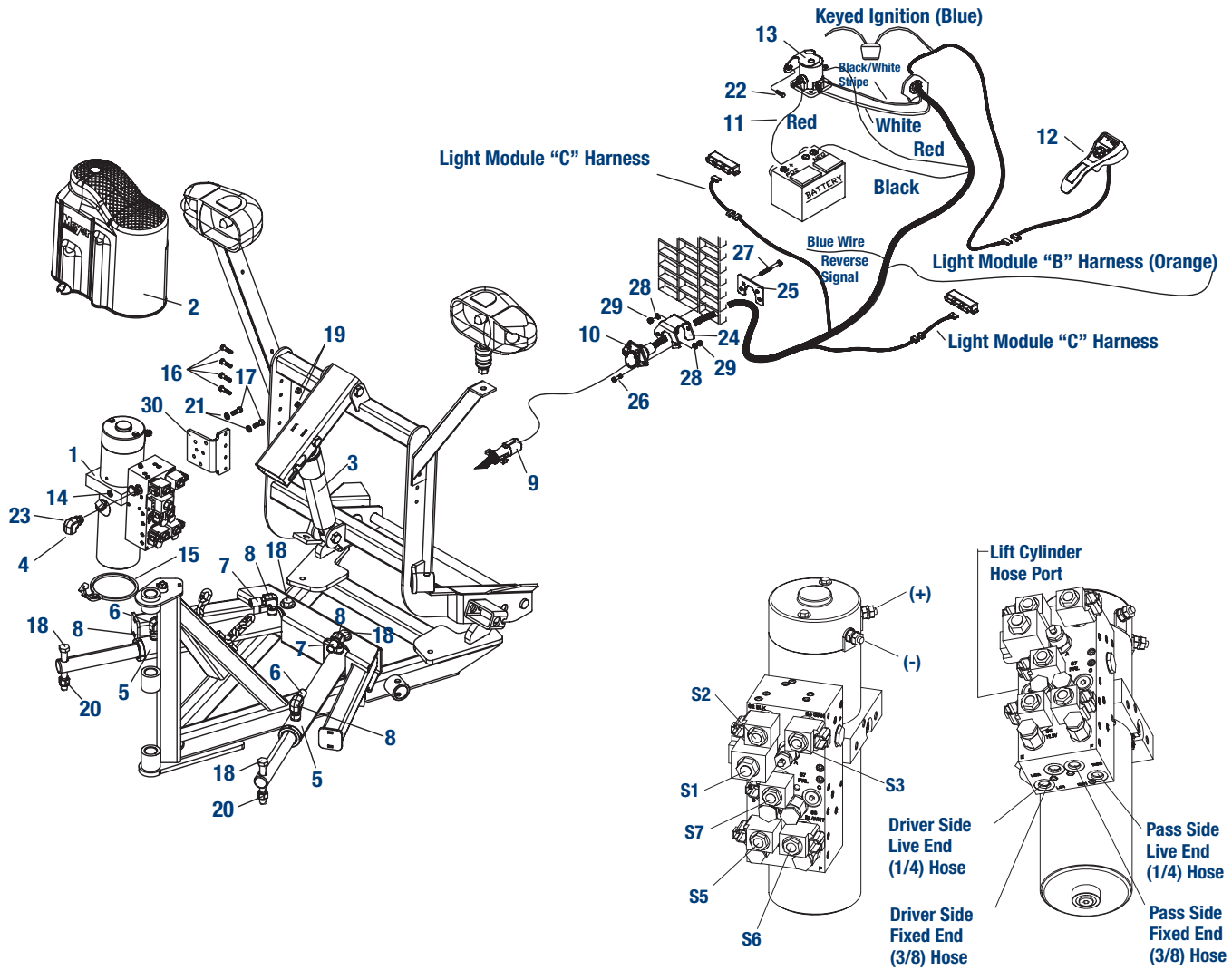
Dia No.	Part No.	Description
-	M15707	Basic Seal Kit; E60, E60H
6*	M15162	Piston Rod Packing Cup
7*	M15125	Packing O-Ring
11*	M05119	Seal Wiper
11	M05119H	Seal Wiper - Header Tagged
12*	M15131	O-Ring, 3-1/2 Inch
19*	M15198	O-Ring Clear, 1-1/8 Inch
20*	M15131	O-Ring, 3-1/2 Inch
21*	M15693	O-Ring 1-1/2" I.D.
21*	M15163	O-Ring, 1-15/16 Inch
24*	M21929	Nylite Washer 5/16 Inch
34*	M15124	O-Ring, 3/8 Inch
38*	M15700	O-Ring
41*	M15701	O-Ring - .370"
46*	M15122	O-Ring, 1/4 Inch
47A*	M15123	O-Ring 5/16 Inch I.D.
47B*	M15124	O-Ring, 3/8 Inch
52*	M15687	O-Ring 4-3/4 I.D.
82*	M15126	Packing O-Ring

MASTER SEAL KIT M15705

Dia No.	Part No.	Description
-	M15705	Master Seal Kit For E60 / E60H
-	M15707	Basic Seal Kit; E60, E60H
55B‡	M15431	A Valve Seal Kit
62‡	M15610	Crossover Relief Valve Seal Kit
85A‡	M15432	B Valve Seal Kit
88A‡	M15433	C Valve Seal Kit

Meyer® Snow Plow Pump to Control Schematic - V70

Meyer®

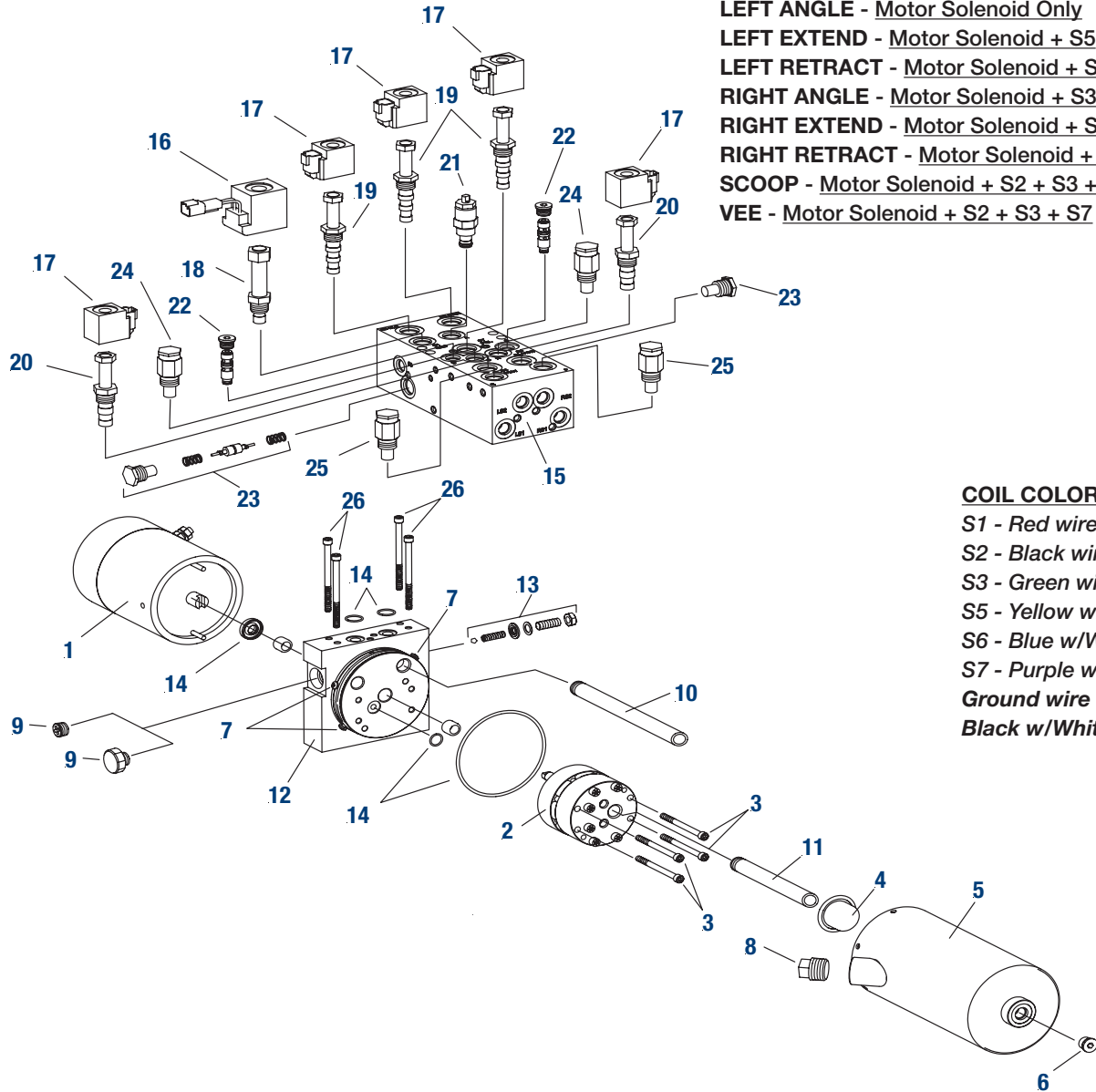


Dia. No.	Part No.	Description
1	1-M15092	OEM - Hyd V70 12V Unit Only
2	1-M15633	OEM - Hydraulic Cover, V70
3	1-M05815	OEM - Lift Cyl 1.75 X 8 Sae-6
4	1-M22420	OEM-Hose Assy 1/4" X 33" M-6 X Face Seal
5	1-M05755	OEM - RAM SAE-6 DA Angle 1.5 X 12 SV
6	1-M22420	OEM-Hose Assy 1/4" X 33" M-6 X Face Seal
7	1-M22418	OEM - Hose Assy 3/8X33" M-6X Face Seal
8	1-M22460	OEM - 90 Degree Elbow
9	1-M22696	OEM - Super V Plowside Harness Rnd
10	1-M22691S	OEM - Truck Side Main Harness E58/ E68 / V68
11	M05024	Red Power Cable 36 Inch
12	1-M22695DC	OEM - Control Pistol Grip Dbl Clik
12	1-M22790X	OEM - Cntrl Joystick Dlx Alm/Arm
13	M15370	Motor Solenoid
14	1-M15107	OEM - Plug, Breather
14	1-M15067	OEM - Reservoir Breather, Drive Pro

Dia. No.	Part No.	Description
15	1-M15634	OEM - Hydraulic Cover Strap, V70
16	1-M20029	OEM - Bolt H 5/16 18 X 1 1/2 G2 Cp
17	1-M20050	OEM - Bolt H 3/8 16 X 1 1/4 G2 Cp
18	1-M20152	OEM - Bolt Hex 5/8-11 X 5 Inch Grade 5
18	1-M20153	OEM - Bolt H 5/8-11 X 5-1/2 Inch Grade 5
19	1-M20304	OEM - Locknut Esna 5/16-18 Zinc Pld
20	1-M20309	OEM - Locknut ESNA 5/8-11 Zinc
21	1-M20327	OEM - W/L Spr Med 3/8
22	1-M21398	OEM - Scr Self Tap 1/4-14 X 3/4
23	1-M22460	OEM - 90 Degree Elbow
N/I	1-M08202	OEM - Hdw Bag E78 Plug Bracket
24	1-M19607	OEM - Plug Bracket
25	1-M19609	OEM - Plate
26	1-M20027	OEM - Bolt 5/16-18 X 1" Grd 2
27	1-M22658	OEM - Bolt H 5/16-18 X 3 Full Td Grade 2
28	1-M20326	OEM - Lockwasher 5/16 Inch
29	1-M20525	OEM - Hex Nut 5/16-18
30	1-M13333	OEM - Mt Brkt, V70/V71/E72

Meyer® Snow Plow Replacement Parts - V70 Pump

Meyer®



- RAISE** - Motor Solenoid + S1 + S2
- LOWER** - S1 + S2 + S3
- LEFT ANGLE** - Motor Solenoid Only
- LEFT EXTEND** - Motor Solenoid + S5
- LEFT RETRACT** - Motor Solenoid + S7
- RIGHT ANGLE** - Motor Solenoid + S3
- RIGHT EXTEND** - Motor Solenoid + S3 + S6
- RIGHT RETRACT** - Motor Solenoid + S3 + S7
- SCOOP** - Motor Solenoid + S2 + S3 + S5 + S6 + S7
- VEE** - Motor Solenoid + S2 + S3 + S7

COIL COLOR CODE

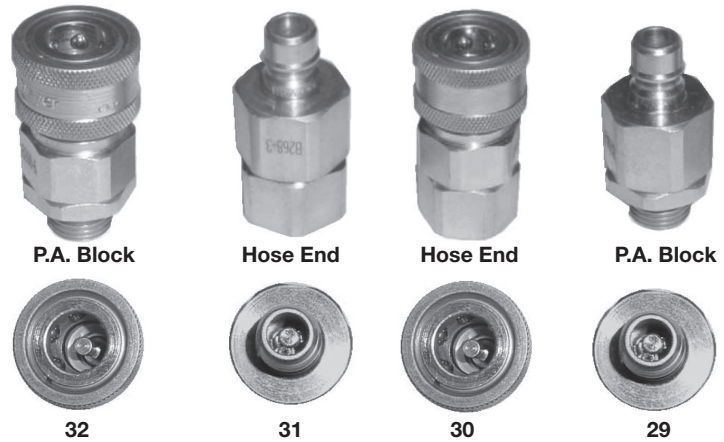
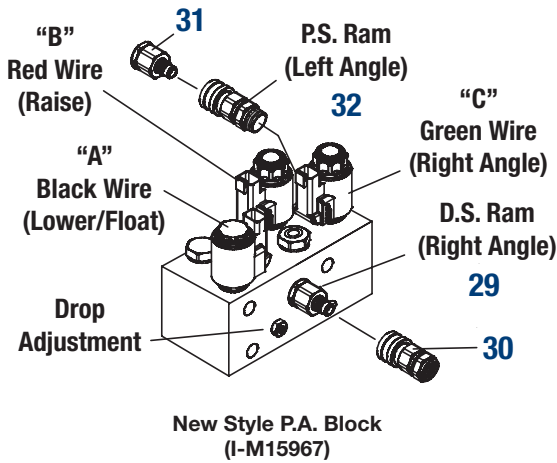
- S1 - Red wire
- S2 - Black wire
- S3 - Green wire
- S5 - Yellow wire
- S6 - Blue w/White stripe
- S7 - Purple wire
- Ground wire each coil
- Black w/White stripe

Dia. No.	Part No.	Description
-	1-M15092	OEM - Hyd V70 12V Unit Only
1	1-M15070	OEM - Motor Monarch #18442
2	1-M15097	OEM - Pump
3	1-M15083	OEM - SHCS, Monarch #07818
4	1-M15101	OEM - Filter, Screen
5	1-M15103	OEM - Resv, Stl
6	1-M15104	OEM - Plug, Sae
7	1-M15106	OEM - Screw, Selftap
8	1-M15108	OEM - Plug, Pipe
9	1-M15107	OEM - Plug, Breather
9	1-M15067	OEM - Reservoir Breather, Drive Pro
10	1-M15099	OEM - Tube
11	1-M15100	OEM - Tube
12	1-M15095	OEM - Pump Base

Dia. No.	Part No.	Description
13	1-M15121	OEM - Relief Valve Kit
14	1-M15082	OEM - O-Ring Kit, Monarch E70
15	1-M15105	OEM - Valve Assy
16	1-M15079	OEM - Coil, Monarch #18796-Drd
17	1-M15118	OEM - Coil, 10V / 16W
18	1-M15112	OEM - Cartridge, 2W
19	1-M15111	OEM - Cartridge, 4W
20	1-M15117	OEM - Cartridge, 3W
21	1-M15113	OEM - Valve, Flw Ctrl
22	1-M15188	OEM - PO Check
23	1-M15128	OEM - Check Valve Kit
24	1-M15115	OEM - Valve, Relief
25	1-M15116	OEM - Valve, Relief
26	1-M15098	OEM - SHCS 1/4-20 X 31/2

Meyer® Snow Plow Coupler & Hose Identification

Meyer®



Used on the E-58H, E-61H, E-68, E-78 and E-88
Note: E-68 and E-88 require two 08206 Coupler Kits

PASSENGER SIDE NPT HOSE WITH SAE ADAPTER



DRIVERS SIDE NPT HOSE WITH SAE ADAPTER



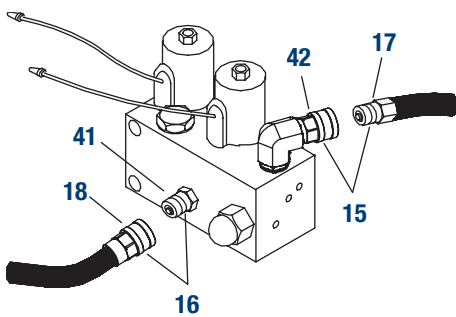
PASSENGER SIDE SAE HOSE



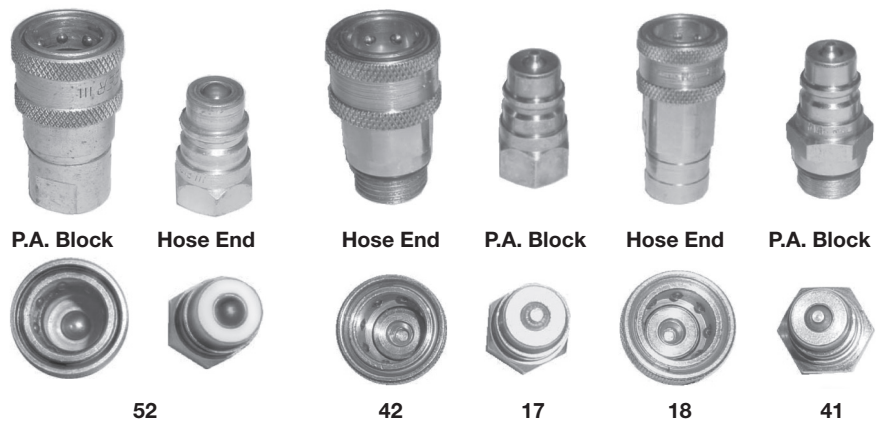
DRIVER'S SIDE SAE HOSE



Note: Only use couplers (22443 and 22444) on units installed on E-Z Mount Classic or E-Z Mount Custom Plow Systems where only the plow is removed from the vehicle



Note: Has been replaced by New Style P.A. Block



Used on the E-47, E47H, E-60 and E-60H

Used on the E-47, E-47H, E-57, E-57H, E-60 and E-60H

Dia. No.	Part No.	Description
15	M15847C	1/4 NPT Coupler Male Hose Female Block
16	M15848C	1/4 NPT Coupler Female Hose Male Block
17	M22291	1/4" Male NPT Hose Coupler
18	M22292	1/4" Female NPT Coupler
29	1-M22442C	OEM - Clam Packaged SAE Male Thread Nipple
30	1-M22443C	OEM - Clam Packaged Female Coupler

Dia. No.	Part No.	Description
31	1-M22444C	OEM - Clam Packaged Female Thread Nipple
32	1-M22445C	OEM - Clam Packaged SAE Male Threaded Coupler
33	1-M22652	OEM - Adapter Female 1/4 NPT To M SAE-6
41	M22293	Male Coupler 3/4-16 Valve Block Side
42	M22294	Female Coupler 3/4-16 Valve Block Side
52	M15072	1/4" "Ball" Style Quick Coupler (Replace W25232 & FA1587)

Meyer® Snow Plow Hoses, Valves, Coils, & Fittings

HOSES

Part No.	Description
M21856	Hose With Swivel 1/4 Inch X 45 Inch
M21866	Hose With Swivel 65 Inch
M21868	Hose With Swivel 70 Inch
M21867	Hose With (2) Swivels 70 Inch
M22395	Hose 1/4" X 33"

Part No.	Description
M22396	Hose 1/4" X 39"
M22144	Hose 1/4" X 45" MPR X FPR Hose (E-60)
1-M22144C	OEM - Hose Assembly:1/4" X 45"
1-M22420	OEM - Hose Assembly 1/4" x 33" M-6 x Faceseal
1-M22461	OEM - Hose Assembly 1/4" x 38" M-6 x Faceseal

VALVES, COILS & ASSEMBLIES

Part No.	Description
M15393	A-Valve 3/8" Stem, Old Style
M15660	A-Valve, 5/8" Stem, Black Wire
M15917	A & B -Cartridge Valve
M15698	B-Cartridge Valve
1-M15926C	OEM - B-Solenoid Assembly E58H
M15381	C-Cartridge Valve - Green Wire
M15958	C-Cartridge Valve
M15918	C & D-Valve 5/8"
1-M15112	OEM - Cartridge, 2W
1-M15117	OEM - Cartridge, 3W
1-M15111	OEM - Cartridge, 4W
1-M15905C	OEM - A-Coil, Black Wire Plastic

Part No.	Description
M15392	A - Coil 3/8" Hole, Old Style - Black Wire
M15659	A - Coil, 5/8" Hole, Black Wire
M15382	B - Coil - Red Wire
M15430	C - Coil - Green Wire
M15916	ABC - Coil With Connector
1-M15079	OEM - Coil, Monarch #18796-Drd
1-M15118	OEM - Coil, 10V / 16W
1-M15972C	OEM - A-Solenoid Assembly
M15356	A-Solenoid Valve Assembly 3/8" Stem
M15661	A-Solenoid Valve Assembly 5/8" Stem
M15697	B-Valve Assembly- Red Wire
M15358	C-Solenoid Valve Assembly

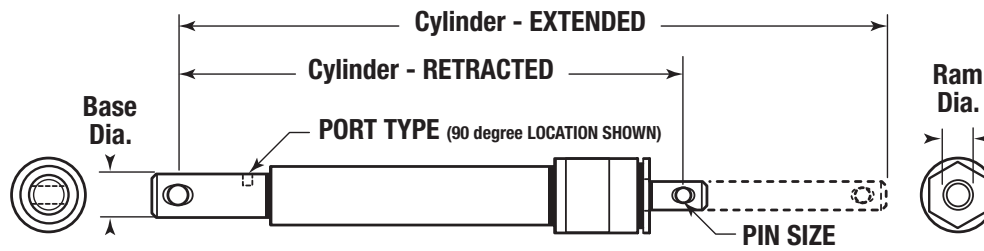
FITTINGS

Part No.	Description
M15072	1/4" "Ball" Style Quick Coupler
M22291	1/4" Male NPT Hose Coupler
M22292	1/4" Female NPT Coupler
M22293	Male Coupler 3/4-16 Valve Block Side
M22294	Female Coupler 3/4-16 Valve Block Side
M21855	Swivel Elbow 1/4 Inch X 90 Degree
M15847C	1/4 NPT Coupler Male Hose Female Block
M15848C	1/4 NPT Coupler Female Hose Male Block

Part No.	Description
1-M22442C	OEM - Clam Packaged SAE Male Thread Nipple
1-M22443C	OEM - Clam Packaged Female Coupler
1-M22444C	OEM - Clam Packaged Female Thread Nipple
1-M22445C	OEM - Clam Packaged SAE Male Threaded Coupler
1-M22295	OEM - Forged 90 Degree Elbow 3/4-16
M22294	Female Coupler 3/4-16 Valve Block Side
1-M21805C	OEM - Reducer Bushing Clam Packaged

Meyer® Snow Plow Replacement Parts - Cylinders & Packing

Meyer®



CYLINDERS

Part No.	OEM No.	Bore X Stroke	Acting	Retracted	Extended	Ram Dia.	Base Dia.	Pin Size	Port Type	Port Location (Degree)
M05437	05437	1-1/2" X 12"	Single	18"	30"	1-1/2"	1-5/8"	5/8"	1/4" NPT	Inline
M05752	05752	2" X 12"	Single	18"	30"	1-5/8"	1-5/8"	5/8"	1/4" NPT	Inline
M05810	05810	1-1/2" X 10"	Single	16-1/4"	26-1/4"	1-1/2"	1-5/8"	5/8"	1/4" NPT	Inline
M05984	05984	1-1/2" X 6"	Single	12-3/8"	18-3/8"	1-1/8"	1-5/8"	5/8"	1/4" NPT	Inline
M07968	07968	1-1/2" X 10"	Single	16-1/4"	26-1/4"	1-1/2"	1-5/8"	5/8"	# 6 SAE	Cross Drilled

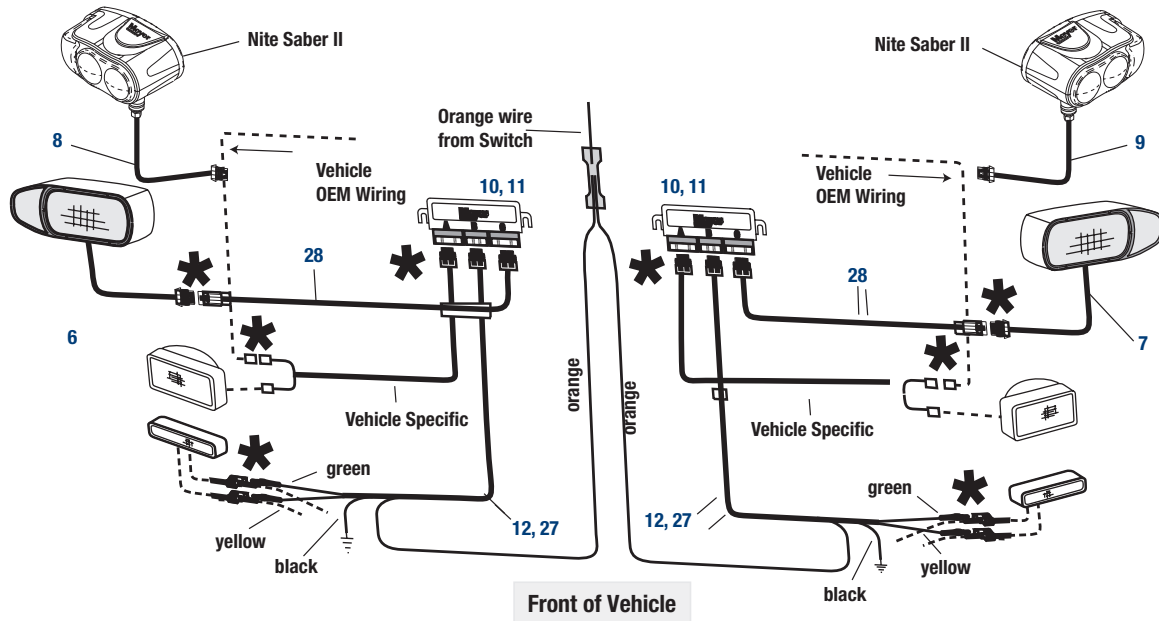
PACKING

Part No.	Description
M07705	Packing Set, 1-1/2" Ram
M07799	Packing Set, 2" Ram
M07805	Packing Nut, 1-1/2" Ram
M07806	Packing Nut, 2" Ram

Part No.	Description
1-M07832	OEM - 1-1/2" Gland Nut & Wiper Kit
1-M07831C	OEM - Angle Ram Seal Kit-1pc - (For 05810)
1-M07261	OEM - Kit: 3 Hdm Ram Packing

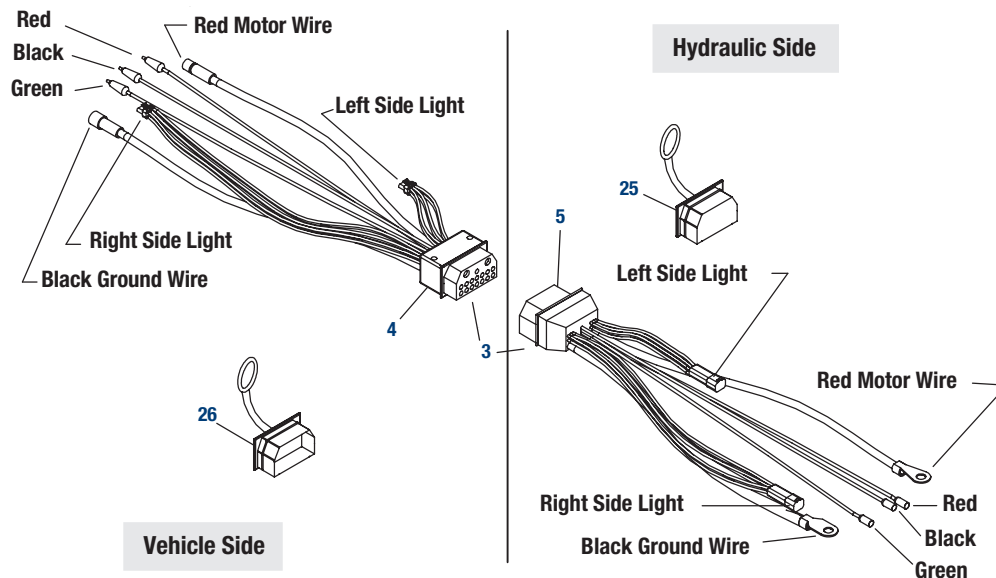
Meyer® Snow Plow Light & Wiring Schematic

NITE SABER LIGHT KIT & HARNESS KIT



Dia. No.	Part No.	Description
3	1-M07240	OEM - T.S. & P.S. Harness -O/S Bullet Connector
4	1-M22261	OEM - 1 pc. Plug Vehicle Side, Female
5	1-M22262	OEM - 1 pc. Plug Plow Side Harness, Male
6	1-M07224	OEM - Light Passenger Side (Fits 07223 & 07234)
7	1-M07225	OEM - Light Driver Side (Fits 07223 & 07234)
8	1-M07552	OEM - Nite Saber 2 - Passenger Side Light
9	1-M07551	OEM - Nite Saber 2 - Driver Side Light
10	1-M07347	OEM - New Headlight Module - 1ea (Black, Green, Yellow-Ports)
11	1-M07548	OEM - Kit: Module Carton
12	1-M07609	OEM - Cable (Black, Green, Yellow, Orange, Red)

Dia. No.	Part No.	Description
25	1-M22263	OEM - Weather Plug (Plow Side)
26	1-M22279	OEM - Weather Plug (Vehicle Side)
27	1-M07117	OEM - Cable (Wires-Black, Green, Yellow, Orange)
28	1-M07118	OEM - Wire Module C-Port To Plow Light
N/I	1-M07234	OEM - Nite Saber Light Carton
N/I	1-M07550	OEM - Light Set Nite Saber 2 With Module
N/I	1-M07119	OEM - Nite Saber Head Light Rocker Switch
N/I	1-M08701	OEM - Hardware Bag Kit 07223 & 07404
N/I	1-M08822	OEM - Hardware Bag Light Kit 07305/07223



Meyer® Snow Plow Controls, Harnesses, & Hydraulic Fluid

Meyer®

CONTROLLERS



1-M22092C



1-M15346



1-M22690



U6901



U22154

Part No.	Description
1-M22092C	OEM - Control - Single Lever Clam Packaged
1-M08574	OEM - Single Lever Control Kit
1-M15346	OEM - Toggle Switch Control Kit
M21918	Angle Toggle Switch (E-47)
M21918C	Clam Packed - Angle Toggle Switch (E47)

Part No.	Description
M21919	Raise Toggle Switch
M21919C	Clam Packed - Raise Toggle Switch (E47)
1-M22690	OEM - Straight Blade Control With Adapter
U6901	Meyer Universal Hand Held Control Kit - Straight Plows ONLY
U22154	Touch Pad Controller - Square Plug 6 Pin

HARNESSES

Part No.	Description
1-M07240	OEM - Truck Side & Plow Side Harness -O/S Bullet Connector
1-M22261	OEM - 17-Pin Plug Vehicle Side, Female
1-M22262	OEM - 17-Pin Plug Plow Side, Male
1-M22604	OEM - Female Socket (Hydraulic Side)
1-M22610	OEM - Male Plug Vehicle Side
1-M22691S	OEM - Truck Side Main Harness Split E58/ E68 / V68 - Male

Part No.	Description
1-M22692	OEM - Hrns Plowside E58 Straight Rnd - Female
1-M07117	OEM - Cable (Wires-Black, Green, Yellow, Orange)
1-M07118	OEM - Wire Module C-Port To Plow Light
1-M07609	OEM - Cable (Black, Green, Yellow, Orange, Red)
1-M22969	OEM - Harness Adapter, 22610 To 22692
1-M15478	OEM - Harness Dual Control E47 SP

CONTROL HARNESSES

Part No.	Description
1-M15478	OEM - Harness Dual Control E47 SP
1-M15764	OEM - Harness T-Pad Square Plug 22154
1-M15680	OEM - Harness Single Lever Control

Part No.	Description
1-M22717	OEM - Adapter Harness 12 Way - 6Way
1-M15766	OEM - Adapter Harness - Converts Square to Round on 22154
1-M15912	OEM - Adapt Hrns Bullet>Deutch

HYDRAULIC FLUIDS



U0001

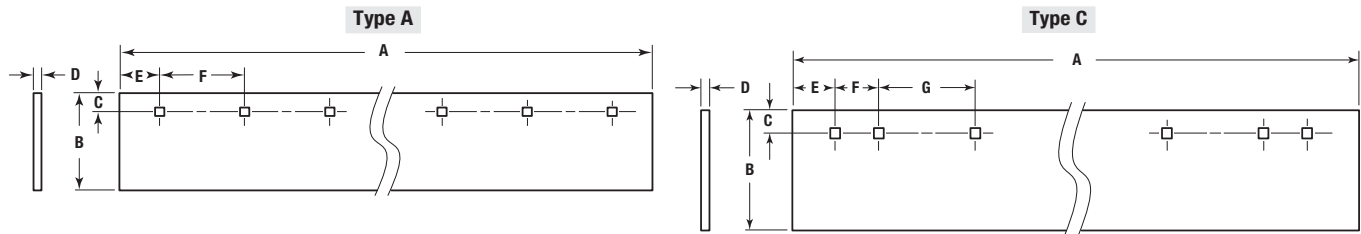


1-M15134

Part No.	Description
1-M15134	OEM - Quart Meyer Hydraulic Fluid
1-M15134-12	OEM - Meyer Hydraulic Fluid - Case (12 Qrts)
U0001	Universal Oil - Quart (Replaces 15134, 49311 & 28531)
U0001-12	Universal Oil - Case, 12 Qrts (Replaces 15134, 49311 & 28531)

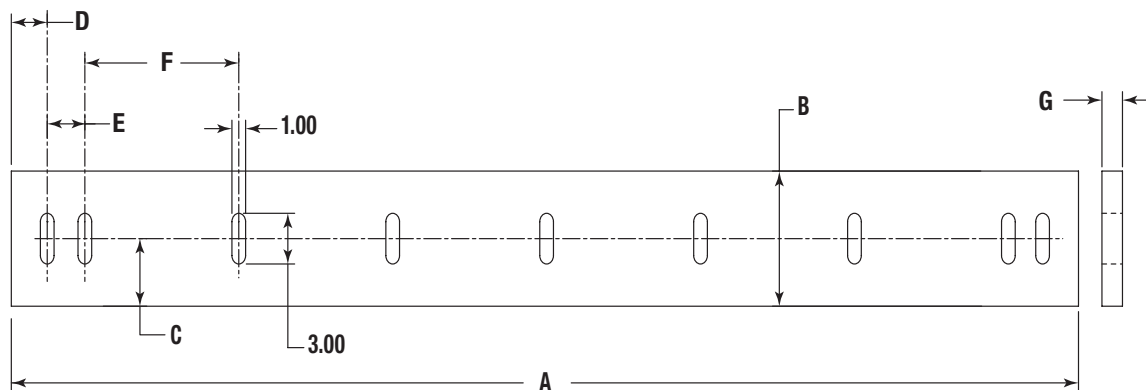
Meyer® Snow Plow Steel & Rubber Cutting Edges

STEEL EDGES



Part No.	OEM No.	Bolt Kit	Description	Type	A	B	C	Bolt Size	No. Of Holes	D	E	F	G
M09130	09130	M08184	3/8" X 6" X 72" Edge	A	72"	6"	1"	1/2"	7	3/8"	4.88"	10.38"	-
M09100	09100	M08184	3/8" X 6" X 78" Edge	A	78"	6"	2"	1/2"	6	3/8"	1.50"	15.00"	-
M09131	09131	M08184	3/8" X 6" X 78" Edge	A	78"	6"	1"	1/2"	8	3/8"	2.69"	10.38"	-
M09132	09132	M08184	3/8" X 6" X 84" Edge	A	84"	6"	1"	1/2"	7	3/8"	4.69"	12.44"	-
M09796	09796	M08184	3/8" X 6" X 90" Edge	A	90"	6"	1"	1/2"	8	3/8"	1.47"	12.44"	-
M09131HD	-	M08184	1/2" X 6" X 78" Edge	A	78"	6"	1"	1/2"	8	1/2"	2.69"	10.38"	-
M09132HD	-	M08184	1/2" X 6" X 84" Edge	A	84"	6"	1"	1/2"	7	1/2"	4.69"	12.44"	-
M09796HD	-	M08184	1/2" X 6" X 90" Edge	A	90"	6"	1"	1/2"	8	1/2"	1.47"	12.44"	-
M09133	09133	M08184	1/2" X 6" X 96" Edge	A	96"	6"	1"	1/2"	8	1/2"	4.47"	12.44"	-
M09134	09134	M08184	1/2" X 6" X 102" Edge	A	102"	6"	1"	1/2"	9	1/2"	1.25"	12.44"	-
M07259	07259	M08318	1/2" X 6" X 108" Edge	C	108"	6"	1.25"	5/8"	11	1/2"	3.00"	3.00"	12.00"
M07235	07235	M08318	1/2" X 6" X 120" Edge	C	120"	6"	1.25"	5/8"	12	1/2"	3.00"	3.00"	12.00"

RUBBER EDGES



Part No.	A	B	C	No. Of Slots	D	E	F	G
M08186	78"	6"	3"	8	2.625"	8.25"	11.25"	1"
M08187	78"	8"	3"	8	2.625"	8.25"	11.25"	1"
M08188	84"	8"	3"	8	2.625"	8.25"	11.25"	1"
M08189	90"	8"	4"	8	2.625"	14.25"	11.25"	1.50"
M08190	96"	8"	5"	10	1.50"	3"	12.4375"	1.50"
M08191	102"	8"	4"	8	2.50"	16"	13"	1.50"
M08192	108"	10"	5"	11	3"	3"	12"	1.50"
M08193	120"	10"	5"	12	3"	3"	12"	1.50"

Meyer® Snow Plow Motors & Solenoids

Meyer®

MOTORS



M15054

Details

- Rotation: Clockwise
- Overall Length: 6.374 Inches
- Shaft Outside Dia: .626 Inches
- Shaft Style: 3/16 Slot
- Terminal 1 Size: 3/16-20

The M15054 Replaces - Buyers®: 1306005; Diamond®: 15054; Johnson Electric®: 4882640, MM48826, MM551046, MO551046, MO551046A, MO551046AS; Lester®: 106-027, 5200; Meyer®: 15054; Prestolite®: 46-2001, 46-854, 4602415, 4604160, MGL4005, MGL4105, MKW4007

Part No.	Description
M15054	3 Inch 12V DC Motor (E46, E47)



M15689

Details

- Rotation: Clockwise
- Overall Length: 6.626 Inches
- Shaft Outside Dia: .591 Inches
- Shaft Style: Slotted
- Terminal 1 Size: 5/16-24

The M15689 Replaces - Diamond®: 15689; Fenner®/Fenner Stone®/ SPX®: 2529-AB, 2529-AC, 2869-AB; Iskra®: 11-212-981; Lester®: 10710, 160-848; Meyer®: 15687, 15689, 15727, 2529AB, 2529AC, 2869AB; Prestolite®: 46-4196, MUE6209, MUE6209S

Part No.	Description
M15689	Motor 12V - Single Post - Clockwise



M15841

Details

- Rotation: Clockwise
- Overall Length: 6.614 Inches
- Shaft Style: .25 Slotted
- Terminal 1 Size: 5/16-24
- Terminal 2 Size: 5/16-24

The M15841 Replaces- Buyers®: 1306007; Iskra®: AMJ4739; Lester®: 10758, 160-848A; Meyer®: 15727, 15829, 15841, 15869

Part No.	Description
M15841	4-1/2" 2-Post Motor E58H / E60

SOLENOID



M15370

Part No.	Description
M15370	Motor Solenoid, 12V, 3 Post, Grounded Solenoid, Application: Meyer® & Diamond®

WINCHES

- Commercial Grade Electric Line Pull Winch
- Commonly used on Utility, Government, and Contractor Fleet Vehicles (Pickups & Utility Bodies)
- 4.9 HP series wound motor
- High speed 3-stage planetary gear box provides quick efficient line speed
- Gear ratio 210:1 (5579500), Gear ratio 294:1 (5571200)
- 3/8" X 100 ft Galvanized cable
- Waterproof submersible construction seals and protects electronics and internals for reliable use in all environments
- Free spooling clutch provides quick manual deployment of cable
- Auto-brake
- Power In & Out provides consistent load control



5579500



5571200

Part No.	Description
5579500	Electric Winch 9,500 lb 12V Waterproof
5571200	Electric Winch 12,000 lb 12V Waterproof

REPLACEMENT PARTS



5571002



5571001



5571003



5571006



5571000



5571004



5571005

Part No.	Description
5571002	3/4" Shackle
5571001	Snatch Block 20,000 lbs
5571003	Universal Mounting Channel
5571006	Handheld Controller w/ 30 Ft Cord
5571000	Wireless Winch Remote
5571004	Mounting Channel for Jeep
5571005	Winch Receiver Mount
5571007	25 Ft Winch Auxiliary Wiring Harness

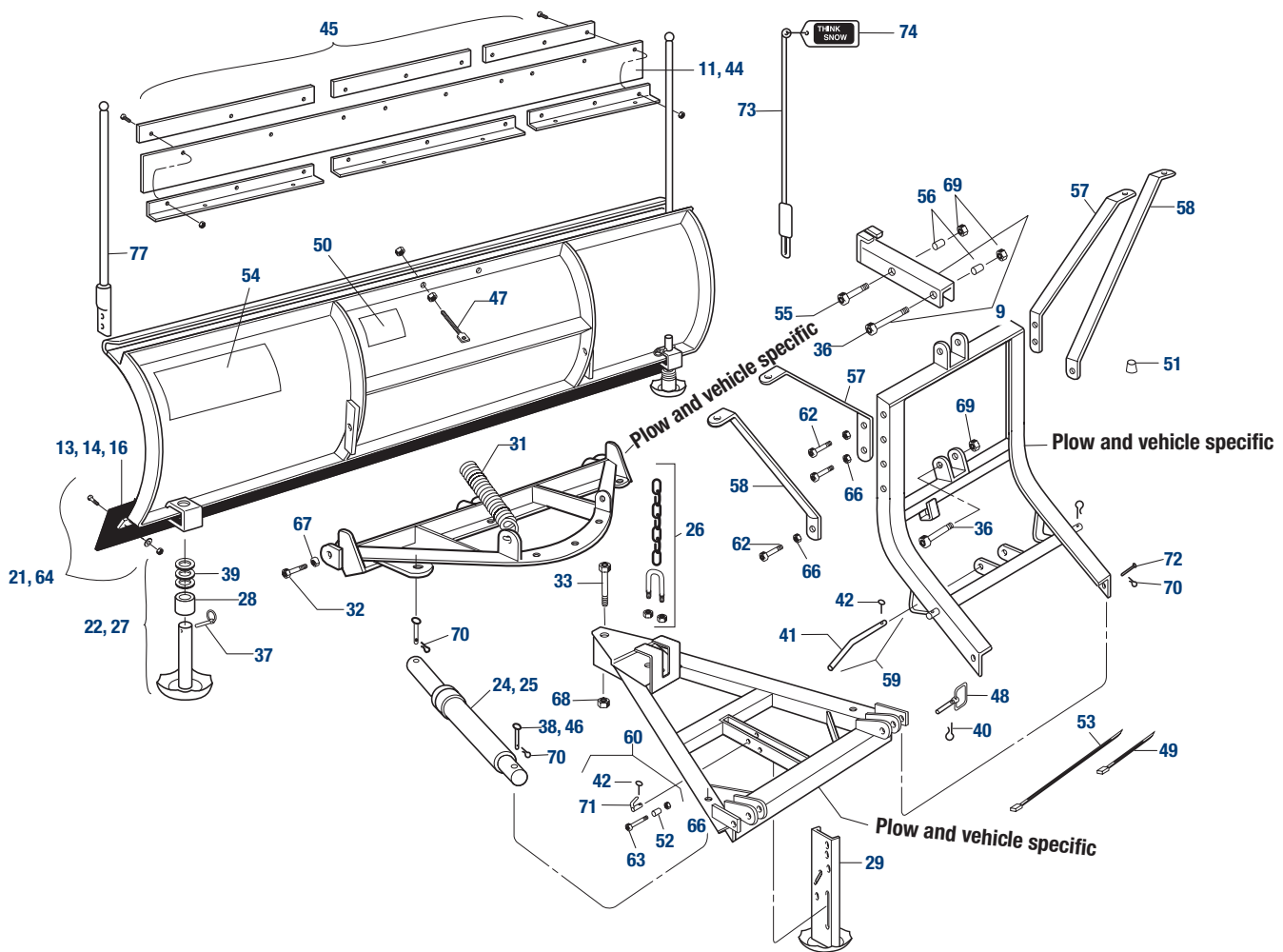


5571007

WESTERN® Snow Plow Replacement Parts - Standard & Pro UniMount®

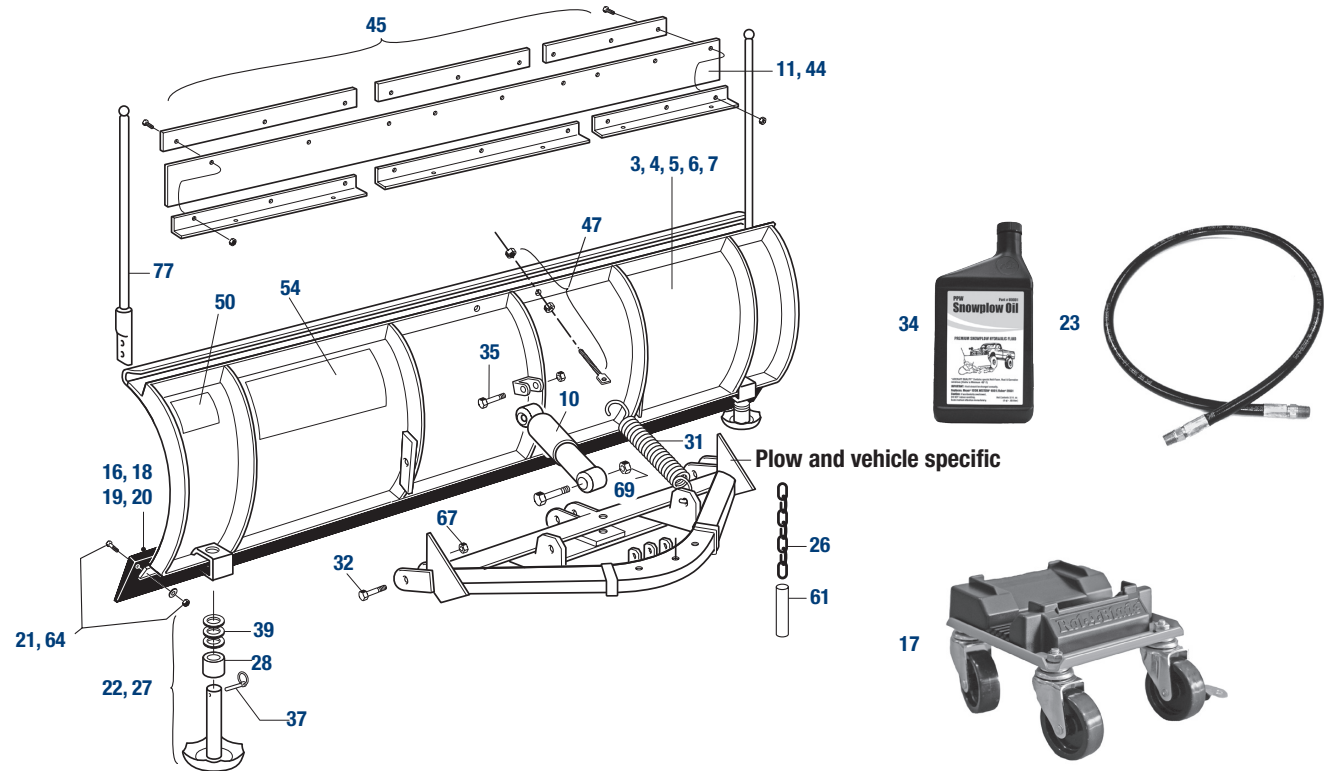
STANDARD UNIMOUNT®

WESTERN®



WESTERN® Snow Plow Replacement Parts - Standard & Pro UniMount®

PRO UNIMOUNT®



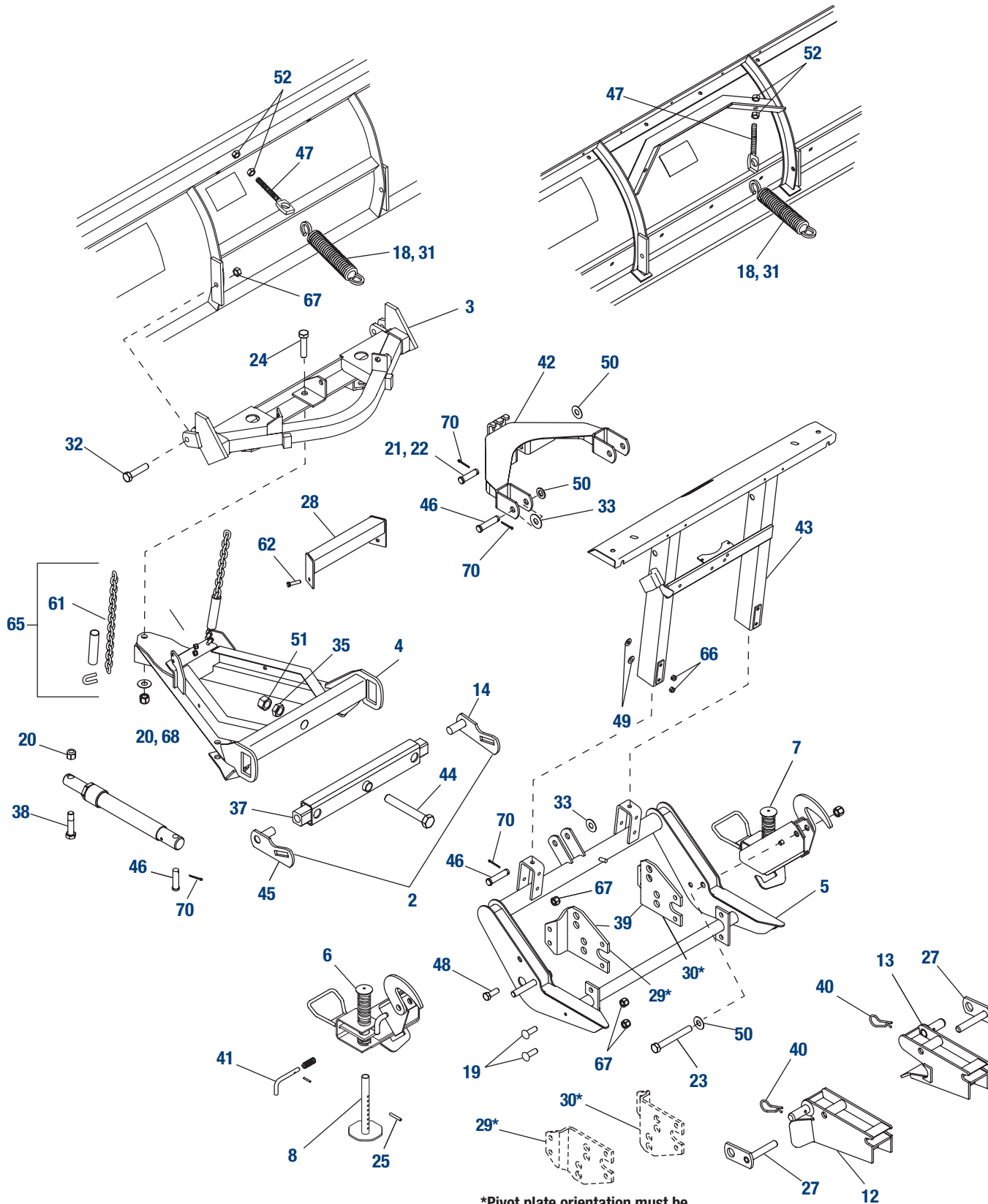
Dia. No.	Part No.	Description
3	1-W60381	OEM - 7.5 Pro Moldboard
4	1-W62400	OEM - Moldboard - Pro 7.5 Poly
5	1-W60390	OEM - Moldboard - Pro 8.0 Steel
6	1-W62450	OEM - Moldboard - Pro 8.0 Poly
7	1-W60308	OEM - 8.5 Pro Blade Assembly
9	1-W49277	OEM - Lift Channel
10	W60338	Shock Absorber
11	1-W62402	OEM - Rubber Deflector Assembly 8.0
13	W49066	6.6 Cut Edge T.P. 3/8 " X 78 Inch
14	W49070	7.0 Cut Edge T.P. 3/8 " X 84 Inch
16	W49088	7.6 Pro Cut Edge 3/8 " X 90 Inch
17	RBC2	RoL-A-Blade Caster Set - 3 pcs
18	W49089	8.0 Pro Cut Edge 1/2 " X 96 Inch
19	W49348	8.6 Cut Edge T.P. 1/2 " X 102 Inch
20	W58817	9.0 Cut Edge T.P. 1/2 " X 108 Inch
21	M08184	Blade Bolt Package 1/2 Inch X 2 Inch - 9 pcs
21	M08184C	Blade Bolt Package 1/2 Inch X 2 Inch - 9 pcs - C-Pk
22	W49067	Standard Shoe Assembly
23	W55020	Pressure Hose 1/4 Inch X 38 Inch
24	W56102	Angling Cylinder 1-1/2 " X 10 Inch
25	W25209	Angling Cylinder 1-1/2 " X 10 Inch
26	1-W49033	Replacement Chain Assembly
27	W49071	Heavy Duty Shoe Assembly
28	W60045	Shoe Spacer 1-1/2 " Long
29	W61353	Uni-Mount Plow Stand
31	M07017	Trip Spring
32	W90132	5/18-11 X 3 " Bolt With Nut
33	W90155	3/4-10 X 2-1/2 " Pivot Bolt
34	U0001	Universal Quart Oil (Replc 15134, 49311 & 28531)
34	U0001-12	Universal Oil - Case (12 Qrts)
36	W90159	3/4-10 X 3-1/2 " Bolt
37	W93010	Linch Pin, 7/16 Inch - Ea
37	W93010H	Linch Pin, 7/16" - 2 Ea, C-Pk
38	1-W90161	OEM - HHCS 3/4-10 X 4 G5
39	W91109	Shoe Washer 1/8 Thick - Ea
39	W91109H	Shoe Washer 1/8 Thick - 5 Ea, C-Pk
40	W91965K	Hairpin Cotter 5/32 "X 3-3/4 Inch
40	W91965K-H	Hairpin Cotter 5/32 "X 3-3/4 "-2Ea, Header Tagged
41	W93033K	Pin 1/2 " X 5.5 Inch
43	W93061	Rivet 3/4 " X 4 Inch

Dia. No.	Part No.	Description
43	W93061H	Header Tagged - Rivet 3/4 " X 4 "
44	M12901	120" Replc Rubber For Snow Deflector
45	M1580	Snow Deflector Fits 78"-90" Plows
46	W93063	Rivet 3/4 "X 3-1/4 Inch
46	W93063H	Rivet 3/4 "X 3-1/4 Inch, Header Tagged
47	M09124	5/8 Inch Eyebolt With 2 Nuts
47	M09124C	5/8 Inch Eyebolt With 2 Nuts - C-Pk
48	W93079	Hitch Pin With Clip 1 " X 3-1/2 Inch
48	W93079C	Hitch Pin W/Clip 1 " X 3-1/2 " , C-Pk
49	1-W59223	OEM - Cable Tie
50	1-W59900	OEM - Label-Information (Warning)
51	1-W61482	OEM - Vinyl Cap
52	1-W61487	OEM - Spacer
53	1-W61536	OEM - Cable Tie - Long
54	1-W61740	OEM - Label - Uni Mount Hook Up Info
55	1-W63207	OEM - HHCS 3/4-10 X 3-1/4 " Gr 5
56	1-W63211	OEM - Spacer
57	1-W63532	OEM - Light Bracket Top
58	1-W63533	OEM - Light Bracket Bottom
59	1-W63585	OEM - Stand Pin Assembly
60	1-W63586	OEM - Lock Pin Assembly
61	1-W65508	OEM - Plastic Tube
62	1-W66456	OEM - Cap Screw
63	1-W90043	OEM - Hex Head Cap Screw 3/8-16 X 2 Inch
64	M08318	Blade Bolt Package 5/8 Inch X 2-1/2 Inch - 12 pcs
66	1-W91333	OEM - Hex Lock Nut 3/8-16
67	1-W91337	OEM - Hex Lock Nut 5/8-11
68	1-W91338	OEM - Hex Lock Nut 3/4-10
69	1-W91339	OEM - Hex Jam Lock Nut
70	1-W91911	OEM - Cotter Pin 5/32 "X 1-1/2 Inch
71	1-W63586	OEM - Lock Pin Assembly
72	1-W93040K	OEM - Clevis Pin
73	RF700	Red Flag Blade Guide - Pair
73	RF700H	Red Flag Bld Guide - Pair, Header Tagged
74	W59694	Think Snow Flag With S Hook
77	W59700	Red Blade Guide - Pair
77	W59700H	Header Tagged - Red Blade Guide - Pair
N/I	1-W59515	OEM - Western Red 12 Oz Aerosol
N/I	W93077	Rivet 1 " X 4 Inch

WESTERN®

WESTERN® Snow Plow Replacement Parts - UltraMount®

WESTERN®



*Pivot plate orientation must be determined using the procedure in the installation instructions

WESTERN® Snow Plow Replacement Parts - UltraMount®

WESTERN®



31



12



34



10



17



99

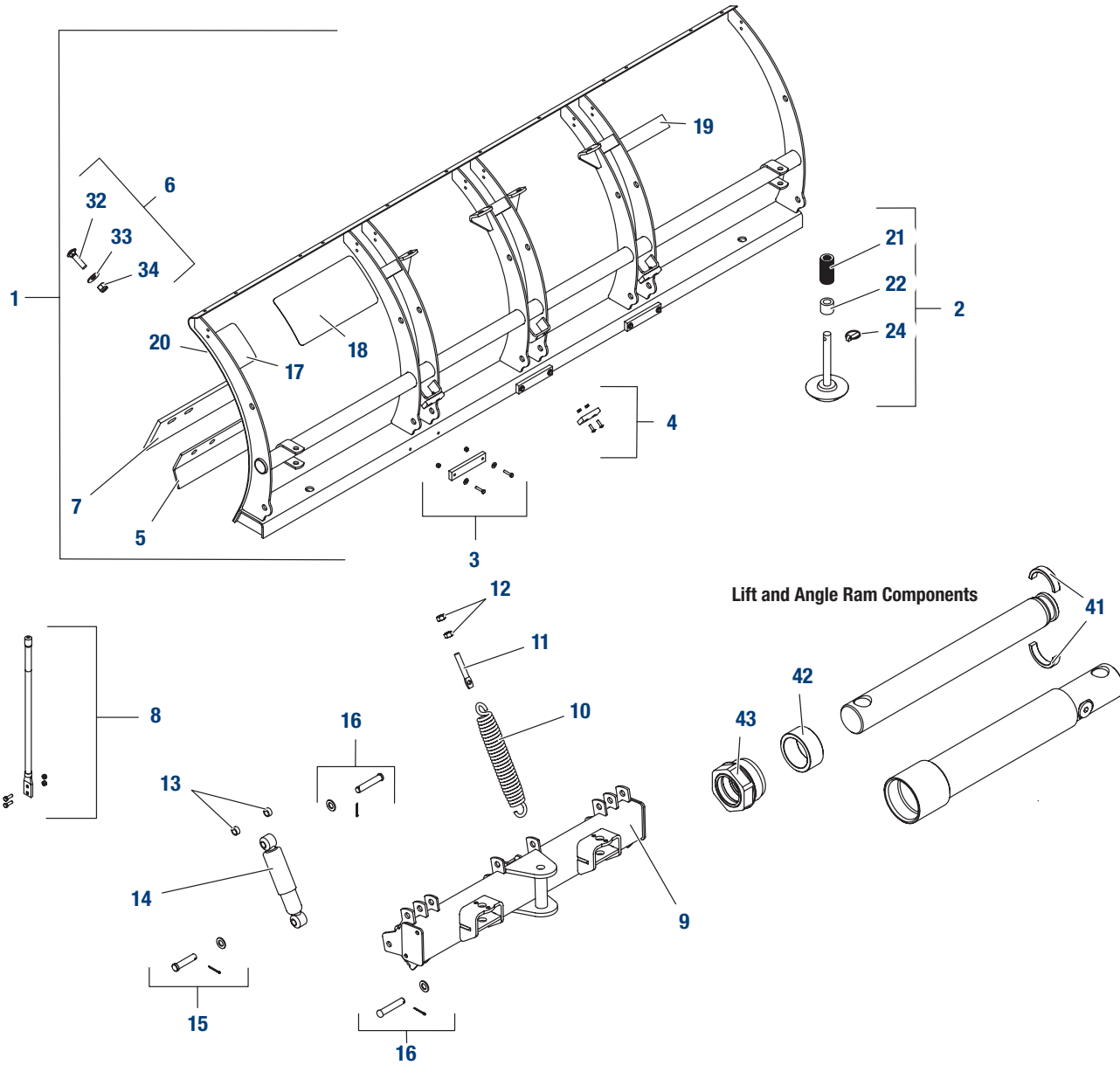
Dia. No.	Part No.	Description
2	1-W66812	OEM - Pivot Pin Kit
3	1-W66887	OEM - Quadrant - Ultra Standard
4	1-W66888	OEM - A- Frame Standard Plow
5	1-W67556-2	OEM - Lower Lift Frame
6	1-W67845	OEM - Stand Assembly Drivers Side
7	1-W67846	OEM - Stand Assembly Passenger Side
8	1-W67847	OEM - Stand Shoe Kit with Roll Pin
10	W60338	Shock Absorber
12	W67858	Receiver Kit Driver Side
13	W67859	Receiver Kit Passenger Side
14	W67977	Pivot Pin Passenger Side
17	RBC2	Rol-A-Blade Caster Set - 3 pcs
18	1-W23039	OEM - Trip Spring
19	1-W5572	OEM - 5/8-11 X 2 "Carriage Bolt Grade 5
20	1-W63574	OEM - Hex Lock Nut
21	1-W64617	OEM - Clevis Pin Kit 3/4 "X 3 inch
22	1-W66428	OEM - Clevis Pin 3/4 "X 2-3/4 Inch
23	W66451	3/4-10 X 6 "Hex Bolt
24	1-W66889	OEM - Nose Plate Kit
25	1-W67635	OEM - Pin Roll 1/4 X 2 Bp
27	1-W67665	OEM - Receiver Pin
28	1-W67676	OEM - Stop Stacking
29	1-W67707	OEM - Pivot A Plate
30	1-W67708	OEM - Plate - Pivot B
31	M07017	Trip Spring
32	W90132	5/18-11 X 3 "Bolt With Nut
33	1-W67727-1	OEM - Washer
34	U0001	Universal Quart Oil (Replc 15134, 49311 & 28531)
34	U0001-12	Universal Oil - Case (12 Qrts)
35	1-W67748	OEM - Hex Jam Nut

Dia. No.	Part No.	Description
37	W67842	Pivot Bar
38	1-W90161	OEM - HHCS 3/4-10 X 4 G5
39	1-W67843	OEM - Pivot Plate Kit
40	W91965K	Hairpin Cotter 5/32 "X 3-3/4 Inch
40	W91965K-H	Hairpin Cotter 5/32 "X 3-3/4 "-2Ea, Header Tagged
41	1-W67844	OEM - Stand Lock Pin Kit
42	1-W67850-2	OEM - Lift Arm Kit
43	1-W67853-1	OEM - Upper Lift Frame Kit
44	1-W67855	OEM - Pivot Bolt Kit - Pro Ultra Plows
45	W67974	Pivot Pin Driver Side
46	W93063	Rivet 3/4 "X 3-1/4 Inch
46	W93063H	Rivet 3/4 "X 3-1/4 Inch, Header Tagged
47	M09124	5/8 Inch Eyebolt With 2 Nuts
47	M09124C	5/8 Inch Eyebolt With 2 Nuts - C-Pk
48	1-W90127	OEM - 5/8-11 X 1-1/2 "Hex Bolt
49	1-W90315	OEM - 3/8 " Flat Washer
50	1-W91147	OEM - 3/4 " Washer
51	1-W91340	OEM - Hex Lock Nut 1-8
52	1-W91416	OEM - 5/8-11 Hex Nut Grade 5
61	1-W65508	OEM - Plastic Tube
62	1-W66456	OEM - Cap Screw
65	1-W49033	OEM - Replacement Chain Assembly
66	1-W91333	OEM - Hex Lock Nut 3/8-16
67	1-W91337	OEM - Hex Lock Nut 5/8-11
68	1-W91338	OEM - Hex Lock Nut 3/4-10
70	1-W91911	OEM - Cotter Pin 5/32 "X 1-1/2 Inch
99	1-W56462	OEM - Hand-Held Control 6-Pin, White Plug
N/I	1-W63575	OEM - Structural Washer

WESTERN® Snow Plow Replacement Parts - Blade PRO PLUS®

BLADE COMPONENTS

WESTERN®

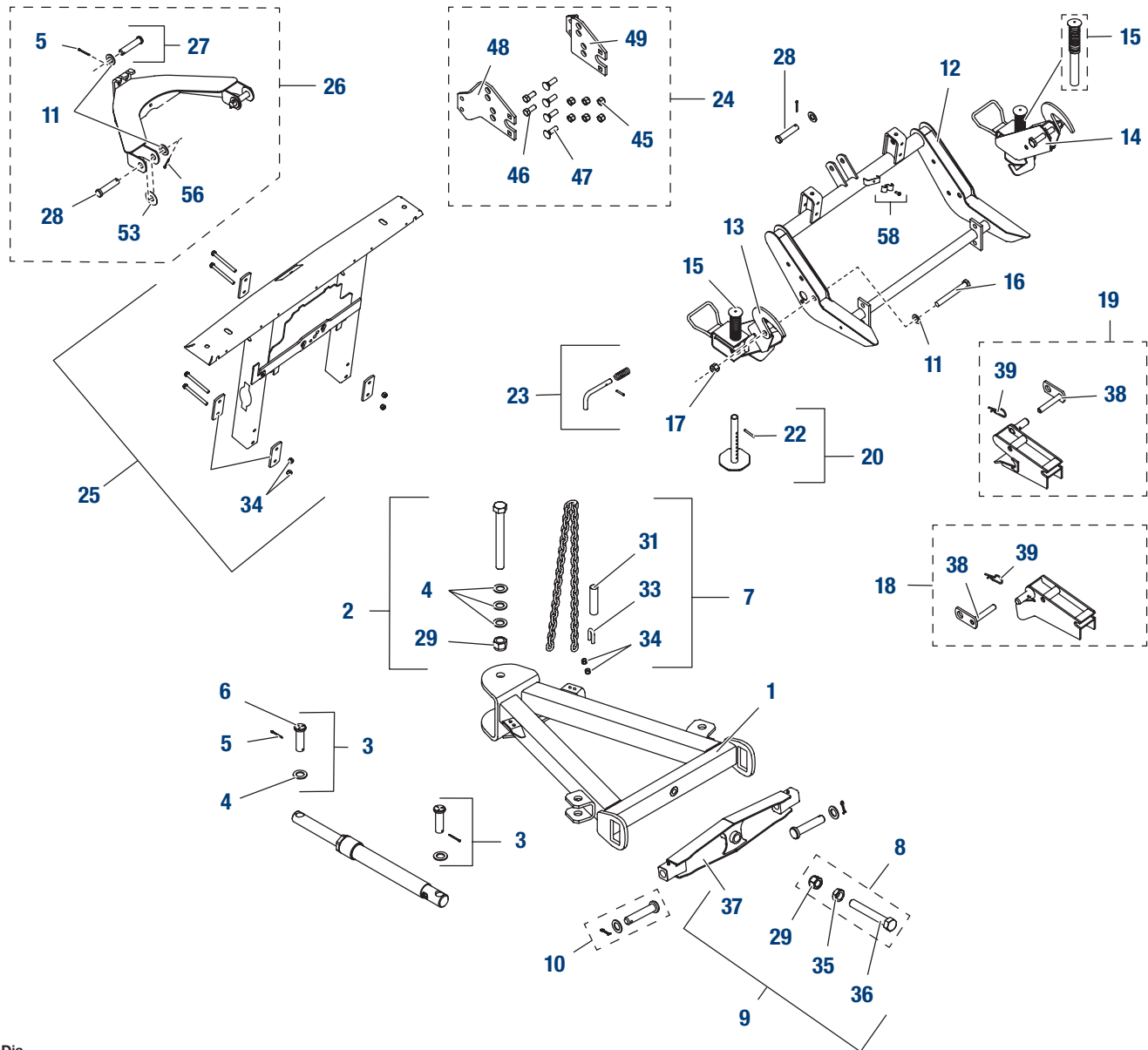


Dia. No.	Part No.	Description
1	1-W66901	OEM - 9.0 Pro Plus Steel Blade Assembly
1	1-W66974	OEM - 8.5 Pro Plus Steel Blade Assembly
1	1-W66980	OEM - Blade Assy, 8 Ft Pro Plus
2	W49071	Heavy Duty Shoe Assembly
3	1-W63977	OEM - Trip Stop Kit
4	1-W63976	OEM - Push Stop Kit
5	W66991	Back Drag, Straight Edge, 9'
5	W66999	Back Drag, Straight Edge, 8-1/2'
5	W66892	Back Drag, Straight Edge, 8'
6	1-W29351	OEM - Bolt Kit, Back Drag Edge Pro Plus
7	W63990	Cutting Edge 1/2" X 6" X 108"
7	W63985	Cutting Edge 1/2" X 6" X 102"
7	W63980	Cutting Edge 1/2" X 6" X 96"
7	W64775	Cutting Edge 1/2" X 6" X 90"
8	W62595	24" Ply Bld Guide w/Reflective Decal -Pair
9	1-W66930-1	OEM - Quadrant Ut Pp
10	1-W23039	OEM - Trip Spring
10	M07017	Trip Spring
11	1-W90490	OEM - 5/8-11X4 Eyebolt G2
12	1-W91416	OEM - 5/8-11 Hex Nut Grade 5

Dia. No.	Part No.	Description
13	1-W63211	OEM - Spacer
14	1-W63979	OEM - Shock Absorber Kit - PP
15	W93063	Rivet 3/4" X 3-1/4" Inch
15	W93063H	Rivet 3/4" X 3-1/4" Inch, Header Tagged
16	1-W95335	OEM - Clevis Pin Kit 3/4" X 4
17	1-W59900	OEM - Label-Information (Warning)
18	1-W67796	OEM - Label - Identification
19	1-W28404	OEM - Label - Identity UltraFinish™
20	1-W28548	OEM - Blade Label Kit Ultramount®
21	1-W91192	OEM - Round Flat Washer
22	W60045	Shoe Spacer 1-1/2" Long
24	W93010	Linch Pin, 7/16" Inch - Ea
24	W93010C	Linch Pin, 7/16" - 2 Ea, C-Pk
32	1-W63986	OEM - 5/8-11X2-1/2 Carriage Bolt G5
33	1-W90576	OEM - 5/8 Hardened Flat Washer
34	1-W91337	OEM - Hex Lock Nut 5/8-11
41	1-W64650	OEM - Split Bearing Kit - 1-1/2"
42	1-W56537	OEM - Spacer
43	1-W48985	OEM - Gland Nut And Seal Assembly, N/S
N/I	W56538K	Lift Cylinder 1-1/2" Inch X 8" Inch
N/I	W64148	Angle Cyl Pro Plus ONLY 1-1/2" X 12"

WESTERN® Snow Plow Replacement Parts - Center Assembly PRO PLUS®

WESTERN®

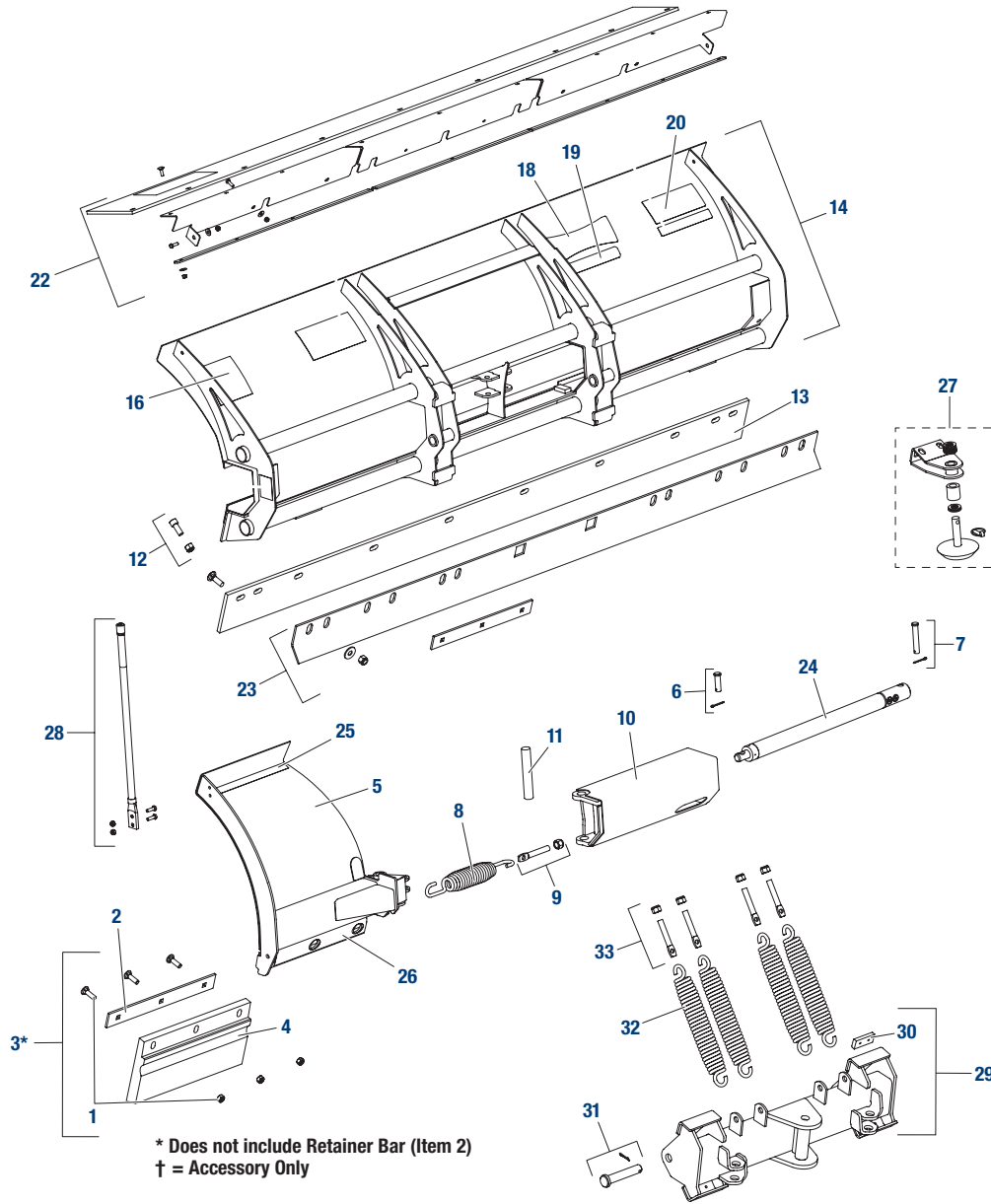


Dia. No.	Part No.	Description
	1	1-W66920 OEM - A-Frame UT PP
	2	1-W63978 OEM - Pivot Bolt Kit - PP
	3	1-W63973 OEM - Ram Pin Kit
	4	1-W91192 OEM - Round Flat Washer
	5	1-W91911 OEM - Cotter Pin 5/32 "X 1-1/2 Inch
	6	1-W93074 OEM - Clevis Pin 1" X 3-1/4" G5
	7	1-W49033 OEM - Replacement Chain Assembly
	8	1-W67855 OEM - Pivot Bolt Kit - Pro Ultra Plows
	9	1-W67842-1 OEM - Pivot Bar Kit
	10	1-W49645 OEM - Pin Kit - Pivot Bar
	11	1-W91147 OEM - 3/4 " Washer
	12	1-W67556-2 OEM - Lower Lift Frame
	13	1-W67845 OEM - Stand Assembly Drivers Side
	14	1-W67846 OEM - Stand Assembly Passenger Side
	15	1-W48523 OEM - Stand Plunger Assembly
	16	W66451 3/4-10 X 6 "Hex Bolt
	17	1-W91338 OEM - Hex Lock Nut 3/4-10
	18	W67858 Receiver Kit Driver Side
	19	W67859 Receiver Kit Passenger Side
	20	1-W67847 OEM - Stand Shoe Kit with Roll Pin
	22	1-W67635 OEM - Pin Roll 1/4 X 2 Bp
	23	1-W67844 OEM - Stand Lock Pin Kit
	24	1-W67843 OEM - Pivot Plate Kit
	25	1-W42351 OEM - Upper Lift Frame Kit

Dia. No.	Part No.	Description
	26	1-W67850-2 OEM - Lift Arm Kit
	27	1-W68740 OEM - 3/4 X 3-1/2 Clevis Pin Kit
	28	W93063 Rivet 3/4 "X 3-1/4 Inch
	28	W93063H Rivet 3/4 "X 3-1/4 Inch, Header Tagged
	29	1-W91340 OEM - Hex Lock Nut 1-8
	31	1-W65508 OEM - Plastic Tube
	34	1-W91333 OEM - Hex Lock Nut 3/8-16
	35	1-W67748 OEM - Hex Jam Nut
	36	1-W67552 OEM - Hex Cap Screw 1-8X 7 G5
	37	W67842 Pivot Bar
	38	1-W67665 OEM - Receiver Pin
	39	W91965K Hairpin Cotter 5/32 "X 3-3/4 Inch
	39	W91965K-H Hairpin Cotter 5/32 "X 3-3/4 " - 2Ea, Header Tagged
	45	1-W91337 OEM - Hex Lock Nut 5/8-11
	46	1-W90127 OEM - 5/8-11 X 1-1/2 "Hex Bolt
	47	1-W5572 OEM - 5/8-11 X 2 "Carriage Bolt Grade 5
	48	1-W67707 OEM - Pivot A Plate
	49	1-W67708 OEM - Plate - Pivot B
	56	1-W91962 OEM - Hairpin Cotter 1/8"
	58	1-W49479-1 OEM - Hose Bracket Kit
	N/I	1-W68314-1 OEM - Cover, Hydraulic

WESTERN® Snow Plow Replacement Parts - Blade WIDE-OUT®

WESTERN®

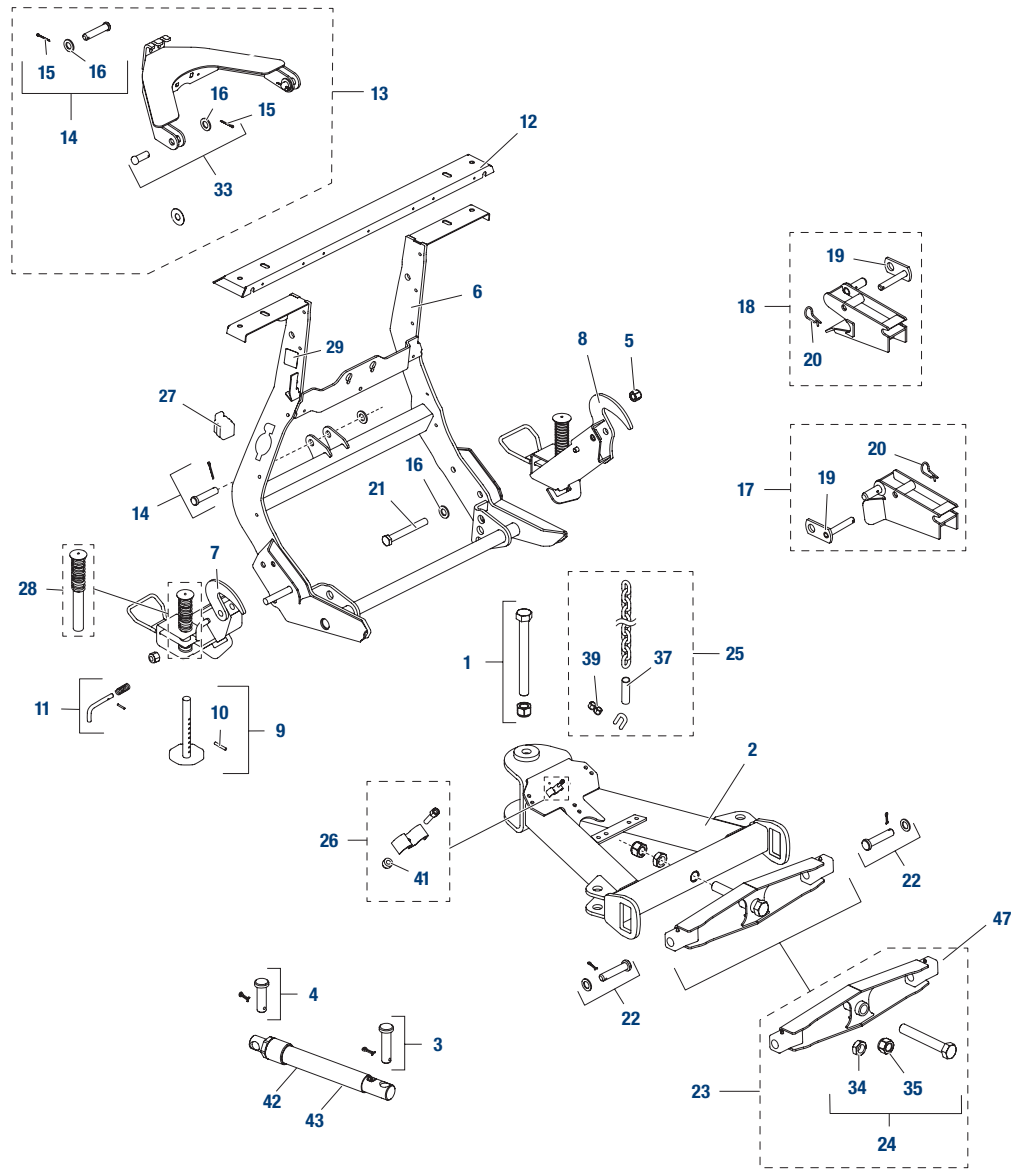


Dia. No.	Part No.	Description
1	1-W50642	OEM - Bolt Kit, Urethane Edge
2	1-W50644	OEM - Urethane Edge Retainer Bar
3	1-W50626	OEM - Kit, Urethane Edge Assy
4	1-W50645	OEM - Urethane Edge
5	1-W50649	OEM - DS Blade Wing, Wide-Out
N/I	1-W50650	OEM - PS Blade Wing, Wide-Out
6	1-W50651	OEM - Pin Kit, 5/8" X 2"
7	1-W50653	OEM - Pin Kit, 5/8" X 3"
8	1-W50654	OEM - Wing Spring
9	1-W66421	OEM - 5/8-11X4 Eyebolt Kit
10	1-W50658	OEM - DS Blade Slidebox, Wide-Out
N/I	1-W50659	OEM - PS Blade Slidebox, Wide-Out
11	1-W50660	OEM - Wing Pin
12	1-W50661	OEM - Stop Bolt Kit
13	W64775	Cutting Edge 1/2" X 6" X 90"
14	1-W50667	OEM - Wide-Out Blade
16	1-W59900	OEM - Label-Information (Warning)
17	1-W43360	OEM - Lattach/Detach Ultra Mnt 2

Dia. No.	Part No.	Description
18	1-W50617	OEM - Label, Wide-Out Id
19	1-W28404	OEM - Label - Identity UltraFinish™
20	1-W44451	OEM - Label-Identity Western 8.31
22	1-W52280	OEM - Rubber Deflector Kit W-O
23	W52278	Back Drag, Wide-Out
24	B60347	Side Box Cyl 1-1/2 Inch X 13-15/16 Inch
N/I	1-WB60373	OEM - Combo Seal Kit, Cylinder B60347
25	1-W50639	OEM - Wear Strip - Wing Top
26	1-W50638	OEM - Wear Strip
27	1-W44277-1	OEM - Shoe Assembly Kit MVP Plus - Pair
N/I	1-W50618	OEM - L Wide-Out Wings
N/I	1-W40986	Label Identity Contractor
28	W62595	24" Ply Bld Guide w/Reflective Decal -Pair
29	1-W50675	OEM - Quadrant Assy, Wide-Out
30	1-W63976	OEM - Push Stop Kit
31	1-W50677	OEM - Pin Kit
32	1-W23039	OEM - Trip Spring
32	M07017	Trip Spring
33	1-W66421	OEM - 5/8-11X4 Eyebolt Kit

WESTERN® Snow Plow Replacement Parts - Center Assembly WIDE-OUT®

WESTERN®

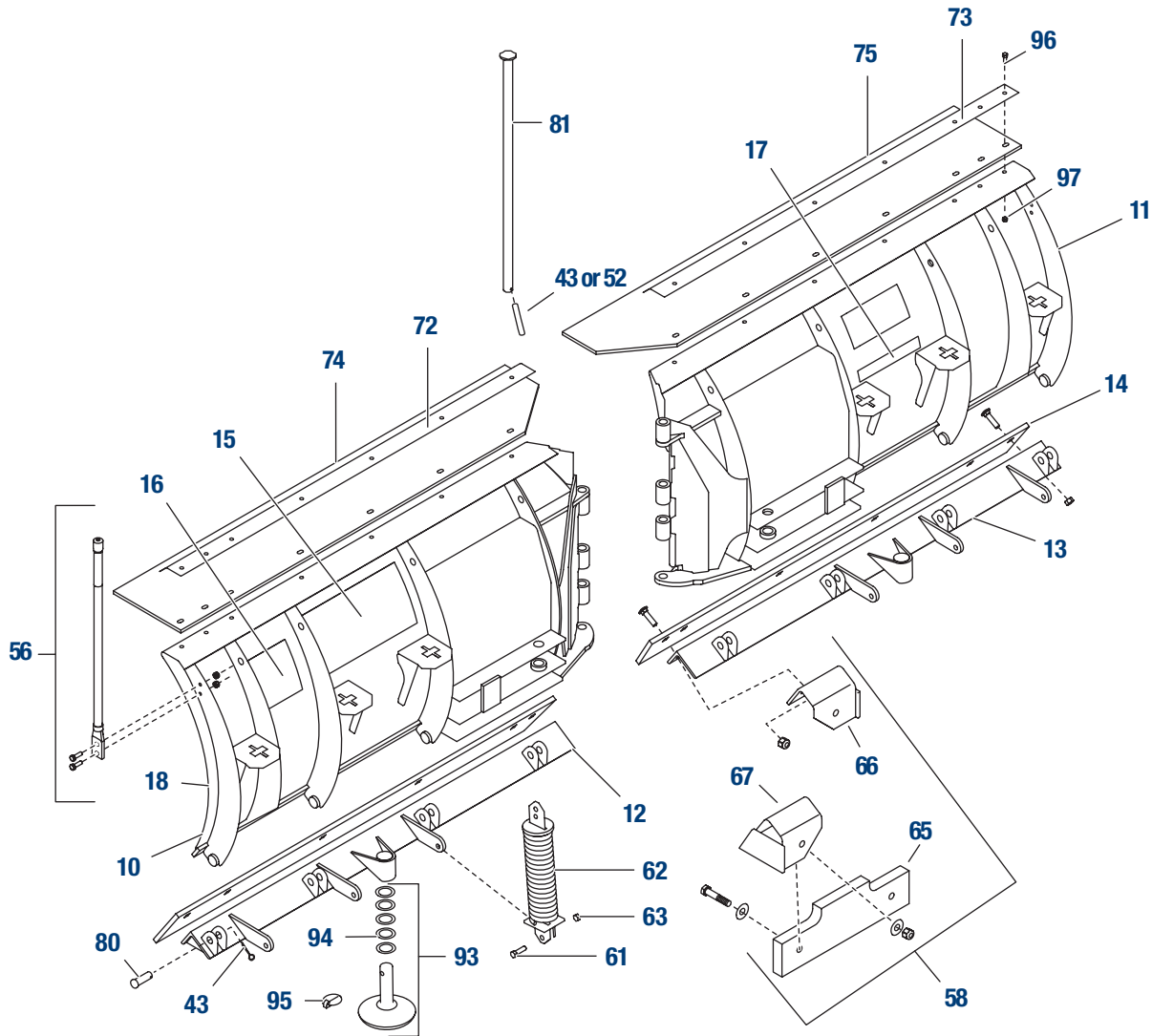


Dia. No.	Part No.	Description
1	1-W50668	OEM - Kit, Pivot Bolt
2	1-W50670	OEM - Kit, A-Frame
3	1-W50672	OEM - Pin Kit
4	1-W50674	OEM - Pin Kit
5	1-W91338	OEM - Hex Lock Nut 3/4-10
6	1-W43301	OEM - Lift Frame HB
7	1-W67845	OEM - Stand Assembly Drivers Side
8	1-W67846	OEM - Stand Assembly Passenger Side
9	1-W67847	OEM - Stand Shoe Kit with Roll Pin
10	1-W67635	OEM - Pin Roll 1/4 X 2 Bp
11	1-W67844	OEM - Stand Lock Pin Kit
12	1-W43302	OEM - Light Channel
13	1-W43304	OEM - Lift Arm Kit
14	1-W68740	OEM - 3/4 X 3-1/2 Clevis Pin Kit
15	1-W91911	OEM - Cotter Pin 5/32" X 1-1/2 Inch
16	1-W91147	OEM - 3/4" Washer
17	1-W42496	OEM - Receiver Kit, DS
18	1-W42497	OEM - Receiver Kit, PS
19	1-W42498	OEM - Receiver Pin
20	W91965K	Hairpin Cotter 5/32" X 3-3/4"

Dia. No.	Part No.	Description
20	W91965K-H	Hairpin Cotter 5/32" X 3-3/4"-2Ea, Header Tagged
21	W66451	3/4-10 X 6" Hex Bolt
22	1-W49645	OEM - Pin Kit - Pivot Bar
23	1-W67842-1	OEM - Pivot Bar Kit
24	1-W67855	OEM - Pivot Bolt Kit - Pro Ultra Plows
25	1-W49033	OEM - Replacement Chain Assembly
26	1-W49479-1	OEM - Hose Bracket Kit
27	1-W61246	OEM - Cable Boot (Uni Mount)
28	1-W48523	OEM - Stand Plunger Assembly
29	1-W69689	Special Order - Identity Security Guard
33	1-W43351	OEM - 3/4 X 2 Pin Kit
34	1-W67748	OEM - Hex Jam Nut
35	1-W91340	OEM - Hex Lock Nut 1-8
37	1-W65508	OEM - Plastic Tube
39	1-W91333	OEM - Hex Lock Nut 3/8-16
41	1-W91331	OEM - 1/4-20 Hex Locknut GB
42	W56538K	Lift Cylinder 1-1/2 Inch X 8 Inch
43	1-W49460	OEM - Ram Assembly 1-1/2 X 10
44	1-W48985	OEM - Gland Nut & Seal Assembly, N/S
45	1-W56537	OEM - Spacer
46	1-W64650	OEM - Split Bearing Kit - 1-1/2"
47	W67842	Pivot Bar

WESTERN® Snow Plow Replacement Parts - Blade MVP®

WESTERN®

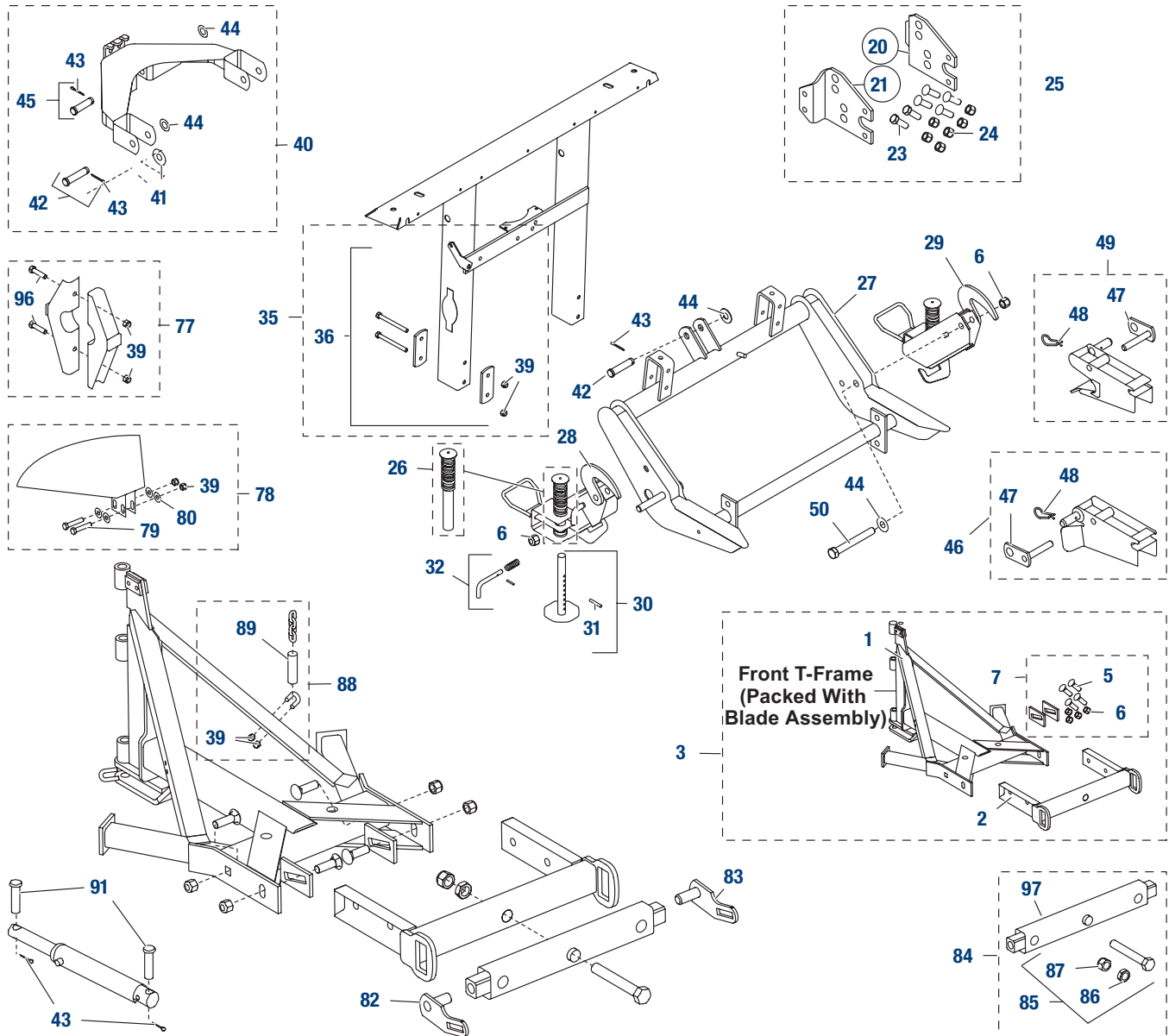


Dia. No.	Part No.	Description
	10	1-W63956 OEM - MVP Blade Half - Driver Side 8-1/2' (w/ Base Angle)
	10	1-W63958 OEM - MVP Blade Half - Driver Side 9-1/2'
	11	1-W63957 OEM - MVP Blade Half - Passenger Side 8-1/2'
	11	1-W63959 OEM - MVP Blade Half - Passenger Side 9-1/2'
	12	1-W64029 OEM - Base Angle - Driver Side 8-1/2'
	12	1-W63960 OEM - Base Angle - Driver Side 9-1/2'
	13	1-W64030 OEM - Base Angle - Passenger Side 8-1/2'
	13	1-W63961 OEM - Base Angle - Passenger Side 9-1/2'
	14	W28407 8.5 V Cutting Edge Half 1/2" X 6" X 51"
	14	W63678 Western 9.5 MVP Cutting Edge Half, 1/2" Thick
	14	1-W28409 OEM - Cutting Edge Kit / Center Flap Kit 8.5 - 1/2" Thick
	14	1-W66420 OEM - 9.5 Cutting Edge Kit / Center Flap Kit
	15	1-W67796 OEM - Label - Identification
	16	1-W59900 OEM - Label-Information (Warning)
	17	1-W28404 OEM - Label - Identity UltraFinish
	18	1-W40986 Label Identity Contractor
	43	1-W91911 OEM - Cotter Pin 5/32" X 1-1/2"
	52	1-W26463 OEM - 1/4X2 Slotted Spring Pin
	56	W62595 Western 24" Poly Blade Guide w/ Reflective Decal - Pair
	58	W62636 Western Center Flap Kit w/ Hardware, MVP Plow

Dia. No.	Part No.	Description
	61	1-W91000 Special Order - Bolt 1/2" X 1-5/8"
	62	1-W21452 OEM - Removable Spring Assembly
	63	1-W90353 OEM - 7/16-14 Hex Locknut Grade 8
	65	W63508 Rubber Cutting Edge, MVP Plow
	66	W63509 Western Passenger Side Flap Mounting Plate, MVP Plow
	67	W63510 Western Driver Side Flap Mounting Plate, MVP Plow
	72	1-W21618 OEM - V Plow Bolting Bar
	73	1-W26984 OEM - V Plow Bolting Bar - Passenger Side
	74	1-W62614 OEM - Rubber Deflector With Logo - Driver Side 8-1/2'
	74	1-W63664 OEM - Rubber Deflector With Logo - Driver Side 9-1/2'
	75	1-W62613 OEM - Rubber Deflector - Passenger Side 8-1/2'
	75	1-W26586 OEM - Rubber Deflector - Passenger Side 9-1/2'
	80	1-W5523 OEM - 3/4" X 2-3/16" Machine Pin
	81	1-W62638 OEM - Pivot Pin Kit
	93	W62637 MVP Disc Shoe Assembly
	94	1-W91192 OEM - Round Flat Washer
	95	W93010 Linch Pin, 7/16" - Ea
	95	W93010H Linch Pin, 7/16" - 2 Each, C-Pk
	96	1-W68494 OEM - 5/16-18 X 1" Hex Cap
	97	1-W91332 OEM - 5/16-18 Hex Locknut
	N/1	1-W63740 OEM - Weldment Front T-Frame
	N/1	1-W28548 OEM - Blade Label Kit UltraMount®

WESTERN® Snow Plow Replacement Parts - Blade MVP®

WESTERN®

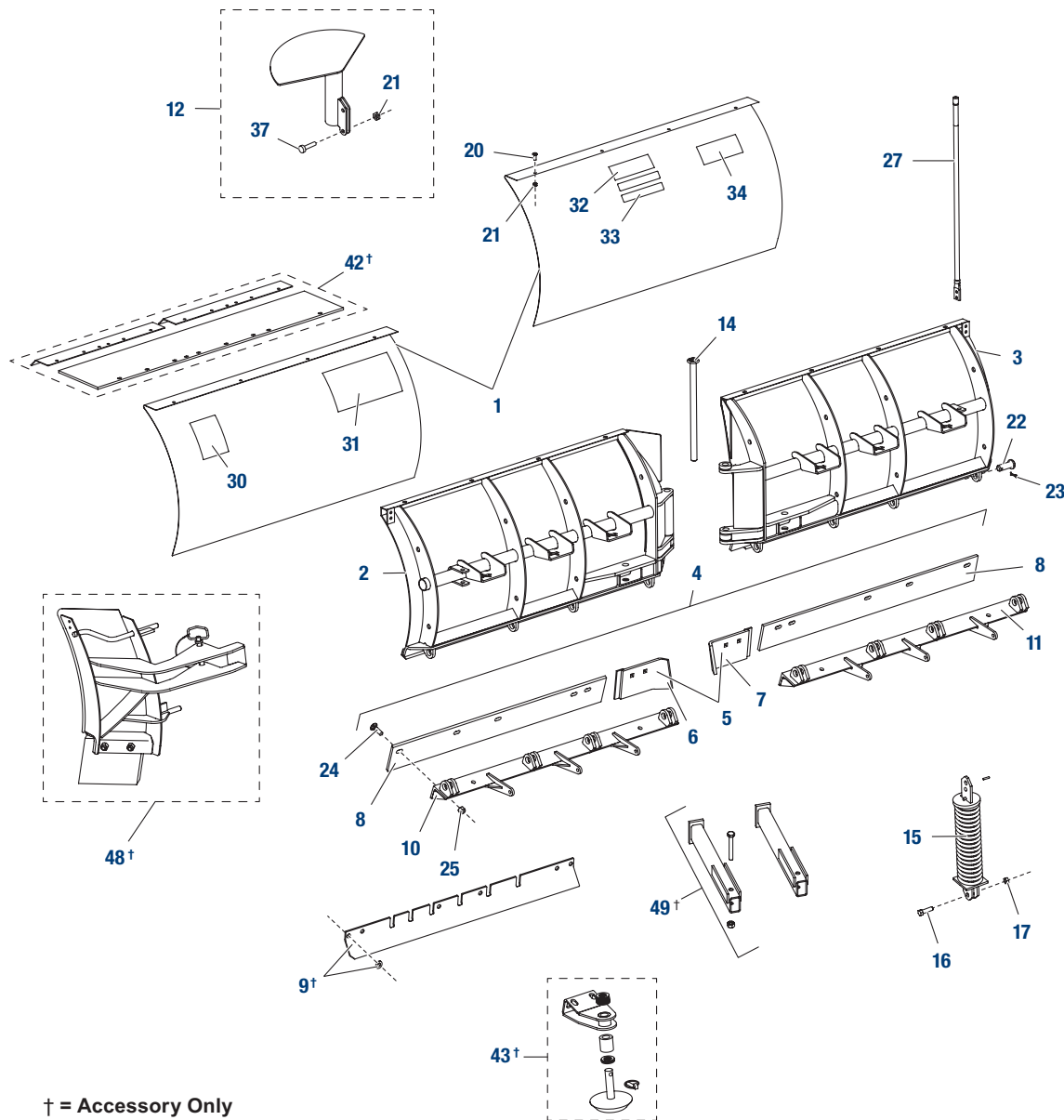


Dia. No.	Part No.	Description
	1	1-W63740 OEM - Weldment Front T-Frame
	2	1-W63745 OEM - Weldment Rear T-Frame
	3	1-W64036 OEM - T-Frame Service Kit
	5	1-W63913 OEM - 3/4-10 X 2-1/2" Carriage Bolt
	6	1-W91338 OEM - Hex Lock Nut 3/4-10
	7	1-W64037 OEM - Locking Plate Kit
	20	1-W67707 OEM - Pivot A Plate
	21	1-W67708 OEM - Plate - Pivot B
	23	1-W90127 OEM - 5/8-11 X 1-1/2" Hex Bolt
	24	1-W91337 OEM - Hex Lock Nut 5/8-11
	25	1-W67843 OEM - Pivot Plate Kit
	26	1-W48523 OEM - Stand Plunger Assembly
	27	1-W67556-2 OEM - Lower Lift Frame
	28	1-W67845 OEM - Stand Assembly Drivers Side
	29	1-W67846 OEM - Stand Assembly Passenger Side
	30	1-W67847 OEM - Stand Shoe Kit with Roll Pin
	31	1-W67635 OEM - Pin Roll 1/4 X 2 Bp
	32	1-W67844 OEM - Stand Lock Pin Kit
	35	1-W67853-1 OEM - Upper Lift Frame Kit
	36	1-W67939-1 OEM - Bolt Bag Service Kit (67853-1)
	39	1-W91333 OEM - Hex Lock Nut 3/8-16
	40	1-W67850-2 OEM - Lift Arm Kit
	41	1-W67727-1 OEM - Washer
	42	W93063 Rivet 3/4" X 3-1/4"

Dia. No.	Part No.	Description
	42	W93063H Header Tagged - Rivet 3/4" X 3-1/4"
	43	1-W91911 OEM - Cotter Pin 5/32" X 1-1/2"
	44	1-W91147 OEM - 3/4" Washer
	45	1-W64617 OEM - Clevis Pin Kit 3/4" X 3"
	46	W67858 Receiver Kit Driver Side
	47	1-W67665 OEM - Receiver Pin
	48	W91965K Hairpin Cotter 5/32" X 3-3/4"
	48	W91965K-H Hairpin Cotter 5/32" X 3-3/4" - 2 Ea, Header Tagged
	49	W67859 Receiver Kit Passenger Side
	50	W66451 3/4-10 X 6" Hex Bolt
	77	1-W64031 OEM - Stacking Stop Kit
	78	1-W63952 OEM - Center Deflector Assembly
	79	1-W90043 OEM - Hex Head Cap Screw 3/8-16 X 2"
	80	1-W90315 OEM - 3/8" Flat Washer
	82	W67974 Pivot Pin Driver Side
	83	W67977 Pivot Pin Passenger Side
	84	1-W67842-1 OEM - Pivot Bar Kit
	85	1-W67855 OEM - Pivot Bolt Kit - Pro Ultra Plows
	86	1-W67748 OEM - Hex Jam Nut
	87	1-W91340 OEM - Hex Lock Nut 1-8
	88	1-W49033 OEM - Replacement Chain Assembly
	89	1-W65508 OEM - Plastic Tube
	91	W93077 Rivet 1" X 4"
	96	1-W66439 OEM - Hex Cap Screw 3/8-16X1-1/2 G5
	97	W67842 Pivot Bar

WESTERN® Snow Plow Replacement Parts - MVP Plus™ Blade

WESTERN®



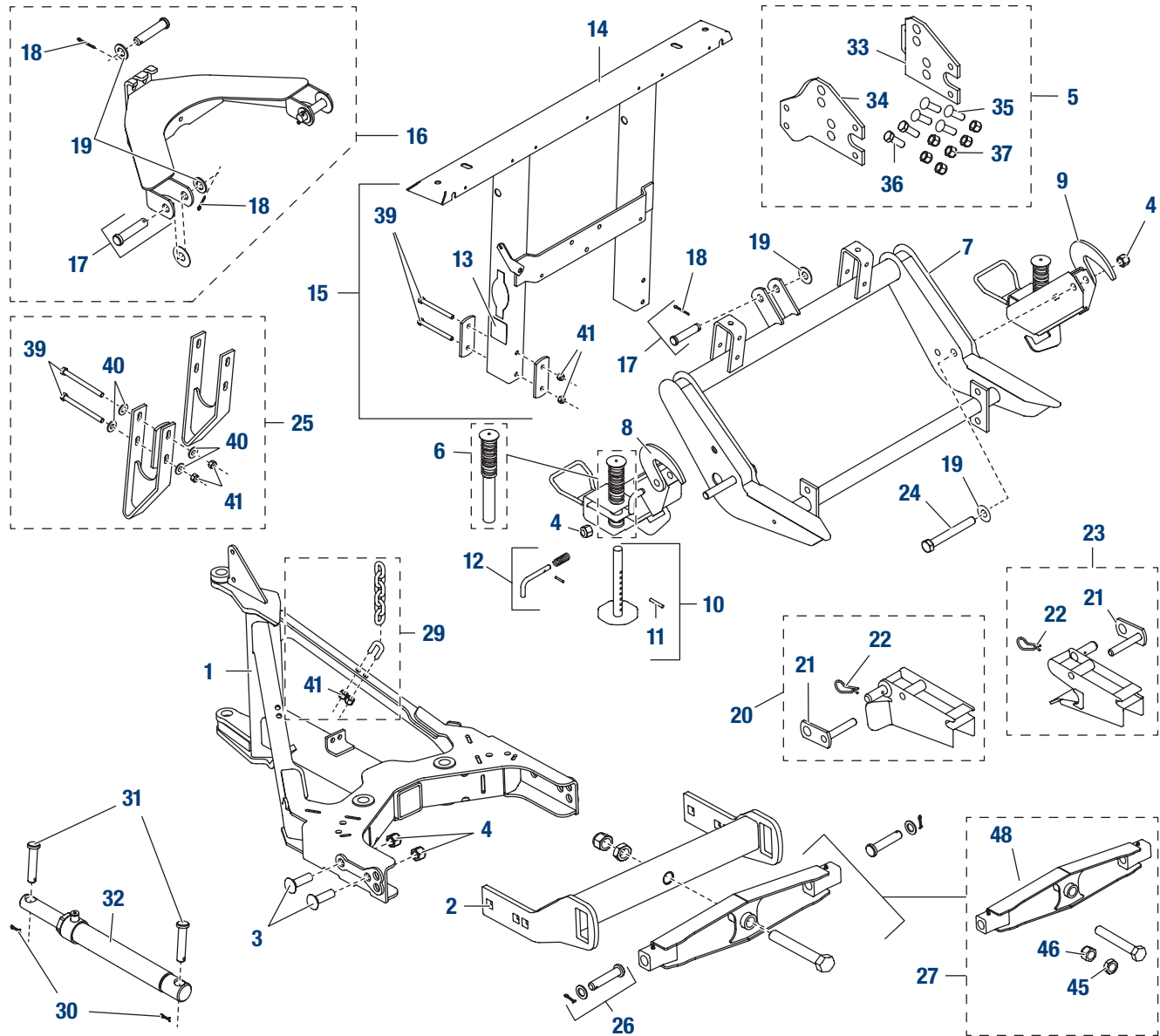
† = Accessory Only

Dia. No.	Part No.	Description
	1	1-W44715 OEM - Moldboard Kit MVP Plus 7.5 Steel
	1	1-W44718 OEM - Moldboard Kit MVP Plus 7.5 Poly
	1	1-W44716 OEM - Moldboard Kit MVP Plus 8.5 Steel
	1	1-W44719 OEM - Moldboard Kit MVP Plus 8.5 Poly
	1	1-W44717 OEM - Moldboard Kit MVP Plus 9.5 Steel
	1	1-W44720 OEM - Moldboard Kit MVP Plus 9.5 Poly
	2	1-W44730 OEM - Blade Frame MVP Plus 7.5 Driver Side
	2	1-W44731 OEM - Blade Frame MVP Plus 8.5 Driver Side
	2	1-W44732 OEM - Blade Frame MVP Plus 9.5 Driver Side
	3	1-W44733 OEM - Blade Frame MVP Plus 7.5 Passenger Side
	3	1-W44734 OEM - Blade Frame MVP Plus 8.5 Passenger Side
	3	1-W44735 OEM - Blade Frame MVP
	4	1-W44284-2 OEM - Cutting Edge Kit MVP Plus 7.5 1/2" Thick
	4	1-W44285-2 OEM - Cutting Edge Kit MVP Plus 8.5 1/2" Thick (2pc 44997, 1pc 29675-1)
	4	1-W44567-2 OEM - 1/2" Thick Cutting Edge Kit MVP Plus 9.5
	5	1-W44894-1 OEM - Center Cutting Edge Kit
	6	1-W44891-1 OEM - Center Cutting Edge Weldment Driver Side
	7	1-W44890-1 OEM - Center Cutting Edge Weldment Passenger Side
	8	W44996-1 Western 7.5 MVP Plus Cutting Edge Half, 1/2" Thick
	8	W44997 Western 8.5 MVP Plus Cutting Edge Half, 1/2" Thick
	8	W44898 Western 9.5 MVP Plus Cutting Edge Half, 1/2" Thick
	9	W44281-2 Back Drag, V-Plow, 7-1/2' (Set no Hardware)
	9	W44282-2 Back Drag, V-Plow, 8-1/2' (Set no Hardware)
	9	W44283-2 Back Drag, V-Plow, 9-1/2' (Set no Hardware)
	10	1-W44142 OEM - Base Angle MVP Plus 7.5 Driver Side
	10	1-W44144 OEM - Base Angle MVP Plus 8.5 Driver Side
	10	1-W44146 OEM - Base Angle MVP Plus 9.5 Driver Side
	11	1-W44143 OEM - Base Angle MVP Plus 7.5 Passenger Side

Dia. No.	Part No.	Description
	11	1-W44145 OEM - Base Angle MVP Plus 8.5 Passenger Side
	11	1-W44147 OEM - Base Angle MVP Plus 9.5 Passenger Side
	12	1-W44570 OEM - Center Deflector Kit, MVP Plus 7.5 - 8.5
	12	1-W44571 OEM - Center Deflector Kit MVP Plus 9.5
	14	1-W44028 OEM - Pivot Pin MVP Plus
	15	1-W21452 OEM - Removable Spring Assembly
	16	1-W91000 Special Order - Bolt 1/2" X 1-5/8"
	17	1-W90353 OEM - 7/16-14 Hex Locknut Grade 8
	20	1-W98043 OEM - 3/8-16 X 1" Button Cap Screw
	21	1-W91333 OEM - Hex Lock Nut 3/8-16
	22	1-W27227 OEM - Pin Clevis 1" X 2.75"
	23	1-W90607 OEM - Cotter Pin 1/4" X 1-3/4"
	24	1-W5572 OEM - 5/8-11 X 2" Carriage Bolt Grade 5
	25	1-W91337 OEM - Hex Lock Nut 5/8-11
	27	W62595 Western 24" Poly Blade Guide w/ Reflective Decal - Pair
	30	1-W59900 OEM - Label-Information (Warning)
	31	1-W67796 OEM - Label - Identification
	32	1-W44453 OEM - Label Identity MVP Plus
	33	1-W28404 OEM - Label - Identity UltraFinish
	34	1-W44451 OEM - Label - Identity Western 8.31
	37	1-W66456 OEM - Cap Screw
	42	1-W44280 OEM - Deflector Kit MVP Plus (7.5 - 8.5 & 9.5)
	43	1-W44277-1 OEM - Shoe Assembly Kit MVP Plus - Pair
	48	1-W44510-1 OEM - Wing Extension Kit, MVP Plus 8.5 - 9.5
	49	1-W44473 OEM - Blade Stop Kit
	N/I	1-W40986 Label Identity Contractor
	N/I	1-W44763 OEM - Bolt Bag V-Plow Cut Edge
	N/I	1-W44674 OEM - Decal Kit Complete Blade MVP

WESTERN® Snow Plow Replacement Parts - MVP Plus™ Center Assembly

WESTERN®

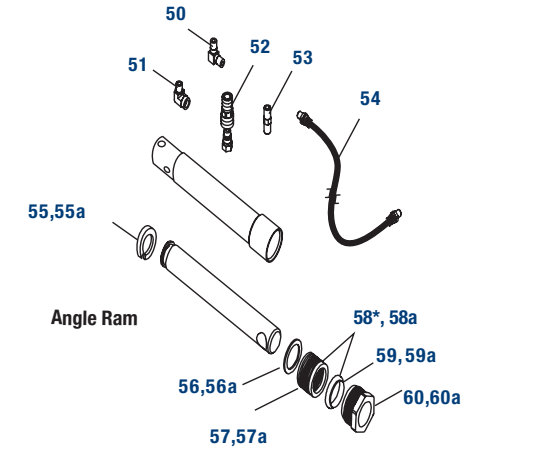
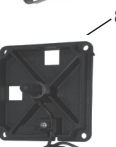
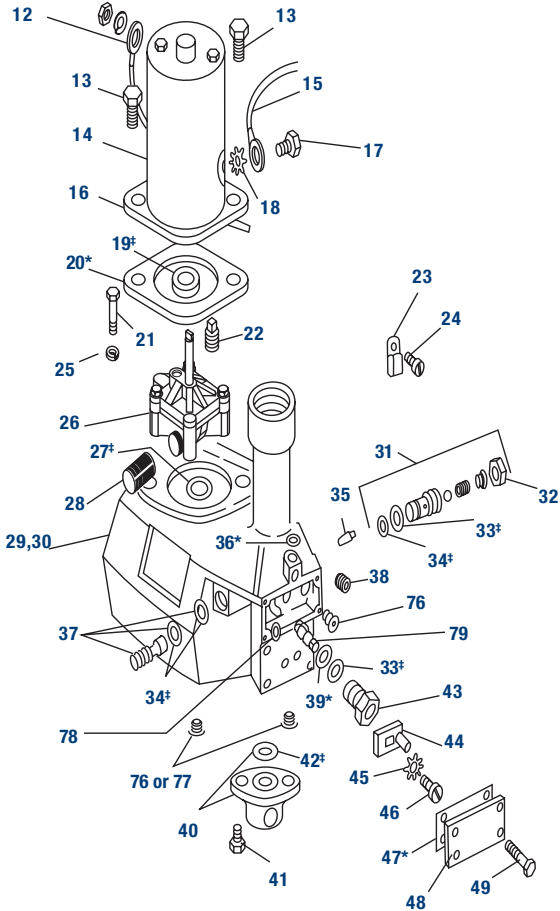
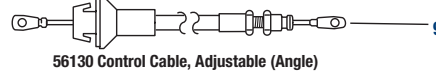
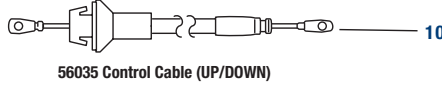
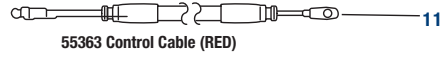


Dia. No. Part No.	Description
1	1-W44546-2 OEM - T-Frame Service Kit
2	1-W44557-2 OEM - Push Assembly Service Kit MVP Plus
3	1-W63913 OEM - 3/4-10 X 2-1/2" Carriage Bolt
N/I	1-W90459 OEM - Hex Cap Screw 3/4-10X2-1/2 G5
4	1-W91338 OEM - Hex Lock Nut 3/4-10
5	1-W67843 OEM - Pivot Plate Kit
6	1-W48523 OEM - Stand Plunger Assembly
7	1-W67556-2 OEM - Lower Lift Frame
8	1-W67845 OEM - Stand Assembly Drivers Side
9	1-W67846 OEM - Stand Assembly Passenger Side
10	1-W67847 OEM - Stand Shoe Kit with Roll Pin
11	1-W67635 OEM - Pin Roll 1/4 X 2 Bp
12	1-W67844 OEM - Stand Lock Pin Kit
13	1-W69689 Special Order - Identity Security Guard
14	1-W44545-2 OEM - Upper Lift Frame
15	1-W44729 OEM - Upper Lift Frame Fastener Kit
16	1-W67850-2 OEM - Lift Arm Kit
17	W93063 Rivet 3/4" X 3-1/4"
17	W93063H Header Tagged - Rivet 3/4" X 3-1/4"
18	1-W91911 OEM - Cotter Pin 5/32" X 1-1/2"
19	1-W91147 OEM - 3/4" Washer
20	W67858 Receiver Kit Driver Side
21	1-W67665 OEM - Receiver Pin
22	W91965K Hairpin Cotter 5/32" X 3-3/4"

Dia. No. Part No.	Description
22	W91965K-H Hairpin Cotter 5/32" X 3-3/4" - 2 Ea, Header Tagged
23	W67859 Receiver Kit Passenger Side
24	1-W66451 OEM - 3/4-10 X 6" Hex Bolt
25	1-W44727 OEM - Stacking Stop Kit MVP Plus
26	1-W49645 OEM - Pin Kit - Pivot Bar
27	1-W67842-1 OEM - Pivot Bar Kit
28	1-W67855 OEM - Pivot Bolt Kit - Pro Ultra Plows
29	1-W49033 OEM - Replacement Chain Assembly
30	1-W90601 OEM - Cotter Pin 1/4" X 1-1/2"
31	1-W22260 OEM - Cylinder Pin 1" X 4-3/4"
32	W56538K Lift Cylinder 1-1/2" X 8"
32	1-W44341 OEM - Ram Assy 1-3/4 X 11 Da
33	1-W67707 OEM - Pivot A Plate
34	1-W67708 OEM - Plate - Pivot B
35	1-W5572 OEM - 5/8-11 X 2" Carriage Bolt Grade 5
36	1-W90127 OEM - 5/8-11 X 1-1/2" Hex Bolt
37	1-W91337 OEM - Hex Lock Nut 5/8-11
39	1-W44413 OEM - Hex Cap Screw 3/8-16 X 4-1/2" Grade 5
40	1-W90315 OEM - 3/8" Flat Washer
41	1-W91333 OEM - Hex Lock Nut 3/8-16
45	1-W67748 OEM - Hex Jam Nut
46	1-W91340 OEM - Hex Lock Nut 1-8
48	W67842 Pivot Bar

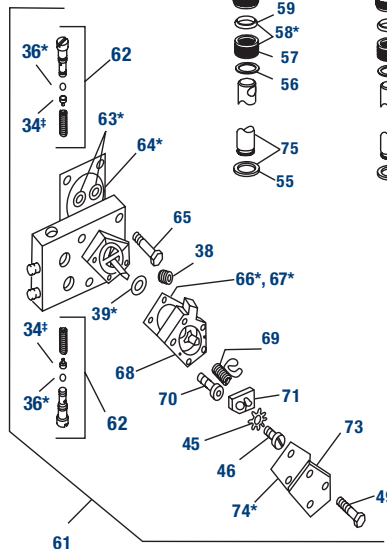
WESTERN® Snow Plow Replacement Parts - Cable Pump UniMount®

WESTERN®



Lift Ram

1-1/2" Extra Duty	2" Heavy Duty
60	60a
59	59a
58*	58a
57	57a
56	56a
75	75a
55	55a



U0001



1-W49311

WESTERN® Snow Plow Replacement Parts - Cable Pump UniMount®

Dia.	No. Part No.	Description
-	1-W56139	Western Hydraulic Unit 1-1/2 Inch Extra Duty
1	U0001	Universal Oil - Quart (Replaces 15134, 49311 & 28531)
1	U0001-12	Universal Oil - Case, 12 Qrts (Replaces 15134, 49311 & 28531)
1	1-W49311	OEM - Quart Western Hydraulic Fluid
2	1-W56018	OEM - Joy Stick Control Assembly With Cables
3	1-W49016	OEM - Joy Stick Knob & Lever Assembly
4	1-W49021	OEM - Joy Stick Body With Label
5	W56022	Western Center Spring for 1-W56018
6	1-W56023	OEM - Joy Stick Spring Retainer
7	1-W49015K	OEM - Platen Assembly Cable Control Kit
8	1-W56028	OEM - Joy Stick Bottom Cover Assembly
9	W56130	Adjustable Control Cable Angle 9 Foot Black
9	W56130H	Adjustable Control Cable Angle 9 Foot Black - Header Tagged
10	W56035	Control Cable Up / Down 9 Foot Black
10	W56035H	Control Cable Up / Down 9 Foot Black - Header Tagged
11	W55363	Control Cable 9 Foot Red Old Style
12	W25635	Battery Cable 60" Red
13	1-W90066	OEM - Hex Head Cap Screw 7/16-14 X 1-1/4" Grade 5
14	W56133	4-1/2" Motor - Cone Shaped
15	1-W55984	OEM - Ground Cable 60" Black
16	1-W49084	OEM - Motor Flange Brg & Seal
17	1-W90088	OEM - Hex Head Cap Screw 5/16-18 X 1/2" SS
18	1-W91263	OEM - Lockwasher 5/16 External SS
21	1-W90073	OEM - Hex Head Cap Screw 5/16-18 X 2-1/4" Grade 5
22	1-W92079	OEM - Plug Square 3/8"
23	1-W55381	OEM - Cable Clamp
24	1-W90388	OEM - 10-16X1 Tapping Screw
25	1-W90311	OEM - Flatwasher 1/4 Type A Wide
26	W49211	P I E - S H A P E D Hydraulic Pump Kit
28	W56185	Suction Filter For Pump
28	W56185H	Suction Filter For Pump - Header Tagged
29	1-W55946	OEM - Service Housing Cable Pump 1-1/2" Rod
30	1-W55945	OEM - Service Housing Kit 2"
31	1-W55568K	OEM - Check Valve Assembly
32	1-W55569	OEM - 5/8-18 Hex Jam Nut Special
35	1-W55570	OEM - Shuttle
37	1-W49064K	OEM - Lift Valve With-2 #25730 O-Ring
38	1-W90600K	OEM - Cable Retainer Screws -5 pc Package
40	W25968	Base Lug With O-Ring
41	1-W93166	OEM - 5/16-18X1-1/4 Tapping Screw

Dia.	No. Part No.	Description
43	1-W55572	OEM - Hub Nut
44	1-W55573	OEM - Valve Lever Assembly
45	1-W91259	OEM - Lockwasher #6 External
46	1-W90598	OEM - 6-32X1/4 Machine Screw
48	1-W55958	OEM - Valve Enclosure Cover, 3-Way
49	1-W90666	OEM - Slotted Hex Head Screw #10-24 X 5/8"
50	W92278	Male Elbow 1/4" X 90 Degree
51	W92210	Street Elbow - Small
52	1-W25232K	OEM - Quick Coupler
53	W25519	Hex Nipple 1/4"
54	W55020	Pressure Hose 1/4 Inch X 38 Inch
55	1-W48415	OEM - Spiral Retaining Ring 1.5" Kit
55A	1-W48413	OEM - Spiral Retainer Ring Kit
56	1-W0338	OEM - Round Flat Washer - Special
56A	1-W91174	OEM - Flatwasher Plain Special
57	1-W55136	OEM - 1-1/2" Packing Set
57A	1-W55209	OEM - Packing Set 2"
58A	W25215	2" Packing Set With Wiper
59	1-W55137	OEM - Wiper Ring 1-1/2"
59A	1-W55210	OEM - Wiper Ring 2"
60	W25944	1-1/2" Packing Nut Only
60A	W25948	Packing Nut, 2"
61	1-W49020	OEM - Angle Valve Kit 4-Way Without Gasket
62	1-W49138K	OEM - Relief Valve Kit - 2 pcs
65	1-W93165	OEM - 1/4-20X1-3/4 Tapping Screw
68	1-W55342	OEM - Cable & Linkage Enclosure
69	1-W55359	OEM - Torsion Spring
70	1-W90909	OEM - 1/4-20X1-1/2 Socket Cap Screw
71	1-W55364	OEM - Valve Lever Assembly 4-Way
73	1-W55959	OEM - Valve Enclosure Cover 4-Way
75	1-W25202	OEM - Plunger Kit, 1-1/2" X 6"
75A	1-W25212	OEM - Plunger Kit 2" X 6"
76	1-W92071	OEM - Plug 1/8 NPTF HX SO
77	1-W92095	OEM - Plug 1/4" Hex Socket Head
78	1-W55591	OEM - Expansion Plug 1/4"
79	1-W55571	OEM - Camshaft
N/I	W25878	Clearance Item - Angle Cylinder 2" X 16"
N/I	1-W62550K	OEM - Ram Assembly 1-1/2" X 10"
N/I	1-W62540	OEM - Ram Assy 1-1/2" X 6"

MAJOR SEAL KIT W49049

Dia.	No. Part No.	Description
-	W49049	Major Seal Kit
-	W49049C	Major Seal Kit - Clam Packed
*20	W25861	Motor Gasket
20	W25861H	Motor Gasket - Header Tagged
*36	1-W25731	OEM - O-Ring -010
*39	W55371	O-Ring 1/16" X 5/16" OD
*47	W55350	Valve Cover Gasket, 3-Way
*58	W25205	1-1/2 Inch Packing Set With Wiper
58	W25205H	1-1/2" Packing Set w/Wiper- Header Tagged
*63	1-W55252	OEM - O-Ring - 015
*64	1-W55374	OEM - Manifold Gasket 4W
*66	1-W55951	OEM - Shim Spacer .0005 Silver
*67	1-W55735	OEM - Shim Spacer .00035 Clear
*74	W55357	Valve Cover Gasket, 4-Way

MASTER SEAL KIT W49049-1

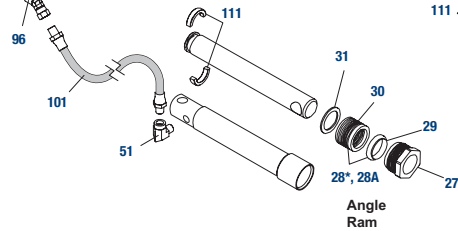
Dia.	No. Part No.	Description
-	W49049-1	Master Seal Kit
-	W49049	Major Seal Kit
±19	1-W49014	OEM - Motor Oil Seal
±27	1-W25620	OEM - O-Ring - 115
±33	W55587	O-Ring 3/32 Inch X 11/16 Inch OD
±34	W25730	O-Ring, 1/16 X 1/2" OD
±36	1-W25731	OEM - O-Ring -010
±39	W55371	O-Ring 1/16" X 5/16" OD
±42	W25618	O-Ring, 1/8" X 1-3/8" OD

WESTERN® Snow Plow Replacement Parts - Solenoid Pump UniMount®

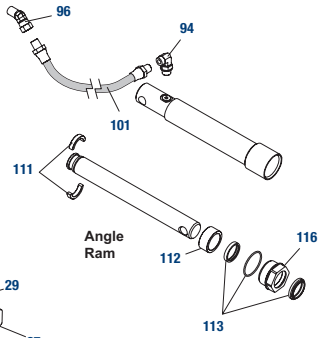
WESTERN®



NPTF Port/Packing Nut
Angle Ram Assemblies*

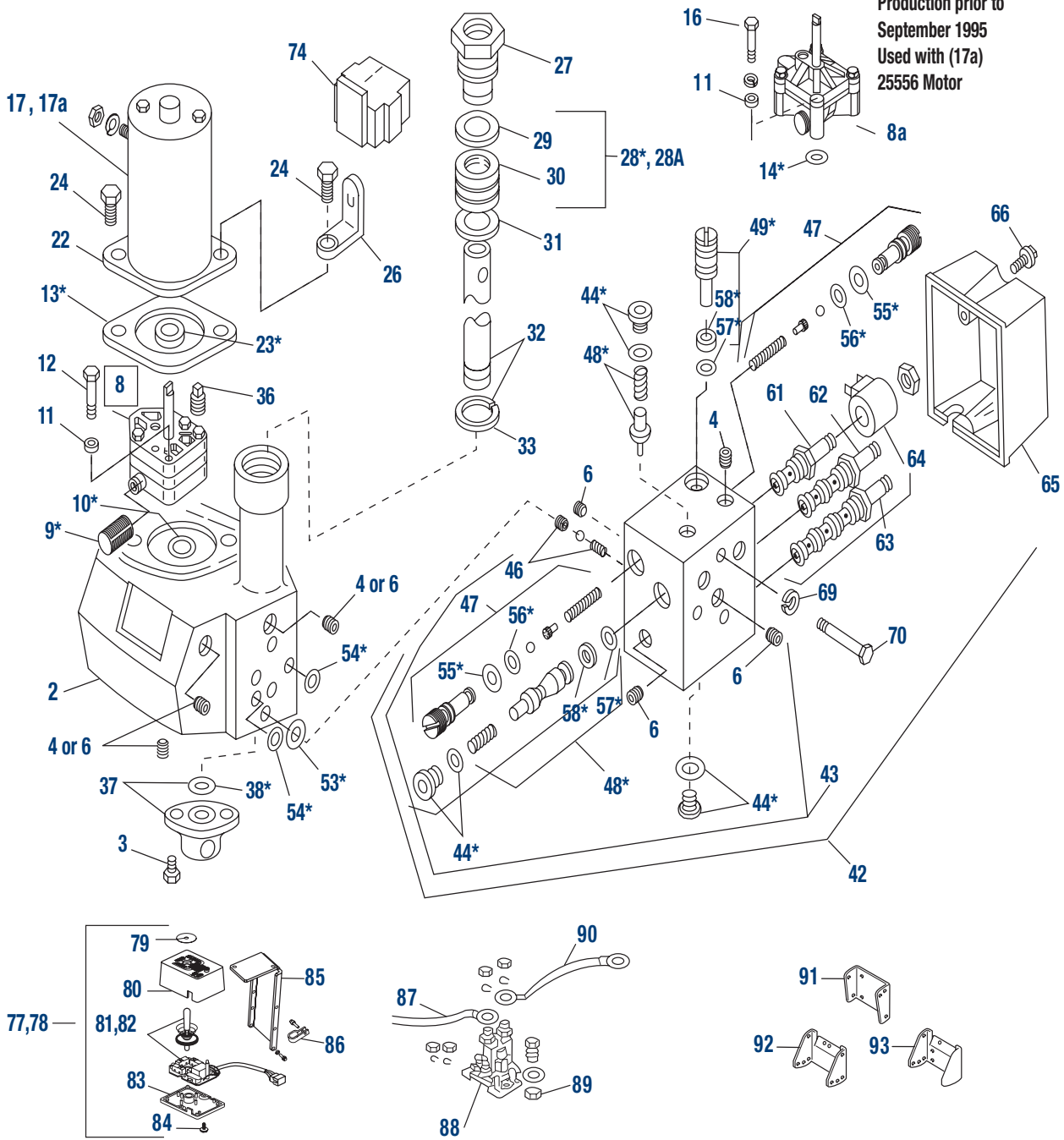
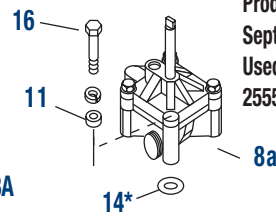


SAE O-Ring Port/Gland Nut
Angle Ram Assembly*



DIE CAST PUMP

Production prior to
September 1995
Used with (17a)
25556 Motor



WESTERN® Snow Plow Replacement Parts - Solenoid Pump UniMount®

WESTERN®

Dia. No.	Part No.	Description
-	1-W49253	Solenoid Operated Hydraulic Unit 1-1/2" 3500 PSI
1	U0001	Universal Oil - Quart (Replaces 15134, 49311 & 28531)
1	U0001-12	Universal Oil - Case, 12 Qrts (Replaces 15134, 49311 & 28531)
1	1-W49311	OEM - Quart Western Hydraulic Fluid
2	1-W49252	OEM - Service Housing Solenoid Pump
3	1-W93166	OEM - 5/16-18X1-1/4 Tapping Screw
4	1-W92095	OEM - Plug 1/4" Hex Socket Head
6	1-W92071	OEM - Plug 1/8 NPTF HX SO
8	W49211	P I E-S H A P E D Hydraulic Pump
8A	1-W25557	OEM - Hydraulic Pump Kit Used With 25556
11	1-W90311	OEM - Flatwasher 1/4 Type A Wide
12	1-W90080	OEM - HHCS 5/16-18 X 2-1/2" Grade 5
16	1-W90073	OEM - HHCS 5/16-18 X 2-1/4" Grade 5
17	W56133	4-1/2" Motor - Cone Shaped
17A	W25556	4-1/2" Motor - Flat Faced
22	1-W49084	OEM - Motor Flange Brg & Seal
24	1-W90066	OEM - HHCS 7/16-14 X 1-1/4" Grade 5
26	1-W56356	OEM - Boot Bracket Kit
27	W25944	1-1/2" Packing Nut Only
27	W25948	Packing Nut, 2"
28A	W25215	2" Packing Set With Wiper
29	1-W55137	OEM - Wiper Ring 1-1/2"
29	1-W55210	OEM - Wiper Ring 2"
30	1-W55136	OEM - 1-1/2" Packing Set
30	1-W55209	OEM - Packing Set 2"
31	1-W0338	OEM - Round Flat Washer - Special
32	1-W25202	OEM - Plunger Kit, 1-1/2" X 6"
33	1-W48415	OEM - Spiral Retaining Ring 1.5" Kit
36	1-W92079	OEM - Plug Square 3/8"
37	W25968	Base Lug With O-Ring
42	1-W49265	OEM - Valve Manifold Assembly 3500 PSI
42	1-W49278	OEM - Valve Manifold Assy
43	1-W49224	OEM - Manifold Assy Sol 3500
43	1-W49279	OEM - Manifold Assy Sol 2500
46	1-W49225	OEM - Inlet Check Valve Repair Kit
47	1-W49138K	OEM - Relief Valve Kit - 2 pcs
51	W92210	Street Elbow - Small
61	W49227	Cartridge 20 With Jam Nut - (Lowers, S1)

Dia. No.	Part No.	Description
61	W49227C	Cartridge 20 With Jam Nut, C-Pk
62	W49228	Cartridge 30 With Jam Nut - (Right & Left, S2)
62	W49228C	Cartridge 30 With Jam Nut, C-Pk
63	W49229	Cartridge 40 With Jam Nut - (Left & Raise, S3)
63	W49229C	Cartridge 40 With Jam Nut, C-Pk
64	W49230	Coil With Spade Terminals
65	1-W56291	OEM - Cover Assembly
66	1-W90650	OEM - 8-32 X 1/2" Tapping Screw
69	1-W91201	OEM - 1/4" SP LK Washer
70	1-W90083	OEM - HHCS 1/4-20 X 3-1/4" Grade 5
74	1-W61246	OEM - Cable Boot (Uni Mount)
77	1-W56285	OEM - Solenoid Control Kit - SAE
78	1-W56369	OEM - Solenoid Control White Plug (6 Pin)
79	1-W56283	OEM - Shield For Joy Stick Control
80	1-W49286	OEM - Body With Label & Lens
81	1-W49283	OEM - PC Board Molex Style 2 White
82	1-W49284	OEM - PC Board-SAE Style 2 Black
83	1-W56199	OEM - Base Joystick Control
84	1-W93154K	OEM - #8 5/8" Cable Control Screws - 5 Pack
85	1-W56308	OEM - Control Bracket
86	1-W55381	OEM - Cable Clamp
87	W25635	Battery Cable 60" Red
88	F5794K	Solenoid Motor Relay
88	F5794K-H	Solenoid Motor Relay - Header Tagged
89	1-W91331	OEM - 1/4-20 Hex Locknut GB
90	W22511	Battery Cable 22" Red
91	1-W56080	OEM - Dash Bracket - Chevy
92	1-W56081	OEM - Dash Bracket--Ford/Dodge
93	1-W56082	OEM - Dash Bracket
94	1-W56539K	OEM - Elbow 90 F -6 O-Ring - 1/4 Nptf
96	1-W92190K	OEM - Swivel Hose Fitting 45 Degree
101	W55020	Pressure Hose 1/4 Inch X 38 Inch
111	1-W64650	OEM - Split Bearing Kit - 1-1/2"
112	1-W56537	OEM - Spacer
113	W56556	Seal Kit, Cylinder 1-1/2" (Old Style)
116	1-W48985	OEM - Gland Nut And Seal Assembly (New Style)
N/I	W56538K	Lift Cylinder 1-1/2" X 8"
N/I	1-W62550K	OEM - Ram Assembly 1-1/2" X 10"
N/I	W25878	Angle Cylinder 2" X 16"

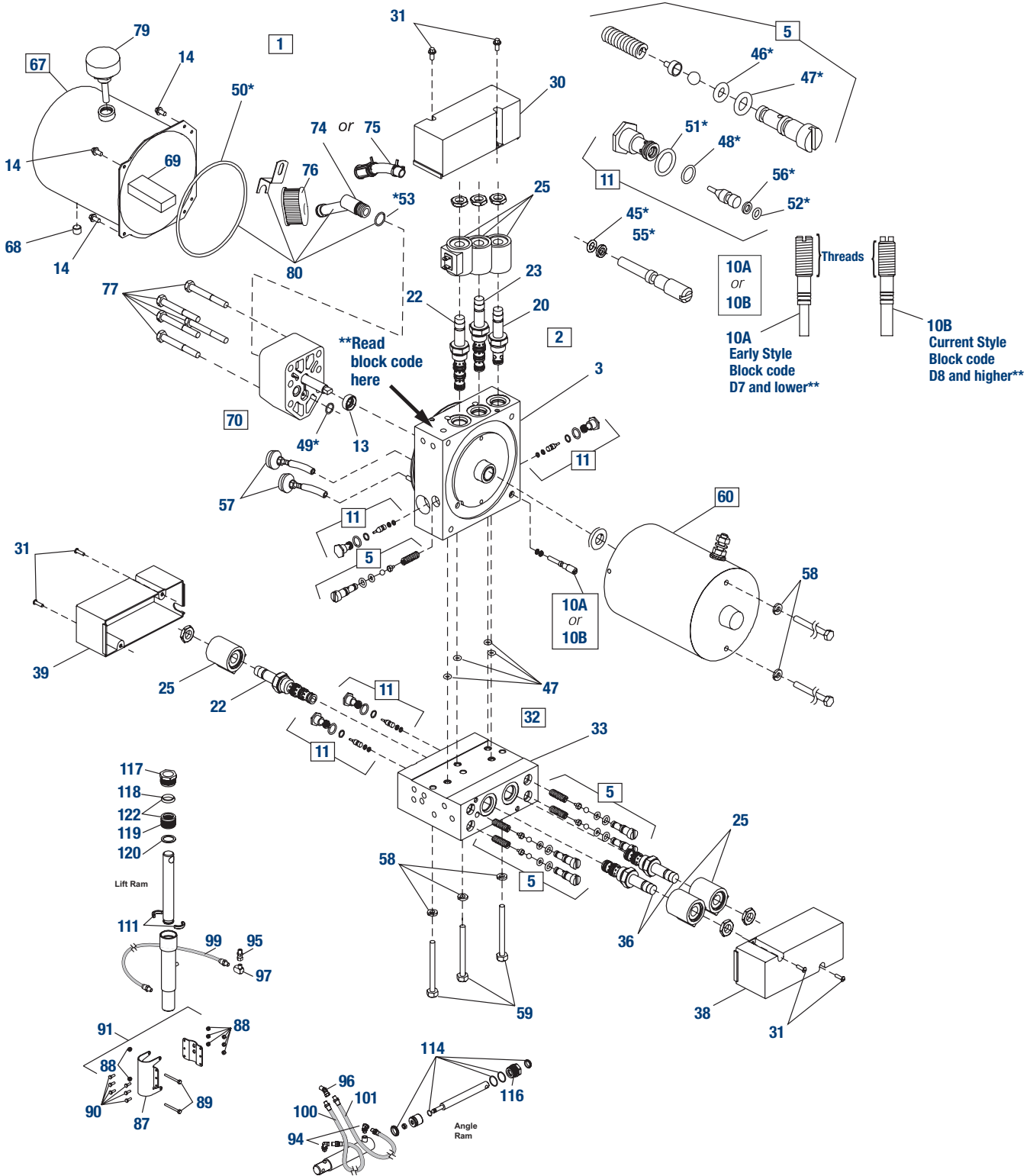
SEAL KIT 1-W49340

Dia. No.	Part No.	Description
-	1-W49340	OEM - Sol Isarmatic Rework Kit 1-1/2"
*9	W56185	Suction Filter For Pump
9	W56185H	Suction Filter For Pump - Header Tagged
*10	W56416	O-Ring - 014
*13	W25861	Motor Gasket
13	W25861H	Motor Gasket - Header Tagged
*14	1-W25620	OEM - O-Ring - 115
*23	1-W49014	OEM - Motor Oil Seal
*28	W25205	1-1/2 Inch Packing Set With Wiper
28	W25205H	1-1/2" Packing Set With Wiper- Header Tagged
*38	W25618	O-Ring, 1/8" X 1-3/8" OD
*44	1-W92960	OEM - Hex Socket Head O-Ring

Dia. No.	Part No.	Description
*48	1-W49226	OEM - Poppet Check Valve Kit
*49	1-W56330	OEM - Quill Assembly
*53	1-W56274	OEM - O-Ring - 013
*54	W25730	O-Ring, 1/16 X 1/2" OD
*55	1-W25731	OEM - O-Ring -010
*56	W55371	O-Ring 1/16" X 5/16" OD
*57	1-W25622	OEM - O-Ring -006
*58	1-W56315	OEM - Back Up Ring-006
*N/I	W49258	Seal Kit: Cartridge 20
*N/I	W49259	Seal Kit: Cartridge 30, 31, 33, 40, 43

WESTERN® Snow Plow Replacement Parts - MVP® Pump UniMount®

WESTERN®



WESTERN® Snow Plow Replacement Parts - MVP® Pump UniMount®

WESTERN®

Dia. No.	Part No.	Description
1	1-W66780	OEM - Hydraulic Unit - MVP
2	1-W66774	OEM - Primary Valve Manf Assy Wp
3	1-W66776	OEM - Primary Manf Assy Wp
5	1-W49138K	OEM - Relief Valve Kit - 2 pcs
10A	1-W66509	OEM - Quill Assembly
10B	1-W56662	OEM - Quill Assy FS/IA Partial Thread
11	1-W66785	OEM - Pilot Check Valve Kit
13	1-W66515	OEM - Pump Shaft Seal
14	1-W66607	OEM - Machine Screw
20	W49227	Cartridge 20 With Jam Nut - (Lowers, S1)
20	W49227C	Clam Packed - Cartridge 20 With Jam Nut
N/I	W49258	Seal Kit: Cartridge 20
22	W49229	Cartridge 40 W/Jam Nut - (Lft & Raise, S3)
22	W49229C	Cartridge 40 With Jam Nut, C-Pk
N/I	W49259	Seal Kit: Cartridge 30, 31, 33, 40, 43
23	W66783W	Cartridge 43 w/ Nut
N/I	W49259	Seal Kit: Cartridge 30, 31, 33, 40, 43
25	W49230	Coil With Spade Terminals
30	1-W66396	OEM - Cover Assy MVP 4-4-2
31	1-W90650	OEM - 8-32 X 1/2 Inch Tapping Screw
32	1-W66786	OEM - Secondary ValveManf Assywp
33	1-W66772-1	OEM - Secondary Manf w/o Viv, Coils & Cover
36	W49228	Cartridge 30 W/Jam Nut - (Rgt & Lft, S2)
36	W49228C	Clam Packed - Cartridge 30 With Jam Nut
38	1-W66397	OEM - Cover Assy MVP 3-3
39	1-W66398	OEM - Cover Assy MVP 4 Way
57	1-W66405	OEM - Return Screen Assembly
58	1-W91201	OEM - 1/4 Inch SP LK Washer
59	1-W66597	OEM - HCS 1/4-20 X 2-1/2 Inch Gr5
60	W21500	4-1/2 Inch Motor - Tang Shaft
67	1-W66631	OEM - Reservoir Kit (Uni Mt Plow ONLY, MVP)
68	1-W92095	OEM - Plug 1/4 Inch Hex Socket Head

Dia. No.	Part No.	Description
69	1-W73897	OEM - Magnet
70	1-W21501-1	OEM - Hydraulic Pump Kit
74	1-W66763-1	OEM - Straight Bld Inlet Fitting/Filter Kit
75	1-W66599	OEM - Pick-Up Tube Assy
76	1-W56789	OEM - Suction Filter
77	1-W90073	OEM - Hex Head Cap Screw 5/16-18 X 2-1/4 Inch Grade 5
79	1-W66525	OEM - Reservoir Filler Breather Plug
80	1-W66763-1	OEM - Straight Bld Inlet Fitting/Filter Kit
87	1-W67387	OEM - Cylinder Mount Bracket
88	1-W91331	OEM - 1/4-20 Hex Locknut GB
89	1-W90010	OEM - Hexcapscrew 1/4-20X2-3/4 G5
90	1-W90461	OEM - Hexcapscrew 1/4-20 x 3/4 G5
91	1-W66778	OEM - Mounting Bracket Kit Wp
94	1-W56539K	OEM - Elbow 90 F -6 O-Ring-1/4 Nptf
95	1-W66562K	OEM - Straight Union Adapter Kit
96	1-W92190K	OEM - Swivel Hose Fitting 45 Degree
97	W92210	Street Elbow - Small
99	1-W56224K	OEM - 1/4X18 Pressure Hose Kit
100	1-W4424K	OEM - 1/4X36 High Pressure Hose Kit
100	F4424	Angle Hose 1/4 Inch X 36 Inch
101	W55020	Pressure Hose 1/4 Inch X 38 Inch
111	1-W64650	OEM - Split Bearing Kit - 1-1/2"
114	1-W49498	OEM - Piston & Gland Nut 2" Dia
116	1-W48985	OEM - Gland Nut And Seal Assembly, N/S
117	W25944	1-1/2 Inch Packing Nut Only
118	1-W55137	OEM - Wiper Ring 1-1/2 Inch
119	1-W55136	OEM - 1-1/2 Inch Packing Set
120	1-W0338	OEM - Round Flat Washer - Special
122	W25205	1-1/2 Inch Packing Set With Wiper
122	W25205H	1-1/2" Packing Set W/Wiper, Header Tagged
N/I	1-W66722	OEM - Ram Assy 1-1/2" X 8" Kit
N/I	W56709W	DA Angle Cylinder V-Plow 2" X 10"

SEAL KIT 1-W56657-4 (UNIVERSAL KIT - NOT ALL CONTENTS ARE USED IN STRAIGHT BLADE APPLICATIONS.)

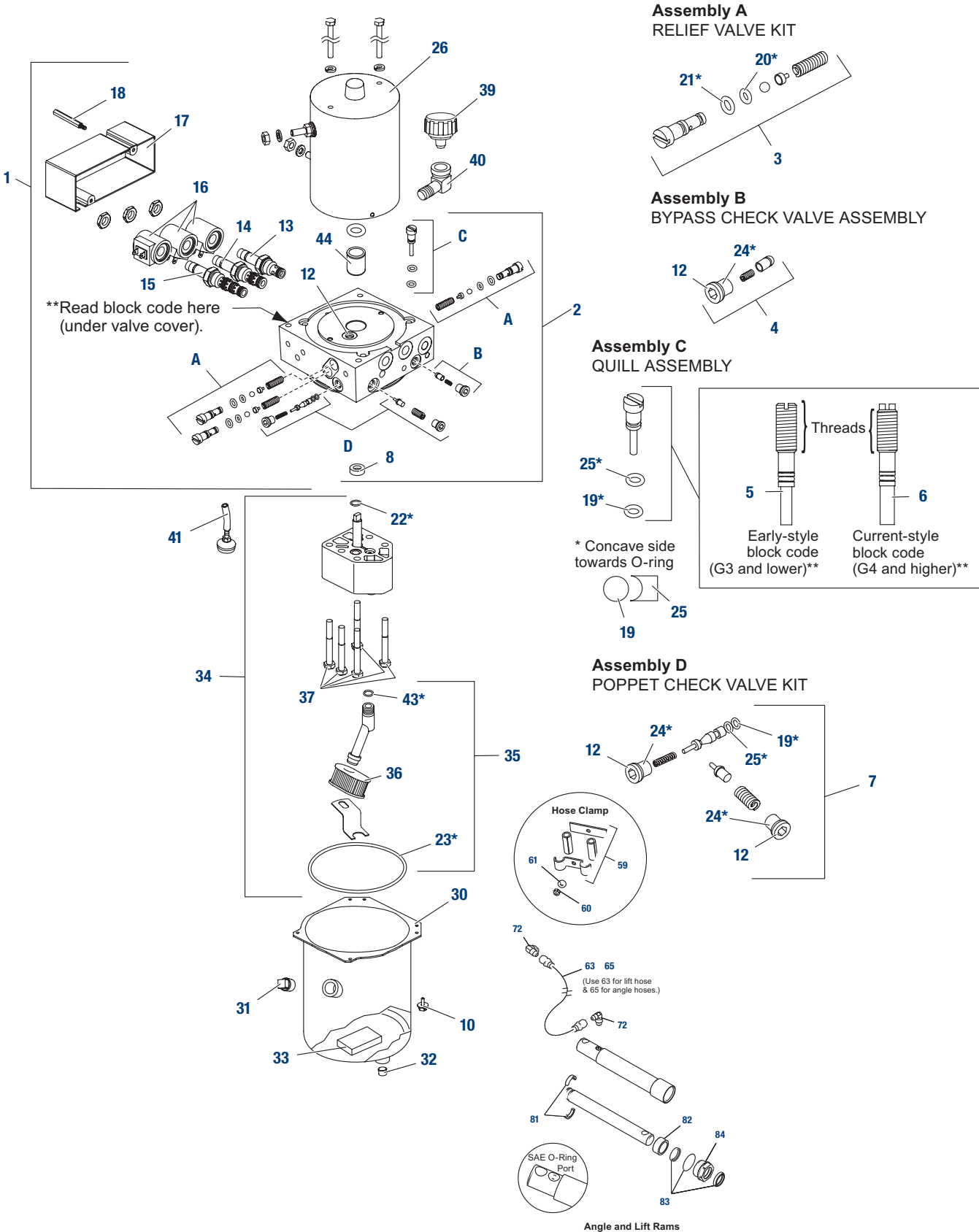
Dia. No.	Part No.	Description
-	1-W56657-4	OEM - Master O-Ring Kit EZ V & Str Bld Pwr PK
*45	1-W25622	OEM - O-Ring -006
*46	W55371	O-Ring 1/16 Inch X 5/16 Inch OD
*47	1-W25731	OEM - O-Ring -010
*48	1-W66627	OEM - O-Ring - 011
*49	1-W56274	OEM - O-Ring - 013
*50	1-W66519	OEM - O-Ring 2-250
*51	1-W56569	OEM - O-Ring -906
*52	1-W56776	OEM - O-Ring -008 Red

Dia. No.	Part No.	Description
*53	W56416	O-Ring - 014
*55	1-W56315	OEM - Back Up Ring-006
*56	1-W66628	OEM - Back Up Ring-008
N/I	1-W26784	OEM - O-RING -903
N/I	W25730	O-Ring, 1/16 X 1/2 Inch OD
N/I	1-W66028	OEM - O-Ring - 226
N/I	1-W44343	OEM - O-Ring -904
N/I	1-W29077	OEM - O-Ring 110
N/I	1-W48239	OEM - O-Ring -106
N/I	1-W48240	OEM - Backup Ring -106

WESTERN® Snow Plow Replacement Parts - Flo-Stat® Hydraulic Unit UltraMount®

STANDARD, PRO-PLOW & PRO PLUS SNOW PLOWS

WESTERN®



WESTERN® Snow Plow Replacement Parts - Flo-Stat® Hydraulic Unit UltraMount®

STANDARD, PRO-PLOW & PRO PLUS SNOW PLOWS

Dia. No.	Part No.	Description
-	1-W56544	OEM - FloStat Hydraulic Unit
1	1-W56608	OEM - Valve Manifold Assembly With Cartridges Flo Stat
2	1-W56610	OEM - Manifold Flo Stat Without Valves, Coils & Covers
3	1-W49138K	OEM - Relief Valve Kit - 2 pcs
4	1-W56507	OEM - Bypass Check Valve Kit
5	1-W66509	OEM - Quill Assembly
6	1-W56662	OEM - Quill Assembly FS/IA Partial Thread
7	1-W49226	OEM - Poppet Check Valve Kit
8	1-W66515*	OEM - Pump Shaft Seal
10	1-W66607	OEM - Machine Screw
12	1-W92960	OEM - Hex Socket Head O-Ring
13	W49227	Cartridge 20 With Jam Nut - (Lowers, S1)
13	W49227C	Cartridge 20 With Jam Nut, C-Pk
N/I	W49258	Seal Kit: Cartridge 20
14	W66608K	Cartridge 31 With Jam Nut
15	W49229	Cartridge 40 With Jam Nut - (Left & Raise, S3)
15	W49229C	Cartridge 40 With Jam Nut, C-Pk
N/I	W49259	Seal Kit: Cartridge 30, 31, 33, 40, 43
16	W49230	Coil With Spade Terminals
17	1-W21394	OEM - Cover Assembly - Insta Act
18	1-W56580	Screw Standoff Kit
26	W21500	4-1/2" Motor - Tang Shaft
30	1-W21830	OEM - Reservoir Kit (For Ultra Mount Plows Only, Straight & MVP)
31	1-W92079	OEM - Plug Square 3/8"

Dia. No.	Part No.	Description
32	1-W92095	OEM - Plug 1/4" Hex Socket Head
33	1-W73897	OEM - Magnet
34	1-W21501-1	OEM - Hydraulic Pump Kit
35	1-W66763-1	OEM - Straight Blade Inlet Fitting / Filter Kit
36	1-W56789	OEM - Suction Filter
37	1-W90073	OEM - Hex Head Cap Screw 5/16-18 X 2-1/4" Grade 5
39	1-W21727-2	OEM - Breather 3/8 NPT Kit
40	1-W21726	OEM - 3/8" NPT 90 Degree Street Elbow
41	1-W66405	OEM - Return Screen Assembly
44	1-W64596-1**	OEM - Sleeve Bearing & Shaft Seal Kit
59	1-W64725	OEM - Hose Clamp Kit
60	1-W91332	OEM - 5/16-18 Hex Locknut
61	1-W90313	OEM - Flatwasher_5/16 Type A Wide
63	W56617	Hose 1/4" X 16" w/ FJIC Ends
65	W56616	Hose 1/4" X 42" w/ FJIC Ends
72	W56615	90 Degree Elbow, 6M O-Ring
81	1-W64650	OEM - Split Bearing Kit - 1-1/2"
82	1-W56537	OEM - Spacer
83	W56556	Seal Kit, Cylinder 1-1/2" (Old Style)
84	1-W48985	OEM - Gland Nut And Seal Assembly (New Style - Replaces 56556 & 56555)
N/I	W56538K	Lift Cylinder 1-1/2" X 8"
N/I	W56614	Angle Cylinder 1-1/2" X 10"
N/I	W64148	Angle Cylinder Pro Plus ONLY 1-1/2" X 12"

* Use 1-W28856 tool for pump shaft seal replacement (tool includes 1 seal). ** Use 1-W64589 tool for bearing sleeve replacement (tool includes 1 bearing).

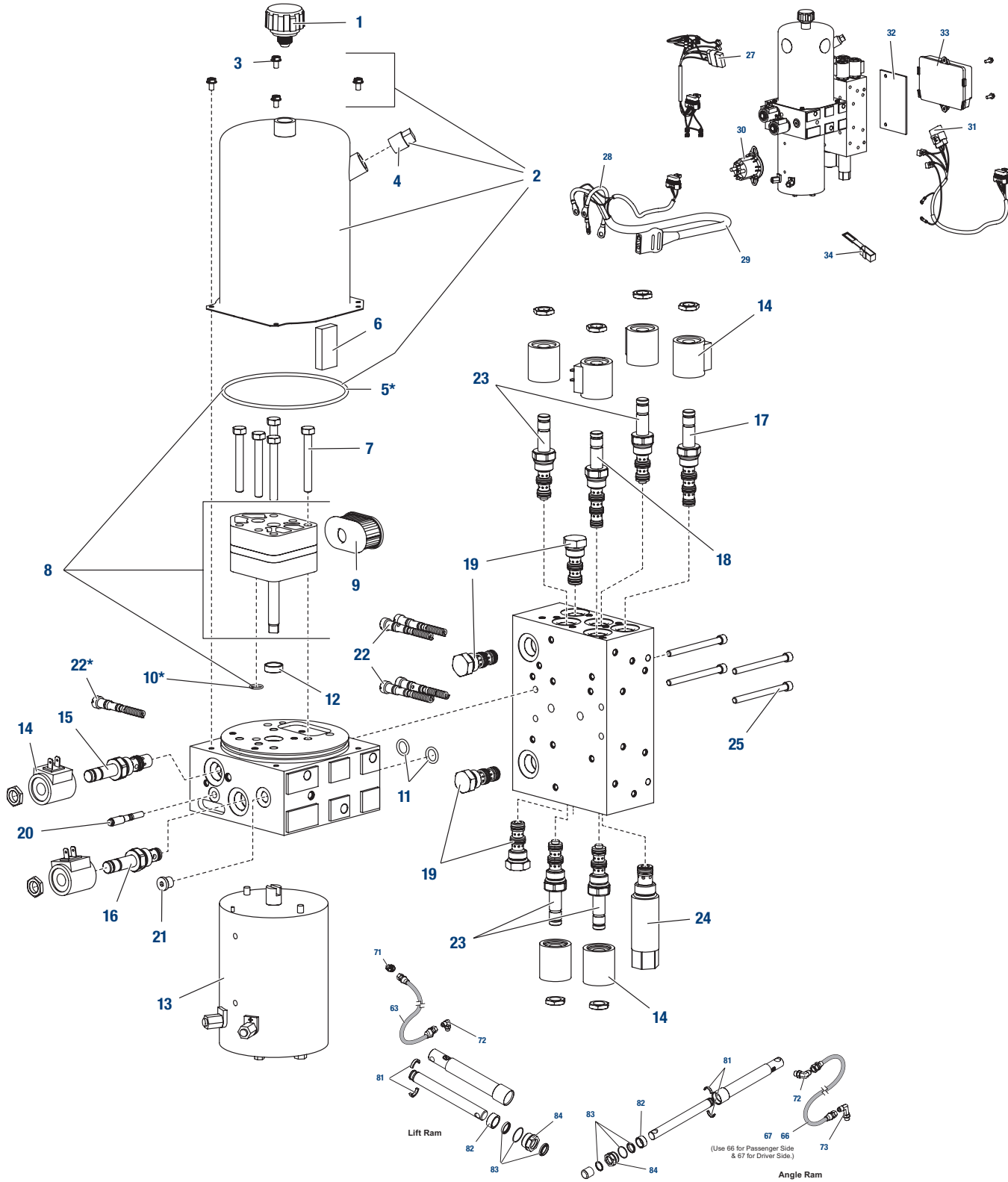
SEAL KIT 1-W56657-4 (UNIVERSAL KIT - NOT ALL CONTENTS ARE USED IN STRAIGHT BLADE APPLICATIONS.)

Dia. No.	Part No.	Description
-	1-W56657-4	OEM - Master O-Ring Kit EZ V & Straight Blade Power Packs
*19	1-W25622	OEM - O-Ring -006
*20	W55371	O-Ring 1/16" X 5/16" OD
*21	1-W25731	OEM - O-Ring -010
*22	1-W56274	OEM - O-Ring - 013
*23	1-W66519	OEM - O-Ring 2-250
*24	1-W26784	OEM - O-RING -903
*25	1-W56315	OEM - Back Up Ring-006
*43	W56416	O-Ring - 014
N/I	1-W66628	OEM - Back Up Ring-008

Dia. No.	Part No.	Description
N/I	1-W66627	OEM - O-Ring - 011
N/I	W25730	O-Ring, 1/16 X 1/2" OD
N/I	1-W66028	OEM - O-Ring - 226
N/I	1-W56569	OEM - O-Ring -906
N/I	1-W56776	OEM - O-Ring -008 Red
N/I	1-W29077	OEM - O-Ring 110
N/I	1-W48239	OEM - O-Ring -106
N/I	1-W48240	OEM - Backup Ring -106

WESTERN® Snow Plow Replacement Parts - Wide-Out™ Hydraulic Unit UltraMount®

WESTERN®



WESTERN® Snow Plow Replacement Parts - Wide-Out™ Hydraulic Unit UltraMount®

Dia. No.	Part No.	Description
1	1-W21727-2	OEM - Breather 3/8 NPT Kit
2	1-W44327-2	OEM - Reservoir Kit (Ultra Plow Only, MVP PLUS)
3	1-W66607	OEM - Machine Screw
4	1-W92079	OEM - Plug Square 3/8"
6	1-W73897	OEM - Magnet
7	1-W90080	OEM - HHCS 5/16-18 X 2-1/2" Grade 5
8	1-W44328-1	OEM - Pump Kit
9	1-W56789	OEM - Suction Filter
11	1-W55587	OEM - O-Ring - 112
12	1-W66515	OEM - Pump Shaft Seal
13	W21500	4-1/2" Motor - Tang Shaft
14	W49230	Coil With Spade Terminals
15	1-W44332	OEM - Valve SVCV08-20 With Nut
16	W49227	Cartridge 20 With Jam Nut - (Lowers, S1)
16	W49227C	Cartridge 20 With Jam Nut, C-Pk
17	1-W49452	OEM - Valve Sv08-45 W/Nut
18	1-W49456	OEM - Valve Sv08-41 W/Nut
19	1-W49458	OEM - Valve Pc08-30 W/Nut
20	1-W56662	OEM - Quill Assembly FS/IA Partial Thread
20	1-W48517	OEM - Quill
21	1-W44344	OEM - 7/16-20 Hex SO O-Ring Boss Plug
22	1-W49138K	OEM - Relief Valve Kit - 2 pcs
23	W49228	Cartridge 30 With Jam Nut - (Right & Left, S2)
23	W49228C	Cartridge 30 With Jam Nut, C-Pk
24	1-W49462	OEM - Cross Over Relief-4000 Psi
25	1-W29081	OEM - 1/4-20 X 3" Socket Cap Screw

Dia. No.	Part No.	Description
27	1-W29471	OEM - Plow Harness 6 Solenoid Kit
28	1-W29071	OEM - CABLE ASSEMBLY 8"
29	1-W42015	OEM - Cable Assembly Plow
30	W56131	Heavy Duty Motor Solenoid
31	1-W29461	OEM - Plow Harness 2 Solenoid Kit
32	1-W44308	OEM - Spacer Module
33	1-W44354-3	OEM - Plow Module
34	1-W61548K	OEM - Plug Cover Kit
63	W56617	Hose 1/4" X 16" w/ FJIC Ends
66	1-W49469	OEM - Hose 3/8" X 32" W/Fjic Ends
67	W44351	Hose 3/8" X 38" w/ FJIC Ends
71	1-W26694	OEM - Elbow Kit 45 Degree - 6M O-Ring / MJIC
72	W56615	90 Degree Elbow, 6M O-Ring
73	W64212-1	90 Degree Elbow, Long 6M O-Ring
81	1-W64650	OEM - Split Bearing Kit - 1-1/2"
82	1-W56537	OEM - Spacer
83	W56556	Seal Kit, Cylinder 1-1/2" (Old Style)
84	1-W48985	OEM - Gland Nut And Seal Assembly (New Style)
N/I	W56538K	Lift Cylinder 1-1/2" X 8"
N/I	1-W49460	OEM - Ram Assembly 1-1/2 X 10
N/I	1-W44326	OEM - 1/4-20X1/2 6 Lobe
N/I	1-W44355	OEM - 1/4-20X5/8 Hex Washer Head
N/I	W49258	Seal Kit: Cartridge 20
N/I	W49259	Seal Kit: Cartridge 30, 31, 33, 40, 43
N/I	1-W49464	OEM - Seal Kit-Crossover Relief

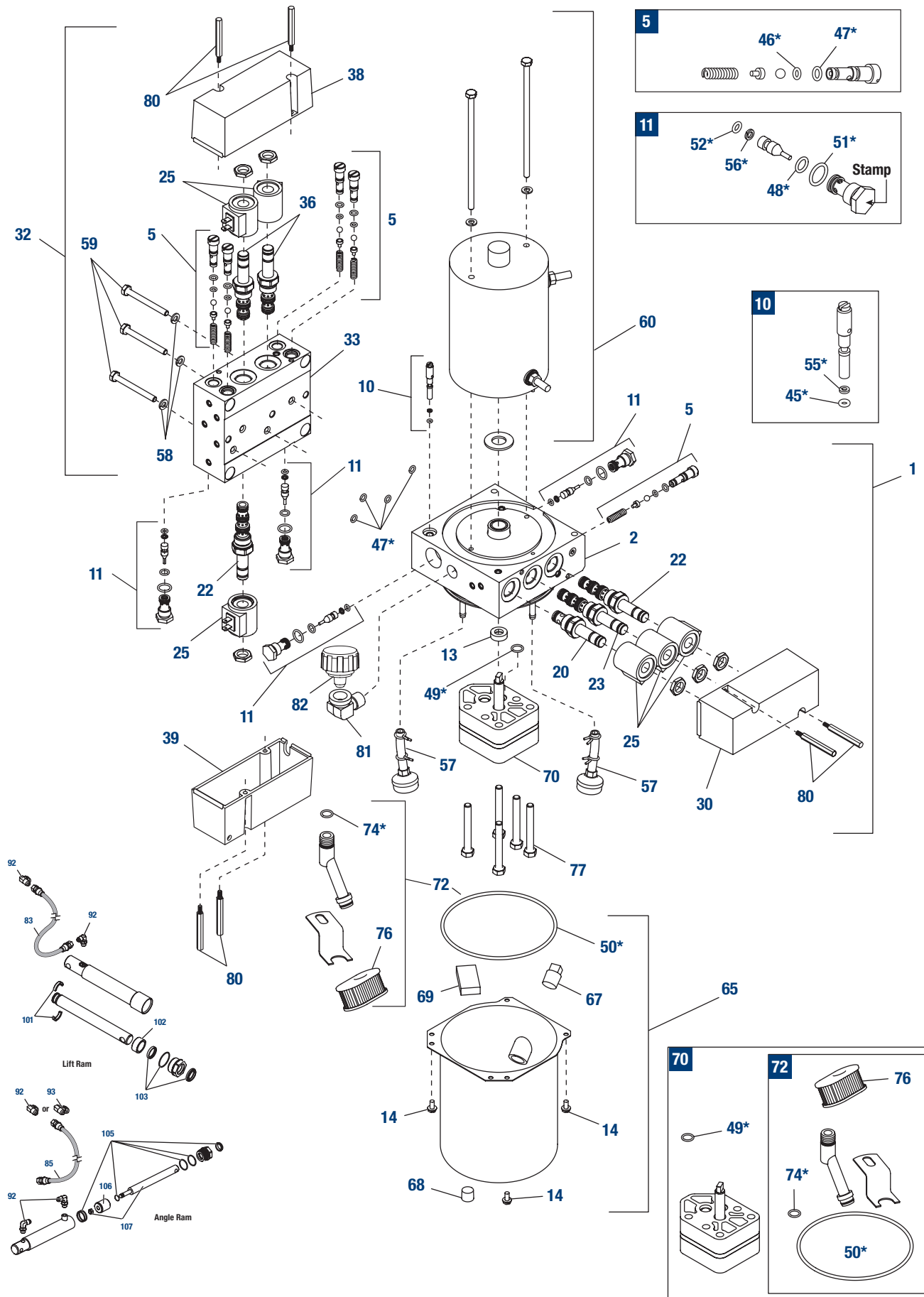
SEAL KIT 1-W56657-4 (UNIVERSAL KIT - NOT ALL CONTENTS ARE USED IN STRAIGHT BLADE APPLICATIONS.)

Dia. No.	Part No.	Description
-	1-W56657-4	OEM - Master O-Ring Kit EZ V & Straight Blade Power Packs
*5	1-W66519	OEM - O-Ring 2-250
*10	1-W56274	OEM - O-Ring - 013
*N/I	W55371	O-Ring 1/16" X 5/16" OD
*N/I	1-W25731	OEM - O-Ring -010
*N/I	1-W25622	OEM - O-Ring -006
*N/I	1-W56315	OEM - Back Up Ring-006
N/I	W25730	O-Ring, 1/16 X 1/2" OD

Dia. No.	Part No.	Description
N/I	1-W26784	OEM - O-RING -903
N/I	W56416	O-Ring - 014
N/I	1-W66628	OEM - Back Up Ring-008
N/I	1-W66627	OEM - O-Ring - 011
N/I	1-W56569	OEM - O-Ring -906
N/I	1-W56776	OEM - O-Ring -008 Red
N/I	W25620	Pump Mnt O-Ring, 7/8" O.D.
N/I	W25618	O-Ring, 1/8" X 1-3/8" OD
N/I	1-W66028	OEM - O-Ring - 226

WESTERN® Snow Plow Replacement Parts - MVP® Hydraulic Unit UltraMount®

WESTERN®



WESTERN® Snow Plow Replacement Parts - MVP® Hydraulic Unit UltraMount®

Dia. No.	Part No.	Description
1	1-W66773-1	OEM - Primary Valve Manifold Assy W/ Valves, Coils & Cover
2	1-W66775-1	OEM - Primary Manifold Assy W/O Valves, Coils & Cover
5	1-W49138K	OEM - Relief Valve Kit - 2 pcs
10	1-W56662	OEM - Quill Assembly FS/IA Partial Thread
11	1-W66785	OEM - Pilot Check Valve Kit
13	1-W66515	OEM - Pump Shaft Seal
14	1-W66607	OEM - Machine Screw
20	W49227	Cartridge 20 With Jam Nut - (Lowers, S1)
20	W49227C	Cartridge 20 With Jam Nut, C-Pk
22	W49229	Cartridge 40 With Jam Nut - (Left & Raise, S3)
22	W49229C	Cartridge 40 With Jam Nut, C-Pk
23	W66783W	Cartridge 43 w/ Nut
25	W49230	Coil With Spade Terminals
30	1-W56763	OEM - Cover Assembly 4-4-2
32	1-W66771-1	OEM - Secondary Valve Manifold W/ Valves, Coils & Cover
33	1-W66772-1	OEM - Secondary Manifold W/O Valves, Coils & Cover
36	W49228	Cartridge 30 With Jam Nut - (Right & Left, S2)
36	W49228C	Cartridge 30 With Jam Nut, C-Pk
38	1-W66620	OEM - Valve Cover V-Plow 3-3 Way
39	1-W66621	OEM - Valve Cover V-Plow 4-Way
57	1-W66405	OEM - Return Screen Assembly
58	1-W91201	OEM - 1/4" SP LK Washer
59	1-W66597	OEM - Hex Cap Screw 1/4-20 X 2-1/2" Grade 5
60	W21500	4-1/2" Motor - Tang Shaft
65	1-W21830	OEM - Reservoir Kit (Ultra Plows Only, Straight & MVP)
67	1-W92079	OEM - Plug Square 3/8"

Dia. No.	Part No.	Description
68	1-W92095	OEM - Plug 1/4" Hex Socket Head
69	1-W73897	OEM - Magnet
70	1-W21501-1	OEM - Hydraulic Pump Kit
72	1-W66763-1	OEM - Straight Blade Inlet Fitting / Filter Kit
76	1-W56789	OEM - Suction Filter
77	1-W90073	OEM - Hex Head Cap Screw 5/16-18 X 2-1/4" Grade 5
80	1-W56580	Screw Standoff Kit
81	1-W21726	OEM - 3/8" NPT 90 Degree Street Elbow
82	1-W21727-2	OEM - Breather 3/8 NPT Kit
83	W56617	Hose 1/4" X 16" w/ FJIC Ends
85	W56616	Hose 1/4" X 42" w/ FJIC Ends
92	W56615	90 Degree Elbow, 6M O-Ring
93	W64212-1	90 Degree Elbow, Long 6M O-Ring
101	1-W64650	OEM - Split Bearing Kit - 1-1/2"
102	1-W56537	OEM - Spacer
103	W56556	Seal Kit, Cylinder 1-1/2" (Old Style)
105	1-W49498	OEM - Piston & Gland Nut 2" Dia
106	1-W56537	OEM - Piston & Gland Nut 2" Dia
N/I	W49258	Seal Kit: Cartridge 20
N/I	W49259	Seal Kit: Cartridge 30, 31, 33, 40, 43
N/I	W56538K	Lift Cylinder 1-1/2" X 8"
107	1-W56797	OEM - Rod Kit 2 X 11 Da Ram
N/I	W56750	Double Acting Angle Cylinder 2" X 11"

SEAL KIT 1-W56657-4

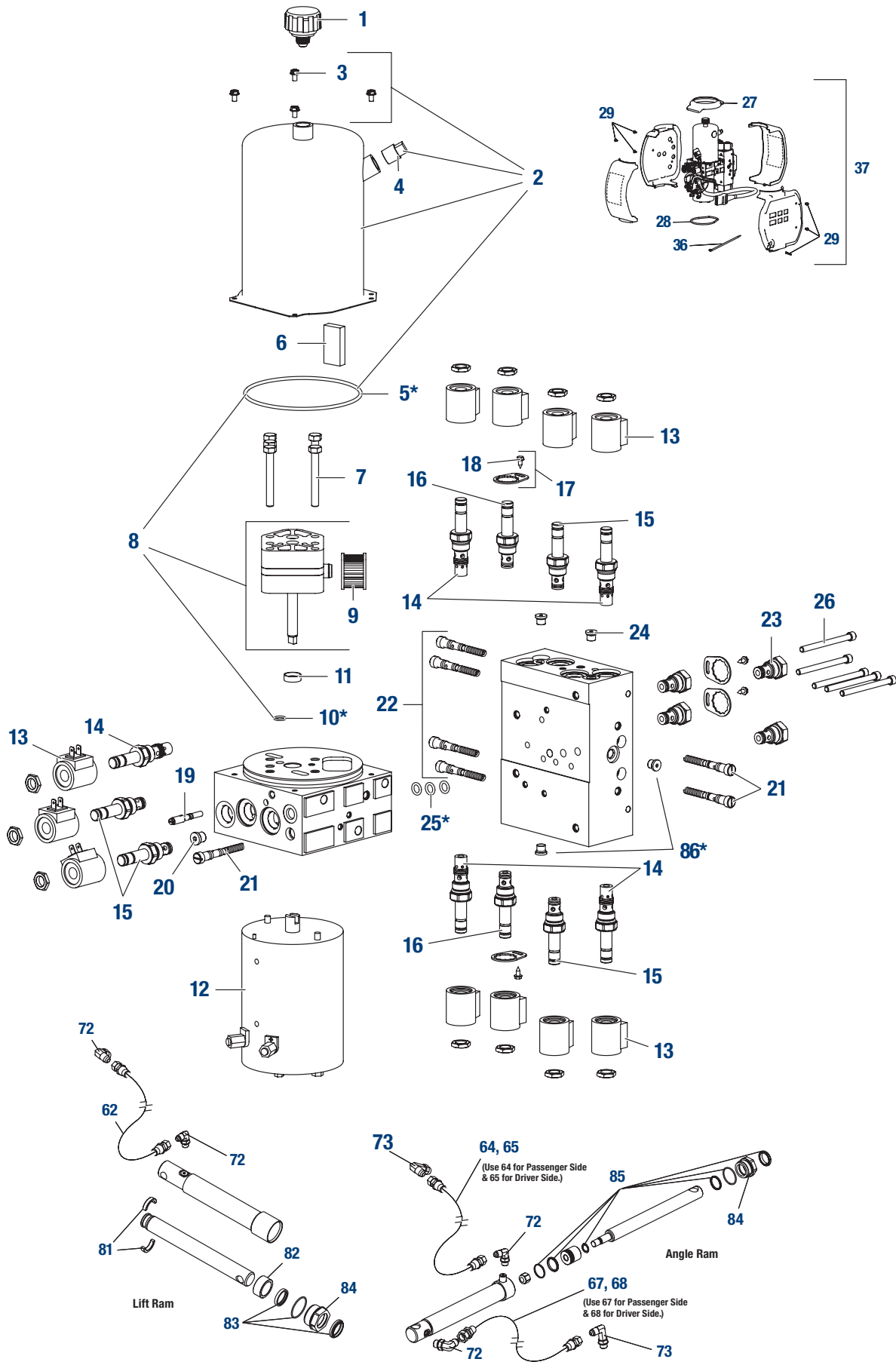
Universal Kit – Not all contents are used in straight blade applications.

Dia. No.	Part No.	Description
-	1-W56657-4	OEM - Master O-Ring Kit EZ V & Straight Blade Power Packs
*45	1-W25622	OEM - O-Ring -006
*46	W55371	O-Ring 1/16" X 5/16" OD
*47	1-W25731	OEM - O-Ring -010
*48	1-W66627	OEM - O-Ring -011
*48	W25730	O-Ring, 1/16 X 1/2" OD
*49	1-W56274	OEM - O-Ring -013
*50	1-W66519	OEM - O-Ring 2-250
*51	1-W56569	OEM - O-Ring -906
*52	1-W56776	OEM - O-Ring -008 Red

Dia. No.	Part No.	Description
*55	1-W56315	OEM - Back Up Ring-006
*56	1-W66628	OEM - Back Up Ring-008
*74	W56416	O-Ring -014
N/I	1-W26784	OEM - O-RING -903
N/I	1-W44343	OEM - O-Ring -904
N/I	1-W29077	OEM - O-Ring 110
N/I	1-W48239	OEM - O-Ring -106
N/I	1-W48240	OEM - Backup Ring -106
N/I	1-W66028	OEM - O-Ring -226

WESTERN® Snow Plow Replacement Parts - MVP Plus™ Hydraulic Unit UltraMount®

WESTERN®



WESTERN® Snow Plow

Replacement Parts - MVP Plus™ Hydraulic Unit UltraMount®

Dia. No.	Part No.	Description
1	1-W21727-2	OEM - Breather 3/8 NPT Kit
2	1-W44327-2	OEM - Reservoir Kit (Ultra Plow Only, MVP PLUS)
3	1-W66607	OEM - Machine Screw
4	1-W92079	OEM - Plug Square 3/8"
6	1-W73897	OEM - Magnet
7	1-W90080	OEM - Hex Head Cap Screw 5/16-18 X 2-1/2" Grade 5
8	1-W44328-1	OEM - Pump Kit
9	1-W56789	OEM - Suction Filter
11	1-W66515	OEM - Pump Shaft Seal
12	W21500	4-1/2" Motor - Tang Shaft
13	W49230	Coil With Spade Terminals
14	1-W44332	OEM - Valve SVC08-20 With Nut
15	W49227	Cartridge 20 With Jam Nut - (Lowers, S1)
15	W49227C	Cartridge 20 With Jam Nut, C-Pk
16	1-W44336	OEM - Valve SF08-2015 With Nut
17	1-W44369	OEM - Valve Lock Ring With Screw
18	1-W63943	OEM - 8-18 X 3/8" Tapping Screw
19	1-W56662	OEM - Quill Assembly FS/IA Partial Thread
19	1-W48517	OEM - Quill
20	1-W44344	OEM - 7/16-20 Hex SO O-Ring Boss Plug
21	1-W49138K	OEM - Relief Valve Kit - 2 pcs
22	1-W44338	OEM - Relief Valve Kit 2 pcs
23	1-W44334-1	OEM - Check Valve CV08-20
24	1-W92960	OEM - Hex Socket Head O-Ring

Dia. No.	Part No.	Description
26	1-W29081	OEM - 1/4-20 X 3" Socket Cap Screw
27	1-W44352	OEM - Top Retainer Ring
28	1-W44366	OEM - Bottom Retainer Ring
29	1-W44326	OEM - 1/4-20X1/2 6 Lobe
36	1-W61536	OEM - Cable Tie - Long
37	1-W44325	OEM - Cover Assy
62	W44347	Hose 1/4" X 12" w/ FJIC Ends
64	F56599	Hose 1/4" X 36" w/ FJIC Ends
64	1-W56599	OEM - Hose 1/4 X 36 W/Fjic Ends
65	W56616	Hose 1/4" X 42" w/ FJIC Ends
67	W44351	Hose 3/8" X 38" w/ FJIC Ends
68	W44350	Hose 3/8" X 45" w/ FJIC Ends
72	W56615	90 Degree Elbow, 6M O-Ring
73	W64212-1	90 Degree Elbow, Long 6M O-Ring
81	1-W64650	OEM - Split Bearing Kit - 1-1/2"
82	1-W56537	OEM - Spacer
83	W56556	Seal Kit, Cylinder 1-1/2" (Old Style)
84	1-W48985	OEM - Gland Nut And Seal Assembly (New Style)
85	1-W44342	OEM - Seal Kit 1-3/4" Dia Ram
N/I	W56538K	Lift Cylinder 1-1/2" X 8"
N/I	1-W44341	OEM - Ram Assy 1-3/4" X 11 Dia
N/I	1-W29099	OEM - 1/4-20X1/4 Hex Washer Head
N/I	1-W44355	OEM - 1/4-20X5/8 Hex Washer Head
N/I	W49258	Seal Kit: Cartridge 20
N/I	W49259	Seal Kit: Cartridge 30, 31, 33, 40, 43

SEAL KIT 1-W56657-4 (UNIVERSAL KIT - NOT ALL CONTENTS ARE USED IN STRAIGHT BLADE APPLICATIONS.)

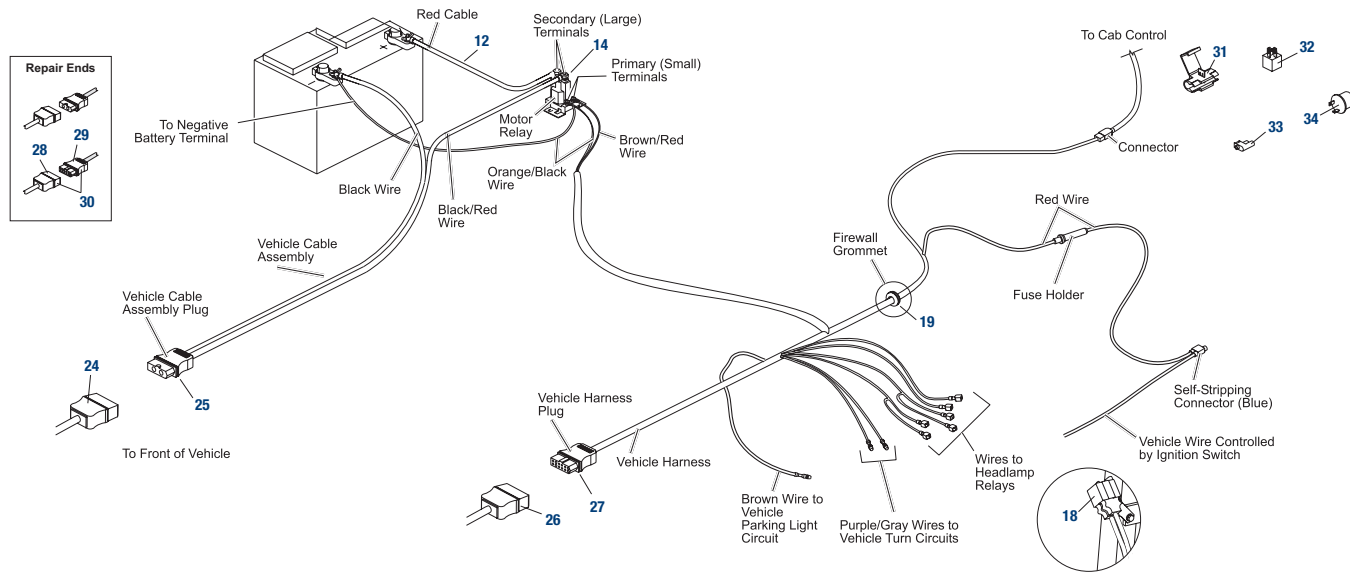
Dia. No.	Part No.	Description
-	1-W56657-4	Clearance Item - OEM - Master O-Ring Kit EZ V & Straight Blade
*5	1-W66519	OEM - O-Ring 2-250
*10	1-W56274	OEM - O-Ring -013
*25	1-W29077	OEM - O-Ring 110
*86	1-W26784	OEM - O-RING -903
*N/I	1-W25622	OEM - O-Ring -006
*N/I	W55371	O-Ring 1/16" X 5/16" OD
*N/I	1-W25731	OEM - O-Ring -010
*N/I	1-W56315	OEM - Back Up Ring-006
*N/I	1-W44343	OEM - O-Ring -904

Dia. No.	Part No.	Description
*N/I	1-W48239	OEM - O-Ring -106
*N/I	1-W48240	OEM - Backup Ring -106
N/I	1-W56776	OEM - O-Ring -008 Red
N/I	1-W66628	OEM - Back Up Ring-008
N/I	1-W66627	OEM - O-Ring - 011
N/I	W25730	O-Ring, 1/16 X 1/2" OD
N/I	W56416	OEM - O-Ring - 014
N/I	1-W56569	OEM - O-Ring -906
N/I	1-W66028	OEM - O-Ring - 226

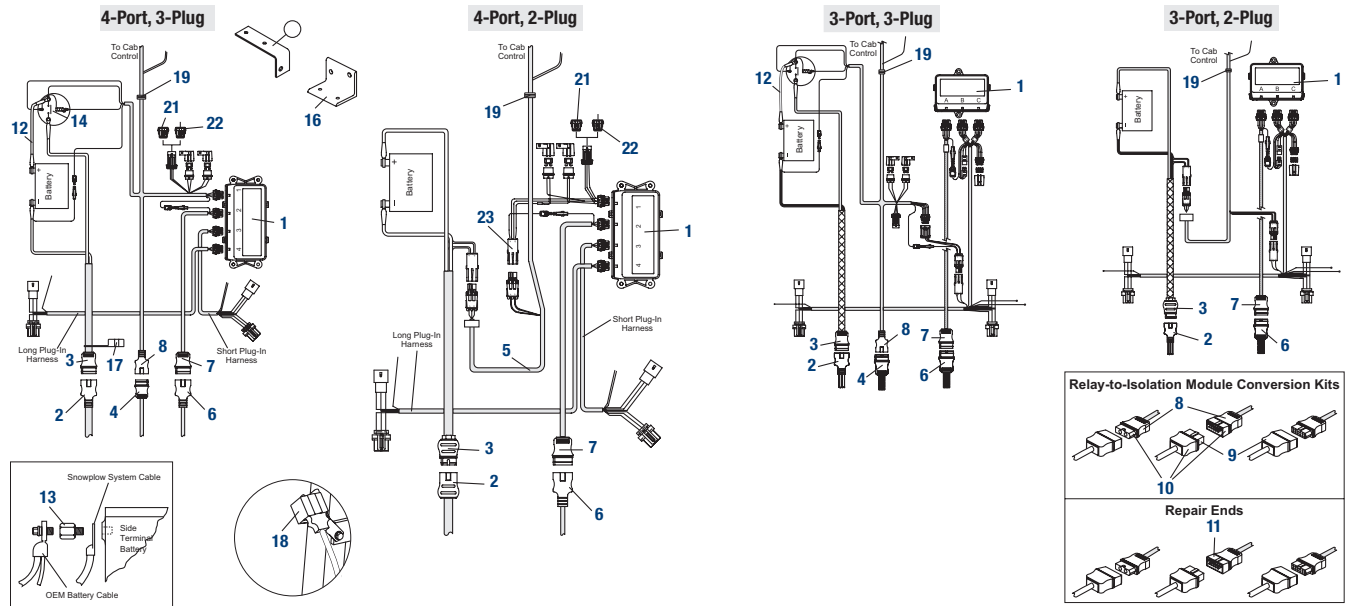
WESTERN® Snow Plow Replacement Parts - Light & Wiring Schematic

RELAY SYSTEM

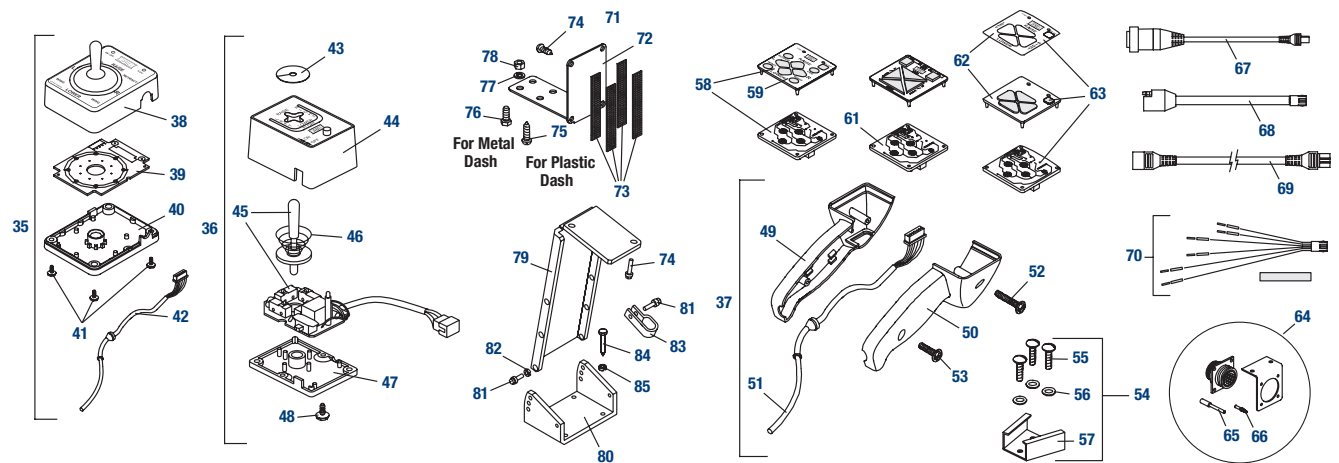
WESTERN®



ISOLATION SYSTEM



WESTERN CONTROL BREAKDOWNS



WESTERN® Snow Plow Replacement Parts - Light & Wiring Schematic

WESTERN®

RELAY SYSTEM

Dia. No.	Part No.	Description
12	W22511	Battery Cable 22" Red
12	1-W20681	OEM - Battery Cable 50"
12	W25635	Battery Cable 60" Red
12	1-W21563	OEM - Battery Cable 90" Red
14	W56131	Heavy Duty Motor Solenoid
14	1-W56131K	OEM - Motor Relay Kit
14	F5794K	Solenoid Motor Relay
14	F5794K-H	Solenoid Motor Relay - Header Tagged
17	1-W61548K	OEM - Plug Cover Kit
18	1-W61246	OEM - Cable Boot (Uni Mount)
19	1-W66130	OEM - Rubber Grommet
24	1-W21294	OEM - Plow Cable Assembly
24	1-W66624	OEM - Cable Boot (Uni Mount)
25	1-W61169	OEM - Vehicle Battery Cable - Relay System
25	1-W66623	OEM - Vehicle Battery Cable
26	1-W61558	OEM - 12 - Pin Uni Plow Side Harness Kit
26	1-W61438	OEM - Plow Harness Kit 9-Pin
26	1-W62503	OEM - 7-Pin Plow Harness Kit

Dia. No.	Part No.	Description
26	1-W66611-1	OEM - 12 - Pin MVP Plow Side Harness
27	1-W61437	OEM - Uni Vehicle Harness Kit 9 - Pin
27	1-W61557	OEM - Vehicle Harness Kit 12Pin
27	1-W62502	OEM - 7-Pin Vehicle Harness Kit
27	1-W62512	OEM - 9 - Pin Long, Vehicle Harness Kit
27	1-W62522	OEM - 12- Pin Long, Vehicle Side Harness Kit
27	1-W66610	OEM - 12 - Pin Vehicle Harness Kit, V Plow
28	W49317	9 - Pin Plow Harness Repair Kit
28	W49317H	Plow Harness Repair Kit 9-Pin - Header Tagged
28*	1-W49319	OEM - Plow Plug Kit 12-Pin
29	W49308	9 - Pin Vehicle Harness Repair Kit
29	W49308H	Vehicle Harness Repair Kit 9-Pin - Header Tagged
29	1-W49310	OEM - 12 - Pin Truck Side MVP Repair Connector Kit
30	1-W49366K	OEM 9 - Pin Harness End Repair Kit (Truck / Plow Side)
30	1-W49367K	OEM - 12 Pin Harness Repair End Kit - T/S & P/S
31	1-W59114	OEM - Self Strip Wire Connector
32	1-W61535	OEM - Relay - Single
33	1-W59224	OEM - Bullet Receptacle
34	1-W60109	OEM - Flasher HD

ISOLATION SYSTEM

Dia. No.	Part No.	Description
1	1-W26400	OEM - Isolation Module - White Label (Ford/Dodge/Chevy)
1	1-W27781	OEM - Isolation Module -Green Label (Chevy Only)
1	1-W29070-1	OEM - Module 3 Port -DRL/NON-DRL
1	1-W29760-1	OEM - 3 Port Module, Soft Start
2	1-W21294	OEM - Plow Cable Assembly
2	1-W42015	OEM - Cable Assembly Plow
3	1-W61169	OEM - Vehicle Battery Cable - Relay System
3	1-W63411	OEM - Vehicle Battery Cable - Isolation System
3	1-W42014	OEM - Cable Assembly Vehicle
4	1-W26358	OEM - 7-Pin Plow Side Control Harness - MVP
4	1-W26359	OEM - Plow Control Harness 3-Pin
5	1-W28587	OEM - Control Harness Vehicle
6	1-W26347	OEM - Plow Side 11-Pin Light Harness (For 64100 Lights)
6	1-W28213W	OEM - Harness Kit Plow Lighting H13 (For 28800 Lights)
7	1-W26357	OEM - Vehicle Lighting Harness 11 Pin
8	1-W26345	OEM - Vehicle Control Harness 3-Pin
8	1-W26346	OEM - 7-Pin Vehicle Side Control Harness - MVP
8	1-W26498	OEM - Vehicle Control Harness
8	1-W28055	OEM - 3-Pin Vehicle Side Conversion Kit, Straight Blade
8	1-W28056	OEM - 7-Pin Vehicle Side Conversion Kit, V Blade
9	1-W28053	OEM - Existing Plow Side Relay to IM

Dia. No.	Part No.	Description
9	1-W28054	OEM - Existing Plow Side Relay to IM
10	1-W26431	OEM - Isolation Module Conv Kit
10	1-W28052	OEM - Relay Hydraulic Box to IM
11	1-W27063W	OEM - 3 - Pin Harness End Repair Kit (Truck Side)
11	1-W27067W	OEM - 7-Pin Vehicle Control
12	W22511	Battery Cable 22" Red
12	1-W20681	OEM - Battery Cable 50"
12	W25635	Battery Cable 60" Red
12	1-W21563	OEM - Battery Cable 90" Red
13	W22381	Battery Adapter
14	W56131	Heavy Duty Motor Solenoid
14	1-W56131K	OEM - Motor Relay Kit
14	F5794K	Solenoid Motor Relay
14	F5794K-H	Solenoid Motor Relay - Header Tagged
15	1-W64128	OEM - Bracket Motor Relay
16	1-W20679	OEM - Motor Relay Mounting Bracket
17	1-W61548K	OEM - Plug Cover Kit
18	1-W61246	OEM - Cable Boot (Uni Mount)
19	1-W66130	OEM - Rubber Grommet
21	1-W26420	OEM - Dust Cover
22	1-W26421	OEM - Configuration Plug 3 Position
23	1-W44658	OEM - Harness Adapter 4 Port to 28587 Control Harness

CONTROLLERS AND THEIR BREAKDOWNS

Dia. No.	Part No.	Description
35	1-W96369	OEM - MVP Joystick
36	1-W56369	OEM - Solenoid Control White Plug (6 Pin)
36	1-W56285	OEM - Solenoid Control Kit - SAE
37	1-W56462	OEM - Hand-Held Control 6-Pin
37	1-W96462	OEM - Control Kit MVP Hand-Held - 10 Pins
38	1-W96368	OEM - Cover Assembly With Actuator Spring & Label (96400)
39	1-W96367	OEM - 10-Pin V Plow PC Board (96700, 96600, 96400, 96500, 96462, 96369 & 64294 Controller)
39	1-W96353	OEM - 4-Pin V Plow PC Board (96900 & 96800 Controller)
40	1-W96366	OEM - Bottom Housing Joystick
41	1-W96364	OEM - 4 X 3/8 Tapping Screw
42	1-W96365	OEM - 10-Pin Harness V Plow (96700, 96600, 96400, 96500, 96462, 96369 & 64294 Controller)
42	1-W96352	OEM - 4-Pin Harness V Plow (96900 & 96800 Controller)
43	1-W56283	OEM - Shield For Joy Stick Control
44	1-W49286	OEM - Body With Label & Lens
45	1-W49283	OEM - PC Board Molex Style 2 White
45	1-W49284	OEM - PC Board-SAE Style 2 Black
46	1-W55923	OEM - Spring - Conical
47	1-W56199	OEM - Base Joystick Control
48	1-W93153	OEM - 6-19 X 3/8" Tapping Screw
49	1-W96457	OEM - Control Body - Left
50	1-W96456	OEM - Control Body - Right
51	1-W96437	OEM - 6 - Pin, Harness HH Straight Blade (Coiled Cord)
51	1-W69280	OEM - 9-Button MVP PC Board With Harness
51	1-W96454	OEM - 9-Button (10-Pin) Harness
51	1-W96464	OEM - 4 - Pin, 9 Button Square Connector Harness
52	1-W93174	OEM - 8-18X1-1/4 Tapping Screw
53	1-W93173	OEM - 8-18X3/4 Tapping Screw
54	1-W64312	OEM - Parts Bag Control Bracket
55	1-W80135	OEM - 6-32X1 Tapping Screw
56	1-W91230	OEM - Lockwasher #6 Spring

Dia. No.	Part No.	Description
57	1-W56436	OEM - Control Bracket
58	1-W96460	OEM - 9-Button (10-Pin) Harness PC Board & Keypad
58	1-W49472	OEM - 4 - Pin, 9 - Button PC Board Keypad
59	1-W96461	OEM - 9-Button Keypad, Wideout, MVP & MVP Plus
61	1-W69280	OEM - 9-Button MVP PC Board With Harness
62	1-W96442	OEM - Keypad Only - Handheld - No Mode
63	1-W56472	OEM - PC Board Assembly W Keypad And Label
64	1-W56496	OEM - V-Plow Connector Bag
65	1-W66767	OEM - Pin Removal Tool Assy
66	1-W22123	OEM - Signal Contact (Pk of 10)
67	1-W66760K	OEM - V Plow Adapter Cable Kit
68	1-W62392	OEM - Harness Adapter White Plug - NOTE: Allows to plug new style joystick control with square white plug into old style rectangular black harness.
69	1-W61845	OEM - 4 Foot Control Harness
70	1-W27070	OEM - 6-Pin Molex Repair End Vehicle
71	1-W96363	OEM - Dash Bracket Parts Bag
72	1-W7718	OEM - Control Bracket
73	1-W49305K	OEM - Pro Grip Mount Kit
74	1-W93154K	OEM - #8 5/8" Cable Control Screws - 5 Pack
75	1-W90659	OEM - 12-14X3/4 Tapping Screw
76	1-W90461	OEM - Hex Cap Screw 1/4-20X3/4 G5
77	1-W91201	OEM - 1/4" SP LK Washer
78	1-W91411	OEM - Hex Nut 1/4-20 G5
79	1-W56308	OEM - Control Bracket
80	1-W56080	OEM - Dash Bracket - Chevy
81	1-W93157	OEM - 8-32 X 3/8" Tapping Screw
82	1-W91231	OEM - Lockwasher #8 Spring
83	1-W55381	OEM - Cable Clamp
84	1-W90388	OEM - 10-16X1 Tapping Screw
85	1-W91242	OEM - Lockwasher #10 Spring

WESTERN® Snow Plow Replacement Parts - Hoses, Fittings, Valves, Coils, Assemblies, & Controls

WESTERN®

HOSES

Part No.	Description
W56765	Hose 1/4" X 8" w/ FJIC Ends
W44347	Hose 1/4" X 12" w/ FJIC Ends
W56617	Hose 1/4" X 16" w/ FJIC Ends
1-W56617	OEM - Hose, 1/4" X 16" With FJIC Ends
1-W56224K	OEM - 1/4X18 Pressure Hose Kit
W56598	Hose 1/4" X 22" w/ FJIC Ends

Part No.	Description
1-W64625	OEM - Hose, 1/4" X 36" With FJIC Ends
W56831-1	Hose 1/4" X 36" w/ FJIC Ends
W55020	Pressure Hose 1/4 Inch X 38 Inch
W56616	Hose 1/4" X 42" w/ FJIC Ends
1-W56616	OEM - Hose, 1/4" X 42" With FJIC Ends
W44351	Hose 3/8" X 38" w/ FJIC Ends
W44350	Hose 3/8" X 45" w/ FJIC Ends

FITTINGS

Part No.	Description
W92208	Street Elbow Special
W92210	Street Elbow - Small
1-W21726	OEM - 3/8" NPT 90 Degree Street Elbow
1-W92190K	OEM - Swivel Hose Fitting 45 Degree
W56615	90 Degree Elbow, 6M O-Ring

Part No.	Description
W25519	Hex Nipple 1/4"
W64212-1	90 Degree Elbow, Long 6M O-Ring
W56684-1	Flare (Male) to 1/4" NPTF (Male) Union
W92278	Male Elbow 1/4" X 90 Degree
W92275	Male Elbow - 1/4 X 90 Degree

VALVES, COILS & ASSEMBLIES

Part No.	Description
1-W44332	OEM - Valve SVCV08-20 With Nut
1-W44336	OEM - Valve SF08-2015 With Nut
W49227	Cartridge 20 With Jam Nut - (Lowers, S1)
W49228	Cartridge 30 With Jam Nut - (Right & Left, S2)

Part No.	Description
W49229	Cartridge 40 With Jam Nut - (Left & Raise, S3)
W66608K	Cartridge 31 With Jam Nut
W66783W	Cartridge 43 w/ Nut
W49230	Coil With Spade Terminals

CONTROLLERS



1-W56462



1-W96462



U6902



1-W56285
Black Plug



1-W56369
White Plug

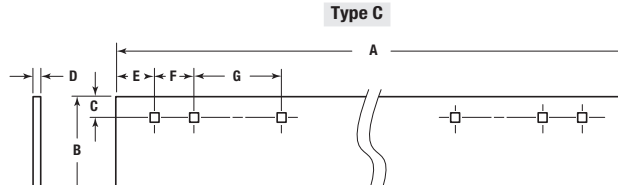


1-W56018

Part No.	Description
1-W56462	OEM - Hand-Held Control 6-Pin
1-W96462	OEM - Control Kit MVP Hand-Held - 10 Pins
U6902	Western Universal Hand Held Control Kit - Straight Plows ONLY
1-W56285	OEM - Solenoid Control Kit - SAE
1-W56369	OEM - Solenoid Control White Plug (6 Pin)
1-W56018	OEM - Joy Stick Control Assembly With Cables

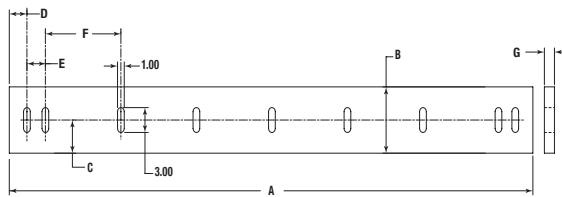
WESTERN® Snow Plow Replacement Parts - Edges, Cylinders, & Packing

STEEL CUTTING EDGES



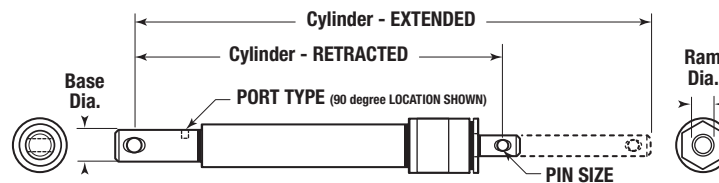
Part No.	OEM No.	Bolt Kit	Description	Type	A	B	C	Bolt Size	No. Of Holes	D	E	F	G
W49066	49066	M08184	3/8" X 6" X 78" Edge	C	78"	6"	1"	1/2"	8	3/8"	2.63"	8.25"	11.25"
W58812	58812	M08184	3/8" X 6" X 78" Edge	C	78"	6"	3"	1/2"	8	3/8"	2.63"	8.25"	11.25"
W58813	58813	M08184	3/8" X 6" X 84" Edge	C	84"	6"	3"	1/2"	8	3/8"	2.63"	11.25"	11.25"
W49070	49070	M08184	3/8" X 6" X 84" Edge	C	84"	6"	1"	1/2"	8	3/8"	2.63"	11.25"	11.25"
W49350	49350	M08184	1/2" X 6" X 90" Edge	C	90"	6"	2.06"	1/2"	8	1/2"	2.63"	14.25"	11.25"
W64775	64775	M08318	1/2" X 6" X 90" Edge	C	90"	6"	1.25"	5/8" Slotted	10	1/2"	2.50"	3.00"	7.00"
W49088	49088	M08184	3/8" X 6" X 90" Edge	C	90"	6"	1.25"	1/2"	8	3/8"	2.63"	14.25"	11.25"
W49346	49346	M08184	1/2" X 6" X 90" Edge	C	90"	6"	1.25"	1/2"	8	1/2"	2.63"	14.25"	11.25"
W58814	58814	M08184	3/8" X 6" X 90" Edge	C	90"	6"	3"	1/2"	8	3/8"	2.63"	14.25"	11.25"
W49312	49312	M08184	3/8" X 6" X 90" Edge	C	90"	6"	2.06"	1/2"	8	3/8"	2.63"	14.25"	11.25"
W58815	58815	M08184	3/8" X 6" X 96" Edge	C	96"	6"	3"	1/2"	8	3/8"	2.50"	13"	13"
W49089	49089	M08184	1/2" X 6" X 96" Edge	C	96"	6"	1"	1/2"	8	1/2"	2.50"	13"	13"
W63980	63980	M08318	1/2" X 6" X 96" Edge	C	96"	6"	1.25"	5/8" Slotted	10	1/2"	2.50"	3.00"	10.00"
W63985	63985	M08318	1/2" X 6" X 102" Edge	C	102"	6"	1.25"	5/8" Slotted	10	1/2"	2.50"	3.00"	13.00"
W49348	49348	M08184	1/2" X 6" X 102" Edge	C	102"	6"	1.25"	1/2"	8	1/2"	2.50"	16.00"	13.00"
W58816	58816	M08184	1/2" X 6" X 102" Edge	C	102"	6"	3"	1/2"	8	1/2"	2.50"	16.00"	13.00"
W58817	58817	M08318	1/2" X 6" X 108" Edge	C	108"	6"	1.5"	5/8"	11	1/2"	3.00"	3.00"	12.00"
W63990	63990	M08318	1/2" X 6" X 108" Edge	C	108"	6"	1.25"	5/8" Slotted	10	1/2"	2.50"	3.00"	16.00"
W49349	49349	B50132	1/2" X 6" X 102" Edge	C	108"	6"	1.25"	1/2"	10	1/2"	2.50"	3.00"	16.00"
W58818	58818	M08318	1/2" X 6" X 120" Edge	C	120"	6"	1.5"	5/8"	12	1/2"	3.00"	3.00"	12.00"
W58818HD	-	M08318	5/8" X 6" X 120" Edge	C	120"	6"	1.5"	5/8"	12	5/8"	3.00"	3.00"	12.00"

RUBBER CUTTING EDGES



Part No.	A	B	C	No. Of Slots	D	E	F	G
W60826-1	78"	6"	3"	8	2.625"	8.25"	11.25"	1"
W60826-2	84"	6"	3"	8	2.625"	8.25"	11.25"	1"
W60826-3	90"	6"	4"	8	2.625"	14"	11.25"	1.50"
W60829-1	96"	6"	5"	10	1.50"	3"	12.4375"	1.50"
W60829-2	102"	6"	4"	8	2.50"	16"	13"	1.50"
W60832-1	108"	10"	5"	11	3"	3"	12"	1.50"
W60832-3	120"	10"	5"	12	3"	3"	12"	1.50"

CYLINDERS



Part No.	OEM No.	Bore X Stroke	Acting	Retracted	Extended	Ram Dia.	Base Dia.	Pin Size	Port Type	Port Location (Degree)
W25200	25200	1-1/2" X 6"	Single	13"	19"	1-1/2"	1-3/4"	3/4"	1/4" NPT	Inline
W25209	25209	1-1/2" X 10"	Single	17"	27"	1-1/2"	1-3/4"	1"	1/4" NPT	Inline
W25210	25210	2" X 6"	Single	13-1/4"	19-1/4"	1-7/16"	1-1/2"	3/4"	1/4" NPT	Inline
W25878	25878	2" X 16"	Single	23-1/4"	39-1/4"	2"	2-1/4"	1"	1/4" NPT	Inline
W56102	56102	1-1/2" X 10"	Single	17-1/4"	27-1/4"	1-1/2"	1-3/4"	3/4"	1/4" NPT	90°
W56538K	56538K	1-1/2" X 8"	Single	15-1/4"	23-1/4"	1-1/2"	1-3/4"	3/4"	# 6 SAE	90°
W56614	56614	1-1/2" X 10"	Single	17"	27"	1-1/2"	1-3/4"	3/4"	# 6 SAE	90°
W56709W	56709	2" X 10"	Double	17-5/16"	27-5/16"	1-1/2"	2"	1"	# 6 SAE	90°
W56750	56750	2" X 11"	Double	18-1/4"	29-1/4"	1-1/2"	2"	1"	# 6 SAE	90°
W64148	64148	1-1/2" x 12"	Single	19-1/2"	31-1/2"	1-1/2"	1-3/4"	1"	# 6 SAE	90°

PACKING

Part No.	Description	Part No.	Description
W25205	1-1/2 Inch Packing Set With Wiper	1-W27788-1	OEM - Seal Kit 1-1/2 DA Ram
W25215	2" Packing Set With Wiper	1-W49498	OEM - Piston & Gland Nut 2" Dia
W25944	1-1/2" Packing Nut Only	1-W44342	OEM - Seal Kit 1-3/4 Da Ram
W25948	Packing Nut, 2"	1-W25948	OEM - Packing Nut 2"

WESTERN®

WESTERN® Snow Plow Replacement Parts - Motors & Solenoids

WESTERN®

MOTORS



W56133

Details

- Rotation: Clockwise
- Overall Length: 8.268 Inches
- Shaft Outside Dia: .626 Inches
- Shaft Style: Slotted
- Terminal 1 Size: 5/16-24

The W56133 Replaces - Buyers®: 13036325, 1306415; Fisher®: A5819; Johnson Electric®: MM18896; Lester®: 10725, 10757, 160-841A; Prestolite®: 46-2473, 46-2584, 46-3618, 46-3938, MKW-4009, MUE-6103, MUE-6103S, MUE6111, MUE6111S, MUE-6206, MUE-6206AS, MUE-7001; Western®: 50133, 54133, 56058, 56062, 56133, 56398, 56410, 58058, 58082

Part No.	Description
W56133	4-1/2" Motor - Cone Shaped



W25556

Details

- Rotation: Clockwise
- Overall Length: 8.268 Inches
- Shaft Outside Dia: .626 Inches
- Shaft Style: Slotted
- Terminal 1 Size: 5/16-24

The W25556 Replaces- Buyers®: 13036320; Lester®: 160-877, 6067; Prestolite®: 46-806, MEZ7002; Western®: 25556, 25556A

Part No.	Description
W25556	4-1/2" Motor - Flat Faced



W21500

Details

- Rotation: Clockwise
- Overall Length: 7.063 Inches
- Shaft Outside Dia: .625 Inches
- Shaft Style: Slotted
- Terminal 1 Size: 5/16-24
- Terminal 2 Size: 5/16-24

The W21500 Replaces- Buyers®: 13036326; Lester®: 10788; Meyer®: 9-130450099 Bosch; Prestolite®: 46-4175, MEU6202A, MEU6202AS, MEU6306; Western®: 21500, 56363

Part No.	Description
W21500	4-1/2" Motor - Tang Shaft



F27753

Details

- Rotation: Clockwise
- Overall Length: 8.268 Inches
- Shaft Outside Dia: .626 Inches
- Shaft Style: Slotted
- Terminal 1 Size: 5/16-24

The F27753 Replaces- Fisher®: 27753; Lester®: 10770; Western®: 27753, F00MM0804

Part No.	Description
F27753	Motor 12V - Dual Post - Clock Wise



F9524

Details

- Rotation: Bi-Directional
- Overall Length: 10.118 Inches
- Shaft Outside Dia: .500 Inches
- Shaft Style: 7/8
- Terminal 1 Size: 10-32
- Terminal 2 Size: 10-32

The F9524 Replaces- Fisher®: F9524, F9524A; Lester®: 106-319, 10761; Western®: 064953, 3D1220182, 3D12201828, 62061, 6541

Part No.	Description
F9524	Spreader Motor - 12V Two Post - Bi Directional

SOLENOIDS

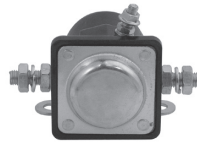


1-W56131K

Details

- 12V
- 4 Post
- Round Heavy Duty Solenoid
- Application: Western
- Terminal 1 Size: 10-32

Part No.	Description
1-W56131K	OEM - Motor Relay Kit

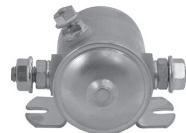


W25634

Details

- 12V
- 3 Post
- Grounded Solenoid
- For Cable Controlled Pumps
- Application: Western

Part No.	Description
W25634	Standard Motor Solenoid



W56131

Details

- 12V
- 3 Post
- Continuous Heavy Duty Solenoid
- Application: Western & Fisher

Part No.	Description
W56131	Heavy Duty Motor Solenoid



F5794K

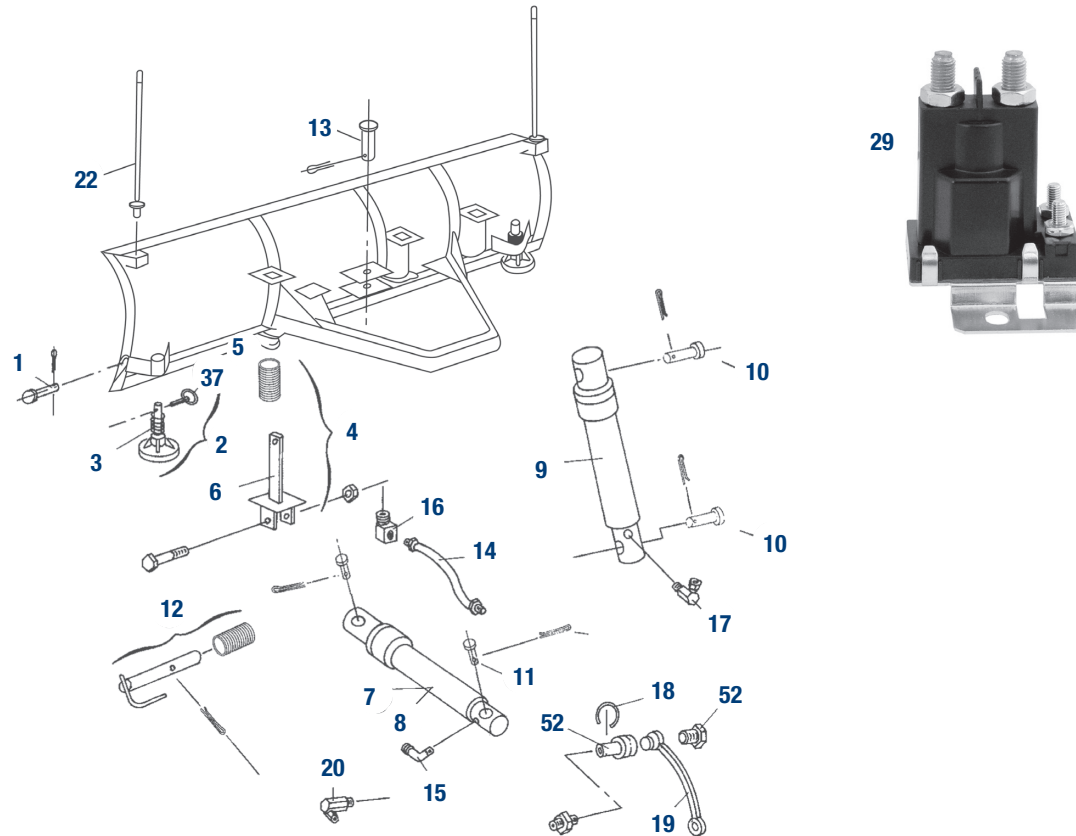
Details

- 12V
- 4 Post
- Intermittent
- Tower Solenoid
- Application: Western & Fisher

Part No.	Description
F5794K	Solenoid Motor Relay
F5794K-H	Solenoid Motor Relay - Header Tagged

FISHER® Snow Plow Replacement Parts

FISHER®



Dia. No.	Part No.	Description
1	F4289	Machine Pin Assembly
2	FA5516	Anti-Wear Shoe Assembly 6 Inch
3	F307	Shoe Spacer - Ea
4	FA3770	Trip Spring Assembly
5	F305	Fisher Trip Spring
6	F6631	Spring Bar Only
7	FA5166	Cylinder 2" X 16"
8	FA3660	Angle Cylinder 1-1/2 Inch X 12 Inch
9	FA318	Lift Cyl 1-1/2" X 10"
9	FA3463	Cyl Assy 2" X 10"
10	F6814	Clevis Pin 1 Inch X 3-1/4 Inch
11	F7903K	Cylinder Pin With Cotter 1 Inch X 4 Inch
12	F6920	Connecting Pin Assembly
13	F6817	Pivot Pin
14	F4424	Angle Hose 1/4 Inch X 36 Inch
15	F2780	Brass Street Elbow 1/4 Inch X 90 Degree
16	F765	Brass Bar Elbow 1/4
17	F319	Swivel 1/4 Inch X 90 Degree
18	F4485	Coupler Snap Ring 7/8
19	F1588	Dust Plug - Male

Dia. No.	Part No.	Description
20	F2315	90 Degree Swivel Adapter
22	FA5108	Black Blade Guide-Pair
22	FA5108H	Black Blade Guide - Pair, Header Tagged
29	F5794K	Solenoid Motor Relay
29	F5794K-H	Solenoid Motor Relay, Header Tagged
37	W93010	Linch Pin, 7/16 Inch - Ea
37	W93010C	Linch Pin, 7/16" - 2 Ea, C-Pk
52	M15072	1/4 Inch "Ball" Style Quick Coupler
52	M15072C	1/4" "Ball" Style Quick Coupler - C-Pk
N/I	F5824	Base Lug With O -Ring
N/I	FA4488-B	Single Lever Cable 40 Inch
N/I	F6578	Seal-Motor To Pump (SEHP)
N/I	F5798	Ground Cable 60 Inch
N/I	F2504	Pressure Hose, 60 Inch
N/I	F2707	Pressure Hose, 26 Inch
N/I	F2551	Lift Hose, 16 Inch
N/I	F5763	Packing Nut, 1-1/2 Inch
N/I	FA4489	Clearance - Single Lever Cable 84
N/I	F7904K	Clearance - Lift Cyl Pin Assy

FISHER® Snow Plow Replacement Parts

FISHER®

REPLACEMENT CONNECTOR KITS



Part No. Description

*W49317	9 - Pin Plow Harness Repair Kit
*W49308	9 - Pin Vehicle Harness Repair Kit

Note: *Can be used for both FISHER® and WESTERN®

CYLINDERS



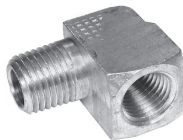
Part No. Description

F56603K	Lift Cylinder 1-1/2" X 12"
F56718	Lift Cylinder 1-1/2" X 6"
FA318	Clearance - Lift Cyl 1-1/2" X 10"
FA3463	Clearance - Cyl Assy 2" X 10"
FA3660	Angle Cylinder 1-1/2" X 12"
FA5166	Clearance - Cyl 2" X 16"

FITTINGS



F2780



F765



F319

Part No. Description

F2780	Brass Street Elbow 1/4" X 90°
F765	Brass Bar Elbow 1/4"
F319	Swivel 1/4" X 90°
F44361	90 Degree Long Elbow - 6M O-Ring
F5804	Hex Nipple 1/4"
F2315	90 Degree Swivel Adapter
F3058	Adapter, 1/4" NPT to 9/16" O-Ring
F56275	90-1/2 Straight Thread Elbow
F20316K	9/16" O-Ring to 1/4" NPFT 90-1/2 Elbow
F56723	9/16" O-Ring to 1/4" NPFT/NPSW 90-1/2 Elbow
F56724K	9/16" O-Ring to 1/4" NPFT/NPSW 45-1/2 Elbow
F56726	45-1/2 Elbow - 9/16" O-Ring to JIC 45-1/2 Elbow

CAB COMMAND HAND-HELD CONTROLS

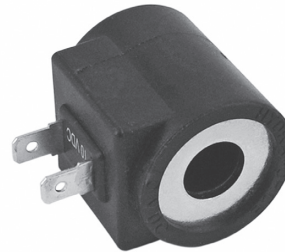


Part No. Description

*U6902	Univ Hand Held Ctrl Kit - Straight Only
--------	---

Note: *Can be used for both FISHER® and WESTERN®

COIL SPADE TERMINAL



Part No. Description

*W49230	Coil With Spade Terminals
---------	---------------------------

Note: *Can be used for both FISHER® and WESTERN®

CARTRIDGES



Part No. Description

*W49227	Cartridge 20 With Jam Nut - (Lowers, S1)
*W49228	Cartridge 30 W/Jam Nut - (Rgt & Lft, S2)
*W66608K	Cartridge 31 With Jam Nut
*W49229	Cartridge 40 W/Jam Nut - (Lft & Raise, S3)
*W66783W	Cartridge 43 w/ Nut

Note: *Can be used for both FISHER® and WESTERN®

FISHER® Snow Plow Replacement Parts - Motors, Solenoids, & Hoses

FISHER®

MOTORS



F27753

Details

- Rotation: Clockwise
- Overall Length: 8.268 Inches
- Shaft Outside Dia: .626 Inches
- Shaft Style: Slotted
- Terminal 1 Size: 5/16-24

The F27753 Replaces- Fisher®: 27753; Lester©: 10770;
Western®: 27753, F00MM0804

Part No.	Description
F27753	Motor 12V - Dual Post - Counter Clock Wise



F9524

Details

- Rotation: Bi-Directional
- Overall Length: 10.118 Inches
- Shaft Outside Dia: .500 Inches
- Shaft Style: 7/8
- Terminal 1 Size: 10-32
- Terminal 2 Size: 10-32

The F9524 Replaces- Fisher®: F9524, F9524A; Lester©: 106-319, 10761;
Western®: 064953, 3D1220182, 3D12201828, 62061, 6541

Part No.	Description
F9524	Spreader Motor - 12V Two Post - Bi Directional

SOLENOIDS

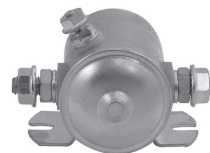


F5794K

Details

- 12V
- 4 Post
- Tower Solenoid
- Intermittent
- Application: Western & Fisher

Part No.	Description
F5794K	Solenoid Motor Relay
F5794K-H	Solenoid Motor Relay, Header Tagged



W56131

Details

- 12V
- 3 Post
- Continuous Heavy Duty Solenoid
- Application: Western & Fisher

Part No.	Description
W56131	Heavy Duty Motor Solenoid

HOSES (WITHOUT SWIVEL)



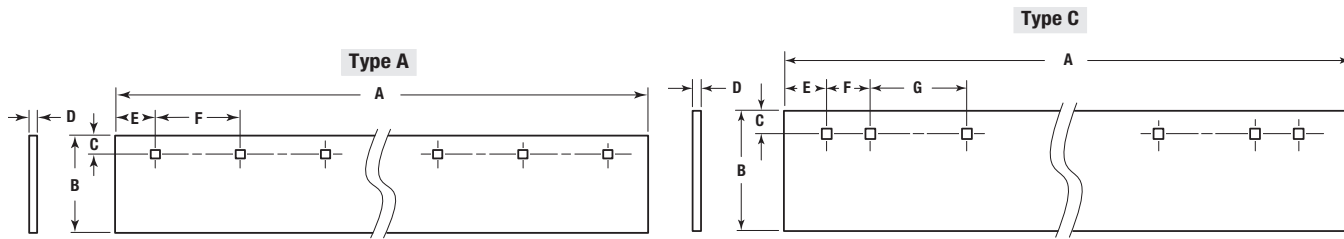
Part No.	Description
F2551	Lift Hose, 16 Inch
W56598	Hose 1/4 Inch X 22 Inch w/ FJIC Ends
F2707	Pressure Hose, 26 Inch
F56710	Hose 1/4 Inch X 32 Inch w/ FJIC Ends

Part No.	Description
F4424	Angle Hose 1/4 Inch X 36 Inch
F56599	Hose 1/4 Inch X 36 Inch w/ FJIC Ends
F56591	Hose 1/4 Inch X 42 Inch w/ FJIC Ends
F2504	Pressure Hose, 60 Inch

FISHER® Snow Plow Replacement Parts - Edges, Cylinders, Packing & Nuts

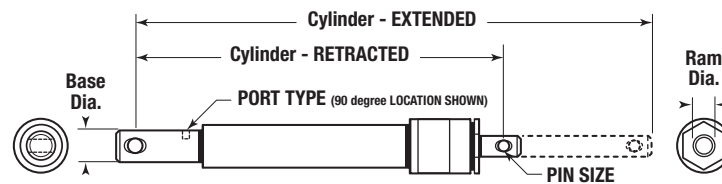
EDGES

FISHER®



Part No.	OEM No.	Bolt Kit	Description	Type	A	B	C	Bolt Size	No. Of Holes	D	E	F	G
F5532	5532/6597	M08184	3/8" X 6" X 90" Edge	A	90"	6"	1.25"	1/2"	8	3/8"	1.44"	12.44"	
F50678	50678/50625	M08184	1/2" X 6" X 90" Edge	A	90"	6"	1.25"	1/2"	8	1/2"	1.50"	12.43"	
F5533	5533/6598	M08184	1/2" X 6" X 96" Edge	A	96"	6"	1.25"	1/2"	8	1/2"	4.47"	12.44"	
F5532HD	-	M08184	5/8" X 6" X 90" Edge	C	90"	6"	1.25"	1/2"	8	5/8"	1.44"	12.44"	12.44"
F28575	28575/28545	M08318	1/2" X 6" X 90" Edge	C	90"	6"	3.00"	5/8"	10	1/2"	1.50"	3.00"	9.43"
F5533HD	-	M08184	5/8" X 6" X 96" Edge	C	96"	6"	1.25"	1/2"	8	5/8"	4.47"	12.44"	12.44"
F27580	27580/27426	M08318	1/2" X 6" X 96" Edge	C	96"	6"	3.00"	5/8"	10	1/2"	1.50"	3.00"	12.43"
F26460	26460/26652	M08184	1/2" X 6" X 102" Edge	C	102"	6"	1.25"	1/2"	8	1/2"	2.50"	16.00"	13.00"
F27585	27585/28391	M08318	1/2" X 6" X 102" Edge	C	102"	6"	3.00"	5/8"	10	1/2"	2.50"	3.00"	13.00"
F5534	5534/6599	M08318	1/2" X 6" X 108" Edge	C	108"	6"	1.25"	5/8"	11	1/2"	3.00"	3.00"	12.00"
F5534HD	-	M08318	5/8" X 6" X 108" Edge	C	108"	6"	1.25"	5/8"	11	5/8"	3.00"	3.00"	12.00"
F27590	27590/27427	M08318	1/2" X 6" X 108" Edge	C	108"	6"	3.00"	5/8"	11	1/2"	3.00"	3.00"	12.00"
F3507	3507/7082	M08318	1/2" X 6" X 120" Edge	C	120"	6"	1.50"	5/8"	12	1/2"	3.00"	3.00"	12.00"

CYLINDERS

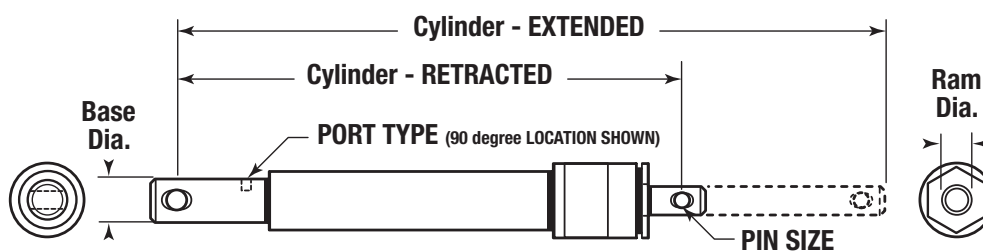


Part No.	OEM No.	Bore X Stroke	Acting	Retracted	Extended	Ram Dia.	Base Dia.	Pin Size	Port Type	Port Location (Degree)
F56603K	56603K	1-1/2" X 12"	Single	19-1/2"	31-1/2"	1-1/2"	1-3/4"	1"	# 6 SAE	90°
F56718	56718	1-1/2" X 6"	Single	13-1/4"	19-1/4"	1-1/2"	1-3/4"	1"	# 6 SAE	Inline
FA318	A318/2011K	1-1/2" X 10"	Single	17-1/4"	27-1/4"	1-1/2"	1-3/4"	1"	1/4" NPT	Inline
FA3463	A3463	2" X 10"	Single	17-1/4"	28"	2"	2-1/8"	1"	1/4" NPT	Inline
FA3660	A3660/20117K	1-1/2" X 12"	Single	19-1/4"	31-1/4"	1-1/2"	1-3/4"	1"	1/4" NPT	90°
FA5166	A5166	2" X 16"	Single	23-1/4"	39-1/4"	2"	2-1/4"	1-1/4"	1/4" NPT	90°

PACKING & GLAND NUTS

Part No.	Description	Part No.	Description
F339K	Packing Set, 1-1/2 Inch	F5763	Packing Nut, 1-1/2 Inch
F3623	Packing Set, 2 Inch	F6998	Packing Nut, 2 Inch
		W56556	Seal Kit, Cylinder 1-1/2 Inch, O/S

Snow Plow Replacement Parts - Cylinders



BLIZZARD®

Part No.	OEM No.	Bore X Stroke	Acting	Retracted	Extended	Ram Dia.	Base Dia.	Pin Size	Port Type	Port Location (Degree)
B60029	B60029	2" X 10"	Single	17-1/4"	27-1/4"	1-3/4"	2-1/4"	3/4"	# 6 SAE	90
B60065	B60065	2" X 9-3/8"	Single	16-1/4"	25-5/8"	1-3/4"	2-1/4"	3/4"	# 6 SAE	90
B60207	B60207	1-3/4" X 18-7/16"	Double	24"	42-7/16"	1-1/8"	2-1/8"	5/8"	# 6 SAE	90
B60221	B60221	2-1/4" X 12"	Single	19"	31"	2"	2-5/8"	3/4"	# 6 SAE	90
B60236	B60236	2-1/2" X 4-5/8"	Double	16-3/4"	21-3/8"	1-1/4"	2-7/8"	5/8"	# 6 SAE	+/- 45
B60237	B60237	3-1/2" X 4-5/8"	Double	17-1/2"	22-1/8"	1-1/4"	3-3/8"	3/4"	# 6 SAE	+/- 45
B60255	B60255	3" X 4-5/8"	Double	17-1/2"	22-1/8"	1-1/4"	3-3/8"	3/4"	# 6 SAE	+/- 45
B60347	B60347	1-1/2" X 13-15/16"	Double	26-9/16"	40-1/2"	1"	1-7/8"	5/8"	# 6 SAE	90

BOSS®

Part No.	OEM No.	Bore X Stroke	Acting	Retracted	Extended	Ram Dia.	Base Dia.	Pin Size	Port Type	Port Location (Degree)
HYD1603	HYD01603	1-1/2" X 10"	Single	17"	27"	1-1/2"	2-3/8"	5/8"	3/8" NPT	Inline
HYD7013	HYD07013	1-1/8" X 10"	Single	17"	27"	1-7/16"	1-3/4"	5/8"	3/8" NPT	90
HYD8830	HYD08830	1/2" X 10"	Double	15-3/4"	25-3/4"	2-1/8"	2-1/8"	5/8"	# 6 SAE - Ram 1/4" NPT - Base	90 & 180

FISHER®

Part No.	OEM No.	Bore X Stroke	Acting	Retracted	Extended	Ram Dia.	Base Dia.	Pin Size	Port Type	Port Location (Degree)
F56603K	56603K	1-1/2" X 12"	Single	19-1/2"	31-1/2"	1-1/2"	1-3/4"	1"	# 6 SAE	90
F56718	56718	1-1/2" X 6"	Single	13-1/4"	19-1/4"	1-1/2"	1-3/4"	1"	# 6 SAE	Inline
FA318	A318/20116K	1-1/2" X 10"	Single	17-1/4"	27-1/4"	1-1/2"	1-3/4"	1"	1/4" NPT	Inline
FA3463	A3463	2" X 10"	Single	17-1/4"	28"	2"	2-1/8"	1"	1/4" NPT	Inline
FA3660	A3660/20117K	1-1/2" X 12"	Single	19-1/4"	31-1/4"	1-1/2"	1-3/4"	1"	1/4" NPT	90
FA5166	A5166	2" X 16"	Single	23-1/4"	39-1/4"	2"	2-1/4"	1-1/4"	1/4" NPT	90

MEYER®

Part No.	OEM No.	Bore X Stroke	Acting	Retracted	Extended	Ram Dia.	Base Dia.	Pin Size	Port Type	Port Location (Degree)
M05437	05437	1-1/2" X 12"	Single	18"	30"	1-1/2"	1-5/8"	5/8"	1/4" NPT	Inline
M05752	05752	2" X 12"	Single	18"	30"	1-5/8"	1-5/8"	5/8"	1/4" NPT	Inline
M05810	05810	1-1/2" X 10"	Single	16-1/4"	26-1/4"	1-1/2"	1-5/8"	5/8"	1/4" NPT	Inline
M05984	05984	1-1/2" X 6"	Single	12-3/8"	18-3/8"	1-1/8"	1-5/8"	5/8"	1/4" NPT	Inline
M07968	07968	1-1/2" X 10"	Single	16-1/4"	26-1/4"	1-1/2"	1-5/8"	5/8"	# 6 SAE	Cross Drilled

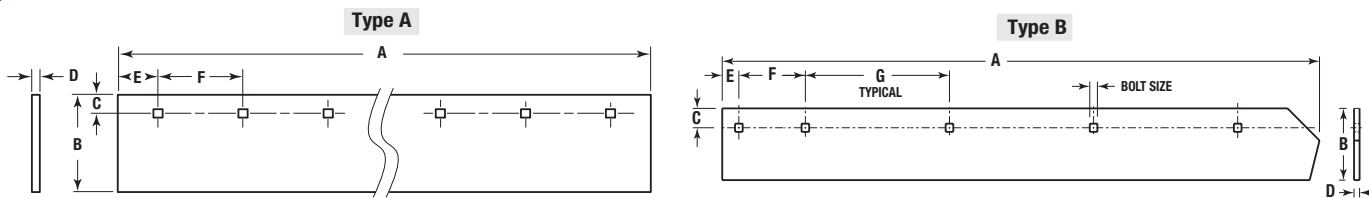
SNO-WAY®

Part No.	OEM No.	Bore X Stroke	Acting	Retracted	Extended	Ram Dia.	Base Dia.	Pin Size	Port Type	Port Location (Degree)
SW9618	96100085	2-1/2" X 4"	Double	10-1/4"	14-1/4"	1-1/2"	1-1/2"	3/4"	# 6 SAE	90
SW9620	96106077	1-1/2" X 3-7/8"	Double	10-1/4"	14-1/8"	1-1/2"	4"	3/4" - Ram 1/2" - Base	# 6 SAE	90
SW9655	96107455	1-1/2" X 11-1/4"	Single	16-3/4"	28"	1-1/4"	1-1/2"	1/2"	# 6 SAE	90
SW9677	96101977	2-1/4" X 9"	Double	16-1/8"	25-1/8"	1-1/2"	1-1/2"	5/8"	# 6 SAE	Inline

WESTERN®

Part No.	OEM No.	Bore X Stroke	Acting	Retracted	Extended	Ram Dia.	Base Dia.	Pin Size	Port Type	Port Location (Degree)
W25200	25200	1-1/2" X 6"	Single	13"	19"	1-1/2"	1-3/4"	3/4"	1/4" NPT	Inline
W25209	25209	1-1/2" X 10"	Single	17"	27"	1-1/2"	1-3/4"	1"	1/4" NPT	Inline
W25210	25210	2" X 6"	Single	13-1/4"	19-1/4"	1-7/16"	1-1/2"	3/4"	1/4" NPT	Inline
W25878	25878	2" X 16"	Single	23-1/4"	39-1/4"	2"	2-1/4"	1"	1/4" NPT	Inline
W56102	56102	1-1/2" X 10"	Single	17-1/4"	27-1/4"	1-1/2"	1-3/4"	3/4"	1/4" NPT	90
W56538K	56538K	1-1/2" X 8"	Single	15-1/4"	23-1/4"	1-1/2"	1-3/4"	3/4"	# 6 SAE	90
W56614	56614	1-1/2" X 10"	Single	17"	27"	1-1/2"	1-3/4"	3/4"	# 6 SAE	90
W56709W	56709	2" X 10"	Double	17-5/16"	27-5/16"	1-1/2"	2"	1"	# 6 SAE	90
W56750	56750	2" X 11"	Double	18-1/4"	29-1/4"	1-1/2"	2"	1"	# 6 SAE	90
W64148	64148	1-1/2" X 12"	Single	19-1/2"	31-1/2"	1-1/2"	1-3/4"	1"	# 6 SAE	90

Snow Plow Replacement Parts - Steel Cutting Edges



BLIZZARD®

Part No.	OEM No.	Bolt Kit*	Description	Type	A	B	C	Bolt Size	No. Of Holes	D	E	F
B52067	B52067/B61292	M08184	1/2" X 6" X 89" Edge	A	89"	6"	1.5"	1/2"	7	1/2"	2.50"	14.00"
B61256	B61256/B61165	M08184	3/8" X 6" X 90" Edge	A	90"	6"	1.63"	1/2"	8	3/8"	1.69"	12.38"
B61258	B61258/B61168	M08184	1/2" X 6" X 90" Edge	A	90"	6"	1.63"	1/2"	8	1/2"	1.69"	12.38"
B52095	B52095/B11962	M08184	1/2" X 6" X 94.5" Edge	A	94.5"	6"	1"	1/2"	7	1/2"	3.75"	14.50"
B61259	B61259/B61164	M08184	1/2" X 6" X 96" Edge	A	96"	6"	1.5"	1/2"	8	1/2"	1.73"	13.22"
B61532	B61532/B61528	M08184	1/2" X 6 X 102" Edge	A	102"	6"	1.63"	1/2"	8	1/2"	2.00"	14.00"

BOSS®

Part No.	OEM No.	Bolt Kit*	Description	Type	A	B	C	Bolt Size	No. Of Holes	D	E	F
STB3071	STB03071	BAX0034	3/8" X 6" X 90" Edge	A	90"	6"	1"	1/2"	8	3/8"	3.00"	12.00"
STB3002	STB03002	BAX0034	1/2" X 6 X 90" Edge	A	90"	6"	1"	1/2"	8	1/2"	3.00"	12.00"

BOSS® HALF CUTTING EDGE

Part No.	OEM No.	Bolt Kit*	Description	Type	A	B	C	Bolt Size	No. Of Holes	D	E	F	G
BAX00097	BAX00097/BAX0002	M08318	7.6 V Half Cut Edge	B	43.88"	6"	1.62"	5/8"	4	.50"	1.50"	12.00"	12.00"
BAX00098	BAX00098/BAX0003	M08318	8.2 V Half Cut Edge	B	47.88"	6"	1.62"	5/8"	4	.50"	1.50"	13.00"	13.00"
BAX00099	BAX00099/BAX0004	M08318	9.2 V Half Cut Edge	B	53.88"	6"	1.62"	5/8"	5	.50"	1.50"	6.00"	13.00"
BAX07627	BAX07627	M08318	10.0 V Half Cut Edge	B	59.13"	6"	1.62"	5/8"	5	.625"	1.50"	12.00"	12.00"

CURTIS®

Part No.	OEM No.	Bolt Kit*	Description	Type	A	B	C	Bolt Size	No. Of Holes	D	E	F
1TBP49A	1TBP49A	M08184	3/8" X 6" X 90" Edge	A	90"	6"	3.00"	1/2"	7	3/8"	1.50"	14.50"
1TBP49B	1TBP49B	M08184	3/8" X 6" X 96" Edge	A	96"	6"	3.00"	1/2"	7	3/8"	1.50"	15.50"
1TBP49A-HD		M08184	1/2" X 6 X 90" Edge	A	90"	6"	3.00"	1/2"	7	1/2"	1.50"	14.50"
1TBP49B-HD		M08184	1/2" X 6 X 96" Edge	A	96"	6"	3.00"	1/2"	7	1/2"	1.50"	15.50"

FISHER®

Part No.	OEM No.	Bolt Kit*	Description	Type	A	B	C	Bolt Size	No. Of Holes	D	E	F
F5532	5532/6597	M08184	3/8" X 6" X 90" Edge	A	90"	6"	1.25"	1/2"	8	3/8"	1.44"	12.44"
F50678	50678/50625	M08184	1/2" X 6 X 90" Edge	A	90"	6"	1.25"	1/2"	8	1/2"	1.50"	12.43"
F5533	5533/6598	M08184	1/2" X 6 X 96" Edge	A	96"	6"	1.25"	1/2"	8	1/2"	4.47"	12.44"

MEYER®

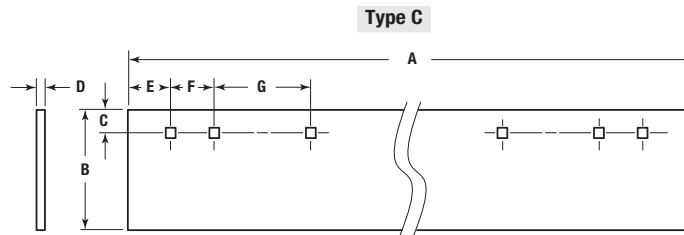
Part No.	OEM No.	Bolt Kit*	Description	Type	A	B	C	Bolt Size	No. Of Holes	D	E	F
M09130	09130	M08184	3/8" X 6" X 72" Edge	A	72"	6"	1"	1/2"	7	3/8"	4.88"	10.38"
M09100	09100	M08184	3/8" X 6" X 78" Edge	A	78"	6"	2"	1/2"	6	3/8"	1.50"	15.00"
M09131	09131	M08184	3/8" X 6" X 78" Edge	A	78"	6"	1"	1/2"	8	3/8"	2.69"	10.38"
M09132	09132	M08184	3/8" X 6" X 84" Edge	A	84"	6"	1"	1/2"	7	3/8"	4.69"	12.44"
M09796	09796	M08184	3/8" X 6" X 90" Edge	A	90"	6"	1"	1/2"	8	3/8"	1.47"	12.44"
M09131HD		M08184	1/2" X 6 X 78" Edge	A	78"	6"	1"	1/2"	8	1/2"	2.69"	10.38"
M09132HD		M08184	1/2" X 6 X 84" Edge	A	84"	6"	1"	1/2"	7	1/2"	4.69"	12.44"
M09796HD		M08184	1/2" X 6 X 90" Edge	A	90"	6"	1"	1/2"	8	1/2"	1.47"	12.44"
M09133	09133	M08184	1/2" X 6 X 96" Edge	A	96"	6"	1"	1/2"	8	1/2"	4.47"	12.44"
M09134	09134	M08184	1/2" X 6 X 102" Edge	A	102"	6"	1"	1/2"	9	1/2"	1.25"	12.44"

SNO-WAY®

Part No.	OEM No.	Bolt Kit*	Description	Type	A	B	C	Bolt Size	No. Of Holes	D	E	F
SW964	96100275	SW9616	3/8" X 6" X 80" Edge	A	80"	6"	1.75"	1/2"	10	3/8"	4.00"	8.00"
SW966	96100237	SW9616	1/2" X 6 X 90" Edge	A	90"	6"	1.75"	1/2"	12	1/2"	1.00"	8.00"
SW968	96100239	SW9616	1/2" X 6 X 96" Edge	A	96"	6"	1.75"	1/2"	12	1/2"	4.00"	8.00"

* Bolt Kit Sold Separately

Snow Plow Replacement Parts - Steel Cutting Edges



BOSS®

Part No.	OEM No.	Bolt Kit*	Description	Type	A	B	C	Bolt Size	No. Of Holes	D	E	F	G
STB9544	STB09544	M08184	1/4" X 6" X 84" Edge	C	84"	6"	1	1/2"	7	1/4"	6.00	12.00	12.00
STB3003	STB03003	B50132	1/2" X 6" X 96" Edge	C	96"	6"	1	1/2"	10	1/2"	2.00	4.00	12.00
STB0317	STB00317	M08318	1/2" X 8" X 96" Edge	C	96"	8"	1	5/8"	10	1/2"	2.00	4.00	12.00
STB3072	STB03072	B50132	1/2" X 6" X 102" Edge	C	102"	6"	1	1/2"	10	1/2"	3.00	6.00	12.00
STB0318	STB00318	M08318	1/2" X 8" X 102" Edge	C	102"	8"	1	5/8"	10	1/2"	3.00	6.00	12.00
STB3242	STB03242	B50132	1/2" X 6" X 108" Edge	C	108"	6"	1	1/2"	10	1/2"	3.00	9.00	12.00
STB0319	STB00319	M08318	1/2" X 8" X 108" Edge	C	108"	8"	1	5/8"	10	1/2"	3.00	9.00	12.00
STB7537	STB07537	M08318	1/2" X 6" X 120" Edge	C	120"	6"	1	5/8"	12	1/2"	3.00	3.00	12.00

FISHER®

Part No.	OEM No.	Bolt Kit*	Description	Type	A	B	C	Bolt Size	No. Of Holes	D	E	F	G
F5532HD	-	M08184	5/8" X 6" X 90" Edge	C	90"	6"	1.25	1/2"	8	5/8"	1.44	12.44	12.44
F28575	28575/28545	M08318	1/2" X 6" X 90" Edge	C	90"	6"	3.00	5/8"	10	1/2"	1.50	3.00	9.43
F5533HD	-	M08184	5/8" X 6" X 96" Edge	C	96"	6"	1.25	1/2"	8	5/8"	4.47	12.44	12.44
F27580	27580/27426	M08318	1/2" X 6" X 96" Edge	C	96"	6"	3.00	5/8"	10	1/2"	1.50	3.00	12.43
F26460	26460/26652	M08184	1/2" X 6" X 102" Edge	C	102"	6"	1.25	1/2"	8	1/2"	2.50	16.00	13.00
F27585	27585/28391	M08318	1/2" X 6" X 102" Edge	C	102"	6"	3.00	5/8"	10	1/2"	2.50	3.00	13.00
F5534	5534/6599	M08318	1/2" X 6" X 108" Edge	C	108"	6"	1.25	5/8"	11	1/2"	3.00	3.00	12.00
F5534HD	-	M08318	5/8" X 6" X 108" Edge	C	108"	6"	1.25	5/8"	11	5/8"	3.00	3.00	12.00
F27590	27590/27427	M08318	1/2" X 6" X 108" Edge	C	108"	6"	3.00	5/8"	11	1/2"	3.00	3.00	12.00
F3507	3507/7082	M08318	1/2" X 6" X 120" Edge	C	120"	6"	1.50	5/8"	12	1/2"	3.00	3.00	12.00

MEYER®

Part No.	OEM No.	Bolt Kit*	Description	Type	A	B	C	Bolt Size	No. Of Holes	D	E	F	G
M07259	07259	M08318	1/2" X 6" X 108" Edge	C	108"	6"	1.25	5/8"	11	1/2"	3.00	3.00	12.00
M07235	07235	M08318	1/2" X 6" X 120" Edge	C	120"	6"	1.25	5/8"	12	1/2"	3.00	3.00	12.00

SNO-WAY®

Part No.	OEM No.	Bolt Kit*	Description	Type	A	B	C	Bolt Size	No. Of Holes	D	E	F	G
SW9612	96106668/96106336	M08184	3/8" X 6" X 90" Edge	C	90"	6"	1.75	1/2"	9	3/8"	2.00	7.00	12.00
SW9614	96106337/96106669	M08184	3/8" X 6" X 96" Edge	C	96"	6"	1.75	1/2"	9	3/8"	2.00	10.00	12.00
SW9615	-	M08184	1/2" X 6" X 96" Edge	C	96"	6"	1.75	1/2"	9	1/2"	2.00	10.00	12.00

WESTERN®

Part No.	OEM No.	Bolt Kit*	Description	Type	A	B	C	Bolt Size	No. Of Holes	D	E	F	G
W49066	49066	M08184	3/8" X 6" X 78" Edge	C	78"	6"	1"	1/2"	8	3/8"	2.63"	8.25"	11.25"
W58812	58812	M08184	3/8" X 6" X 78" Edge	C	78"	6"	3"	1/2"	8	3/8"	2.63"	8.25"	11.25"
W58813	58813	M08184	3/8" X 6" X 84" Edge	C	84"	6"	3"	1/2"	8	3/8"	2.63"	11.25"	11.25"
W49070	49070	M08184	3/8" X 6" X 84" Edge	C	84"	6"	1"	1/2"	8	3/8"	2.63"	11.25"	11.25"
W49350	49350	M08184	1/2" X 6" X 90" Edge	C	90"	6"	2.06"	1/2"	8	1/2"	2.63"	14.25"	11.25"
W64775	64775	M08318	1/2" X 6" X 90" Edge	C	90"	6"	1.25"	5/8" Slotted	10	1/2"	2.50"	3.00"	7.00
W49088	49088	M08184	3/8" X 6" X 90" Edge	C	90"	6"	1.25"	1/2"	8	3/8"	2.63"	14.25"	11.25"
W49346	49346	M08184	1/2" X 6" X 90" Edge	C	90"	6"	1.25"	1/2"	8	1/2"	2.63"	14.25"	11.25"
W58814	58814	M08184	3/8" X 6" X 90" Edge	C	90"	6"	3"	1/2"	8	3/8"	2.63"	14.25"	11.25"
W49312	49312	M08184	3/8" X 6" X 90" Edge	C	90"	6"	2.06"	1/2"	8	3/8"	2.63"	14.25"	11.25"
W58815	58815	M08184	3/8" X 6" X 96" Edge	C	96"	6"	3"	1/2"	8	3/8"	2.50"	13"	13"
W49089	49089	M08184	1/2" X 6" X 96" Edge	C	96"	6"	1"	1/2"	8	1/2"	2.50"	13"	13"
W63980	63980	M08318	1/2" X 6" X 96" Edge	C	96"	6"	1.25"	5/8" Slotted	10	1/2"	2.50"	3.00"	10.00"
W63985	63985	M08318	1/2" X 6" X 102" Edge	C	102"	6"	1.25"	5/8" Slotted	10	1/2"	2.50"	3.00"	13.00"
W49348	49348	M08184	1/2" X 6" X 102" Edge	C	102"	6"	1.25"	1/2"	8	1/2"	2.50"	16.00"	13.00"
W58816	58816	M08184	1/2" X 6" X 102" Edge	C	102"	6"	3"	1/2"	8	1/2"	2.50"	16.00"	13.00"
W58817	58817	M08318	1/2" X 6" X 108" Edge	C	108"	6"	1.50"	5/8"	11	1/2"	3.00"	3.00"	12.00"
W63990	63990	M08318	1/2" X 6" X 108" Edge	C	108"	6"	1.25"	5/8" Slotted	10	1/2"	2.50"	3.00"	16.00"
W49349	49349	B50132	1/2" X 6" X 108" Edge	C	108"	6"	1.25"	1/2"	10	1/2"	2.50"	3.00"	16.00"
W58818	58818	M08318	1/2" X 6" X 120" Edge	C	120"	6"	1.50"	5/8"	12	1/2"	3.00"	3.00"	12.00"
W58818HD	M08318	5/8" X 6" X 120" Edge	C	120"	6"	1.50"	5/8"	12	5/8"	3.00"	3.00"	3.00"	12.00"

* Bolt Kit Sold Separately

Plow Lights & Warning Lights

MEYER®

Ultra Low Profile Halogen Snow Plow Light Kit



Part No.	Description
M07969	Headlamp Kit With Harness
M07955	Vehicle Selector Switch GX

MEYER® NITE SABER® I

Snow Plow Lighting System



Part No.	Description
1-M07234	OEM - Nite Saber I Light Carton
1-M07548	OEM - Kit: Module Carton
1-M07224	OEM - Light Passenger Side (Fits 07223 & 07234)
1-M07225	OEM - Light Driver Side (Fits 07223 & 07234)

MEYER® NITE SABER® II

Snow Plow Lighting System



Part No.	Description
1-M07550	OEM - Nite Saber II Light Carton
1-M07548	OEM - Kit: Module Carton
1-M07551	OEM - Light Driver Side (Fits 07550)
1-M07552	OEM - Light Passenger Side (Fits 07550)

UNIVERSAL

Snow Plow Light Kit



Part No.	Description
U7234	Universal Snowplow Light Kit
U7234-DS	Universal Snowplow Light - Driver Side
U7234-PS	Universal Snowplow Light - Passenger Side

UNIVERSAL

Plow Light Kit



Part No.	Description
64261-4	Universal Snow Plow Light Kit

WESTERN®

Snow Plow Lamp Kits



Part No.	Description
1-W61540-1	OEM - Ultra / Uni Mount Headlamp Kit 9 - Pin - Includes Plow Side Harness
1-W61543	OEM - Headlamp Pair - No Harnesses
1-W49298	OEM - Headlight Housing Assembly - Each
1-W62503	OEM - 7-Pin Plow Harness Kit
1-W61438	OEM - Plow Harness Kit 9-Pin
1-W61558	OEM - 12 - Pin Uni Plow Side Harness Kit
1-W61535	OEM - Relay Kit - Single

WESTERN® NIGHT HAWK

Plow Lights



Part No.	Description
1-W28800-1	OEM - WESTERN® Nighthawk Light Kit

"TEARDROP" REVOLVING WARNING LIGHT



Part No.	Description
V774A	Revolving Magnetic Mount Light

LED MINI-BAR

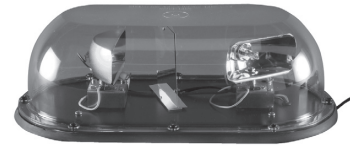
- 2.75" low profile dome, 17.25" wide
- Low current draw, 1.4 amp
- Cycles through pre-programmed flash patterns
- Magnet mount version includes 15 ft straight cord and plug with ON/OFF switch



Part No.	Description
31-1420	LED Bar Strobe Warning Light Amber
31-1422	LED Bar Strobe Warning Light Amber Magnetic Mount

ROTATING MICRO MINI-BAR

- 17.25" light bar perfect for limited-space applications
- Polycarbonate dome for UV resistance, painted steel base for durability
- Rotating dual 55w halogens
- Magnetic mount version includes three 90 lb pull magnets, 15 ft straight cord and cigarette lighter plug with built-in ON/OFF switch



Part No.	Description
31-1424	Halogen Mini Bar Warning Light Amber

LED MAGNETIC BATTERY WARNING LIGHT

- All purpose multi-use signal light
- Battery powered portable light
- 300-400 hours with two "D" batteries (not included)
- Carrying strap, magnet mount base included
- Photocell operation for night time use



Part No.	Description
31-1418	LED Magnetic Battery Warning Light Amber

LED RECHARGEABLE STROBE LIGHT / ROAD FLARE

- 16 Orange LED's
- 9 Flash Patterns
- Heavy-Duty Design
- 12V / 110V Rechargeable
- Waterproof
- Magnetic Base



Part No.	Description
31-1416	4" Round 16-LED Road Flare Strobe

LED LIGHT BAR



Part No.	Description
31-1417	LED Light Bar, 12 LED, 2700 Lumens
31-1419	LED Light Bar, 18 LED, 4050 Lumens
31-1421	LED Light Bar, 24 LED, 5400 Lumens
31-1423	LED Spot Flood, 12 LED, 2700 Lumens

Part No.	Description
31-1425	LED Spot Flood, 24 LED, 5400 Lumens
31-1427	LED Spot Flood, 36 LED, 8100 Lumens
31-1429	LED Spot Flood, 48 LED, 10,800 Lumens

Spreader Lights / Work Lights



31-1478*



31-1480



31-1486



31-1488



31-1490



31-1492



31-1494



31-1496



31-1498



31-1500



31-1502



31-1504



31-1506

RUBBER HOUSING

Part No.	Description
31-1478*	5 Inch Utility Light
31-1480	5 Inch Clear Flood, 54 LED
31-1486	5 Inch Amber Flood, 54 LED
31-1488	5 Inch Clear Flood, 6 LED
31-1490	6 Inch Oval Flood, 6 LED

* Incandescent

ALUMINUM HOUSING

Part No.	Description
31-1492	6 Inch Clear Flood, 9 LED
31-1494	4.5 Inch Clear Flood, 6 LED
31-1496	4.5 Inch Amber Flood, 6 LED
31-1498	4.5 Inch Clear Flood, 5 LED

Part No.	Description
31-1500	6 Inch Clear Flood, 6 LED
31-1502	6 Inch Clear Flood, 9 LED
31-1504	4.5 Inch Clear Spot, 6 LED
31-1506	4.5 Inch Clear Flood, 6 LED, White Powder Coated

LED MINI LIGHT BARS



31-1484

- 24 LED, 8 Flash Patterns
- 9.5' Cord
- 11" X 6.5" X 2.25"
- 2 Amp

Part No.	Description
31-1484	12-V DC, LED Mini Light Bar Magnetic Mount



31-1510

- SAE Class 1
- 32 LED
- 24 Flash Patterns
- 5" X 9" X 3"
- 9.5' Cord
- 3.2 Amps

Part No.	Description
31-1510	LED Mini Light Bar, Magnetic Mount, 15" X 9" X 3"
31-1512	LED Mini Light Bar, Permanent Mount, 15" X 9" X 3"



31-1482

- 24 LED, Random Flash Patterns
- 9.5' Cord
- 10.93" X 5.75" X 3.44"
- 3.5 Amp

Part No.	Description
31-1482	12V DC LED Mini Light Bar Amber



31-1514

- SAE Class 1
- 18 LED
- 19 Selectable Flash Patterns
- Multi-Unit Synchronization Capable
- 2 Vacuum Magnetic Mounts
- 16.7" X 6.9" X 2.9"

Part No.	Description
31-1514	LED Mini Light Bar, Magnetic Mount, 16.7" X 6.9" X 2.9"



31-1508

- SAE Class I
- 56 LED
- 10 Flash Patterns
- 9.5' Cord
- 3.2 Amp
- 15" X 8.25" X 3"

Part No.	Description
31-1508	LED Mini Light Bar, Permanent Mount, 15" X 8.25" X 3"



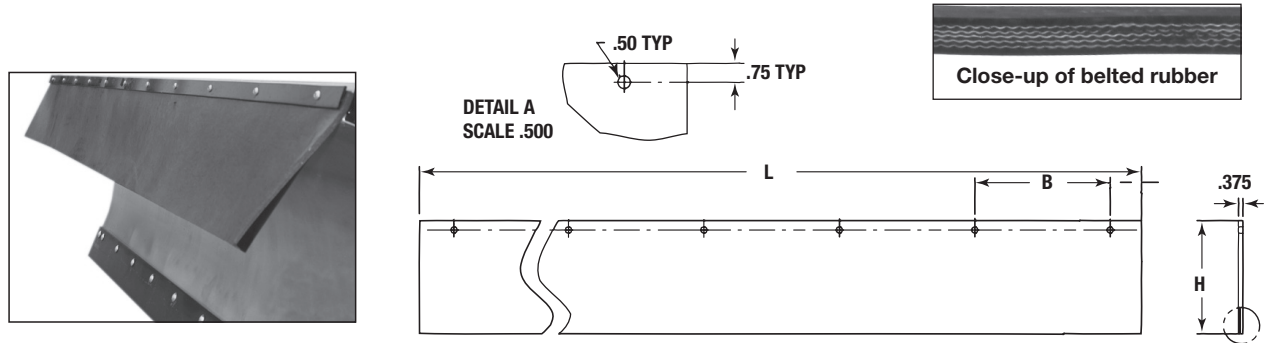
31-1516

- 30 Amber LED, Clear outer lens
- 3.6 Amps
- 2 Vacuum Magnetic Mounts
- 9.5' Cord
- SAE Class I
- 25 Programmable Flash Patterns
- 16.6" X 11" X 2.6"

Part No.	Description
31-1516	LED Mini Light Bar, Magnetic Mount, 16.6" X 11" X 2.6"

Snow Plow Accessories - Snow Deflectors

3/8" THICK BELTED RUBBER SNOW DEFLECTORS



- Universal heavy-duty belted snow deflector rubber
- Fasteners and bracket not included

Part No.	Bolt Kit	Description
U9046	M08184	Universal 3/8 Inch X 45-3/4 Inch Belted Rubber Snow Deflector
U9052	M08184	Universal 3/8 Inch X 51-3/4 Inch Belted Rubber Snow Deflector
U9080	M08184	Universal 3/8 Inch X 80 Inch Belted Rubber Snow Deflector
U9090	M08184	Universal 3/8 Inch X 90 Inch Belted Rubber Snow Deflector

Part No.	Bolt Kit	Description
U9096	M08184	Universal 3/8 Inch X 96 Inch Belted Rubber Snow Deflector
U9102	B50132	Universal 3/8 Inch X 102 Inch Belted Rubber Snow Deflector
U9108	B50132	Universal 3/8 Inch X 108 Inch Belted Rubber Snow Deflector

BOLT PACKAGE

Part No.	Description
M08184	Blade Bolt Package 1/2 Inch - 9 pcs
B50132	Snow Deflector Bolt Package 1/2-13 X 2 Inch - 10pcs



SNOW DEFLECTORS

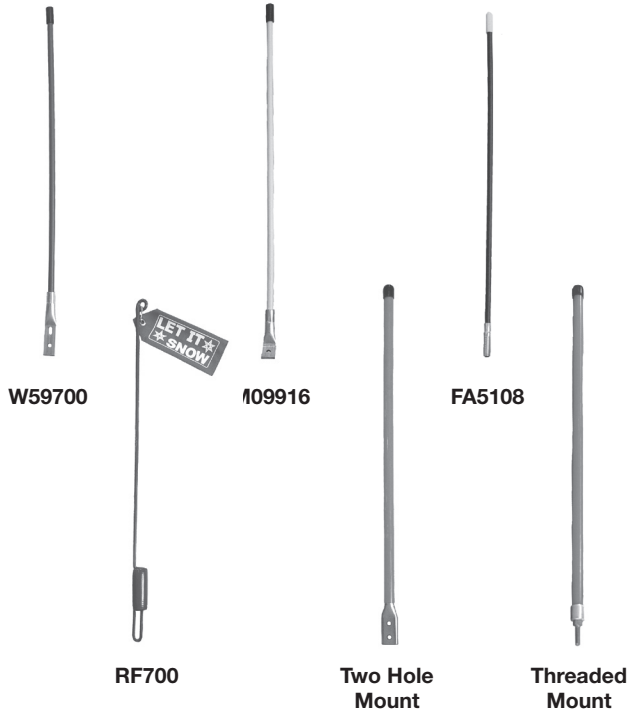


Part No.	Description
1-MS1565	Boss Snow Deflector (fits all models)
M1580	Snow Deflector Fits 78 Inch-90 Inch Plows
M12900	96 Inch Replacement Rubber For Snow Deflector
M12898	Deflector Kit 8.5Ft To 10.0

Part No.	Description
M12901	120 Inch Replacement Rubber For Snow Deflector
U9025	Universal Super Duty Snow Deflector 12 Inch X 120 Inch X 1/2 Inch
U9030	120 Replacement Rubber For U9025

Snow Plow Replacement Parts - Accessories

BLADE GUIDES



Replacement For Original Equipment Guides

Part No.	Description
W59700	Red Blade Guide - Pair
W59700H	Red Blade Guide - Pair, Header Tagged
M09916	Yellow Blade Guide - Pair
M09916H	Yellow Blade Guide-Pair, Header Tagged
FA5108	Black Blade Guide - Pair
FA5108H	Black Blade Guide - Pair, Header Tagged
RF700	Red Flag Blade Guide - Pair
RF700H	Red Flag Blade Guide - Pair, Header Tagged
W59694	Think Snow Flag With S Hook

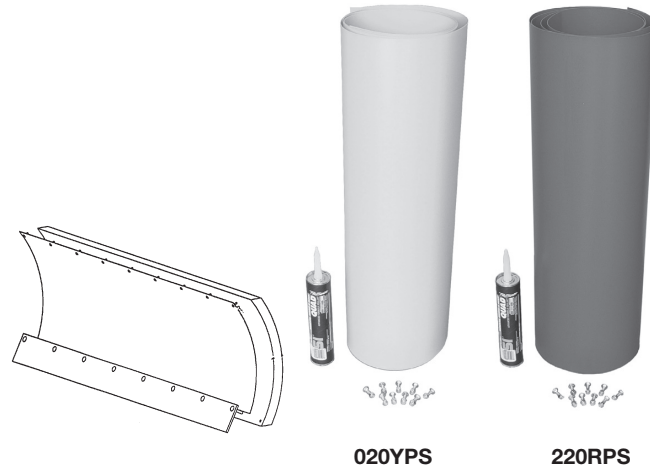
Two Hole Mount

Part No.	Description
GEN-SD28F	3/4 Inch X 28 Inch Fluorescent Orange - Pair
GEN-SD36F	3/4 Inch X 36 Inch Fluorescent Red Orange - Pair
GEN-SD36F-H	3/4" X 36" Fluorescent Red Orange - Pair, Header Tagged
GEN-SD48F	3/4 Inch X 48 Inch Fluorescent Red Orange - Pair

Threaded Mount

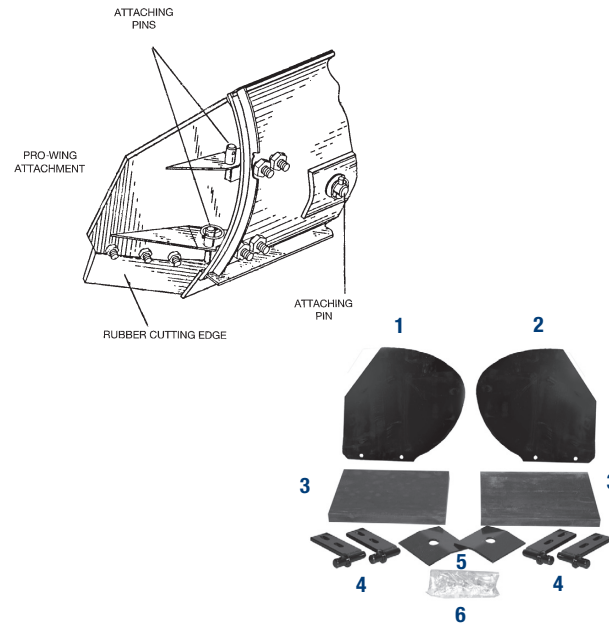
Part No.	Description
GEN-ST28P	3/4 Inch X 28 Inch Red Orange Threaded - Pair

PLOW SHIELDS



Part No.	Description
020YPS	Yellow Poly Plow Shield 28" X 96"
220RPS	Red Poly Plow Shield 28" X 96"

PRO-WINGS (FITS 6-1/2 - 7-1/2 PLOWS)



Dia. No.	Part No.	Description
-	PRO-WING	Pro-Wing Snowplow Extensions
1	PRO100	Wing, Pro-Wing Driver Side
2	PRO200	Wing, Pro-Wing Curb Side
3	PRO500	Pro-Wing Replacement Rubber
4	PRO307	Pro-Wing Bracket 2 -Ea
5	PRO700	Washer, Square Pro-Wing Ea
6	PRO800	Pro-Wing Bolt Package

* Pro-Wings not recommended for Meyer® 2 meter, WESTERN® 8.5 or any brand 9' or 10' plows. Also not recommended for any polymer plows - recommended for steel plows only.

Sno-Way® Snow Plow Replacement Parts

Sno-Way®

HEAVY-DUTY PLOW SHOE ASSEMBLY



Part No.	OEM No.	Description
SW961	96102542	H-D Plow Shoe Assembly

TRIP SPRING



Part No.	OEM No.	Description
SW962	96001392	Trip Spring

CUTTING EDGES



Part No.	OEM No.	Description
SW964	96100521 96100275	Cut Edge 80" X 6" X 3/8"
SW966	96100237	Cut Edge 90" X 1/2"
SW968	96100239	Cut Edge 96" X 1/2"
SW9610	96107649	Cut Edge 80" X 6" X 3/8"
SW9612	96106668 96106336	Cut Edge 90" X 6" X 3/8"
SW9614	96106669 96106337	Cut Edge 96" X 6" X 1/2"

*See page 142 and 143 for dimensions and additional edges.

HITCH PIN



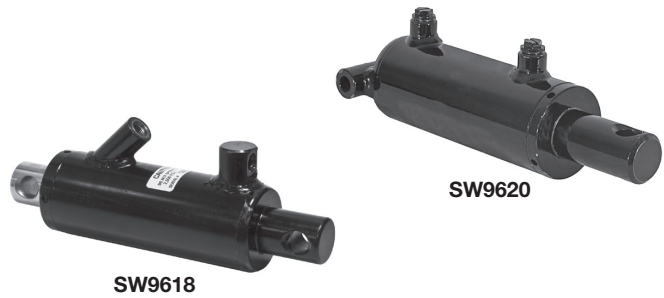
Part No.	OEM No.	Description
SW9626	96105046	Hitch Pin With Linch 3/4" X 4-1/2"

CUTTING EDGE NUTS & BOLTS



Part No.	OEM No.	Description
SW9616	96006141 96006142 96101838 96103893 96106306	Cutting Edge Nuts & Bolts - 12 pcs

CYLINDERS



Part No.	OEM No.	Description
SW9618	96100085	Double Acting Lift Cylinder 1-1/2" X 4"
SW9620	96106077	Double Acting Lift Cylinder 2-1/2" X 3.87"

*See page 141 for dimensions and additional cylinders.

MOTORS



Part No.	OEM No.	Description
SW9622	96001551	Motor 12V DC Clock Wise Spline Shaft
SW9624	96105233	Motor 12V DC Counter Clock Wise Tang Shaft

HOSES



Part No.	OEM No.	Description
SW9605	96100005	Hose 1/4" X 16"
SW9606	96100006	Hose 1/4" X 20"
SW9642	96104242	Hose 1/4" X 16-1/2"
SW9646	96104246	Hose 3/8" X 27"
SW9647	96104247	Hose 3/8" X 28-1/2"
SW9671	96106071	Hose 1/4" X 32"