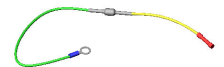
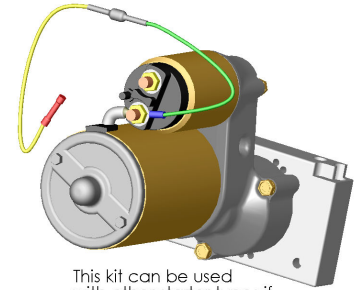
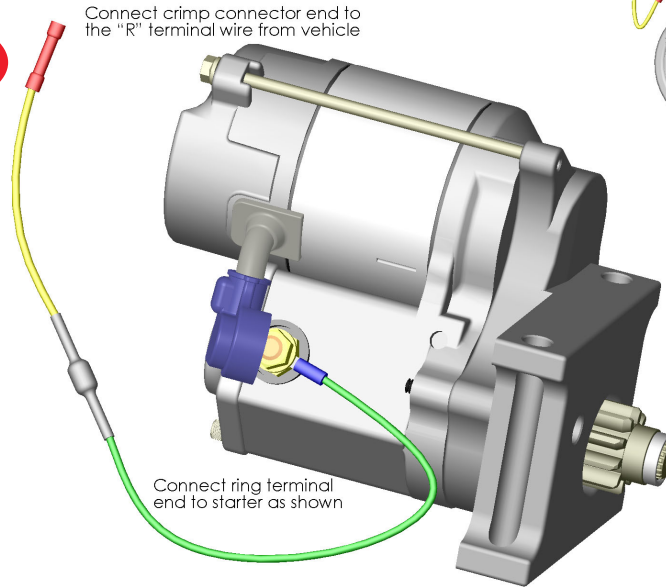


# INSTRUCTION SHEET

## *R Terminal Diode Kit for Racing Starters PIN 600*



Starter "R" terminal diode kit

8/16/10