



POWER ACOUSTIK®

RAZOR

Introduction.

POWER ACOUSTIK is dedicated to the pursuit of audio fidelity.

Our prime objectives are to design and manufacture audio products of unsurpassed quality, to provide unparalleled support and service for these products, and to conduct business in a manner that will enhance the quality of life for all involved.

POWER ACOUSTIK uses both types of power supplies depending on the intended use of each amplifier, as well as expected current demands and operating environment

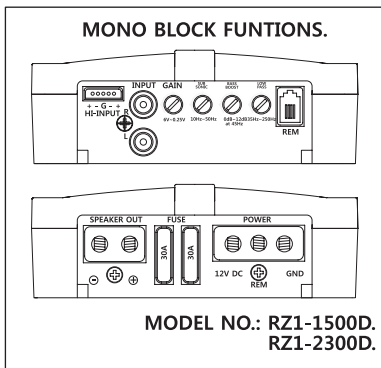
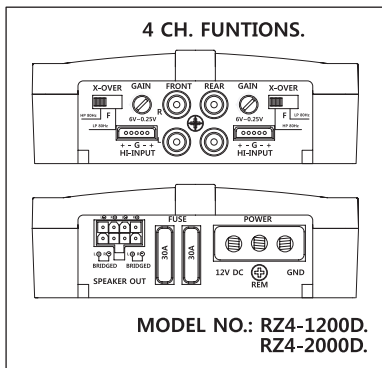
Features.

4 Channel (RZ4-1200D/RZ4-2000D)

- Total Harmonic Distortion: 0.05%
- Frequency Response: 10-35kHz
- Signal-to-Noise Ratio:70dB
- Damping Factor: > 250 Stereo
- Channel Separation: < 55dB
- Input Sensitivity: 200mV-6V
- Class D Digital Full Range [Amplifier](#)
- Full MOSFET PWM Power Supply
- SMD Technology on Double Sided PCB
- 8ga Power Terminals & 12ga Speaker Outputs
- High & Low Level Signal Inputs
- Selectable 80Hz 12dB High/Low Pass Filter
- 2-Ohm Stereo, 4-Ohm Bridged Stable

Mono Block(RZ1-1500D/RZ1-2300D)

- Variable 35-250Hz 12dB Low Pass Filter
- Variable 10-50Hz 12dB Subsonic Filter
- Variable 0-12dB 45Hz Bass Boost
- Total Harmonic Distortion: 0.5%
- Frequency Response: 20-150kHz
- Signal-to-Noise Ratio:70dB
- Damping Factor: > 100
- Input Sensitivity: 200mV-6V
- Class D Digital Monoblock Amplifier
- Full MOSFET PWM Power Supply
- SMD Technology on Double Sided PCB
- 8ga Power & 8ga Speaker Output Terminals
- High & Low Level Signal Inputs
- Remote Mount Gain Control Included



Warnings.

POWER ACOUSTIK highly recommends that a fuse or circuit breaker be placed within 18" of the battery.

Although products have adequate internal protection, it is possible that a pinched power wire between the component and the battery may result in a fire. The protection device should be placed where it can be accessed easily and all wiring should be routed safely and correctly according to the following guidelines:

Do not run wiring close to hot or spinning objects.

Always use wire grommets when routing wire through the firewall or any other metal panels. Make sure that the potential for pinched wiring is avoided by routing all wires away from moving hinges and seats. This also includes brake, gas and clutch pedals, hood and trunk hinges, etc.

Caution:

Continuous exposure to excessive sound pressure levels may cause permanent hearing loss.

POWER ACOUSTIK strongly advises that you use common sense when setting volume levels.

If you experience ringing in the ears, it could cause permanent hearing damage

CAUTION!

When connecting our amplifiers to pre-wired stock speakers, care must be taken that there are no common connections between left and right speaker wires, i.e. minus to minus or plus to plus connections, as this will cause the amplifier to go into immediate protection or may cause damage to the amplifier. Output connections are not common chassis ground. Please follow the hookup instructions in this owner's manual.

Wire Size.

Most people understand the importance of a clean signal source for good sound reproduction.

It's often surprising how many people (even professional car audio people) will obsess about signal wire but routinely provide the amplifier only a fraction of the current it needs to do its job. The most common wire gauge used in car audio is 10-gauge.

Gain control.

Proper gain setting is one of the most important factors in setting up a stereo system. at the same time, gain setting is most often done wrong. Turning up the gain of an amp is the very last thing you should ever do to a system.

First, hook up the system with all gain controls at minimum (turn the gain pot fully counter-clockwise with a small screwdriver). Then turn on the head unit and turn up the volume. If you achieve clean sound, and, more volume than you want, you don't need to make any adjustments. However, if you turn up the volume and begin to hear distorted sound before it becomes loud, you are clipping (distorting) the deck (probably a little over $\frac{3}{4}$ volume). Turn the deck down just enough to hear clean sound again, and then move to the next component in your system. With the deck playing at "maximum clean volume" adjust the gain of the next component to its "maximum clean volume". If you adjust your gains this way, always starting at the head unit and working down the line to the amplifier, you will get the most performance out of your amplifier(s) with the least amount of unwanted distortion and noise

Cross over Controls.

All Razor series amplifiers have electronic crossovers built in.

This allows you to build multi-amp systems without the need for added electronic crossovers.

The "HP,F,LP" control allows the user to choose exactly what crossover frequency the amp will use.

Selectable switch for 80Hz High pass (HP) Full pass (F) 80Hz Low pass (LP).

Bass Boost Control.

POWER ACOUSTIK has provided all Series amplifiers with a variable Bass equalization circuit. Each amplifier has a "Bass Boost" control, which allows adjustment of the bass from 0dB to as much as 18dB. This adjustment is made at a frequency of 44Hz.

Use the Bass Boost with caution. Too much equalization can easily cause amplifier clipping and may even damage your speakers

Low pass Controls.

The amplifier is used to drive a subwoofer.

The frequencies above the crossover point will be attenuated at 12dB/octave.

Permits adjustment of the crossover frequency, by rotating the knob to select any frequency between 50Hz to 250Hz as the crossover point.

Remote Control.

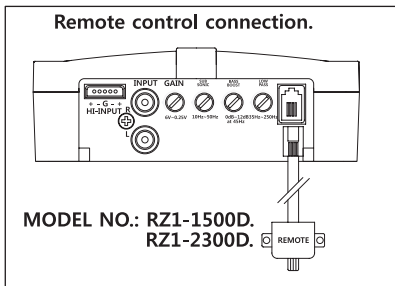
Can control bass low tone according to your inclination.

Low tone of Power Acoustik can hear deep and clean sound because control gain.

Caution:

Use line offered at factory.

Otherwise, can be responsible for noise occurrence.



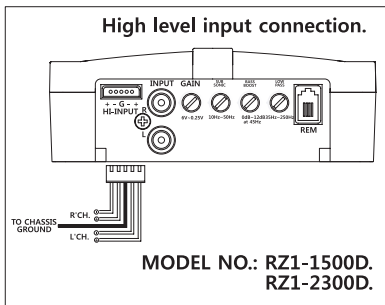
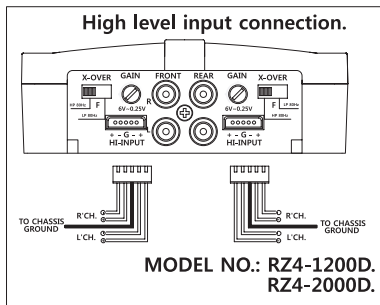
Sub sonic filter Control

To protect your speakers, we have designed a new sub-sonic filter. The filter is a 12dB/octave, high pass that is variable from 15 Hz to 50 Hz, so you can match the filter to your woofer enclosure.

High Level input.

Connect speaker output from factory radio to amplifier.

To hear more clarity, you must connect the chassis ground, please.



Power connections.

It is important to have good quality power and ground connections. Remember, to complete an electrical circuit, the ground connection is just as important as the positive power connection.

Before any power connections are made, disconnect the ground cable at the battery.

When the power supply lead, memory backup lead or ground lead are extended use a 5mm (AWG5) or larger automotive grade cable which will withstand friction and heat to safe grade against fires occurring as a result of short-circuiting.

GND = Connect the proper gauge ground wire to the amplifier "GND" terminal. Locate the position on the chassis of the car to which the amplifier is to be grounded.

NOTE: Do not ground the amplifier to the "frame of the car. The frame on most cars and trucks is not grounded to the chassis(body). Use Solder or a clamp ring to connect the ground wire. Pre-drill the prepped chassis to bolt the ground ring terminal with nut, bolt and lock washers.

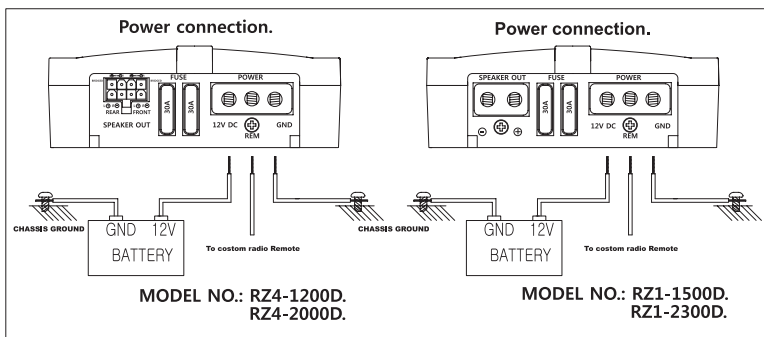
Insulate metal and connector with paint or silicon to prevent rust and oxidation. Silicon also works great to prevent nuts and bolts from working loose in a harsh environment of an automobile.

Upon completion of the ground connection, grab wire or connector and confirm that it is a solid connection. To prevent engine noise, it is recommended to ground the head unit and other audio electronics in the same location.

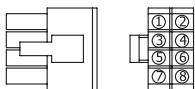
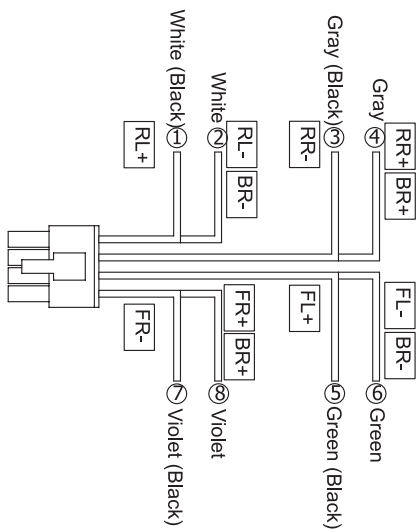
REM = Connect the remote wire (power antenna output) from the head unit to the remote turn-on wire of the amplifier. If the head unit is not equipped with a remote/antenna output, locate a wire that is controlled by the accessory position of the key. It is important to have the amplifier turn off with the radio or key.

If the amplifier remains on, the result will most likely be a dead battery.

12V = Connect the proper gauge power wire to the amplifier "B+" terminal. Run wire to wards the fuse holder that is no greater than 0.5 meters from the battery. Remember, the fuse is to protect the safety of the car in the case of a short. Connect fuse holder to battery, but do not install fuse at this time.



Speaker connections.



- ① RL+ (White Black)
- ② RL- (White)/BR-
- ③ RR- (Gray Black)
- ④ RR+ (Gray)/BR+
- ⑤ FL+ (Green Black)
- ⑥ FL- (Green)/BR-
- ⑦ FR- (Violet Black)
- ⑧ FR+ (Violet)/BR+

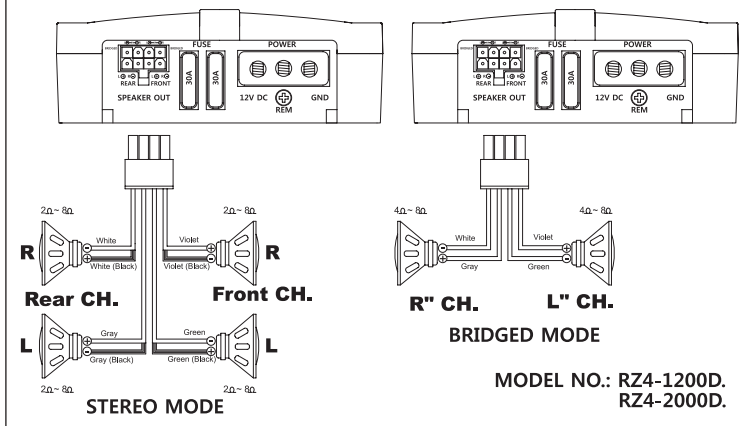
**MODEL NO.: RZ4-1200D.
RZ4-2000D.**

Stereo Separation:

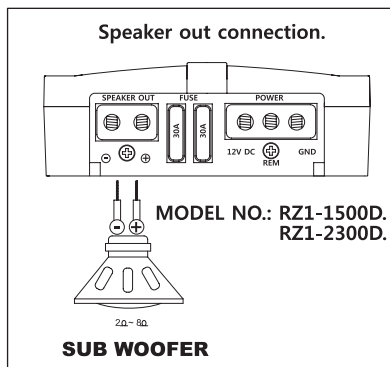
The ability of an amplifier to maintain the separation between the right and left channels is what allows an amplifier to reproduce an accurate sound stage.

Music is recorded with each instrument in its own location on a sound stage. You should hear it the same way in your vehicle.

Speaker out connection.



Speaker out connection.

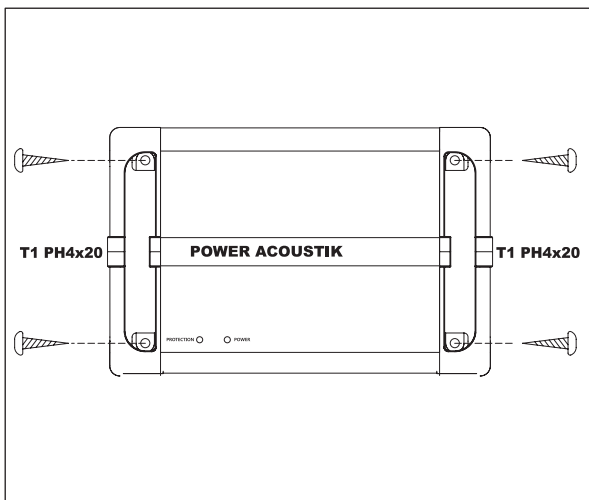


Installation Guidelines.

Mounting your Reference Amplifier is easy. Keep in mind the following guidelines:

- Negative battery terminal must be disconnected before any electrical connections are made.
- The amplifier may be mounted in any direction, on wood, metal or carpet.
- The metal case of the amplifier may be grounded or left isolated.
- The amplifier requires adequate ventilation. Position the amplifier with sufficient surrounding area for proper cooling.
- Keep the amplifier out of the engine compartment and other locations that may cause excessive heat or moisture.
- Make sure that the mounting screws will not penetrate the gas tank, brake and fuel lines, wiring or other critical parts of your car when installed.

Do not mount the amplifier to a subwoofer enclosure or any other place that may have excessive vibration!



Specifications.

	Specification		RZ4-1200D	RZ4-2000D	RZ1-1500D	RZ1-2300D
1	Out power	4 Ohm RMS	100W x 4ch	160W x 4ch	600Wxch	900Wx1ch
		2 Ohm RMS	150Wx4ch	250W x 4ch	900Wx1ch	1,400Wx1ch
		Bridged	300Wx2ch	500Wx2ch	x	x
		Max power	1200w	2000w	1500w	2300w
2	Frequency range		20Hz-30Khz (4ohm)	20Hz-30Khz (4ohm)	20Hz-30Khz	20Hz-30Khz
3	Speaker impedance	2,4,8 Ohm	○	○	○	○
4	Input sensitivity	Line (Low)	0.20V-6.0V	0.20V-6.0V	0.20V-6.0V	0.20V-6.0V
		High input	1.0V-8.0V	1.0V-8.0V	1.0V-8.0V	1.0V-8.0V
5	Filter Frequency	Low pass	80Hz Fixed 12dB Oct	80Hz Fixed 12dB Oct	50-250Hz 12dB Oct Low pass only	50-250Hz 12dB Oct Low pass only
		High pass				
		Sub sonic filter	x	x	10Hz-50Hz	10Hz-50Hz
		Bass boost	x	x	0-12dB-45Hz	0-12dB-45Hz
6	Chanel separation		50dB	50dB	x	x
7	S/N Ratio		70dB	70dB	70dB	70dB
8	THD		<0.05%	<0.05%	<0.05%	<0.05%
9	Power supply		11-16V DC	11-16V DC	11-16V DC	11-16V DC
10	Dimension (in)		4.75" x 1.5" x 9"	4.75" x 1.5" x 11"	4.75" x 1.5" x 10"	4.75" x 1.5" x 11"
11	Weight (Kg)		1.4	1.8	1.6	1.8
12	Output power TR design		Digital Full range	Digital Full range	Class D Mono	Class D Mono

Turning on the amplifier.

The amplifier automatically turns on a few seconds after you turn your vehicle's ignition switch to ACC or ON or turn on your auto sound system, depending on how you wired the system. The POWER Indicator on the top of the amplifier lights when the amplifier is on.

Important : Your amplifier requires 30 amps or more of power from your vehicle's battery during operation. To protect your battery from discharging, do not operate the amplifier unless your vehicle is running.

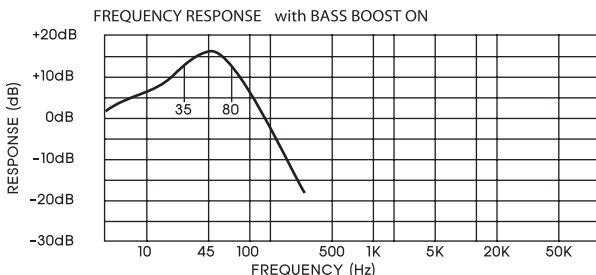
Adjusting the audio level.

For the best performance, you must set GAIN(MIN/MAX) on the side of the amplifier to adjust the level of the audio signals that enter the amplifier.

1. Use a screwdriver to turn GAIN(MIN/MAX) fully counterclockwise to MIN.
2. Turn the auto sound system's volume control to about one-third of its full range.
3. Adjust GAIN(MIN/MAX) to a comfortable listening level.
4. Turn up the auto sound system's volume control until the sound begins to distort. Then immediately turn the volume down to a point just before where the distortion began.

Caution : Never turn up the auto sound system's volume control more than needed to adjust the audio level, more than two thirds of its maximum volume.

5. Adjust GAIN(MIN/MAX) until the sound is at the maximum level you want the amplifier to produce.
6. Adjust the auto sound system's volume control to a comfortable listening level.



NOTE : Raising the Bass Frequency allows higher frequencies to reach the bass speakers centered around 45Hz. This "BUMP" can have a dramatic effect on the bass system's apparent volume. Use caution! When adjusting this control as serious subwoofer damage may result from overpowering or overexcursion.

Trouble shooting.

SYMPTOMS	CHECK	REMEDY
NO SOUND	Is the power LED illuminated? (NO)	Check all fuses to amplifier. Be sure Turn-on lead is connected Check signal leads. Check gain control. Check Tuner/Deck volume level. Clean contacts on fuse holders.
	Is the Diagnostic LED illuminated? (YES)	Check for speaker short or amplifier overheating.
AMP NOT SWITCHING ON	No power to power wire	Repair power wire or connections.
	No power to remote wire with receiver on	Check connections to radio.
	Burnt or broken fuse	Replace fuse
NO SOUND, ON ONE CHANNEL	Check Speaker Leads	Inspect for short circuit or an open connection.
	Check Audio Leads	Reverse Left and Right RCA inputs to determine if the problem is occurring before the amp.
AMP TURNING OFF MEDIUM/ HIGH VOLUME	Check Speaker load impedance	Be sure proper speaker load impedance recommendations are observed. (If you use an ohmmeter to check speaker resistance, please remember that DC resistance and AC impedance may not be the same.)
PROTECTION LAMP ON	Shut down	Turn radio down Wait for AMP to cool
	Speaker wires shorted	Separate speaker wires and insulate

Warning.

Investigate the layout of your automobile through before drilling or cutting any holes. Take care when you work near the gas tanks, lines, or hydraulic lines, and electrical wiring. Don't use power amplifier without securely mounting it. Attach this system securely to the automobile to prevent damage, particularly in the event of an accident. Don't mount this system so that the wire connections are unprotected or are subject to pinching or damage from nearby objects. The +12V DC power wire must be fused at the battery positive terminal connection. Before making or breaking power connections at this system power terminals, disconnect the +12V wire at the battery end. Confirm your radio/cassette player and/or other equip is turned off while connecting the input jacks and speaker terminals. If you need to replace the power fuse, replace it only with a fuse identical to that supplied with the system. Using a fuse of different type or rating may result in damage to this system which isn't covered by the warranty.



POWER ACOUSTIK®

Please Keep This Information For Your Records

Model Number: _____

Serial Number: _____

Date Purchased: _____

Dealer Name: _____

Dealer Address: _____

City: _____ State: _____ Zip: _____



STAMP