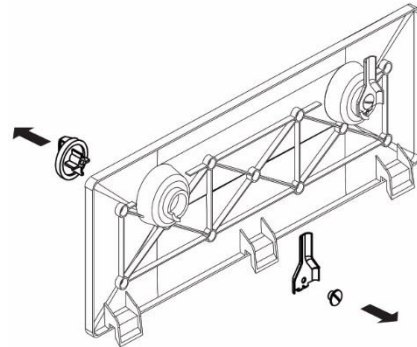


**Contents:**

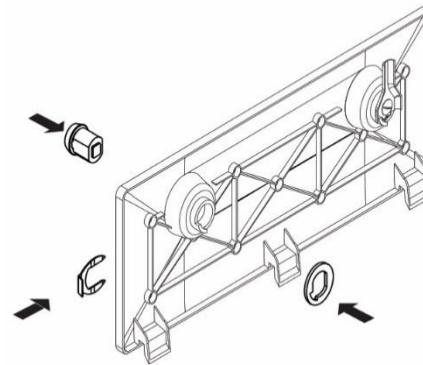
Lock Cylinder, Lock Washer  
Lock Screw, Lock Cam, Lock Clip  
Stiffening Plate, 4 Carriage Bolt,  
4 Nuts, Instructions, Warranty Card

**Tools Required:**

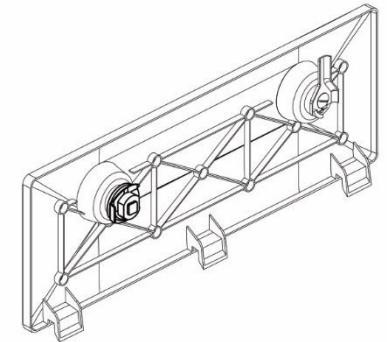
Screw Driver, Power Drill with 5  
MM drill bit, 11MM Socket



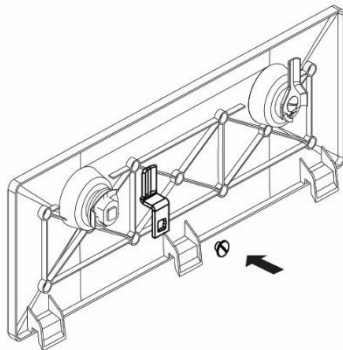
**1.**  
Unscrew the knob and the cam.



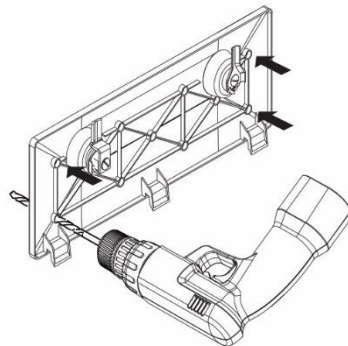
**2.**  
Insert the lock from the front, the lock washer from the rear and the lock clip from the side.



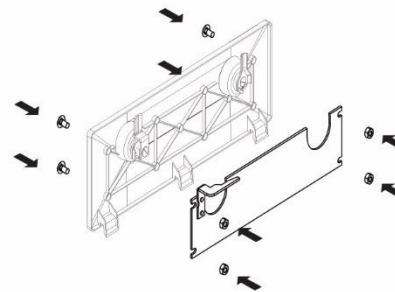
**3.**  
Push the lock clip in fully to hold the lock and washer in place.



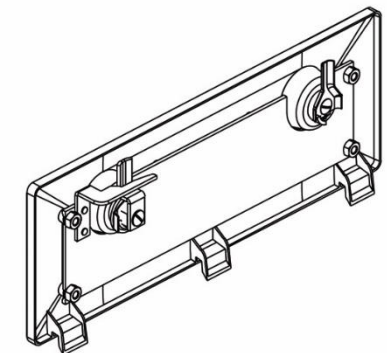
**4.**  
Mount the lock cam to the lock. Turn the key to check the cam turns freely. You may have to pull the clip slightly for clearance. Make sure cam turns.



**5.**  
Drill four holes through the cover using the corner bosses as guided. **IMPORTANT:** Don't drill through the center bosses.



**6.**  
Insert the 4 carriage bolts from the front and mount the stiffening plate with the four nuts.



**7.**  
Tighten the four nuts and turn the key to check for smooth operation.