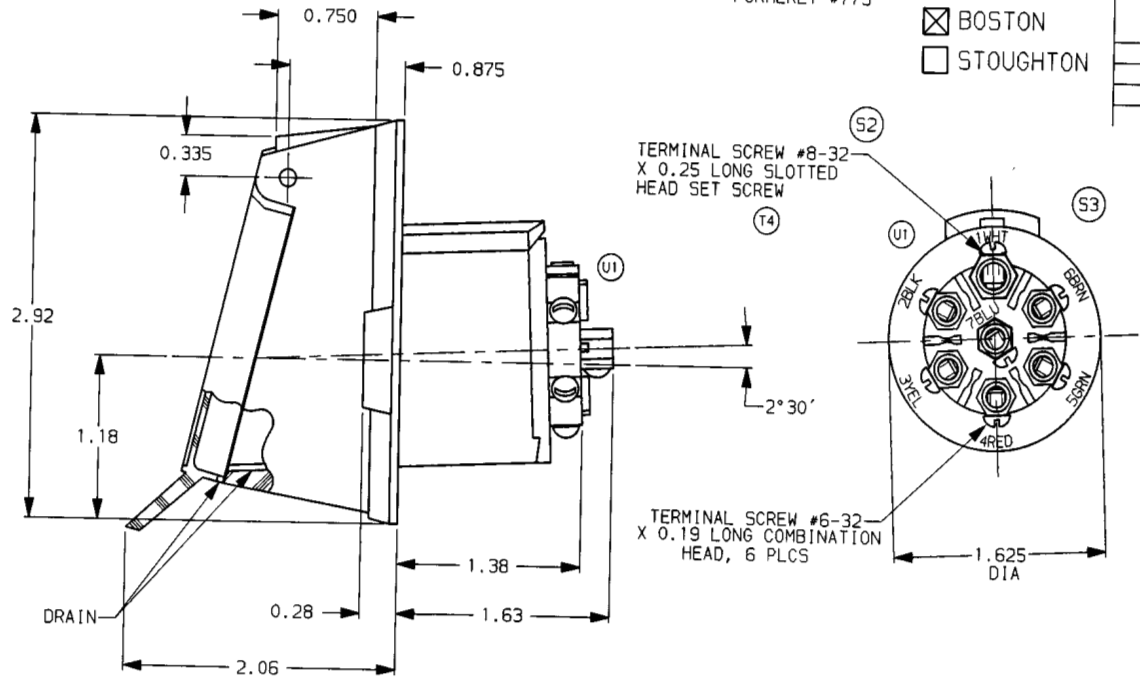
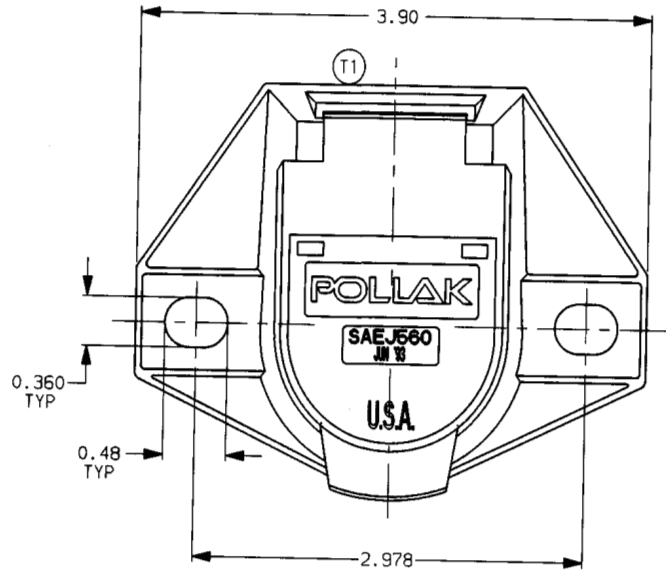


FORMERLY #775

BOSTON
 STOUGHTON

WHERE USED



(S4) (T3)

RECOMMENDED WIRING PER SPECS.
SAE J560

TERMINAL No.	WIRE COLOR	LAMP AND SIGNAL CIRCUITS
1	WHT (white)	GROUND RETURN TO TOWING VEHICLE
2	BLK (black)	CLEARANCE, SIDE MARKER, AND IDENTIFICATION LAMPS
3	YEL (yellow)	LEFT TURN SIGNAL AND HAZARD LAMPS
4	RED (red)	STOP LAMPS & ANTILOCK DEVICES
5	GRN (green)	RIGHT TURN SIGNAL AND HAZARD LAMPS
6	BRN (brown)	TAIL AND LICENSE PLATE LAMPS
7	BLU (blue)	AUXILIARY

NOTES:

- (S1) 1. SIX (6) CIRCUIT TERMINALS #2 THRU #7 ACCEPT #10 GA WIRE. #1 GROUND ACCEPTS #8 GA WIRE.
- (T2) 2. MALE TERMINALS, SOLID PIN TYPE.
- 3. SOCKET IS CONNECTED TO GROUND TERMINAL (#1) INTERNALLY.
- 4. ELECTRICAL RATING:
40 AMPS CONTINUOUS DUTY AT 6-28 VOLTS D.C.
- 5. MEETS SAE J560 STANDARD FOR INTERCHANGEABILITY.
- 6. RECOMMENDED TERMINAL SCREW TORQUE IS 2.5 - 6.5 IN/LBS (0.28 - 0.73 Nm)
- 7. RECOMMENDED MOUNTING HOLE: 2.00 DIA.
- 8. MATERIALS:
SHELL & COVER - ZINC DIE CAST
TERMINALS - BRASS
SPRING - STAINLESS STEEL
MOLDED PLUG - DELRIN (BLACK)
ALL OTHER HARDWARE - PLATED STEEL

(V2)

DESIGNED BY LJC	DRAWN BY LIZ	CHECKED BY <i>PW</i>	APPROVED BY	SCALE 1:1	2 PL. DEC. ± .02	3 PL. DEC. ± .005	ANGLES ± 1°	DATE 4-4-91
THIS DOCUMENT CONTAINS PROPRIETARY INFORMATION AND SUCH INFORMATION MAY NOT BE DISCLOSED TO OTHERS FOR ANY PURPOSE OR USED FOR MANUFACTURING PURPOSES WITHOUT WRITTEN PERMISSION FROM THE JOSEPH POLLAK CORPORATION.		ECN	REVISIONS-AUTHORIZED-CHANGED-DATE	ECN	REVISIONS-AUTHORIZED-CHANGED-DATE	MATERIAL	TITLE SOCKET, CONNECTOR 7 CONTACT - 2 HOLE MOUNT	
	14528 S	REVISED & REDRAWN	LIZ 4-4-91					NO. 11-720
	17352 T	MULTIPLE CHANGES, SEE ECO COVER SHT.	CS 10-28-94				REV V	
	17751 U	ADDED RIBS	CS 4/13/95					
	18351 V	1) WAS PLATED BRASS 2) DEL CUST P/N	BG BW 17FEB97					