

Instruction Manual

Be sure to read this instruction manual before installing this speaker.

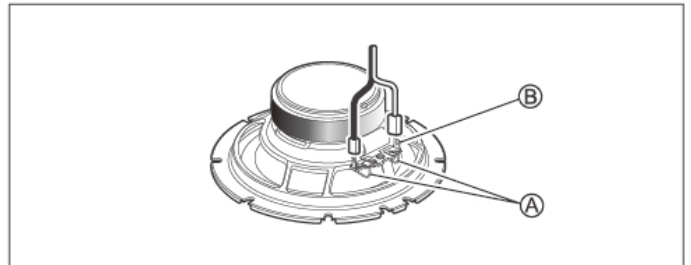
※ U.S. and Canadian models only

⚠ WARNING

Over time, your hearing “comfort level” adapts to higher volumes of sound, so that what sounds “normal” can actually be doing harm. To protect against hearing loss, set your equipment’s volume at a low setting, slowly increase it until you can hear it comfortably and clearly, and leave it there. Do not turn up the volume so high that you can’t hear what’s around you.

⚠ CAUTION

1. Do not touch the speaker flexible wire ㉔.
2. Do not use the speaker independently. To avoid breakage, be sure to use the specified network.
3. Do not change the direction of the speaker terminal assembly ㉕.
4. Make sure lead and speaker terminals do not contact metal.
5. When making connections, refer also to the instruction manual of the car stereo used.

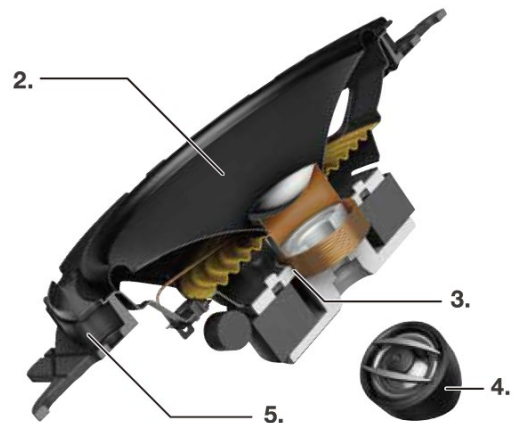


A-series sound design delivers better car-music-life

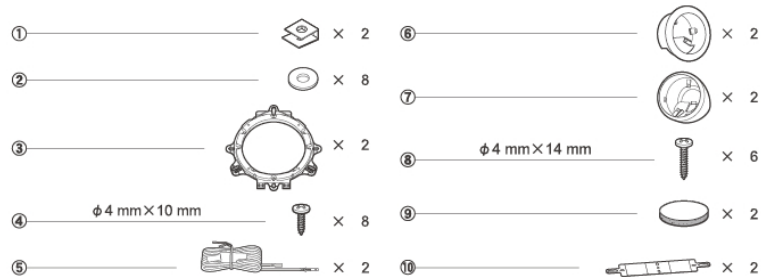
- Powerful and well controlled bass
- High sensitivity and Wide dynamic range
- Clarity of vocal

● FEATURES

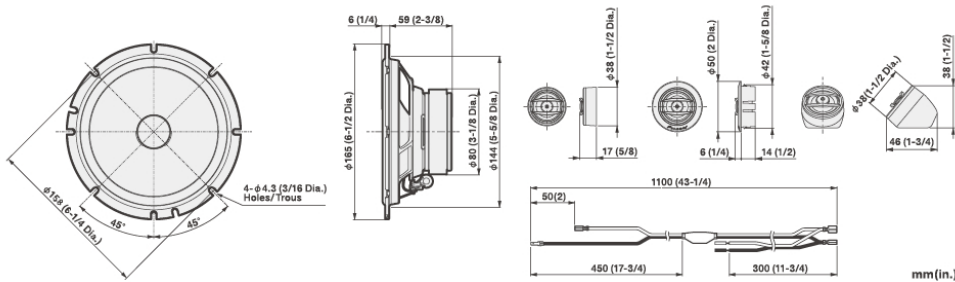
1. OPEN and SMOOTH delivers smooth frequency response and an expansive soundstage
2. Carbon and Mica reinforced IMPP cone provides fast response and solid bass
3. Optimized symmetrical motor design reproduces accurate sound
4. Polyimide (PI) tweeter diaphragm provides natural and clear vocal
5. Multi-fit adaptors expand installation flexibility and improve acoustic performance



● PARTS INCLUDED



● DIMENSIONS



CarSoundFit
Car Sound Simulator Application for more in-car sound experience.

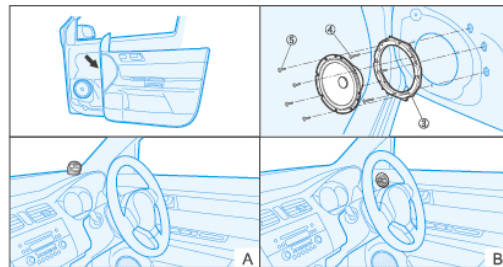
Download on the **App Store**

GET IT ON **Google Play**

● EXAMPLE OF COVERAGE

MAKE / FAIRE	MODEL / MODÈLE
AUDI	A3
CHEVROLET	EQUINOX / CRUZE
CITROEN	C1
FORD	FUSION / FIESTA
HONDA	CIVIC
HYUNDAI	CRETA / Tucson
MARUTI SUZUKI	BALENO / VITARA BREZZA
NISSAN	ROGUE / QASHQAI
OPEL	ASTRA / CORSA
PEUGEOT	208 / 308
RENAULT	CAPTUR / CLIO
SEAT	LEON
ŠKODA	OCTAVIA
TOYOTA	RAV4 / 4RUNNER
VOLKSWAGEN	GOLF Mk7 / Tiguan

● HOW TO INSTALL



● Installation Fitting Guide

To find more information for various vehicles and adaptor compatibility

● SPECIFICATIONS

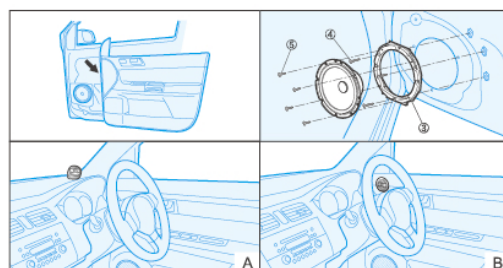
- Reproduction system Separate two way
- Speaker specifications
 - Woofer ϕ 165 mm (6-1/2" dia.)
 - Tweeter ϕ 20 mm (13/16" dia.)
- Continuous power handling (RMS) 80 W
- Maximum music power 350 W
- Sensitivity 85 dB (1 W/1 m)
91 dB (1 W/0.5 m)
- Frequency response 34 Hz to 49 kHz (-20 dB)
- Nominal impedance 4 Ω
- Cutout diameter ϕ 144 mm (5-5/8" dia.)



● EXAMPLE OF COVERAGE

MAKE / FAIRE	MODEL / MODÈLE
AUDI	A3
CHEVROLET	EQUINOX / CRUZE
CITROEN	C1
FORD	FUSION / FIESTA
HONDA	CIVIC
HYUNDAI	CRETA / Tucson
MARUTI SUZUKI	BALENO / VITARA BREZZA
NISSAN	ROGUE / QASHQAI
OPEL	ASTRA / CORSA
PEUGEOT	208 / 308
RENAULT	CAPTUR / CLIO
SEAT	LEON
ŠKODA	OCTAVIA
TOYOTA	RAV4 / 4RUNNER
VOLKSWAGEN	GOLF Mk7 / Tiguan

● HOW TO INSTALL



● Installation Fitting Guide

To find more information for various vehicles and adaptor compatibility