

# PILOT

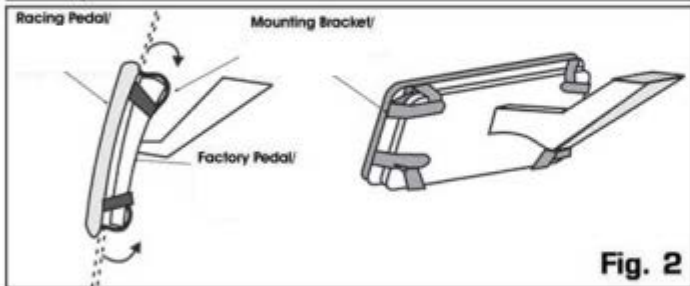
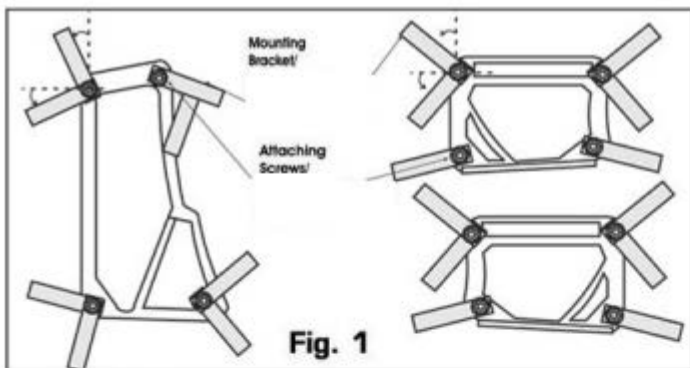
**Warning: Before Installation:** Park the car safely; take the key out of the ignition; apply the parking brake.

**After Installation:** Check the pedals' mechanism periodically to insure that the pedal is secure and fits properly.

- 1** Attach the mounting brackets to the mounting locations on the racing pedals, adjust the brackets according to the size and shape of the factory pedals, and then firmly tighten the screws to the brackets. (Fig. 1)

- 2** Center the racing pedals directly on the top of the factory pedals. Bend all the brackets on the racing pedal so that they clamp on to the rear side of the factory pedal. (Fig. 2)

- 3** Step on the pedals to test the fit. The racing pedal should have no movement against the factory pedal and should move as one unit.



**Warning:** Do not operate vehicle barefoot or with slippers. Pedals have sharp edges that could cause injury to foot.