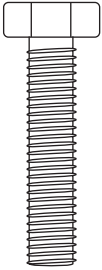


Before installation, review the parts list and assembly images below to verify that all parts are included.
Read instructions carefully and make sure you understand completely before proceeding.

M5 x 40mm
Hex Bolt



4x **A**

M12 x 25mm
Hex Bolt



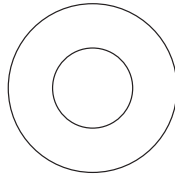
4x **B**

M10 x 15mm
Setscrew



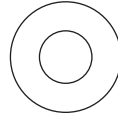
2x **C**

M12
Washer



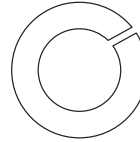
4x **D**

M5
Washer



4x **E**

M12
Lock Washer



4x **F**

M5
Lock Washer



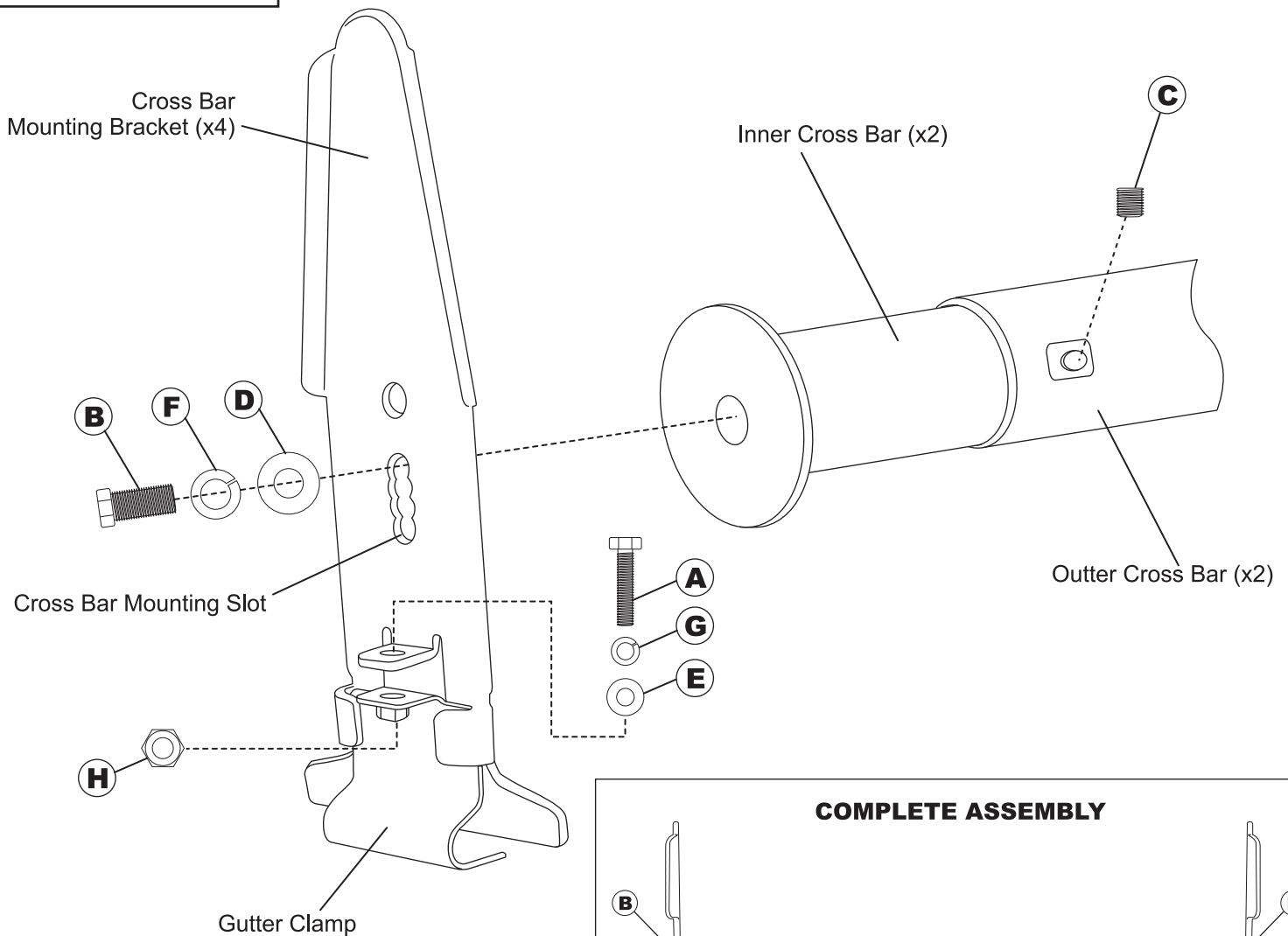
4x **G**

M5
Hex Nut

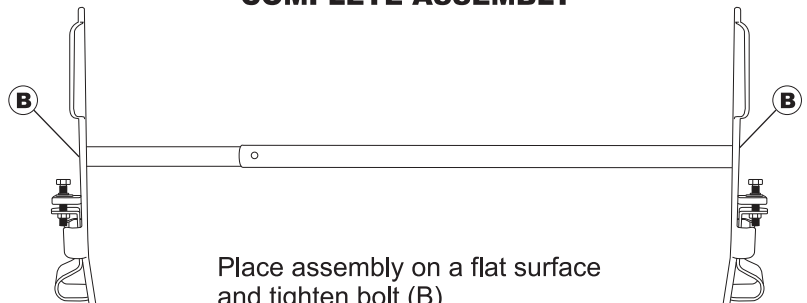


4x **H**

ASSEMBLY DRAWING



COMPLETE ASSEMBLY

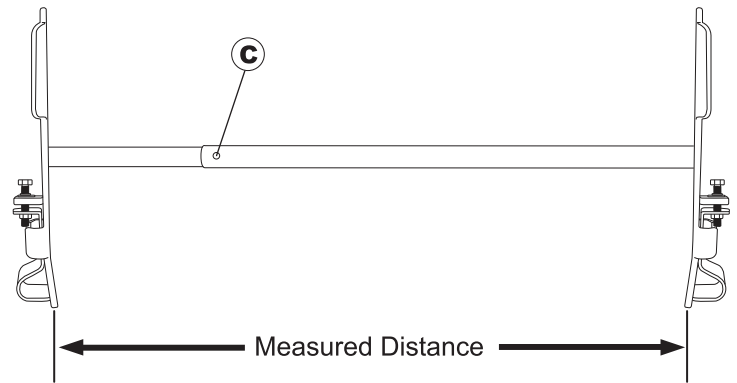
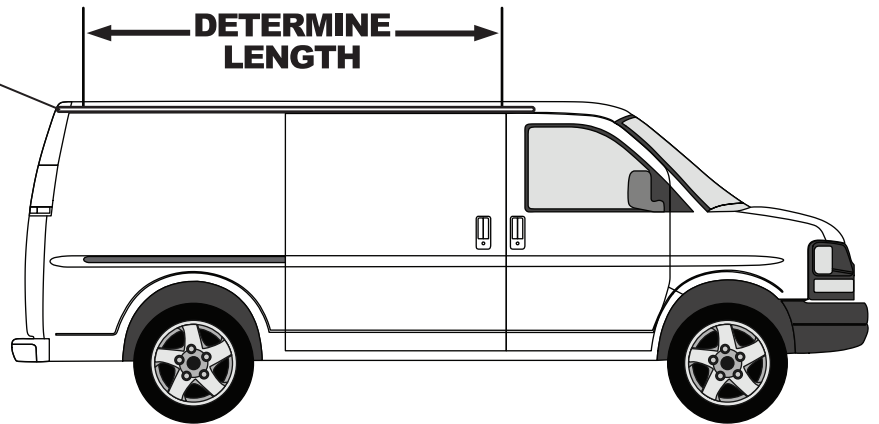
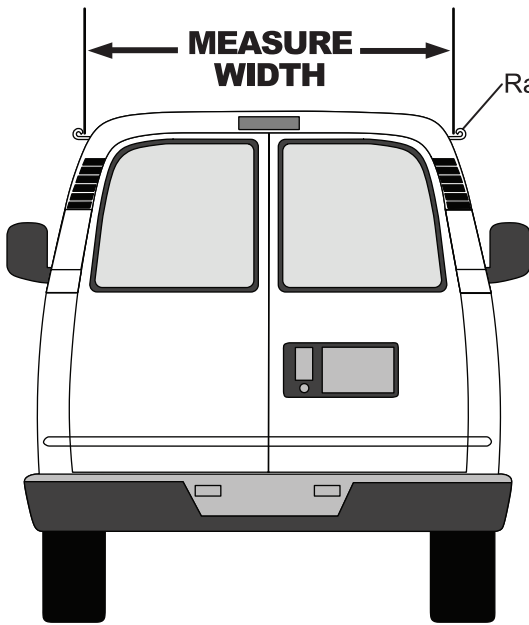


Place assembly on a flat surface and tighten bolt (B).

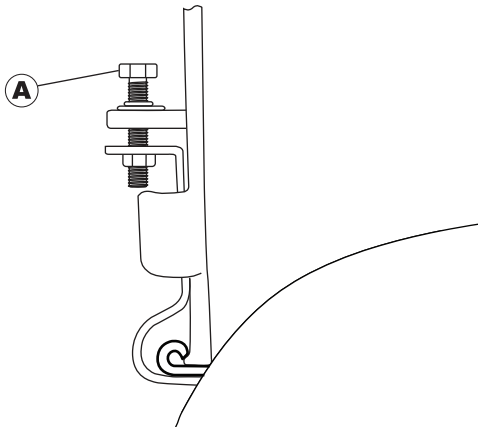
NOTE: Do not tighten Set Screw (C) until bar has been properly positioned on the vehicle.

STEP 1: Determine Width and Length.

NOTE: Length will be determined by the shortest item you will be carrying.



STEP 2: Placement of gutter clamp.



STEP 3: Once bar has been properly positioned, tighten, in the following order; C and then A.

STEP 4: Check to make sure racks are secured by forcefully moving them back and forth.



Do Not Exceed 500-lbs Load Capacity